



US00D651309S

(12) **United States Design Patent**
Rowe et al.

(10) **Patent No.:** **US D651,309 S**

(45) **Date of Patent:** **** Dec. 27, 2011**

(54) **SYRINGE CLIP FOR HOLDING A NEEDLE AND SYRINGE ASSEMBLY**

D594,118 S * 6/2009 Bergstraesser et al. D24/133
2002/0198499 A1 * 12/2002 Hu 604/218
2004/0116863 A1 * 6/2004 Yang et al. 604/164.01
2009/0270814 A1 10/2009 Masi et al.

(75) Inventors: **Shaneen L. Rowe**, Port Hueneme, CA (US); **Lawrence Y. Wissman**, Santa Barbara, CA (US)

OTHER PUBLICATIONS

U.S. Appl. No. 61/009,122, filed Jan. 18, 2008.
U.S. Appl. No. 61/004,467, filed Dec. 27, 2007.

(73) Assignee: **Ethicon, Inc.**, Somerville, NJ (US)

* cited by examiner

(**) Term: **14 Years**

Primary Examiner — T. Chase Nelson

(21) Appl. No.: **29/358,687**

Assistant Examiner — Eric Goodman

(22) Filed: **Mar. 31, 2010**

(51) **LOC (9) Cl.** **24-02**

(57) **CLAIM**

(52) **U.S. Cl.** **D24/130**

The ornamental design for a syringe clip for holding a needle and syringe assembly, as shown and described.

(58) **Field of Classification Search** D24/130,
D24/112; 604/220, 231, 232, 187, 218, 195,
604/227

See application file for complete search history.

DESCRIPTION

(56) **References Cited**

FIG. 1 is a front view of a syringe clip for use in conjunction with a needle and syringe assembly showing the new design; FIG. 2 is a side view thereof; and FIG. 3 is a perspective view of the syringe clip of FIG. 1 with the living hinge in an open position, and having a needle and syringe assembly coupled thereto; and, FIG. 4 is a perspective view of the syringe clip of FIG. 1 with the living hinge in a closed position, and having a needle and syringe assembly coupled thereto. The broken lines illustrated in FIGS. 1, 3 and 4 are shown for the purpose of illustrating environment or portions of the article and form no part of the claimed design.

U.S. PATENT DOCUMENTS

2,956,563	A *	10/1960	Sarnoff	604/232
3,076,455	A *	2/1963	McConnaughey et al.	...	604/232
4,643,724	A *	2/1987	Jobe	604/232
4,931,040	A *	6/1990	Haber et al.	604/110
5,300,038	A *	4/1994	Haber et al.	604/187
5,350,367	A *	9/1994	Stiehl et al.	604/232
5,368,578	A *	11/1994	Covington et al.	604/232
5,667,495	A *	9/1997	Bitdinger et al.	604/220
5,700,247	A *	12/1997	Grimard et al.	604/220
5,891,104	A *	4/1999	Shonfeld et al.	604/195
5,925,032	A *	7/1999	Clements	
6,036,675	A *	3/2000	Thorne et al.	604/232
D434,850	S	12/2000	Balestracci	

1 Claim, 4 Drawing Sheets

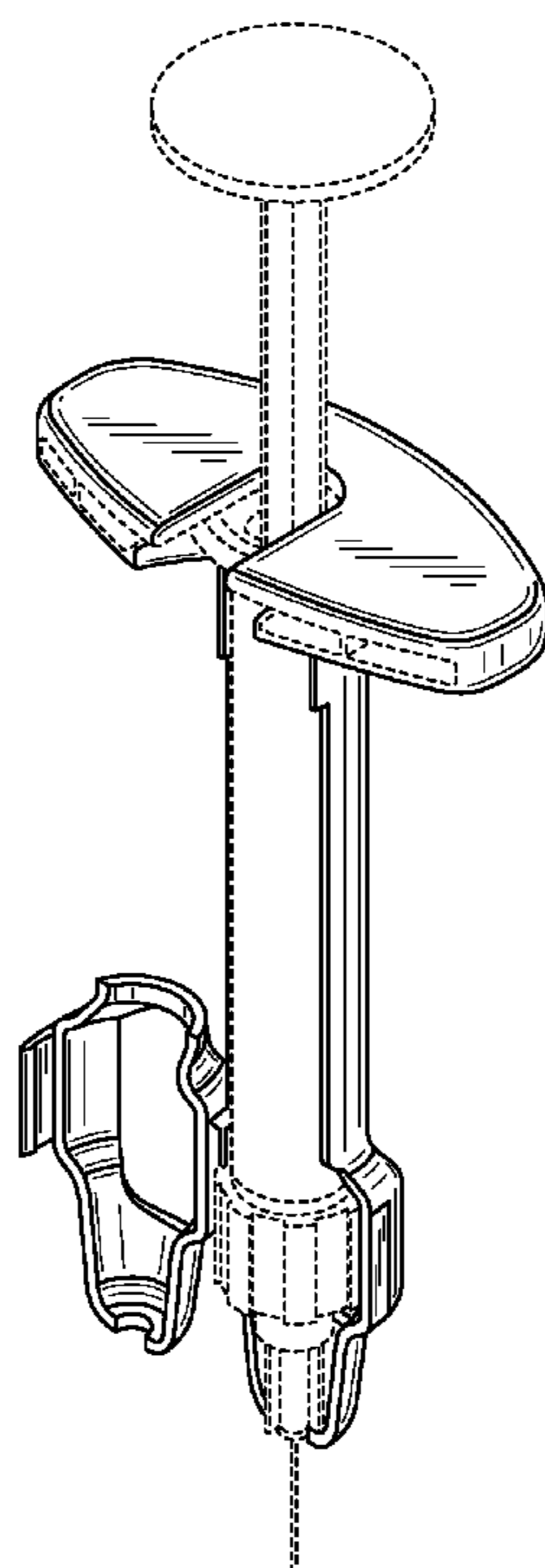


FIG. 1

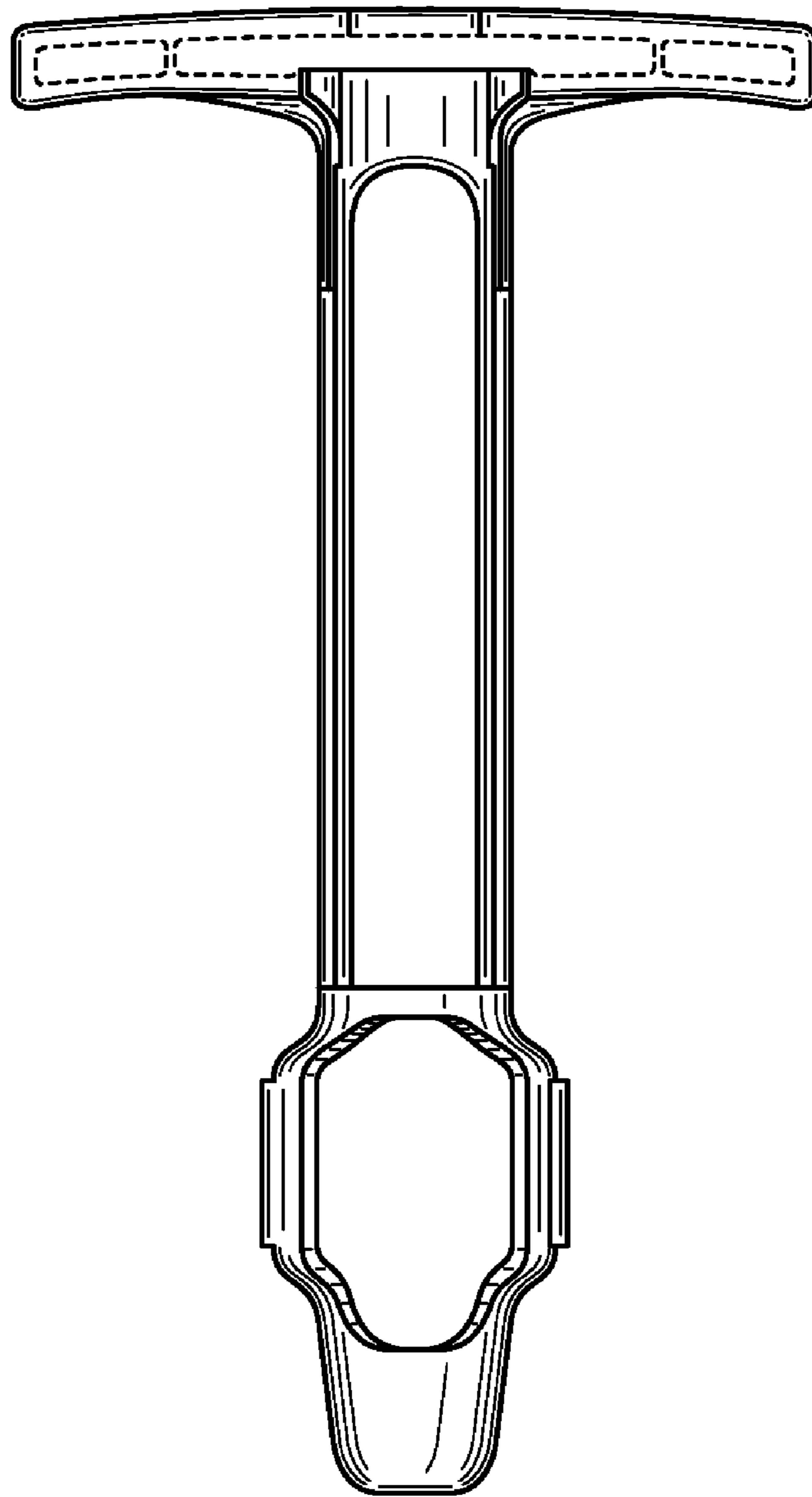


FIG. 2

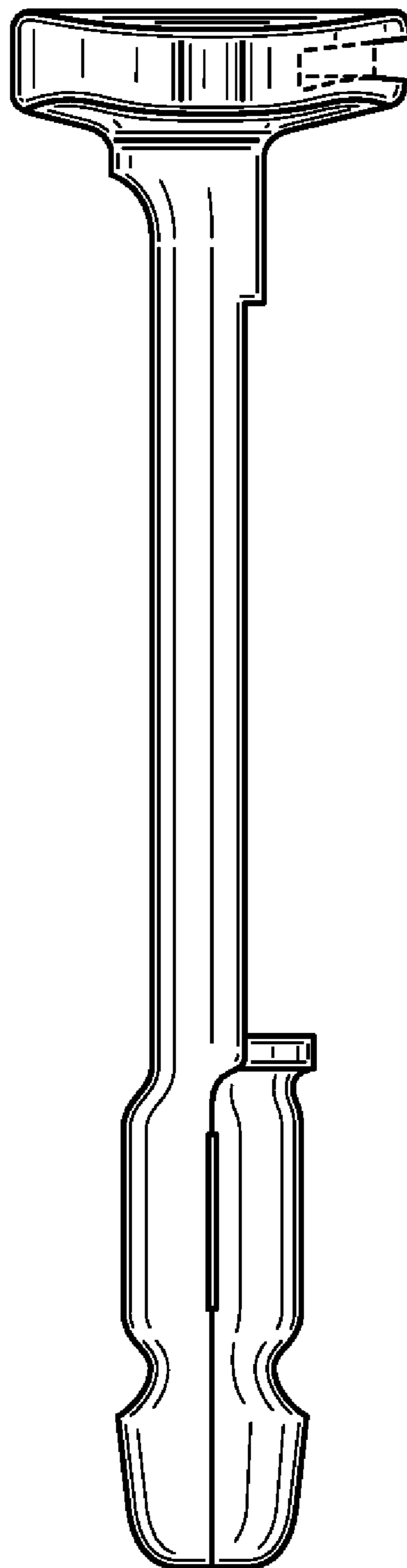


FIG. 3

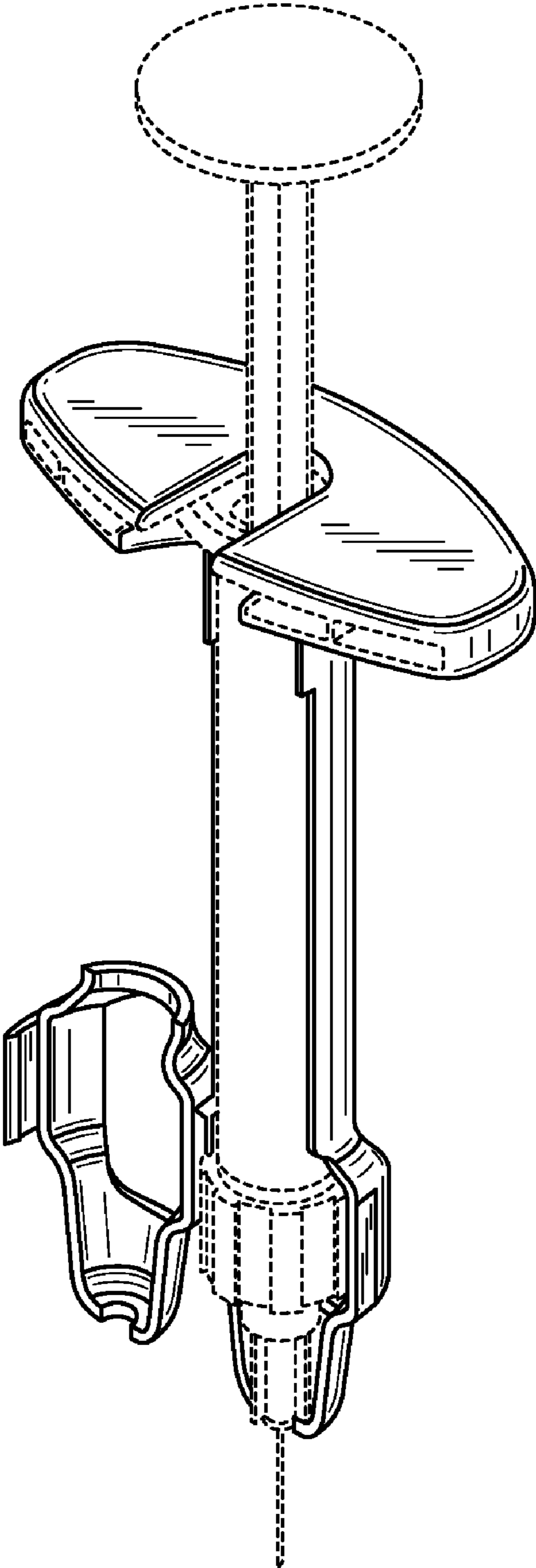


FIG. 4

