



US00D651308S

(12) **United States Design Patent**  
**Crawford et al.**

(10) **Patent No.:** **US D651,308 S**

(45) **Date of Patent:** **\*\* Dec. 27, 2011**

(54) **SAFETY BLOOD COLLECTION ASSEMBLY**

(75) Inventors: **Jamieson W. Crawford**, Demarest, NJ (US); **Bradley M. Wilkinson**, North Haledon, NJ (US); **Robert G. Ellis**, Wayne, NJ (US)

(73) Assignee: **Becton, Dickinson and Company**, Franklin Lakes, NJ (US)

(\*\*) Term: **14 Years**

(21) Appl. No.: **29/356,211**

(22) Filed: **Feb. 22, 2010**

**Related U.S. Application Data**

(63) Continuation-in-part of application No. 12/044,469, filed on Mar. 7, 2008.

(51) **LOC (9) Cl.** ..... **24-02**

(52) **U.S. Cl.** ..... **D24/130**

(58) **Field of Classification Search** ..... D24/112, D24/130, 113, 146; 604/110, 192, 195-196, 604/198, 410, 576-578, 583; 263/363-365  
See application file for complete search history.

(56) **References Cited**

**U.S. PATENT DOCUMENTS**

4,573,976 A	3/1986	Sampson et al.
4,641,663 A	2/1987	Juhn
4,795,443 A	1/1989	Permenter et al.
4,840,619 A	6/1989	Hughes
4,894,055 A	1/1990	Sudnak
4,900,307 A	2/1990	Kulli
4,994,046 A	2/1991	Wesson et al.
5,015,241 A	5/1991	Feimer
5,215,534 A	6/1993	De Harde et al.
5,222,502 A	6/1993	Kurose
5,242,417 A	9/1993	Paudler
5,303,713 A	4/1994	Kurose
5,312,372 A	5/1994	DeHarde et al.
5,336,199 A	8/1994	Castillo et al.

5,348,544 A	9/1994	Sweeney et al.
5,356,392 A	10/1994	Firth et al.
5,411,492 A	5/1995	Sturman et al.
5,466,223 A	11/1995	Bressler et al.
5,501,675 A	3/1996	Erskine
5,672,161 A	9/1997	Allen et al.
5,676,658 A	10/1997	Erskine
5,702,369 A	12/1997	Mercereau
5,704,920 A	1/1998	Gyure
5,755,522 A	5/1998	Ito
5,984,899 A	11/1999	D'Alessio et al.
D422,700 S	4/2000	Crawford et al.
6,149,629 A	11/2000	Wilson et al.
D436,169 S	1/2001	Wilkinson et al.
D439,975 S	4/2001	Wilkinson et al.

(Continued)

*Primary Examiner* — T. Chase Nelson

*Assistant Examiner* — Eric Goodman

(74) *Attorney, Agent, or Firm* — David M. Fortunato; The Webb Law Firm

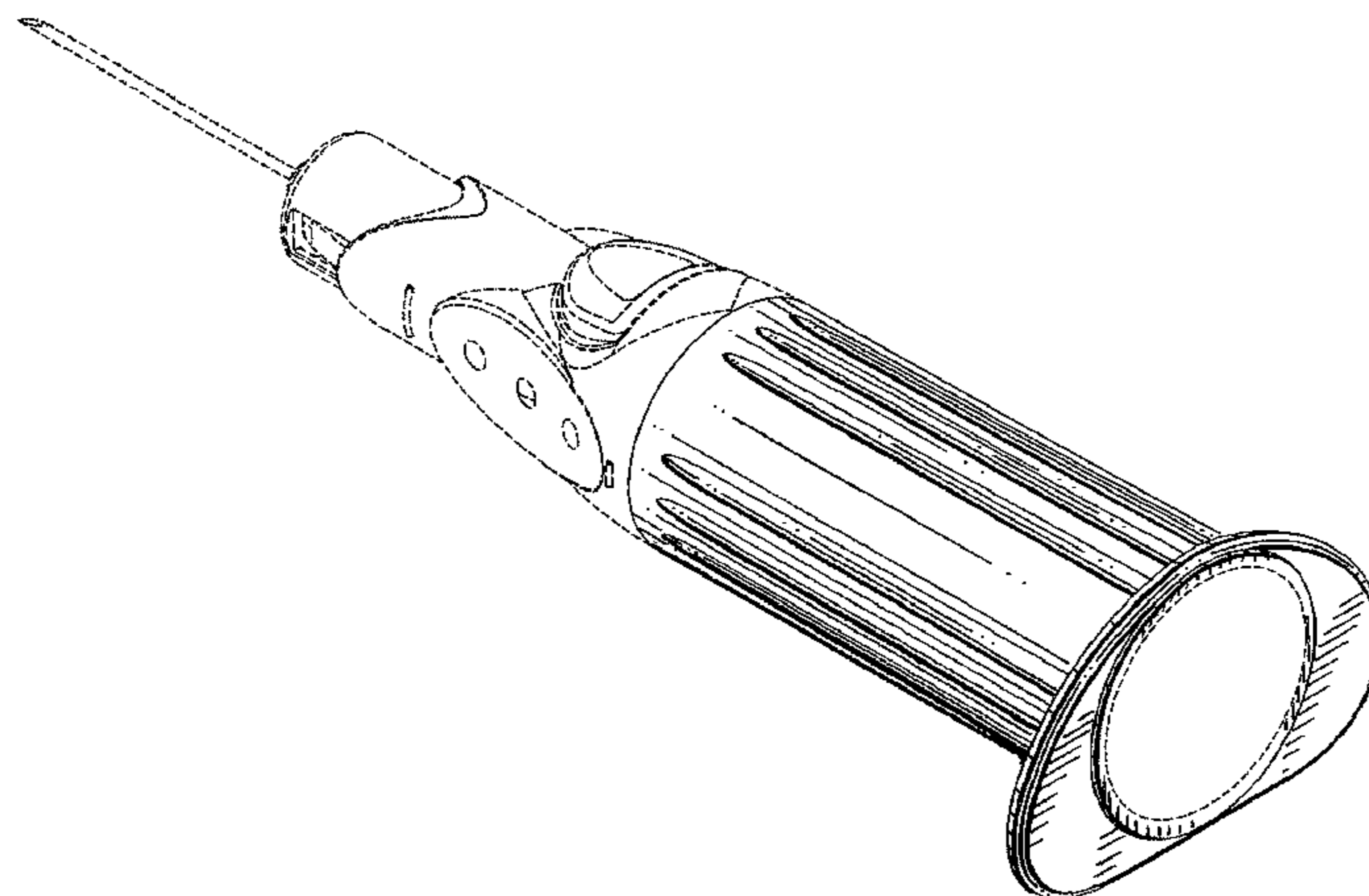
(57) **CLAIM**

The ornamental design for a safety blood collection assembly, as shown and described.

**DESCRIPTION**

FIG. 1 is a perspective view of a tube holder of a safety blood collection assembly;  
FIG. 2 is a top view of the tube holder of the safety blood collection assembly of FIG. 1;  
FIG. 3 is a left side view of the tube holder of the safety blood collection assembly of FIG. 1;  
FIG. 4 is a front view of the tube holder of the safety blood collection assembly of FIG. 1;  
FIG. 5 is a rear view of the tube holder of the safety blood collection assembly of FIG. 1;  
FIG. 6 is a right side view of the tube holder of the safety blood collection assembly of FIG. 1; and,  
FIG. 7 is a bottom view of the tube holder of the safety blood collection assembly of FIG. 1.

**1 Claim, 4 Drawing Sheets**



# US D651,308 S

U.S. PATENT DOCUMENTS						
			7,201,740	B2	4/2007	Crawford
D440,657	S	4/2001	7,223,258	B2	5/2007	Crawford
D442,280	S	5/2001	7,428,773	B2	9/2008	Newby et al.
D445,183	S	7/2001	7,524,308	B2 *	4/2009	Conway ..... 604/192
6,261,263	B1	7/2001	D604,836	S	11/2009	Crawford et al.
6,298,541	B1	10/2001	D604,837	S	11/2009	Crawford et al.
D450,834	S	11/2001	D604,838	S	11/2009	Crawford et al.
D460,180	S	7/2002	D604,839	S	11/2009	Crawford et al.
D460,183	S	7/2002	D605,287	S	12/2009	Crawford et al.
D461,245	S	8/2002	7,670,318	B2 *	3/2010	Alesi et al. .... 604/181
6,436,086	B1	8/2002	7,722,572	B2 *	5/2010	Sprinkle et al. .... 604/192
6,440,104	B1	8/2002	D616,985	S *	6/2010	Ade et al. .... D24/130
6,524,276	B1	2/2003	7,762,987	B2 *	7/2010	Wu ..... 604/110
6,533,760	B2	3/2003	2002/0193748	A1	12/2002	Cocker et al.
6,592,556	B1	7/2003	2003/0093009	A1	5/2003	Newby et al.
6,623,456	B1	9/2003	2004/0010228	A1	1/2004	Swenson et al.
6,635,032	B2	10/2003	2004/0059302	A1	3/2004	Crawford et al.
6,648,855	B2	11/2003	2004/0092872	A1	5/2004	Botich et al.
D484,976	S	1/2004	2004/0111057	A1	6/2004	Wilkinson
6,699,217	B2	3/2004	2004/0193120	A1	9/2004	Ferguson et al.
6,712,792	B2	3/2004	2004/0210197	A1	10/2004	Conway
6,780,169	B2	8/2004	2005/0004524	A1	1/2005	Newby et al.
6,837,877	B2	1/2005	2005/0187493	A1	8/2005	Swenson et al.
6,869,415	B2	3/2005	2005/0215951	A1	9/2005	Saulenas et al.
6,905,483	B2	6/2005	2006/0036219	A1	2/2006	Alvin
6,949,086	B2	9/2005	2007/0167914	A1	7/2007	Leong et al.
6,984,223	B2	1/2006	2007/0179451	A1	8/2007	Sprinkle et al.
6,997,913	B2	2/2006	2007/0282275	A1	12/2007	Ferguson et al.
7,001,363	B2	2/2006	2008/0319345	A1	12/2008	Swenson
7,041,066	B2	5/2006	2008/0319346	A1	12/2008	Crawford et al.
7,063,673	B2	6/2006	2009/0093760	A1 *	4/2009	Kiehne ..... 604/110
7,128,726	B2	10/2006	2009/0118676	A1 *	5/2009	Emmott et al. .... 604/195
7,147,624	B2	12/2006	2009/0204026	A1	8/2009	Crawford et al.
7,163,526	B2	1/2007	2009/0227896	A1	9/2009	Tan et al.
7,182,734	B2	2/2007	2009/0227953	A1	9/2009	Tan et al.
7,198,618	B2	4/2007				

\* cited by examiner

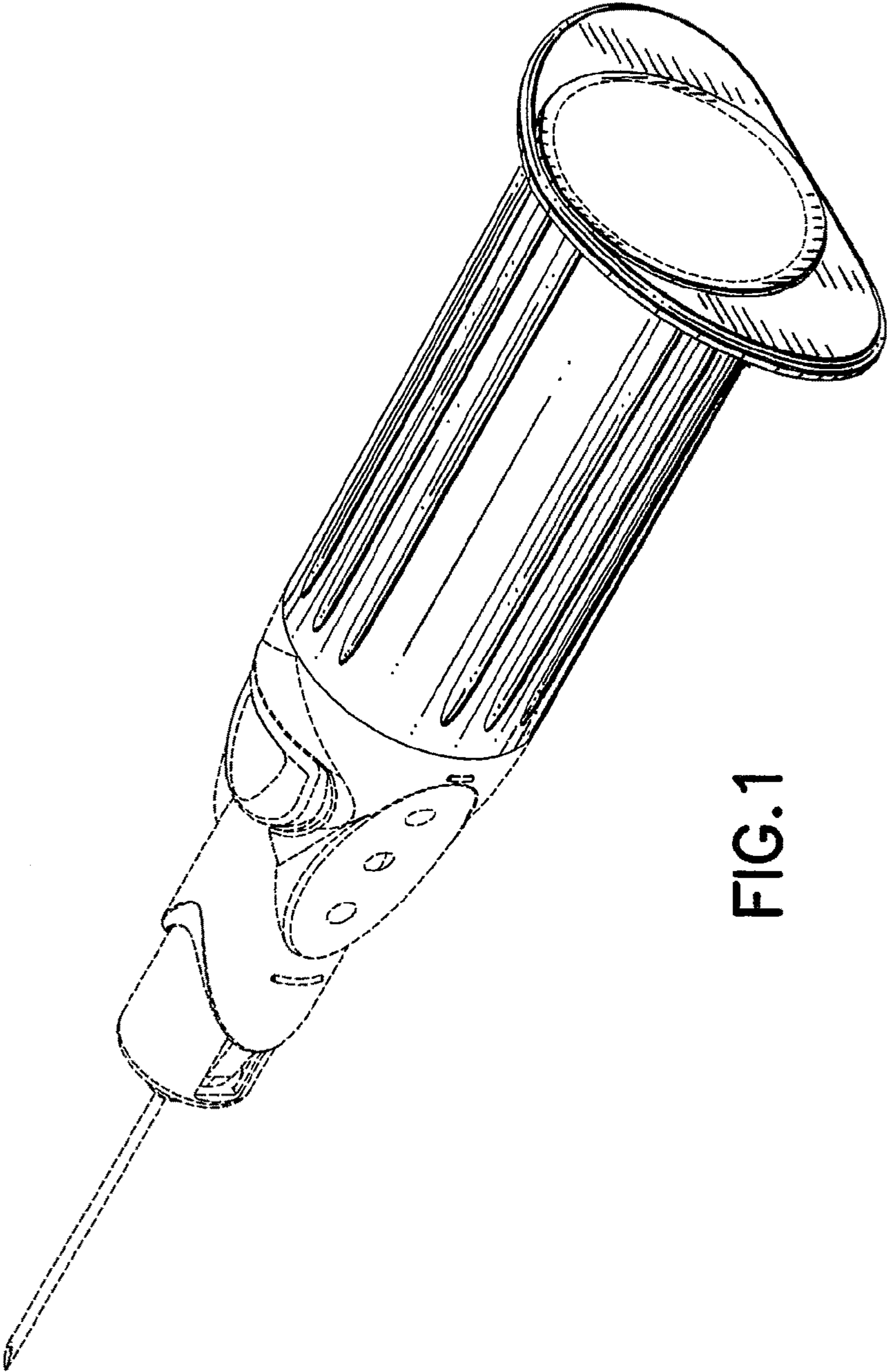


FIG. 1

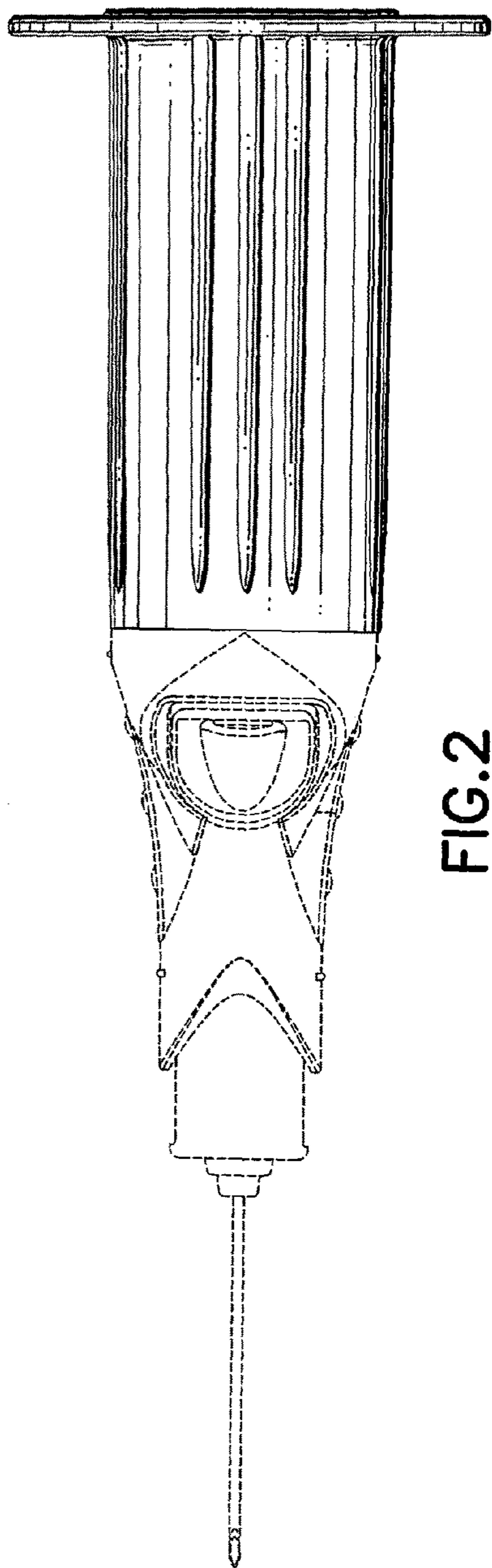


FIG. 2

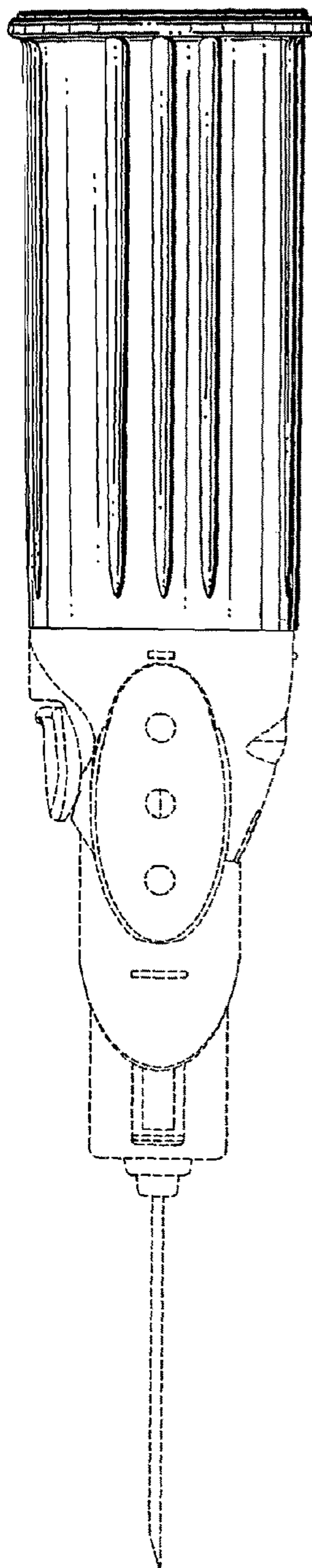


FIG. 3

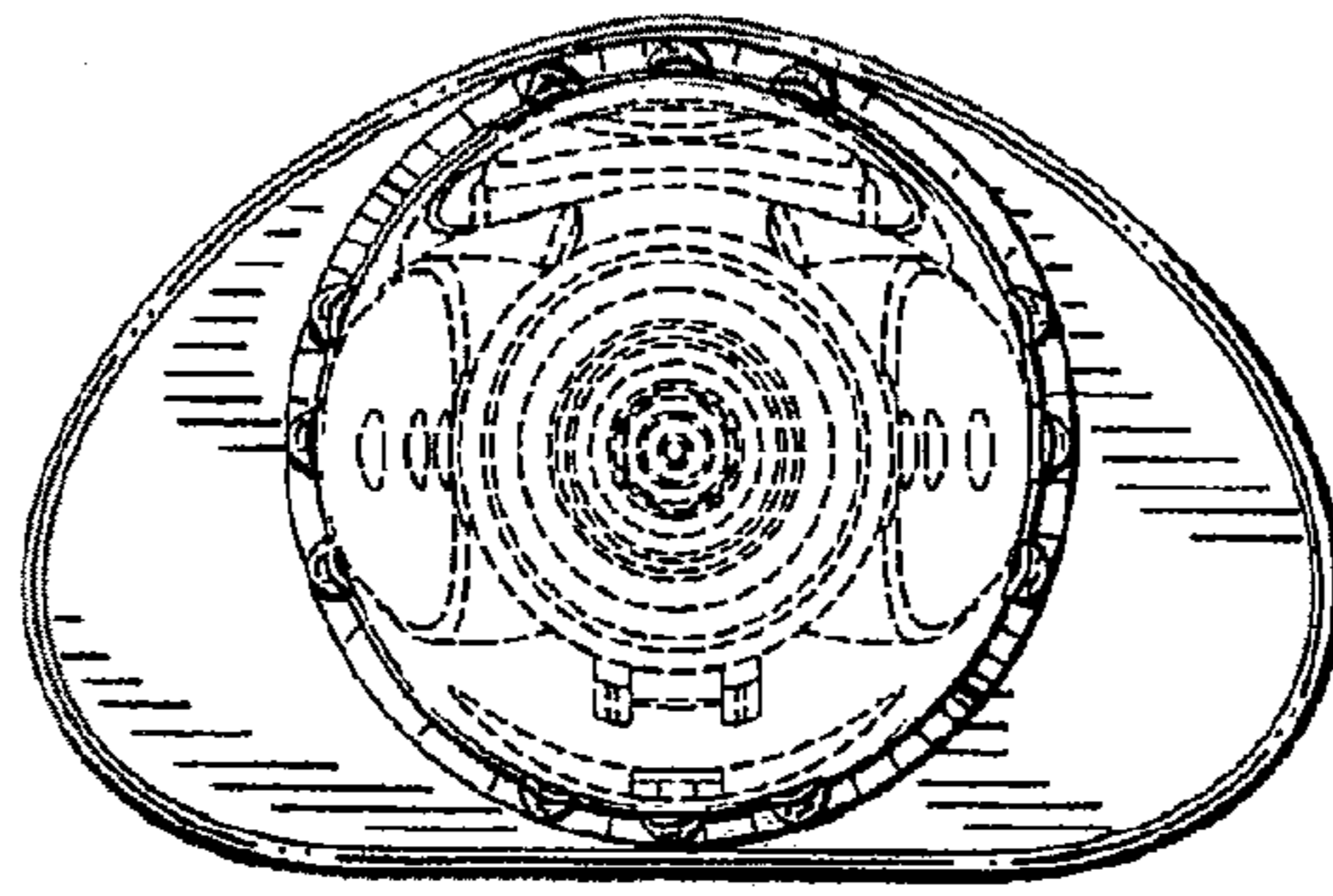


FIG. 4

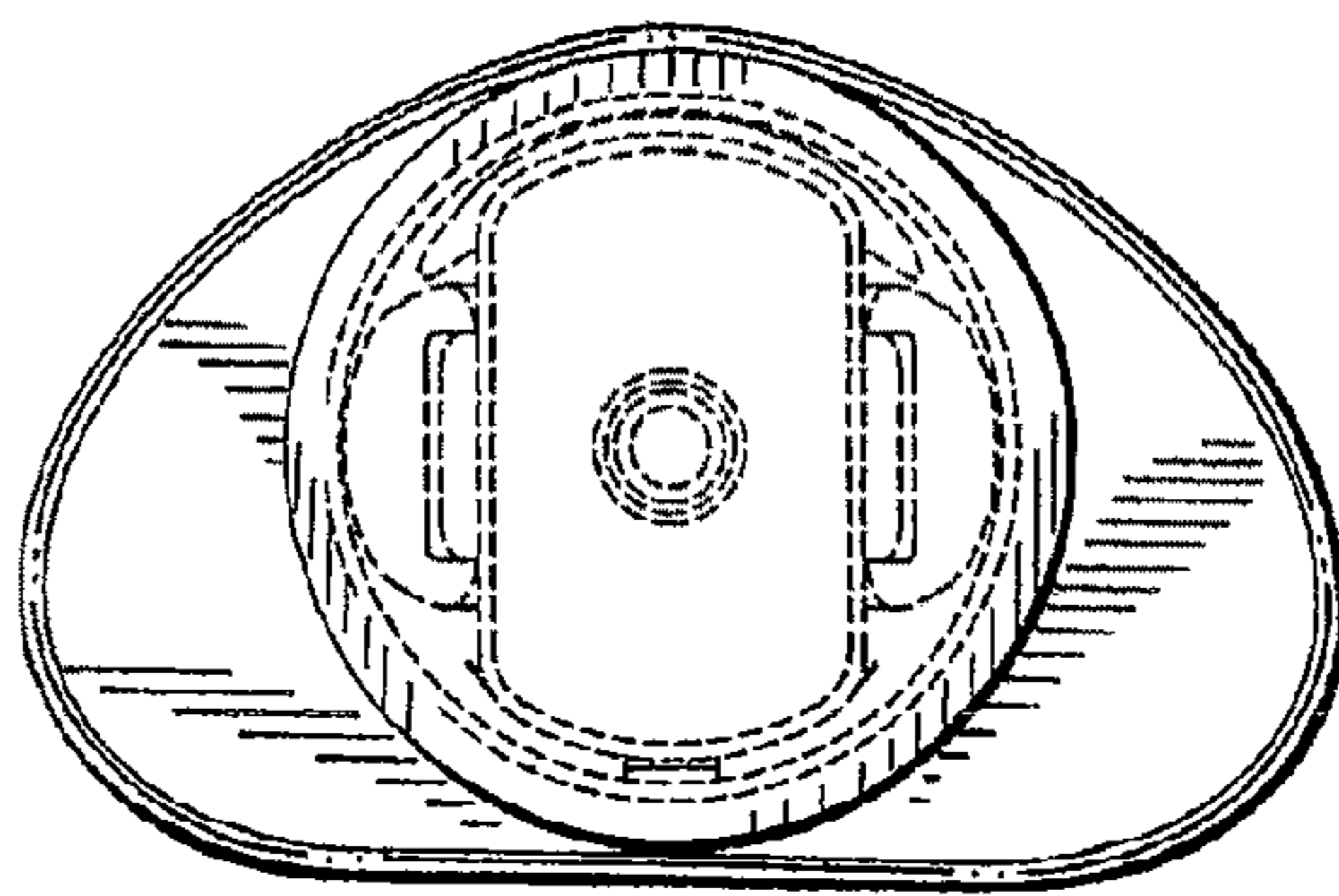


FIG. 5

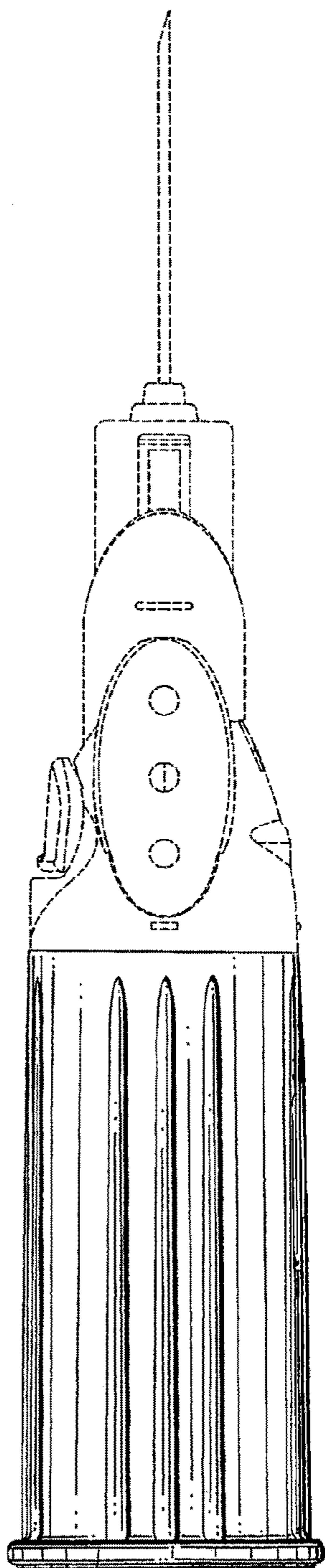


FIG. 6

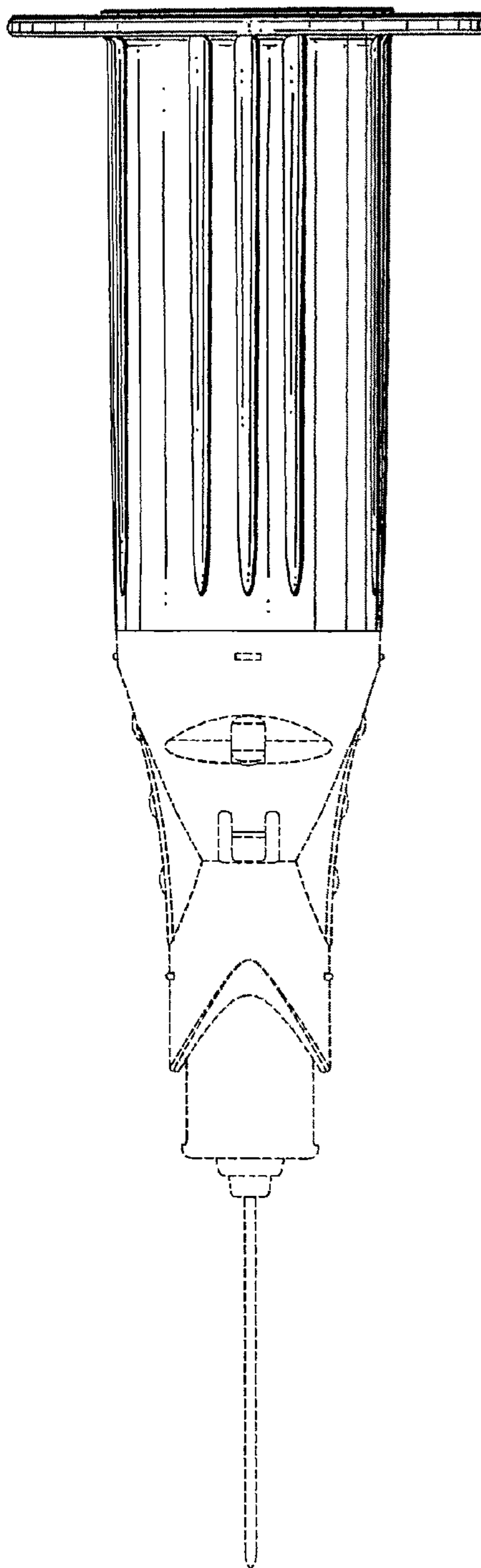


FIG. 7