



US00D651304S

(12) **United States Design Patent**
Edwards et al.

(10) **Patent No.:** **US D651,304 S**
(45) **Date of Patent:** **** Dec. 27, 2011**

- (54) **RESPIRATORY MASK ELBOW**
- (75) Inventors: **Craig David Edwards**, Annandale (AU);
Luke Maguire, Stanmore (AU); **Michiel Kooij**, Amsterdam (NL)
- (73) Assignee: **ResMed Limited**, Bella Vista (AU)
- (**) Term: **14 Years**
- (21) Appl. No.: **29/347,803**
- (22) Filed: **Jun. 8, 2010**

Related U.S. Application Data

- (62) Division of application No. 29/257,532, filed on Apr. 6, 2006, now Pat. No. Des. 619,701.
- (51) **LOC (9) Cl.** **29-02**
- (52) **U.S. Cl.** **D24/110.5**; D24/110.1; D24/110.4; D24/129
- (58) **Field of Classification Search** D24/110.1, D24/110.3-110.5, 129, 164; 128/207.13, 128/206.21, 205.25, 206.15, 205.24, 202.17, 128/204.18, 206.24, 206.27, 912
See application file for complete search history.

(56) **References Cited**

U.S. PATENT DOCUMENTS

- D226,734 S * 4/1973 King D24/110.4
- D322,318 S * 12/1991 Sullivan D24/164
- D333,015 S * 2/1993 Farmer et al. D24/110.4
- 5,657,752 A * 8/1997 Landis et al. 128/207.13
- D428,139 S 7/2000 Smart
- D428,988 S 8/2000 Smart
- D443,355 S 6/2001 Gunaratnam et al.
- 6,374,826 B1 4/2002 Gunaratnam et al.
- D459,800 S 7/2002 Smart
- D464,728 S 10/2002 Paul
- 6,467,483 B1 10/2002 Kopacko
- 6,513,526 B2 2/2003 Kwok
- D476,732 S 7/2003 Smart

- 6,584,977 B1 7/2003 Serowski
- D486,907 S 2/2004 Guney et al.
- 6,691,707 B1 2/2004 Gunaratnam
- D495,797 S 9/2004 Guney et al.
- D496,098 S * 9/2004 Guney et al. D24/110.1
- D498,530 S 11/2004 Smart
- 6,851,425 B2 2/2005 Jaffre
- D506,827 S 6/2005 Jones et al.
- D515,204 S 2/2006 Guney et al.
- D534,274 S 12/2006 Smart
- D535,023 S 1/2007 Smart et al.
- D537,523 S 2/2007 Dantanarayana et al.
- D539,418 S 3/2007 Jones et al.
- D549,322 S 8/2007 Stallard et al.
- D557,408 S 12/2007 Amarasinghe et al.
- D557,411 S 12/2007 Smart et al.
- D560,796 S 1/2008 Jones et al.
- D576,270 S 9/2008 Gunaratnam

(Continued)

OTHER PUBLICATIONS

Edwards et al., Parent U.S. Appl. No. 29/257,532, filed Apr. 6, 2006.
Smart et al., U.S. Appl. No. 29/292,783, filed Oct. 29, 2007.

Primary Examiner — Wan Laymon

(74) *Attorney, Agent, or Firm* — Nixon & Vanderhye P.C.

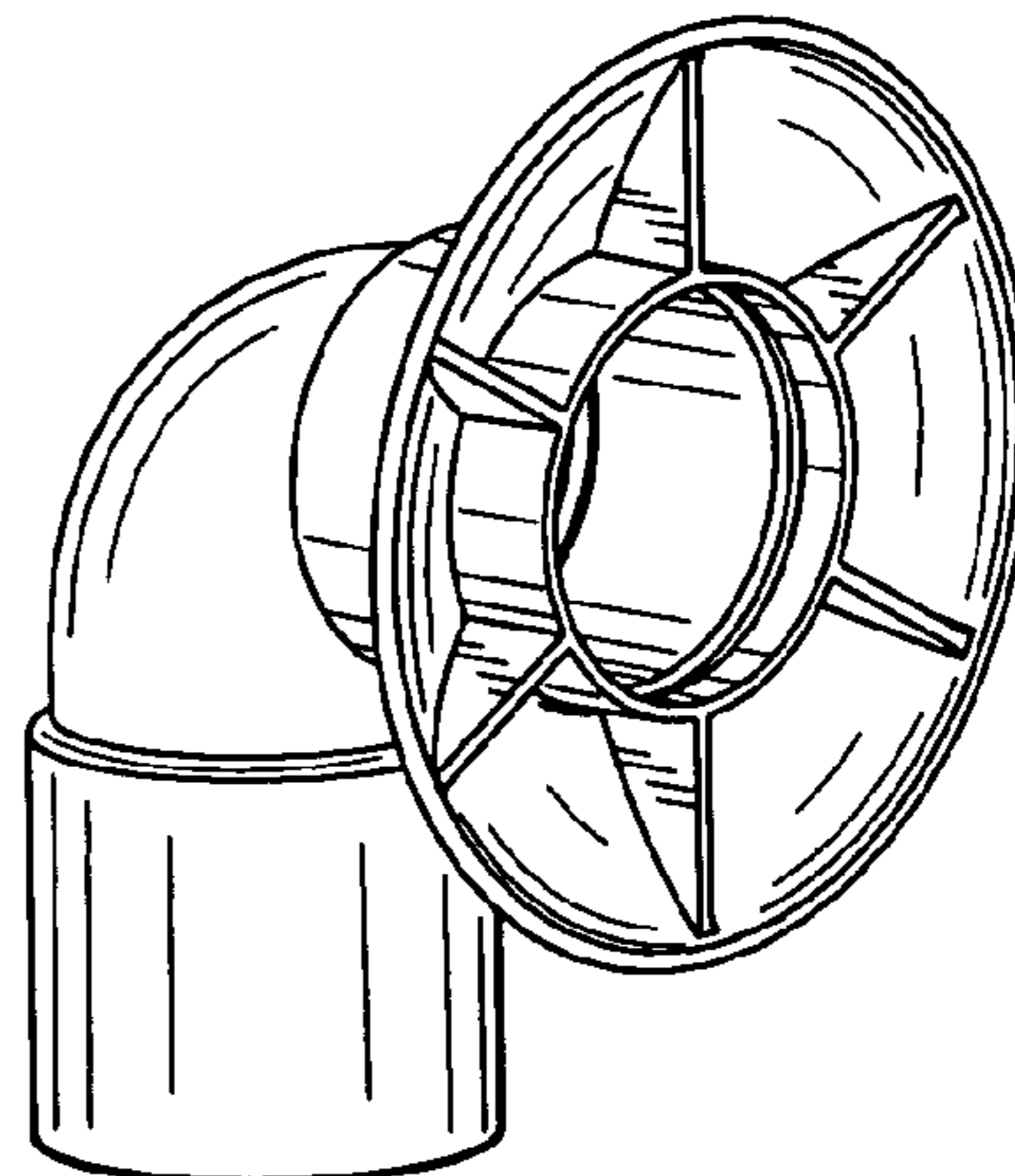
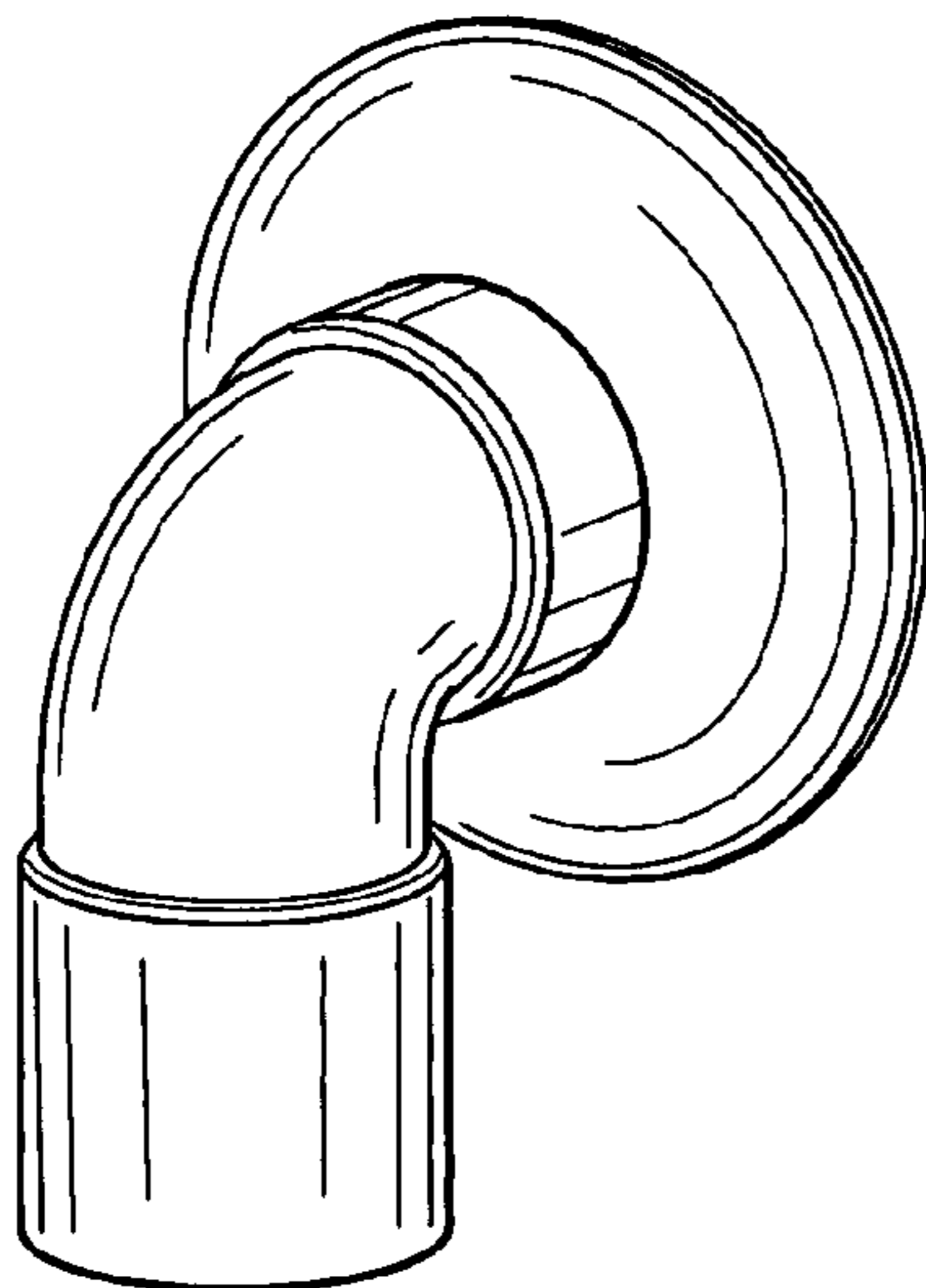
(57) **CLAIM**

The ornamental design for a respiratory mask elbow, as shown.

DESCRIPTION

FIG. 1 is a front perspective view showing a respiratory mask elbow according to our new ornamental design; FIG. 2 is a reverse perspective view thereof; FIG. 3 is a front view thereof; FIG. 4 is a rear view thereof; FIG. 5 is a top view thereof; FIG. 6 is a bottom view thereof; FIG. 7 is a right side view thereof; and, FIG. 8 is a left side view thereof.

1 Claim, 2 Drawing Sheets



US D651,304 S

Page 2

U.S. PATENT DOCUMENTS

D576,271 S	9/2008	Gunaratnam et al.		D637,283 S *	5/2011	Selvarajan et al.	D24/110.1
D586,458 S *	2/2009	Kooij et al.	D24/110.1	2003/0196657 A1	10/2003	Ging	
D590,496 S	4/2009	Dantanarayana et al.		2010/0000538 A1*	1/2010	Edwards et al.	128/205.25
D619,701 S *	7/2010	Edwards et al.	D24/110.1				

* cited by examiner

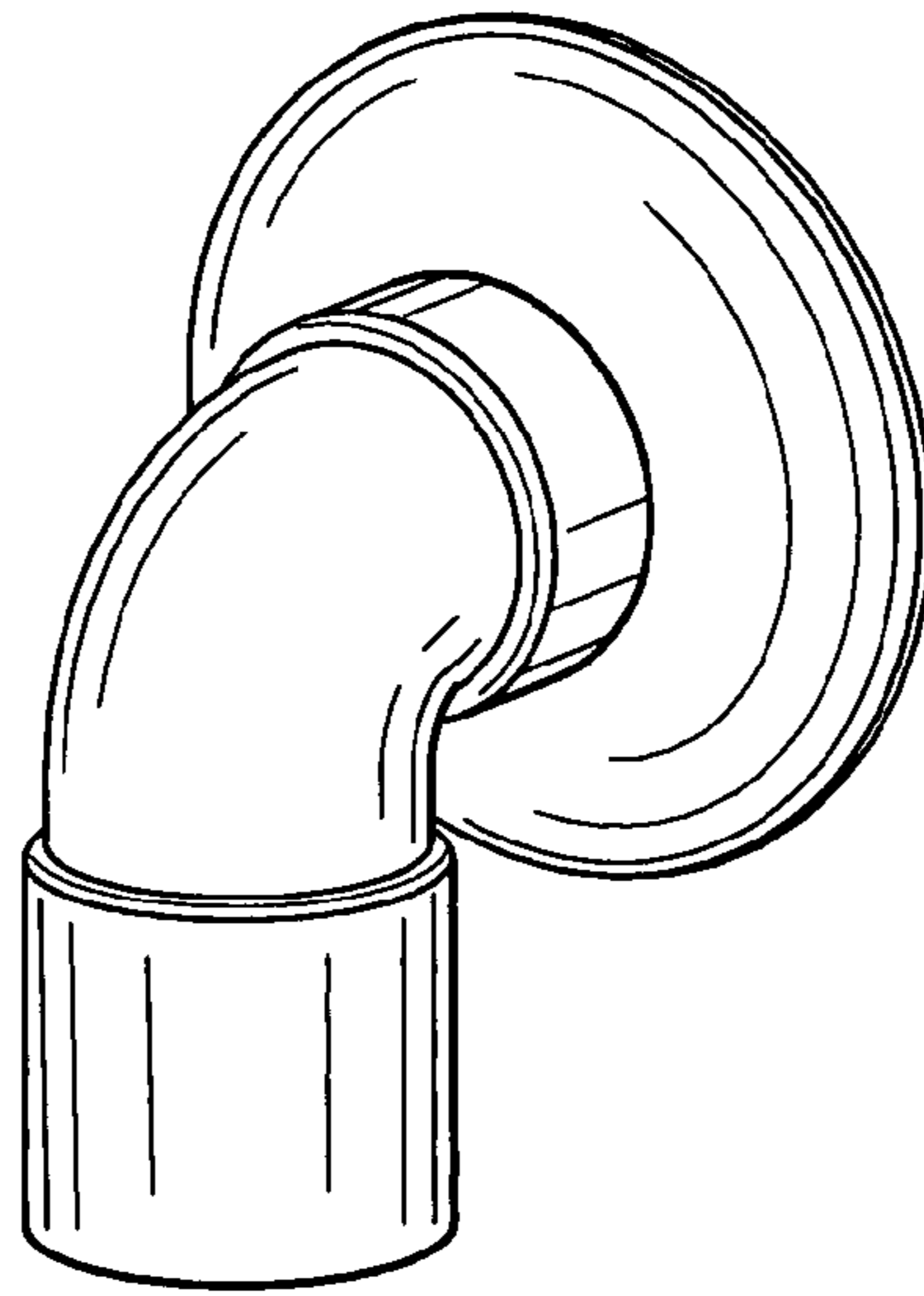


Fig. 1

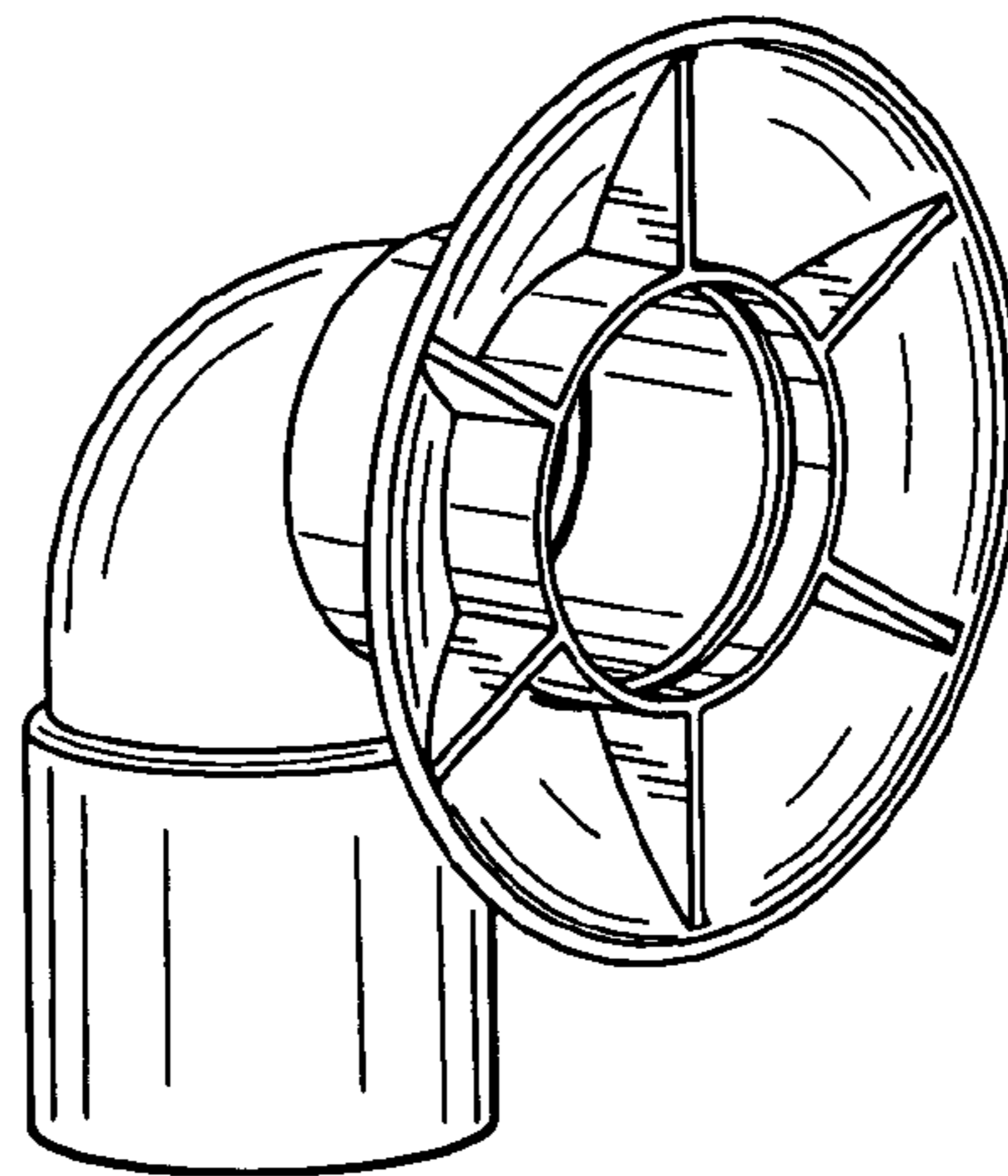


Fig. 2

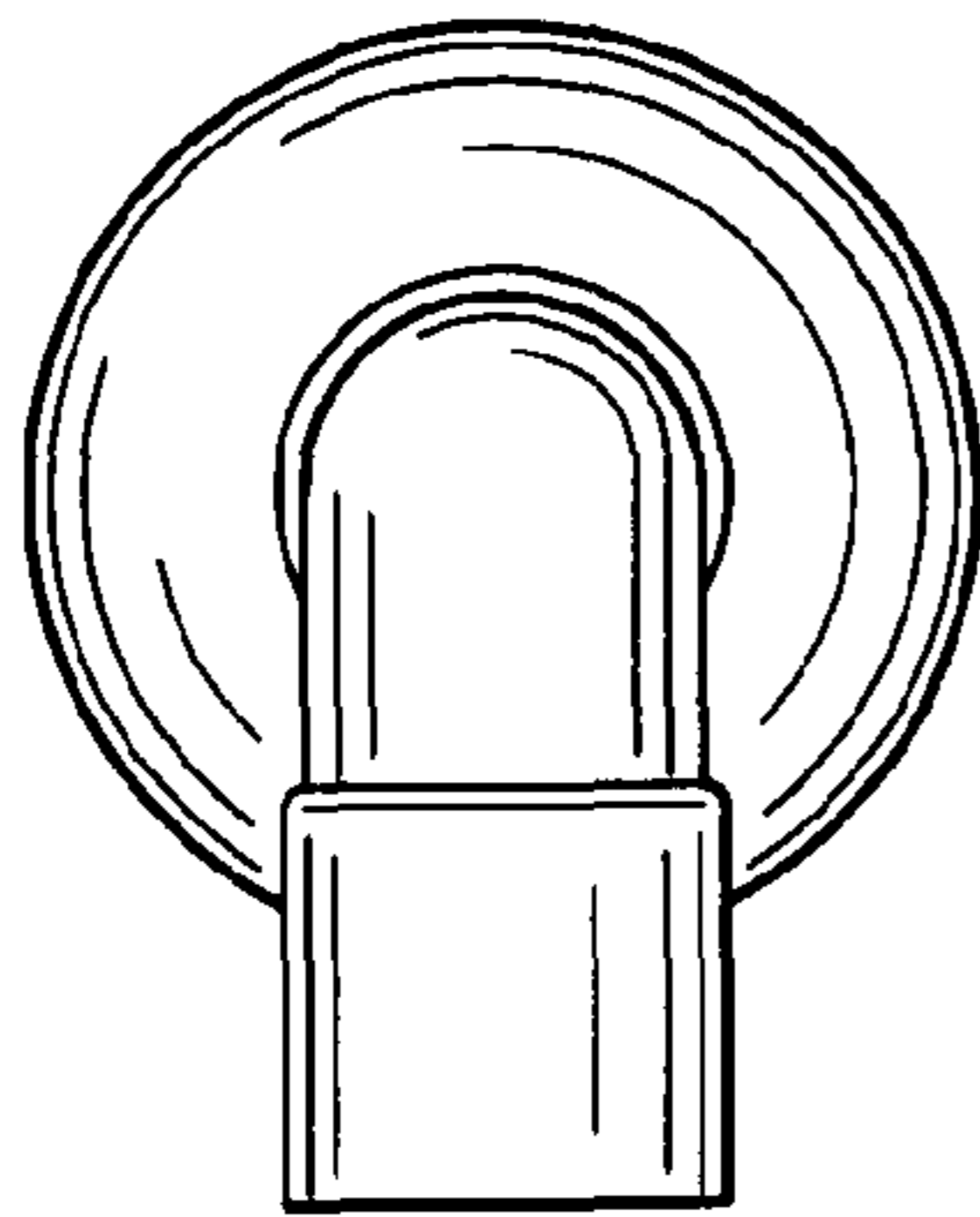


Fig. 3

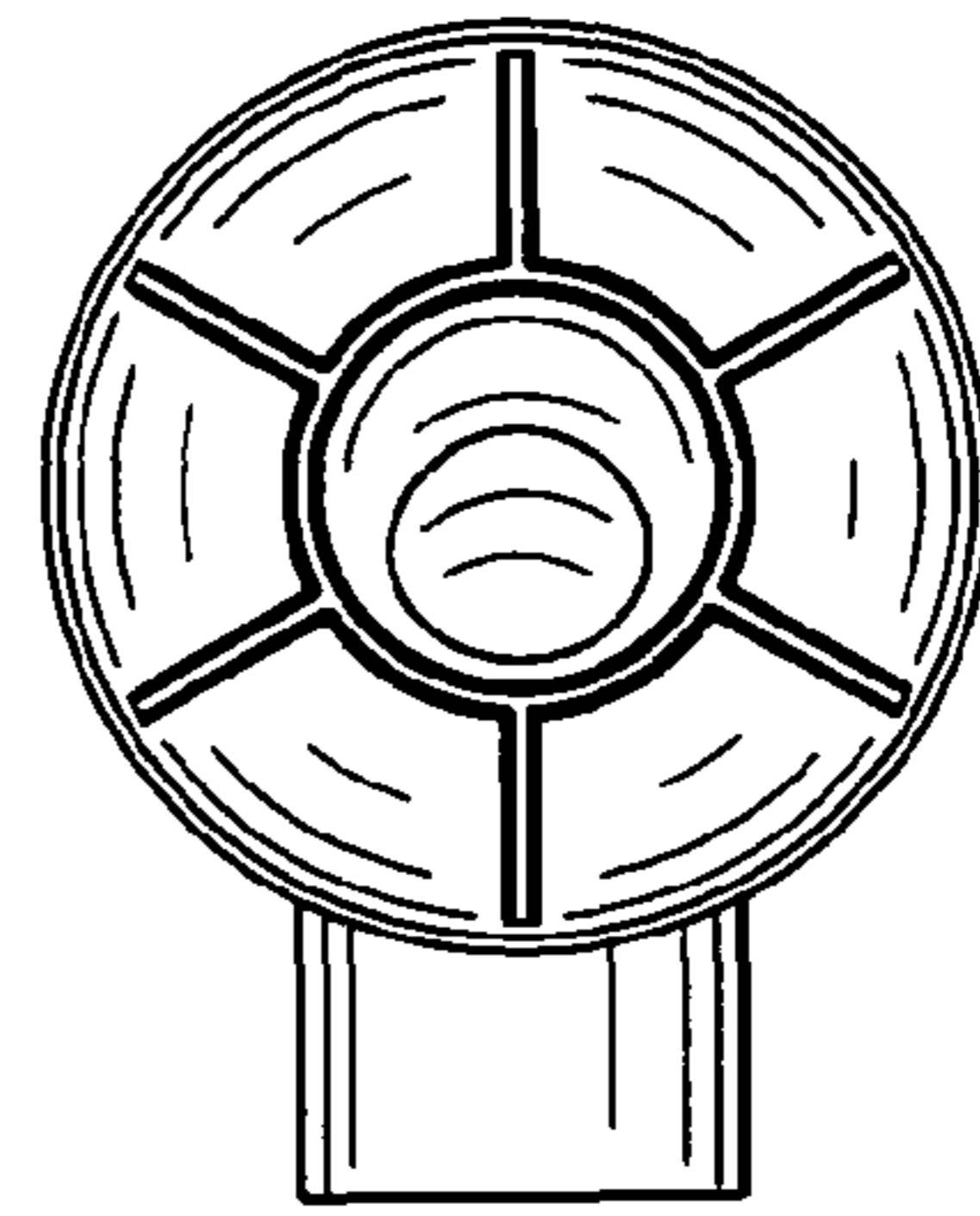


Fig. 4

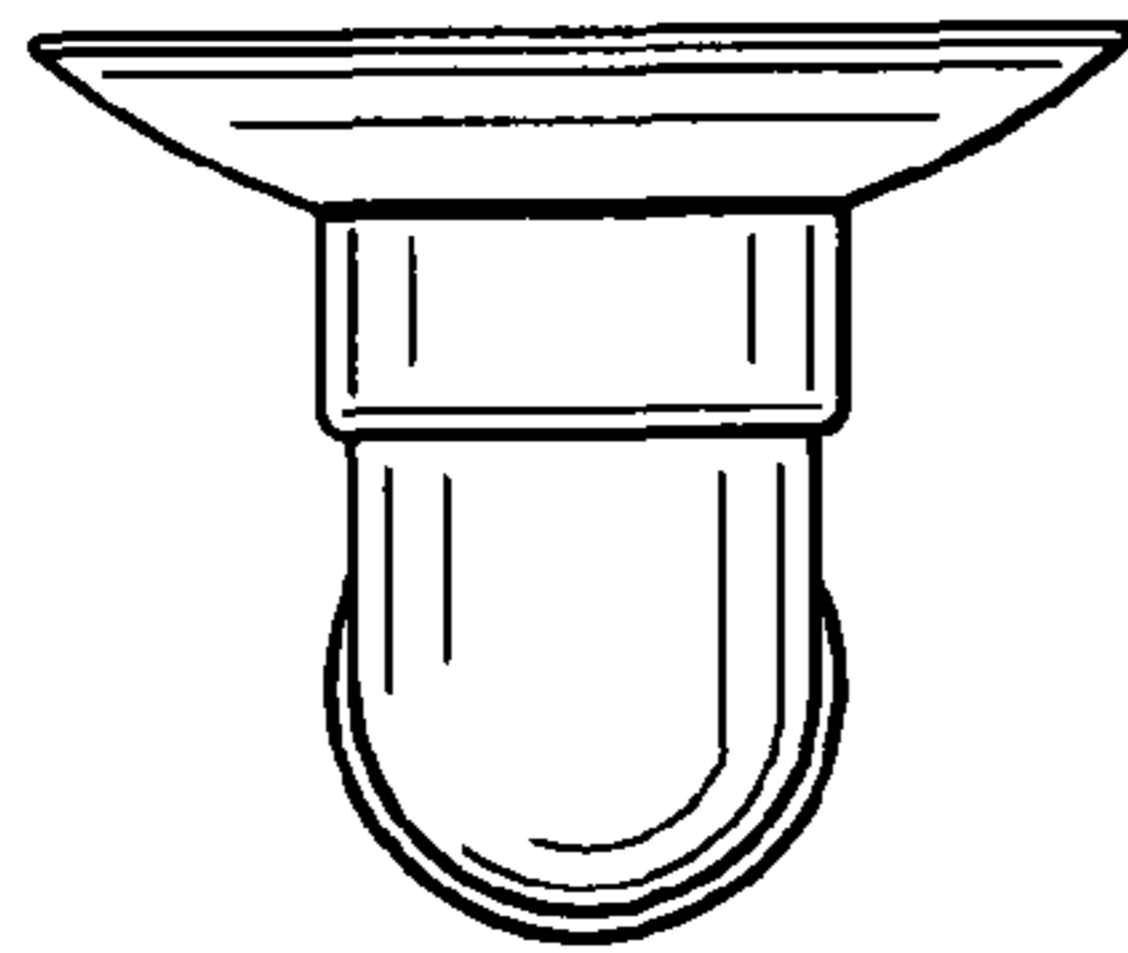


Fig. 5

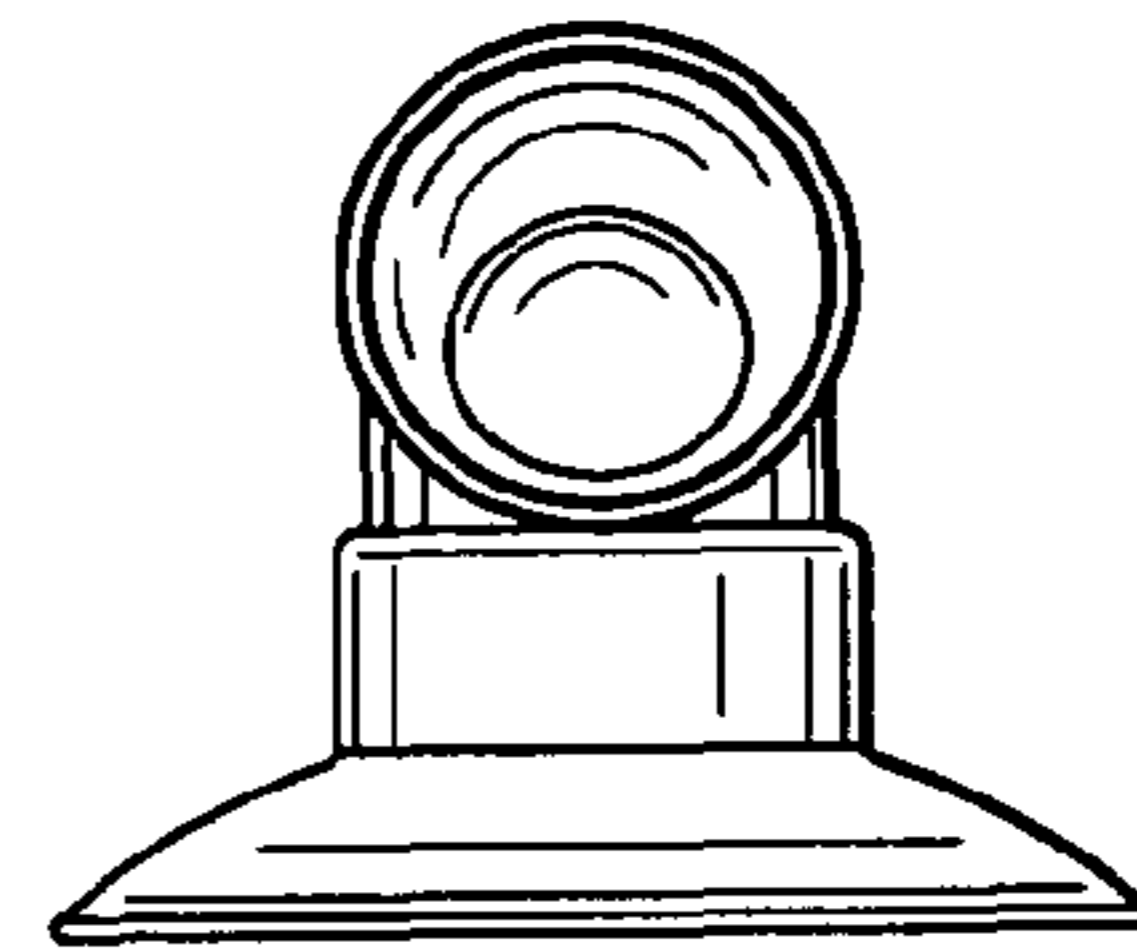


Fig. 6

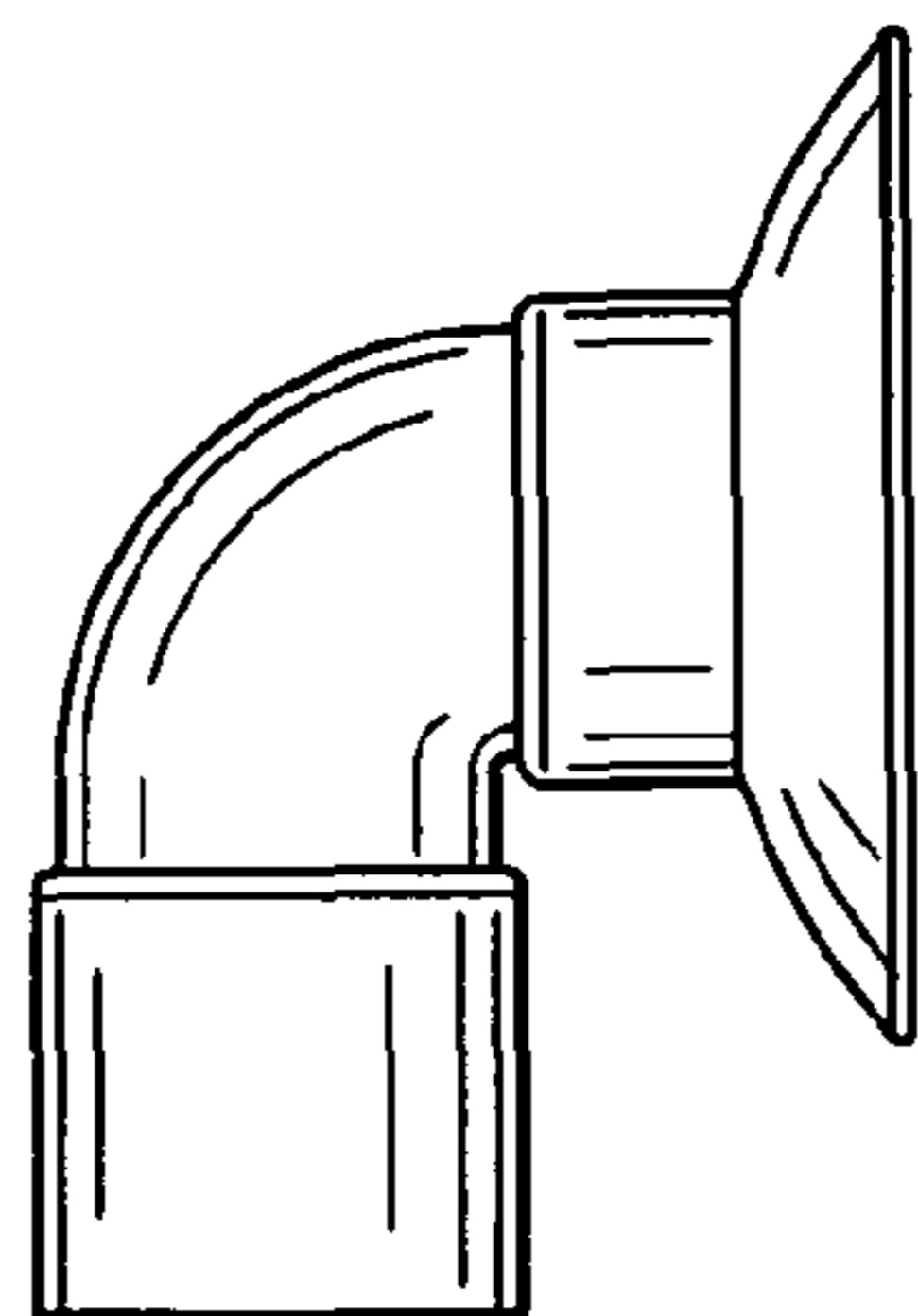


Fig. 7

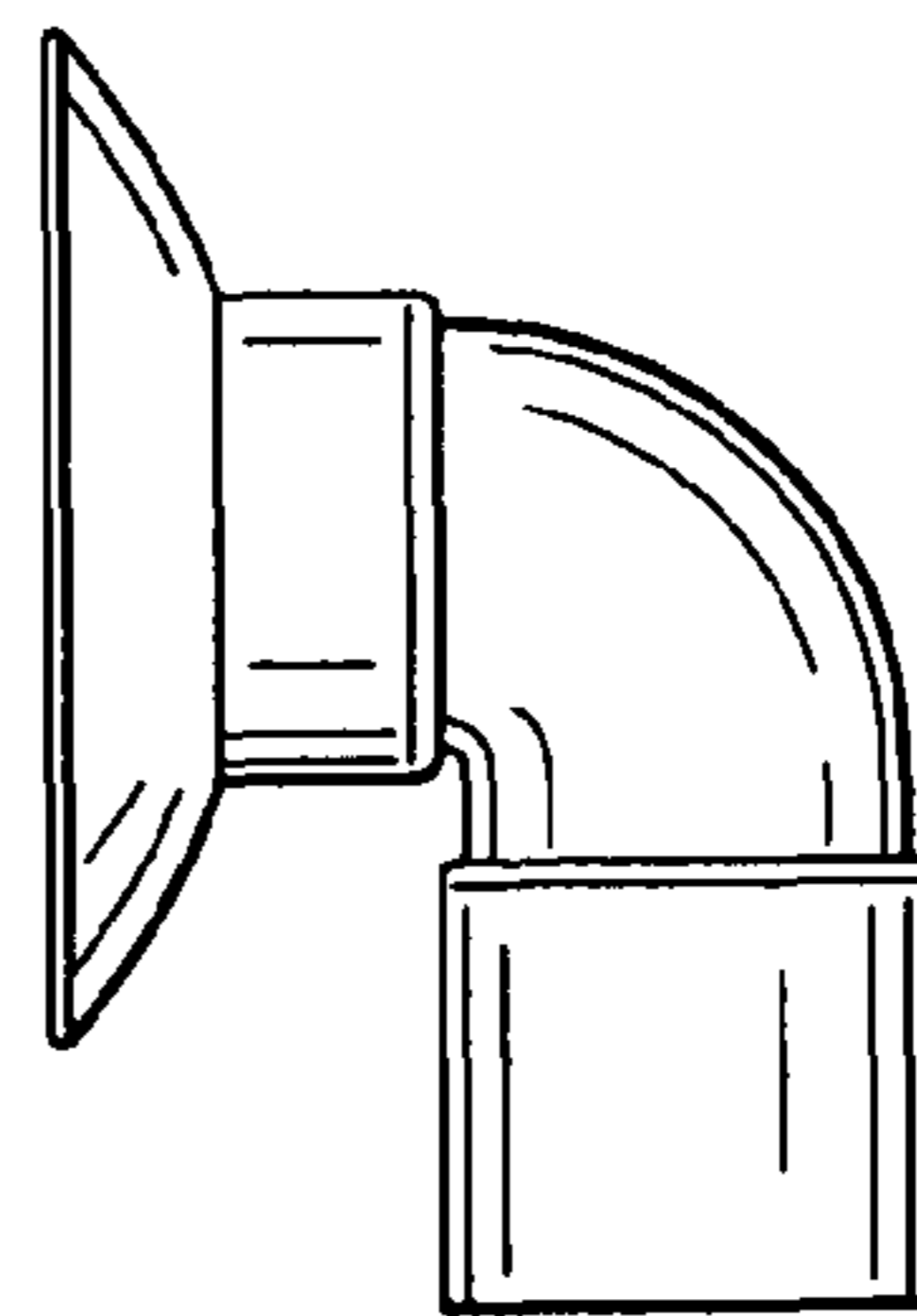


Fig. 8