



US00D651302S

(12) **United States Design Patent**
Falco

(10) **Patent No.:** **US D651,302 S**

(45) **Date of Patent:** **** Dec. 27, 2011**

(54) **EARPLUG**

(75) **Inventor:** **Robert Falco**, Indianapolis, IN (US)

(73) **Assignee:** **3M Innovative Properties Company**,
St. Paul, MN (US)

(**) **Term:** **14 Years**

(21) **Appl. No.:** **29/154,252**

(22) **Filed:** **Jan. 18, 2002**

(51) **LOC (9) Cl.** **24-04**

(52) **U.S. Cl.** **D24/106**

(58) **Field of Classification Search** D24/106;
128/864-867; 181/129-131, 135
See application file for complete search history.

(56) **References Cited**

U.S. PATENT DOCUMENTS

4,314,553	A *	2/1982	Westerdal	181/135
D298,356	S *	11/1988	Falco	D24/106
4,867,149	A *	9/1989	Falco	128/864
5,819,745	A *	10/1998	Mobley et al.	128/864
D402,752	S *	12/1998	Falco	D24/106
5,988,313	A *	11/1999	Håkansson	181/135
D427,304	S *	6/2000	Magidson et al.	D24/106
D436,164	S *	1/2001	Foslien	D24/106

6,286,622	B1 *	9/2001	Tiemann	128/864
D472,627	S *	4/2003	Falco	D24/106
6,568,394	B2 *	5/2003	Falco	128/864
D492,765	S *	7/2004	Falco	D24/106
D492,766	S *	7/2004	Falco	D24/106
D493,219	S *	7/2004	Falco	D24/106
D494,269	S *	8/2004	Fleming	D24/106
7,314,047	B2 *	1/2008	Falco	128/864
D578,638	S *	10/2008	Falco	D24/106
7,537,011	B2 *	5/2009	Falco	128/864
7,697,706	B2 *	4/2010	Doty	128/864
7,743,771	B2 *	6/2010	Falco	128/864
2004/0069310	A1 *	4/2004	Falco	128/864

* cited by examiner

Primary Examiner — Wan Laymon

(74) *Attorney, Agent, or Firm* — Eric D. Levinson

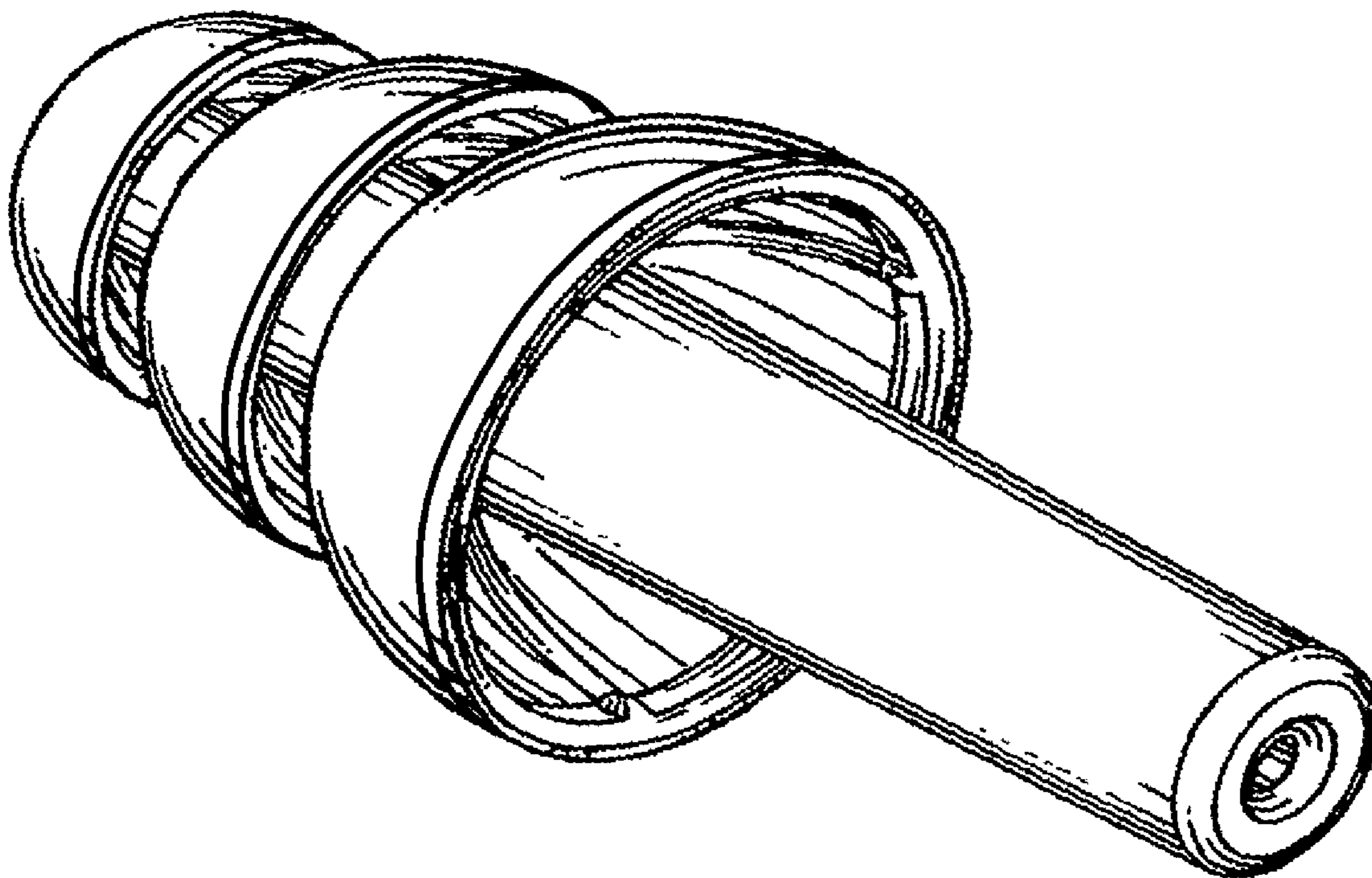
(57) **CLAIM**

I claim, the ornamental design for an earplug, as shown and described.

DESCRIPTION

FIG. 1 is a perspective view of an earplug showing my new design;
FIG. 2 is a side elevational view thereof, all other side views being mirror images thereof;
FIG. 3 is a top plan view thereof; and,
FIG. 4 is a bottom plan view thereof.

1 Claim, 2 Drawing Sheets



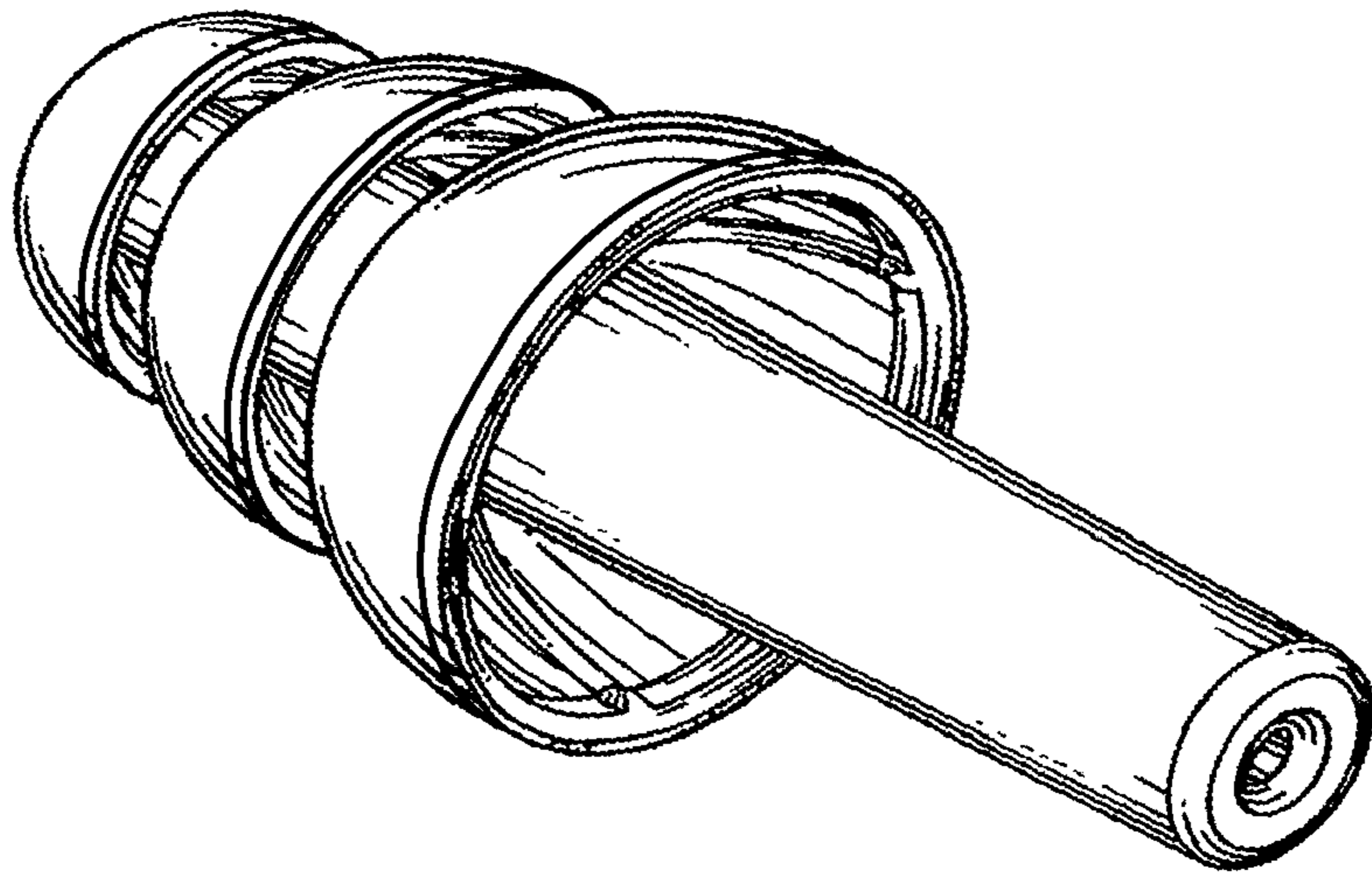


FIG. 1

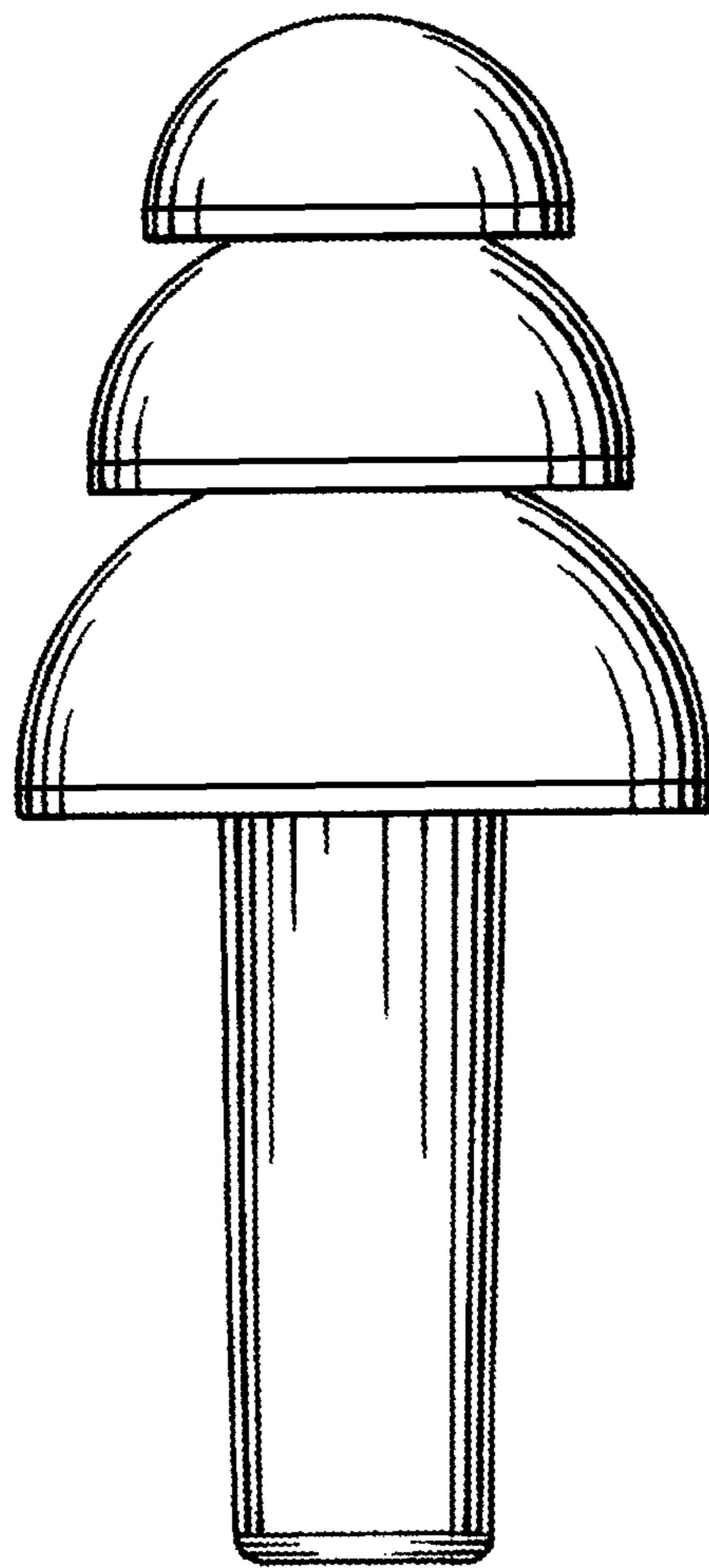


FIG. 2

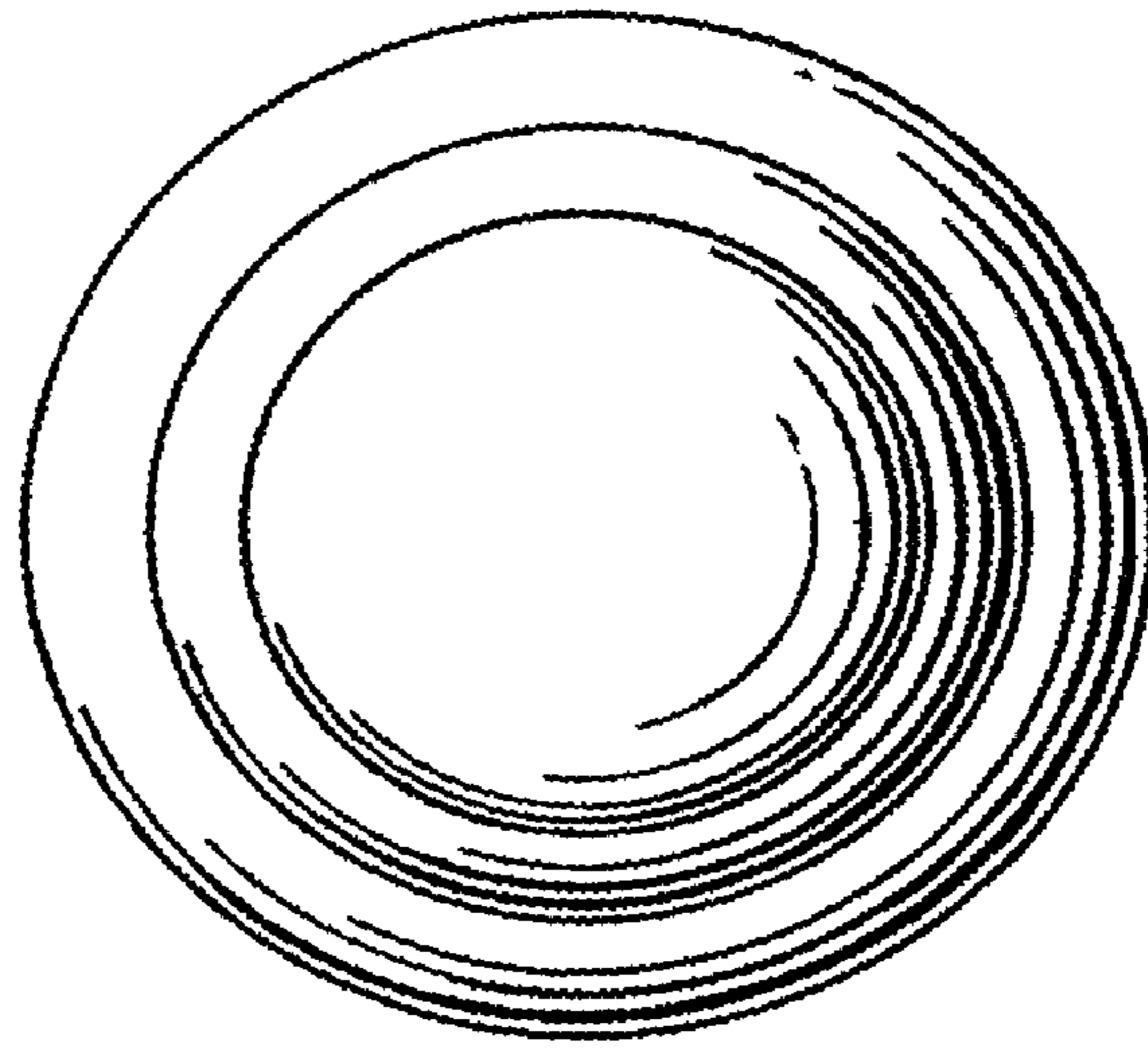


FIG. 3

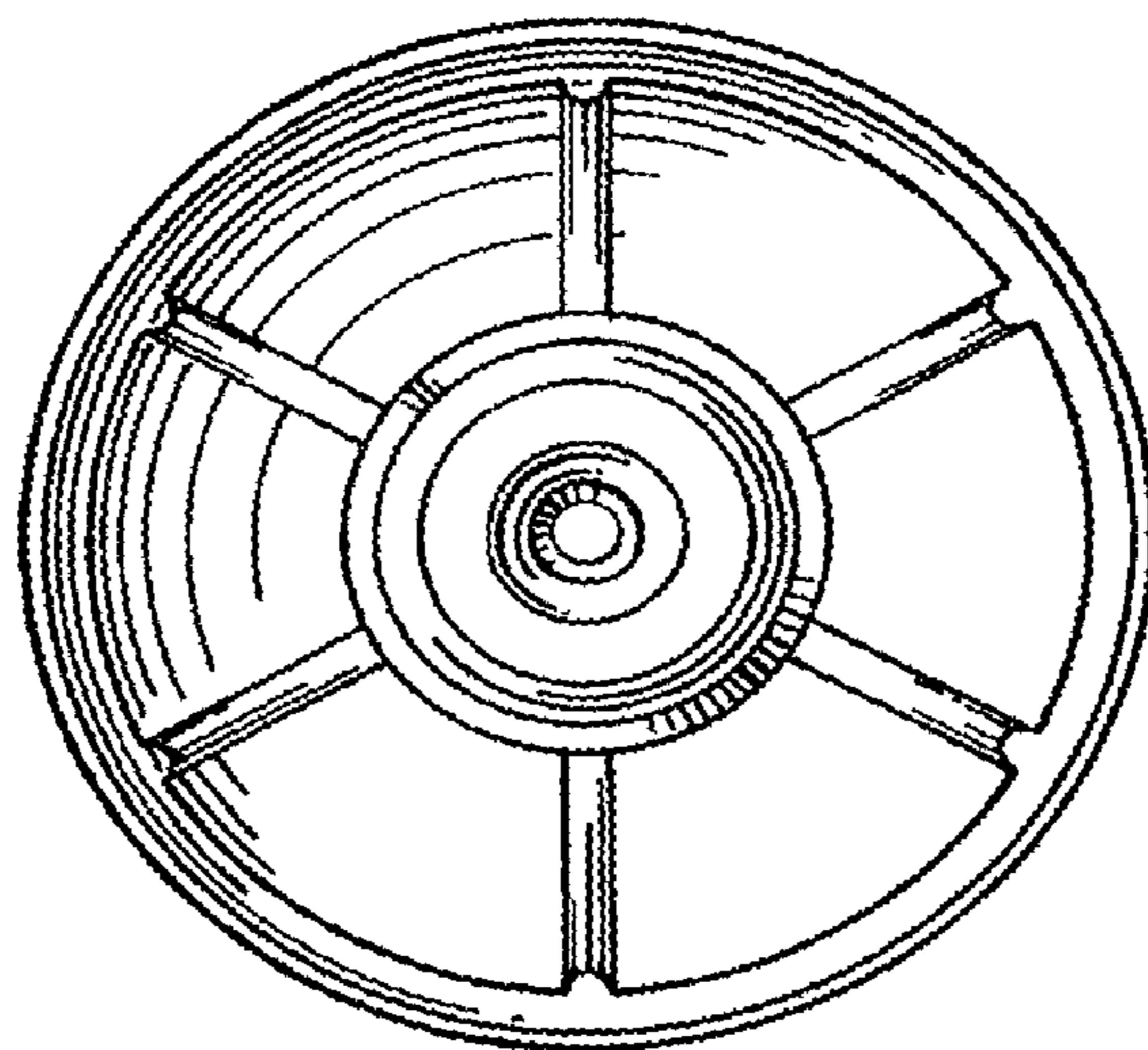


FIG. 4