



US00D651297S

(12) **United States Design Patent**
Jiang

(10) **Patent No.:** **US D651,297 S**

(45) **Date of Patent:** **** Dec. 27, 2011**

(54) **TOILET BOWL**

(75) Inventor: **Mimi Jiang**, Shanghai (CN)

(73) Assignee: **Kohler China Investment Co., Ltd.**,
Shanghai (CN)

(**) Term: **14 Years**

(21) Appl. No.: **29/396,108**

(22) Filed: **Jun. 24, 2011**

Related U.S. Application Data

(62) Division of application No. 29/364,763, filed on Jun. 28, 2010, now Pat. No. Des. 642,247.

(51) **LOC (9) Cl.** **23-02**

(52) **U.S. Cl.** **D23/309**

(58) **Field of Classification Search** D23/295,
D23/299, 303, 309; 4/479, 480, 483, 313,
4/449, 459-460

See application file for complete search history.

(56) **References Cited**

U.S. PATENT DOCUMENTS

D531,711 S * 11/2006 Bradford D23/295
D621,487 S * 8/2010 Toyohara D23/300

* cited by examiner

Primary Examiner — Robert Delehanty

(74) *Attorney, Agent, or Firm* — Foley & Lardner LLP

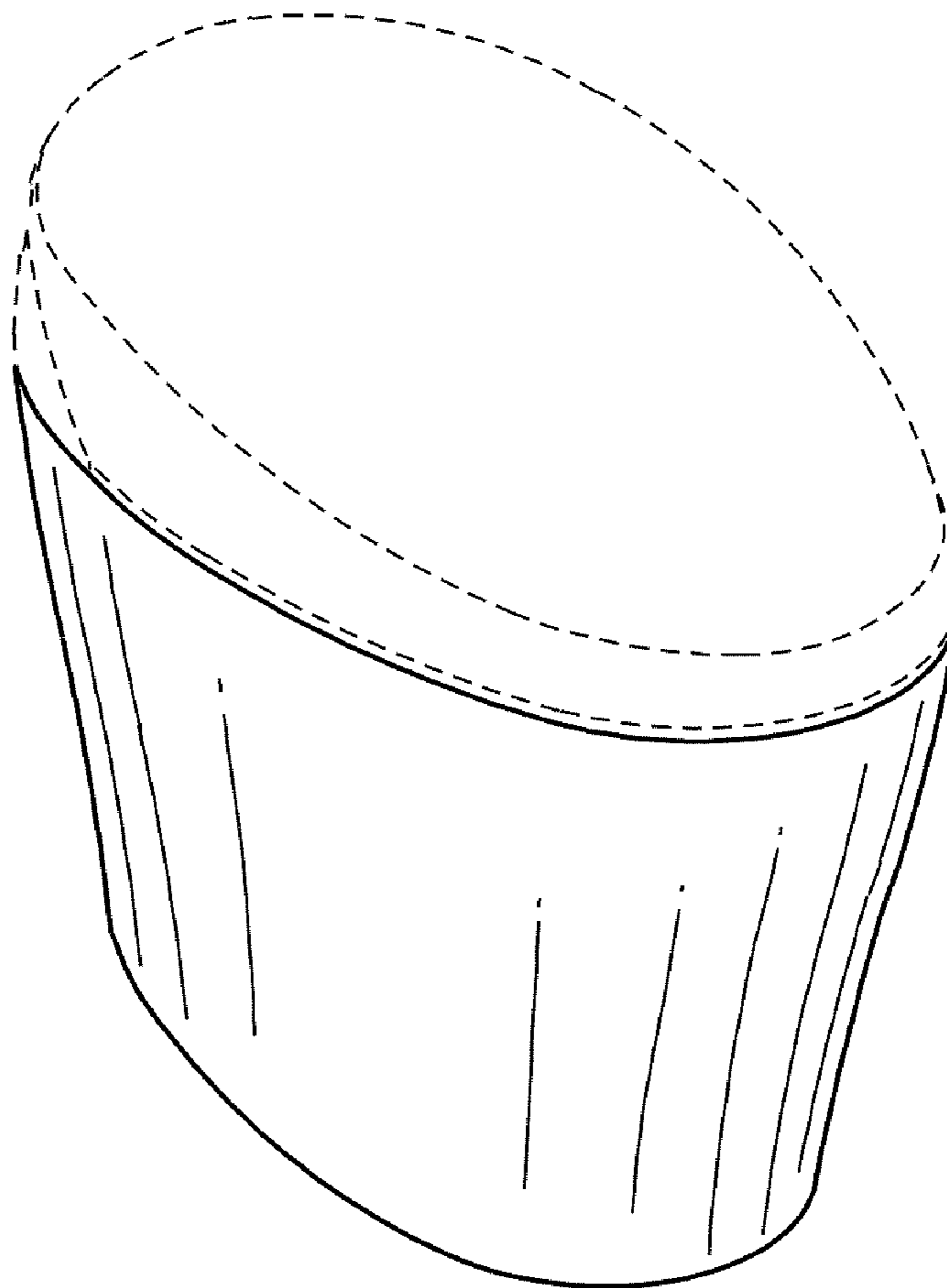
(57) **CLAIM**

I claim the ornamental design for a toilet bowl, as shown and described.

DESCRIPTION

FIG. 1 is a perspective view from above and the left of the toilet seat which is the subject of our new design; FIG. 2 is a left side elevational view thereof, the right side elevational view being a mirror image thereof; FIG. 3 is a front elevational view thereof; FIG. 4 is a rear elevational view thereof; FIG. 5 is a top plan view thereof; and, FIG. 6 is a bottom plan view thereof. The ornamental design which is claimed is shown in solid lines in the drawings. The broken lines in the drawings are for illustrative purposes only and form no part of the claimed design.

1 Claim, 3 Drawing Sheets



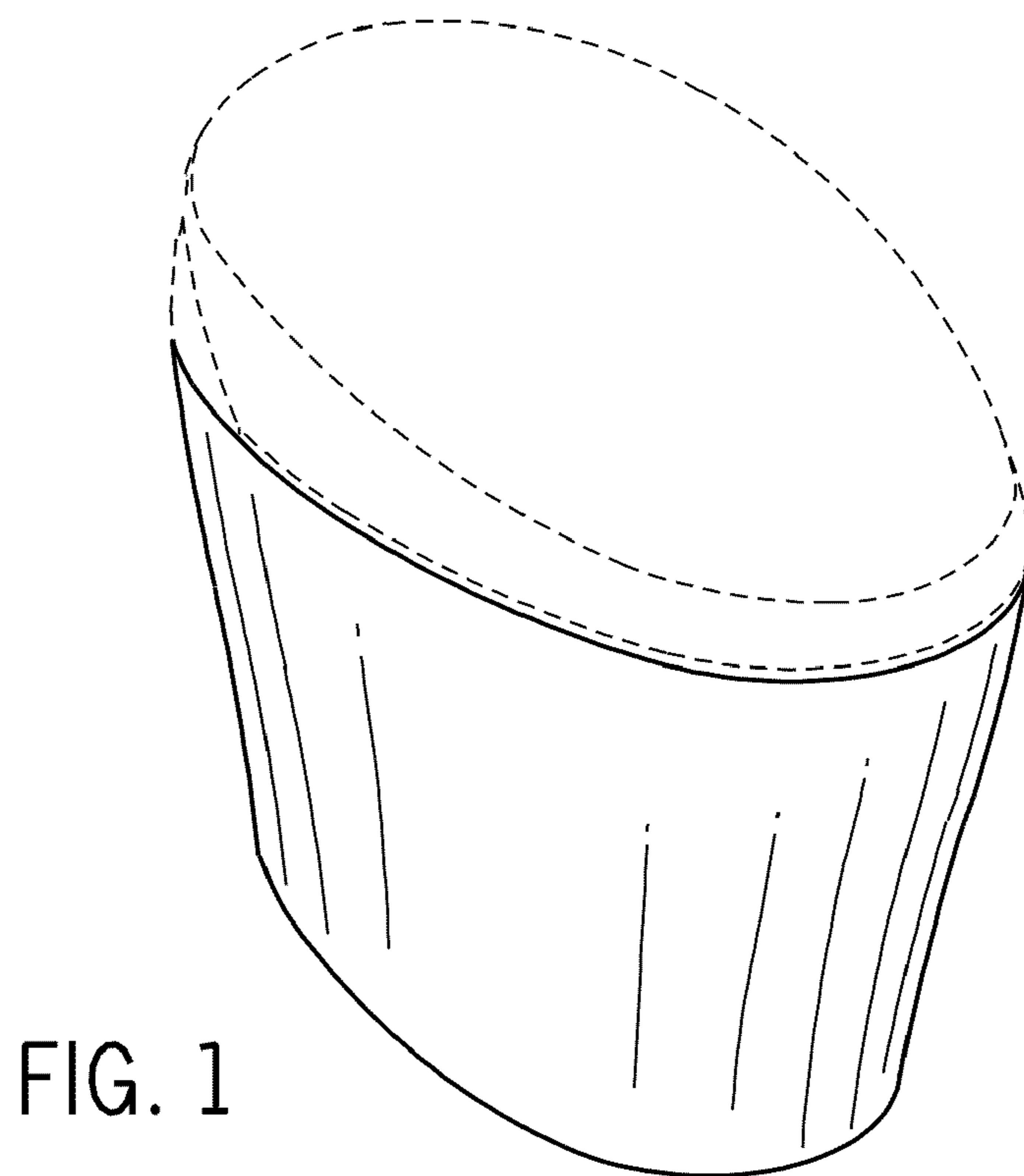


FIG. 1

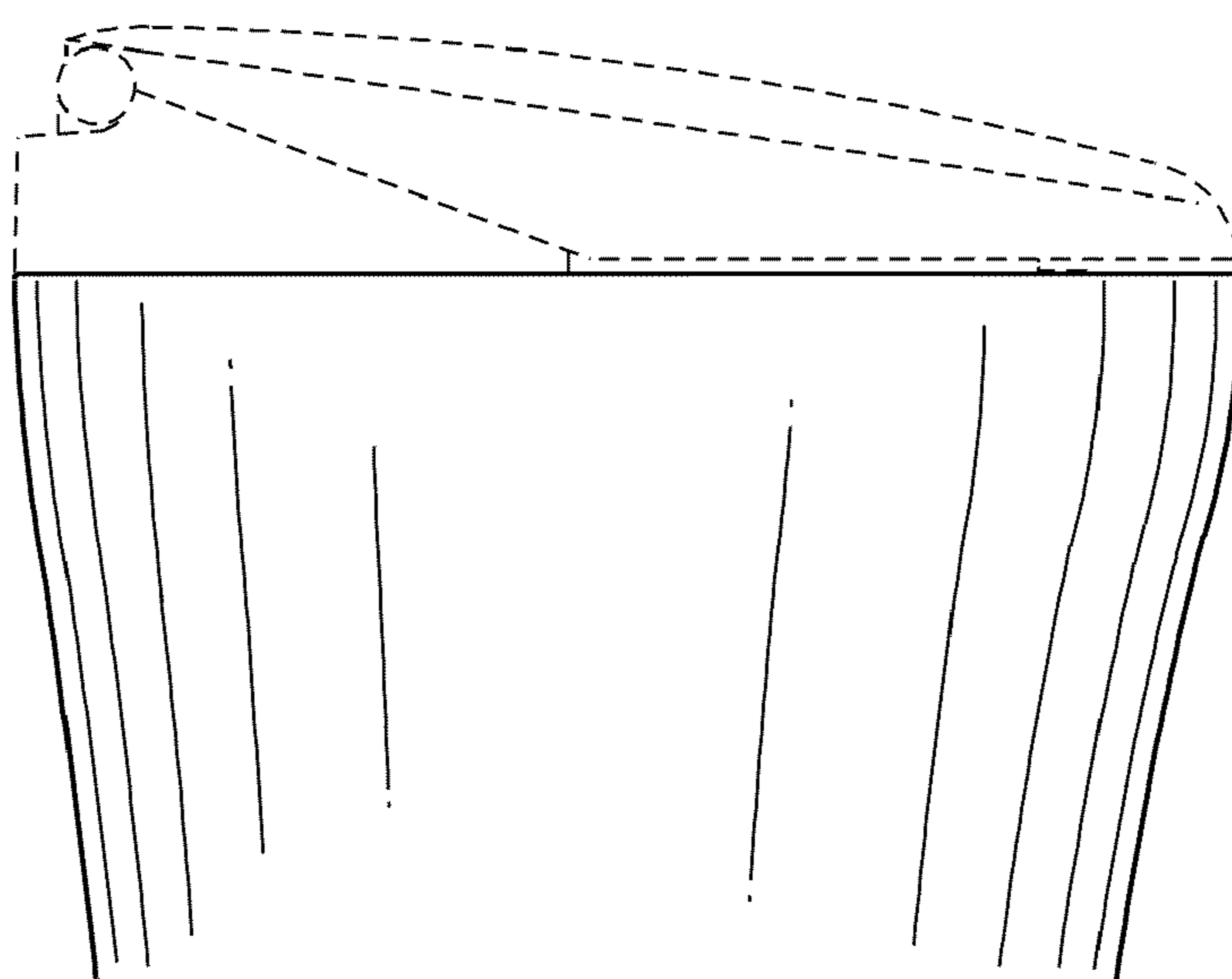


FIG. 2

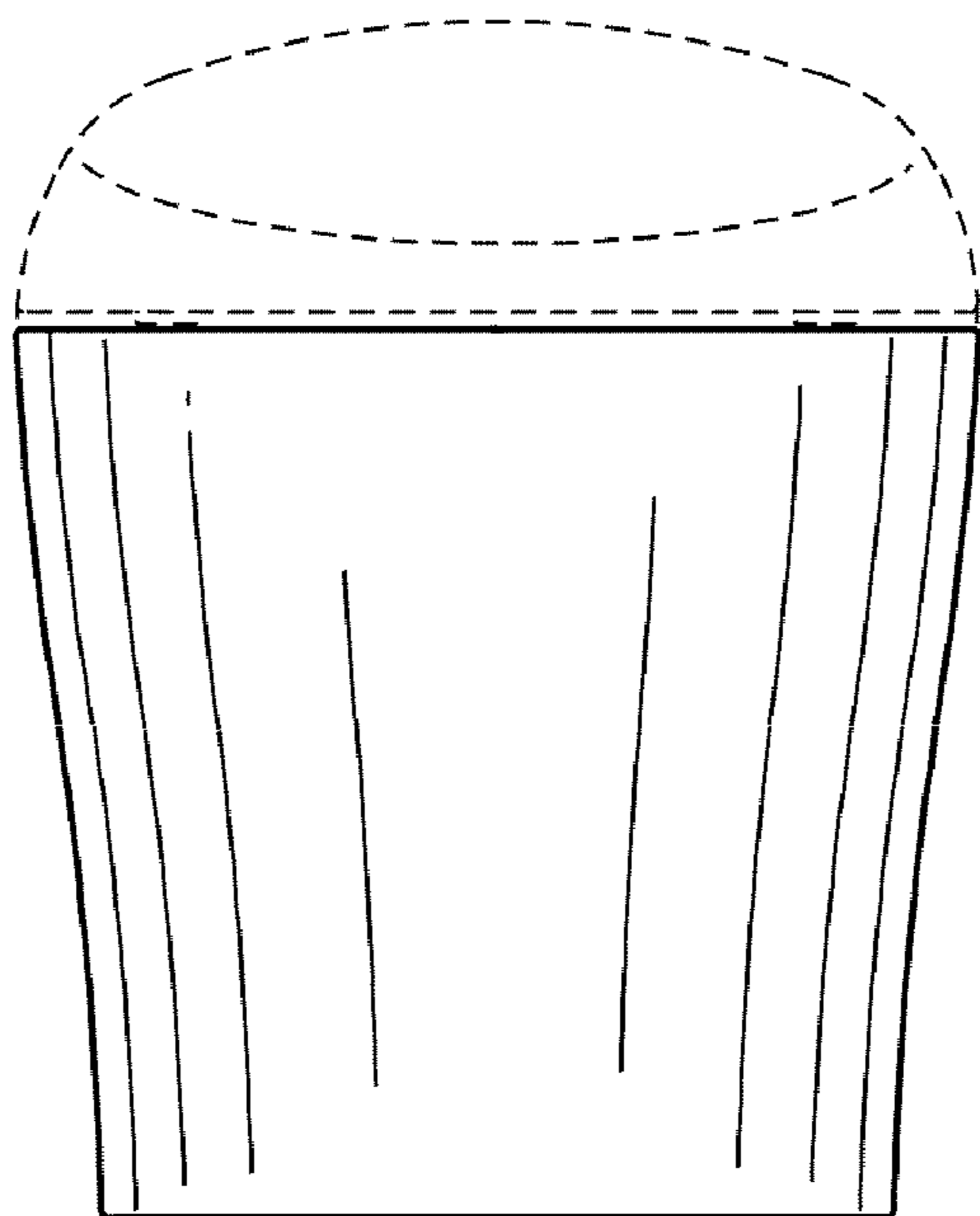


FIG. 3

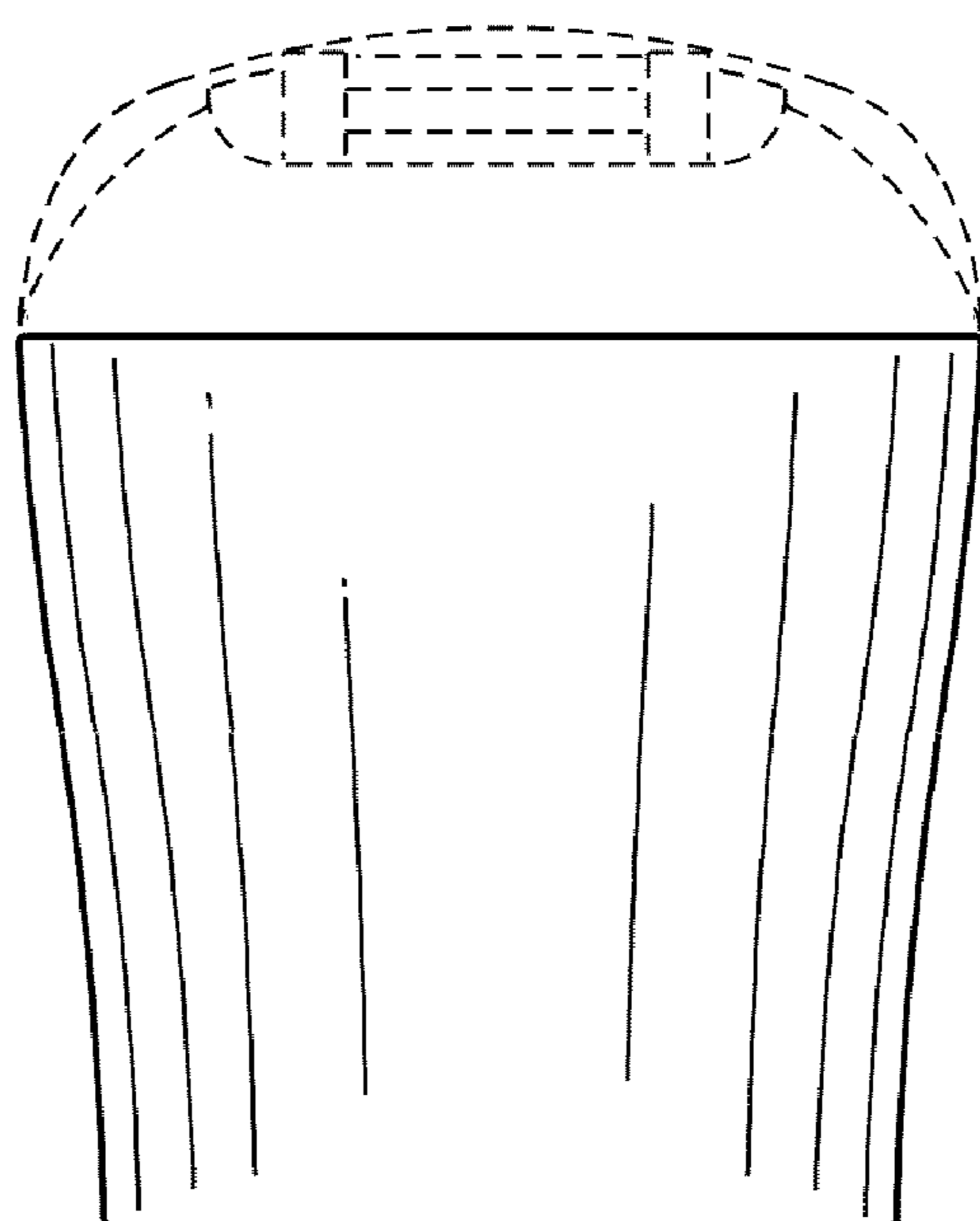


FIG. 4

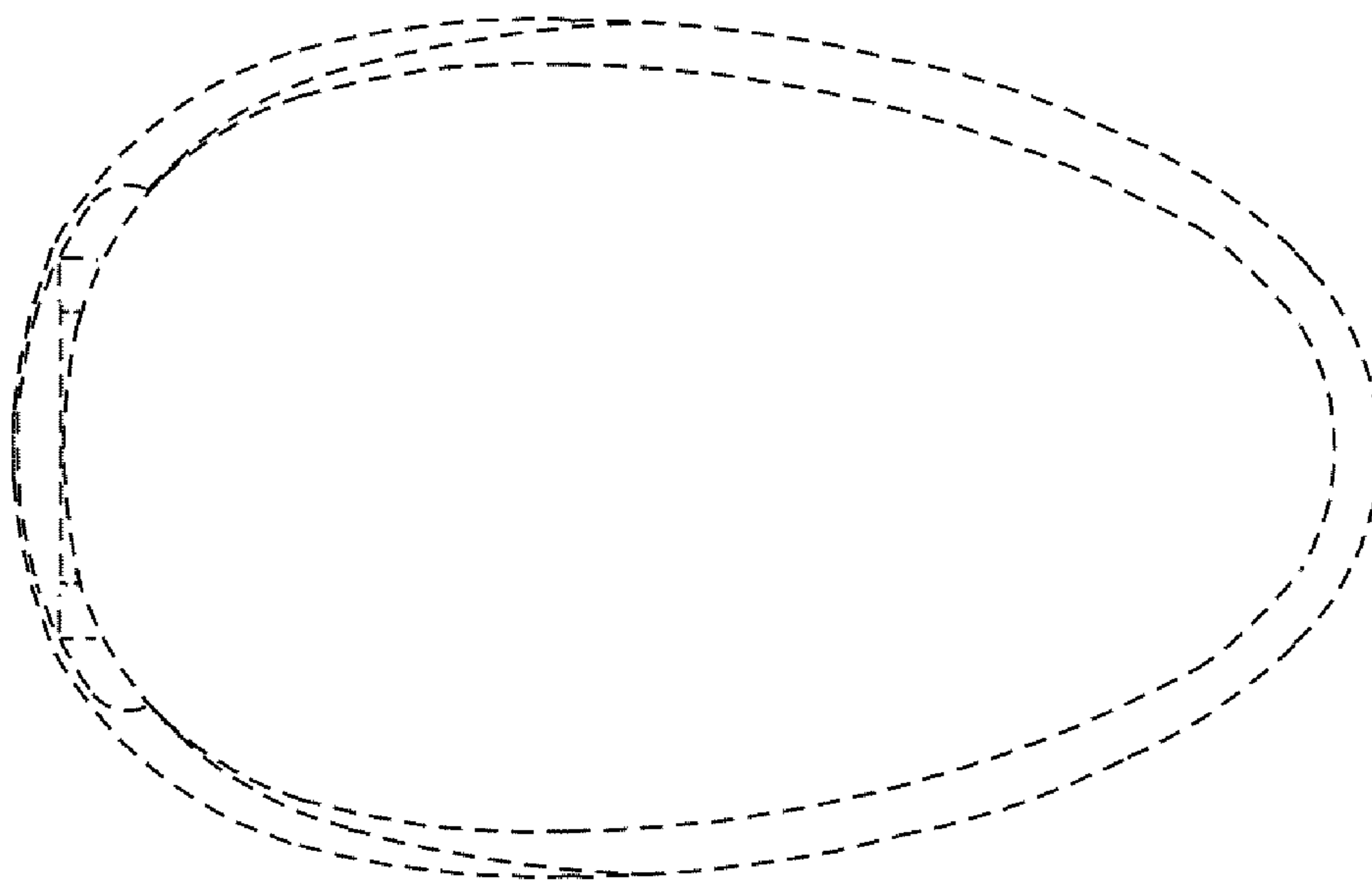


FIG. 5

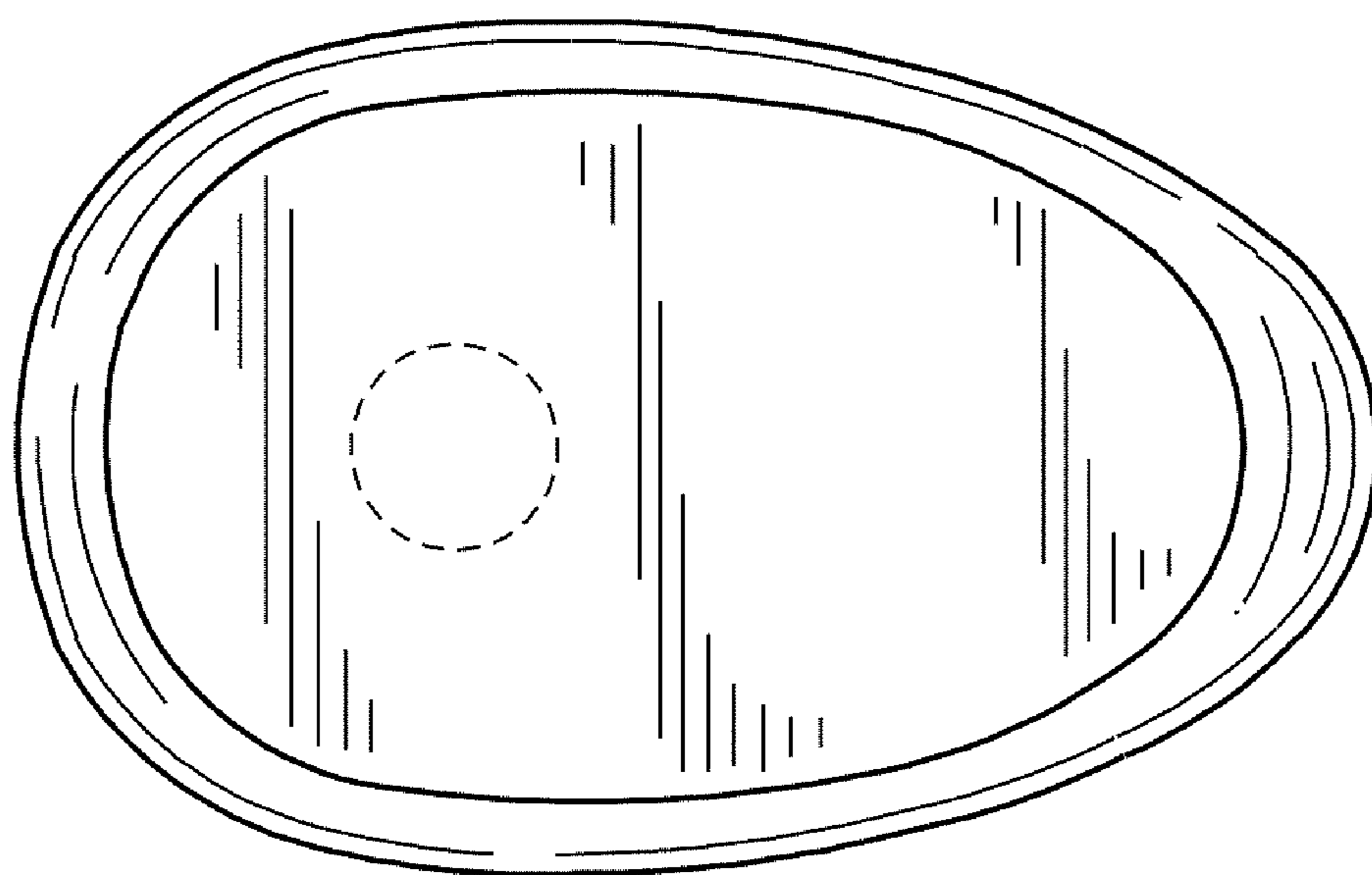


FIG. 6