



US00D651295S

(12) **United States Design Patent**
Beall

(10) **Patent No.:** **US D651,295 S**

(45) **Date of Patent:** **** Dec. 27, 2011**

(54) **RAIN CHAIN WATER FEATURE**

(76) Inventor: **Garm Beall**, Canoga Park, CA (US)

(**) Term: **14 Years**

(21) Appl. No.: **29/385,755**

(22) Filed: **Feb. 18, 2011**

(51) **LOC (9) Cl.** **23-01**

(52) **U.S. Cl.** **D23/267**

(58) **Field of Classification Search** D23/267;
D3/5-17; D11/12-13; 52/11-12, 16; 137/615
See application file for complete search history.

(56) **References Cited**

U.S. PATENT DOCUMENTS

D316,686	S	*	5/1991	Tardif	D11/148
D422,784	S	*	4/2000	Au	D3/5
D437,109	S	*	2/2001	Muscella	D3/5
6,308,464	B1	*	10/2001	Demartini	52/16
6,497,816	B2	*	12/2002	Naddy	210/162
6,526,699	B1	*	3/2003	Foglio, Sr.	52/15
D506,160	S	*	6/2005	Lambert	D11/148
D515,184	S	*	2/2006	Beall	D23/267
D519,191	S	*	4/2006	Beall	D23/267
D547,423	S	*	7/2007	Lindsay	D23/267
D569,488	S	*	5/2008	Lindsay	D23/267
D603,483	S	*	11/2009	Lindsay	D23/267

OTHER PUBLICATIONS

website: <http://www.rainchains.com/4297-Pagoda.html> with copy-right date of 2001-2007.*

* cited by examiner

Primary Examiner — T. Chase Nelson

Assistant Examiner — Eric Goodman

(74) *Attorney, Agent, or Firm* — Kelly Lowry & Kelley, LLP

(57) **CLAIM**

The ornamental design for a rain chain water feature, as shown and described.

DESCRIPTION

FIG. 1 is a perspective view of the rain chain water feature attached to a down-spout of a building, shown in phantom, and forming no portion of the claimed design;

FIG. 2 is a perspective view of two components of the rain chain water feature, one shown in phantom, interconnected to one another in a vertical chain;

FIG. 3 is a front elevational view of the component of FIG. 2;

FIG. 4 is a rear elevational view of the component of FIG. 2;

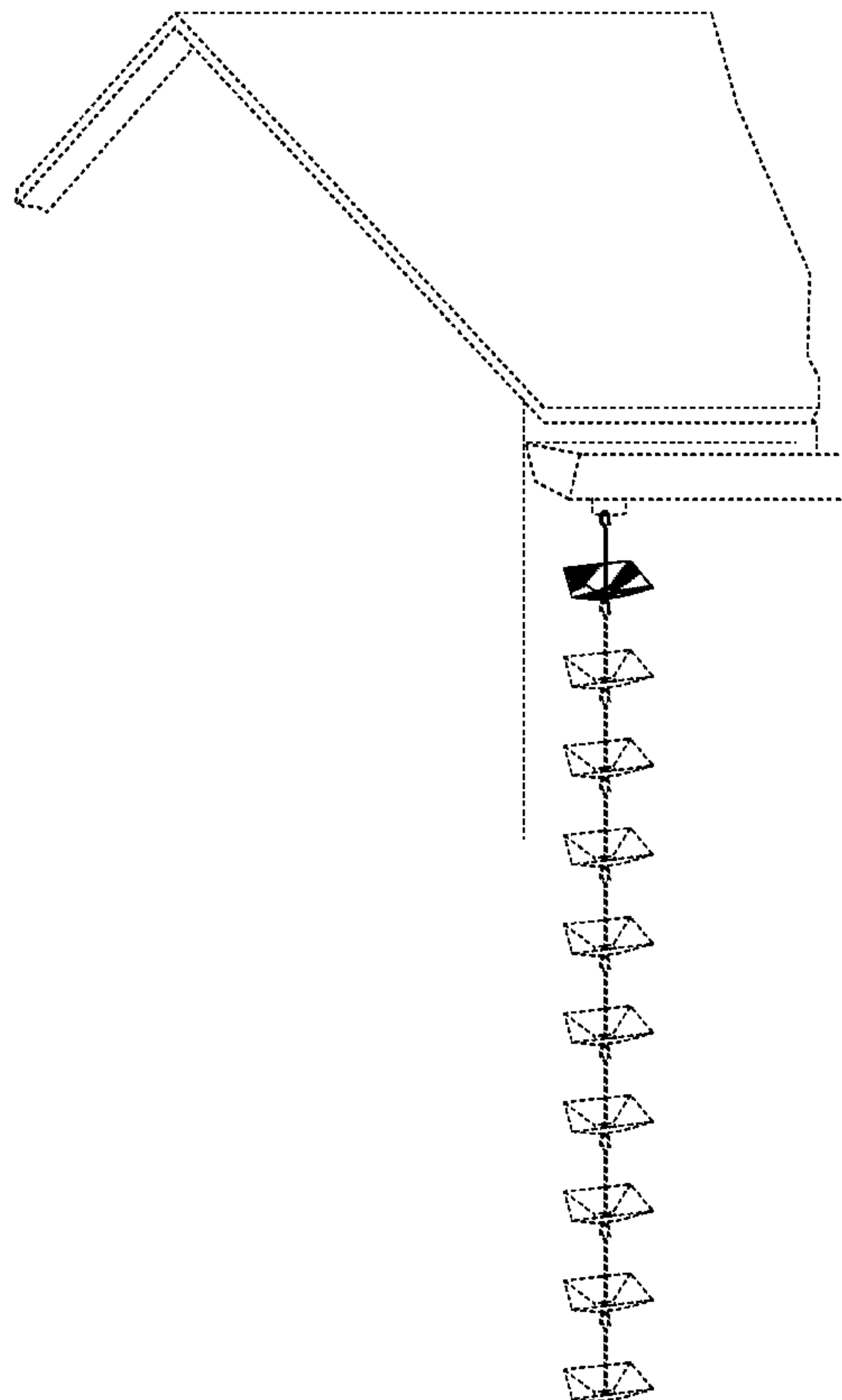
FIG. 5 is a right side elevational view of the component of FIG. 2;

FIG. 6 is a left side elevational view of the component of FIG. 2;

FIG. 7 is a top plan view of the component of FIG. 2; and,

FIG. 8 is a bottom plan view of the component of FIG. 2.

1 Claim, 3 Drawing Sheets



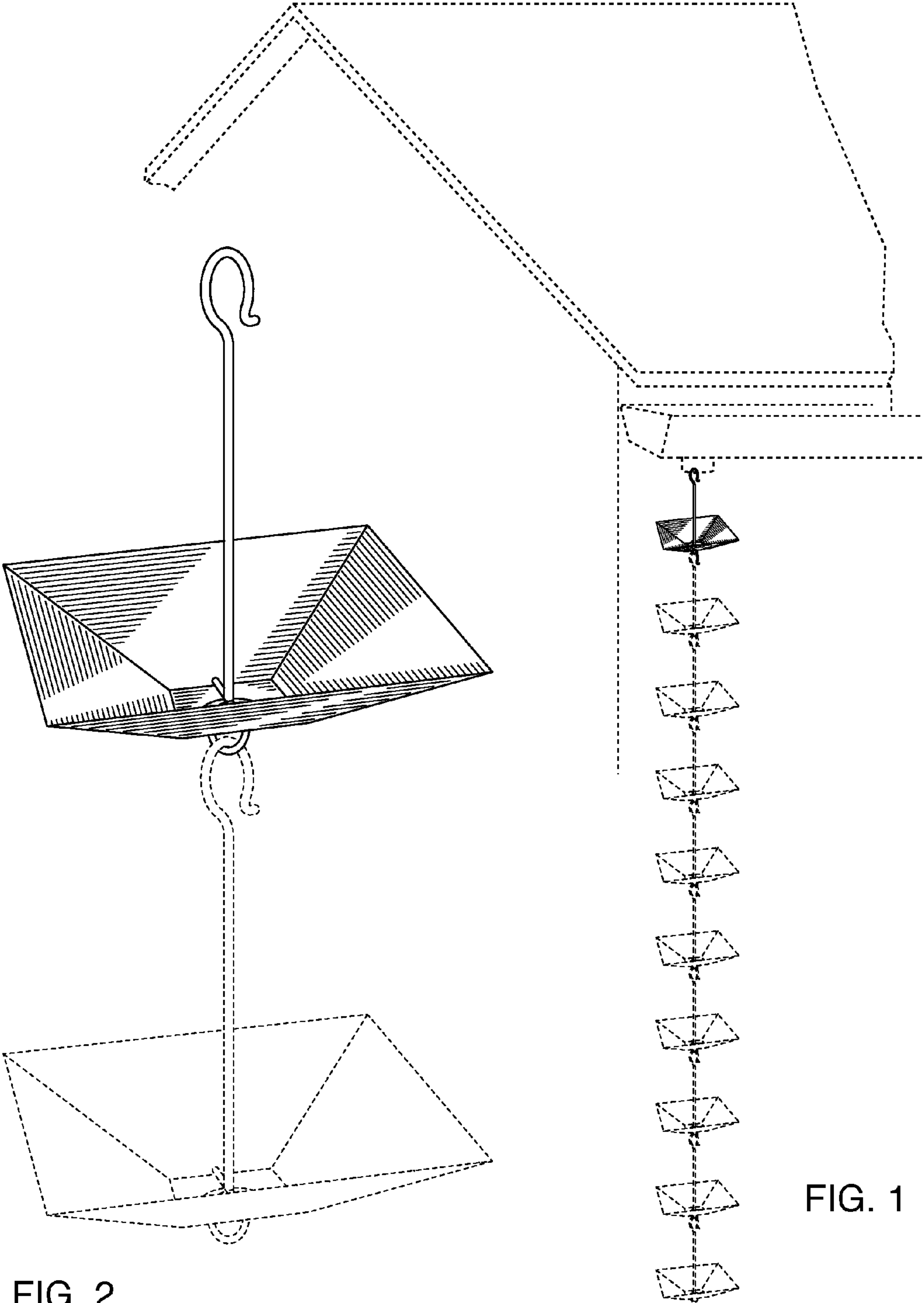


FIG. 2

FIG. 1

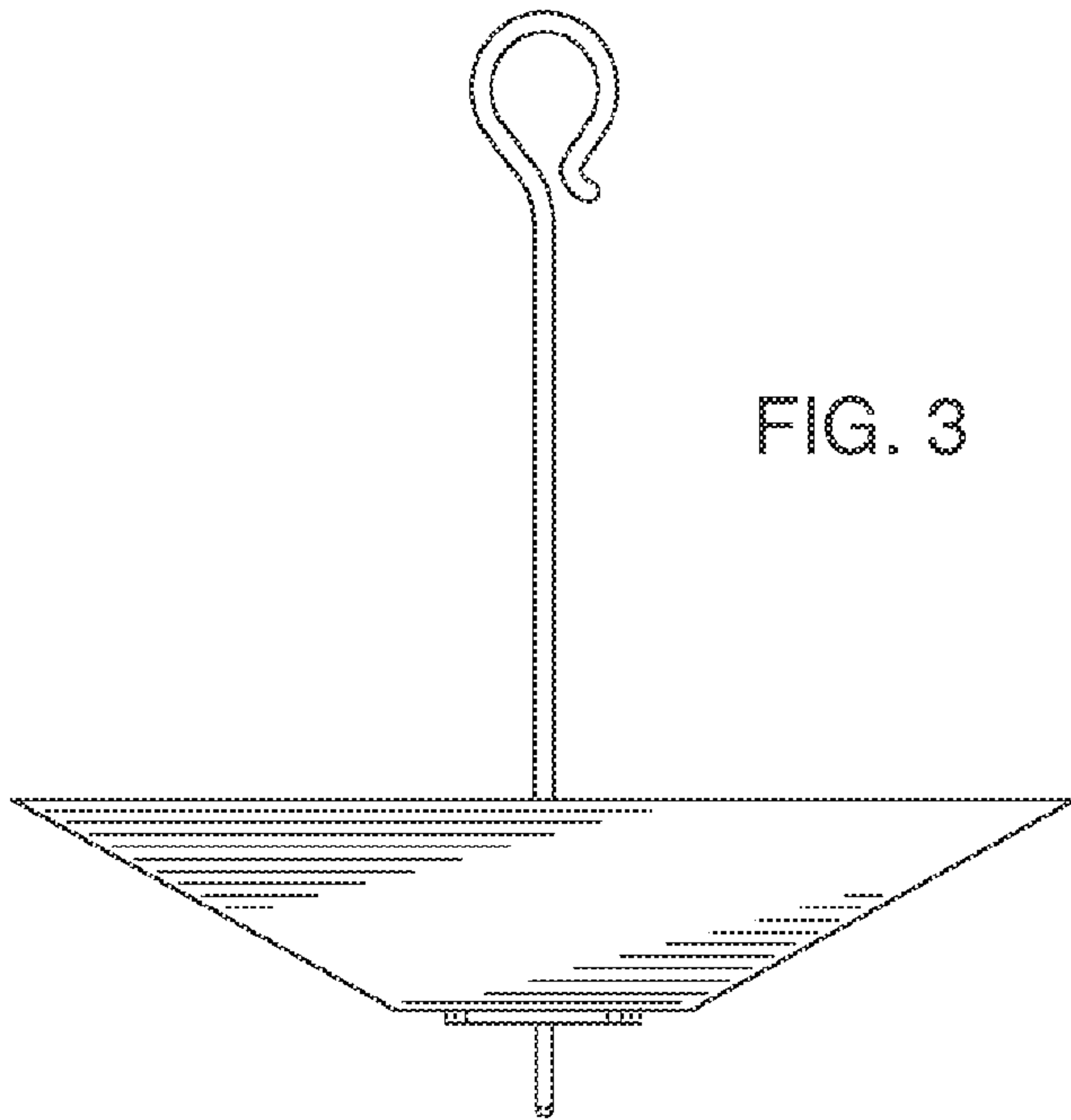


FIG. 3

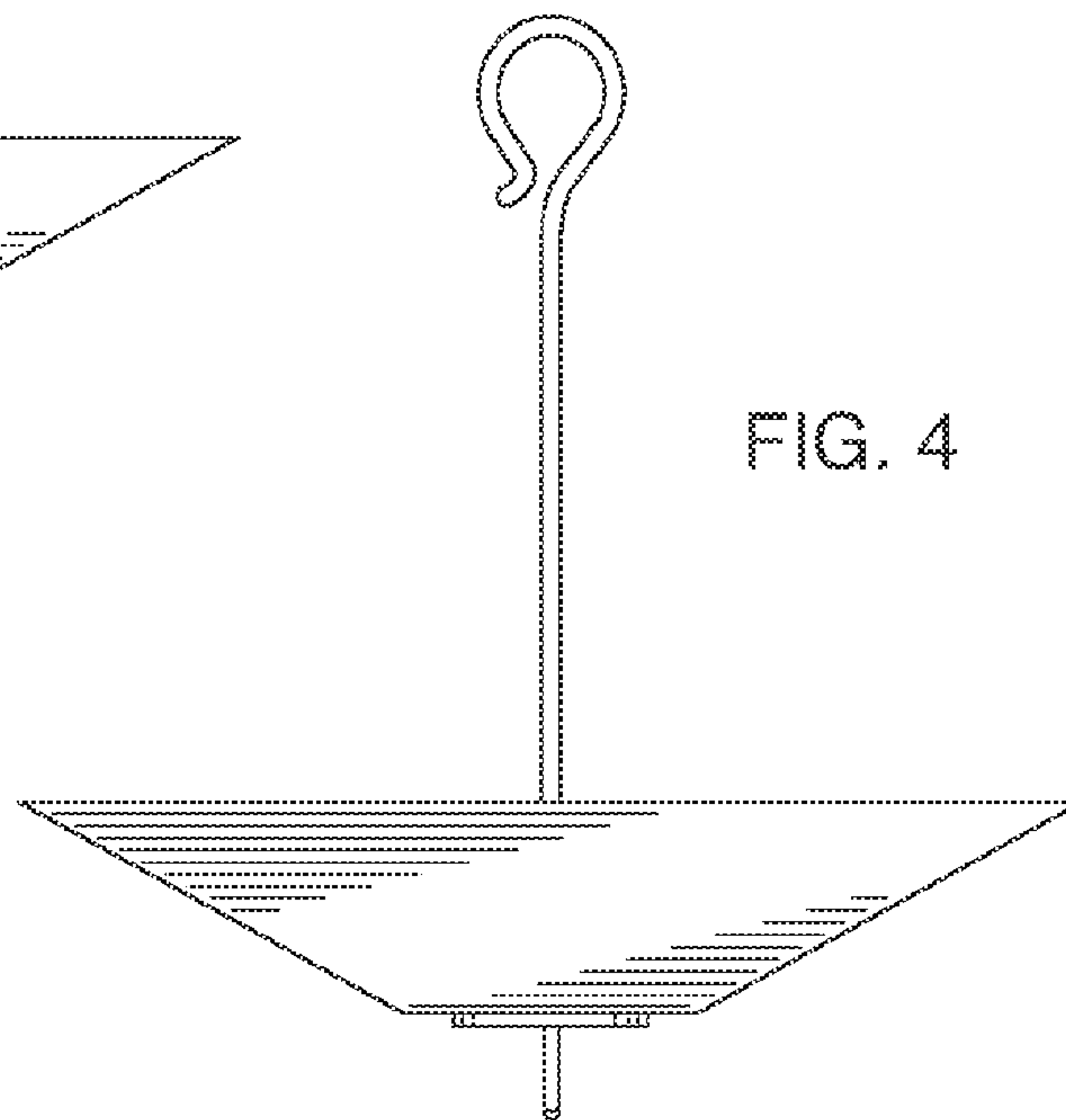


FIG. 4

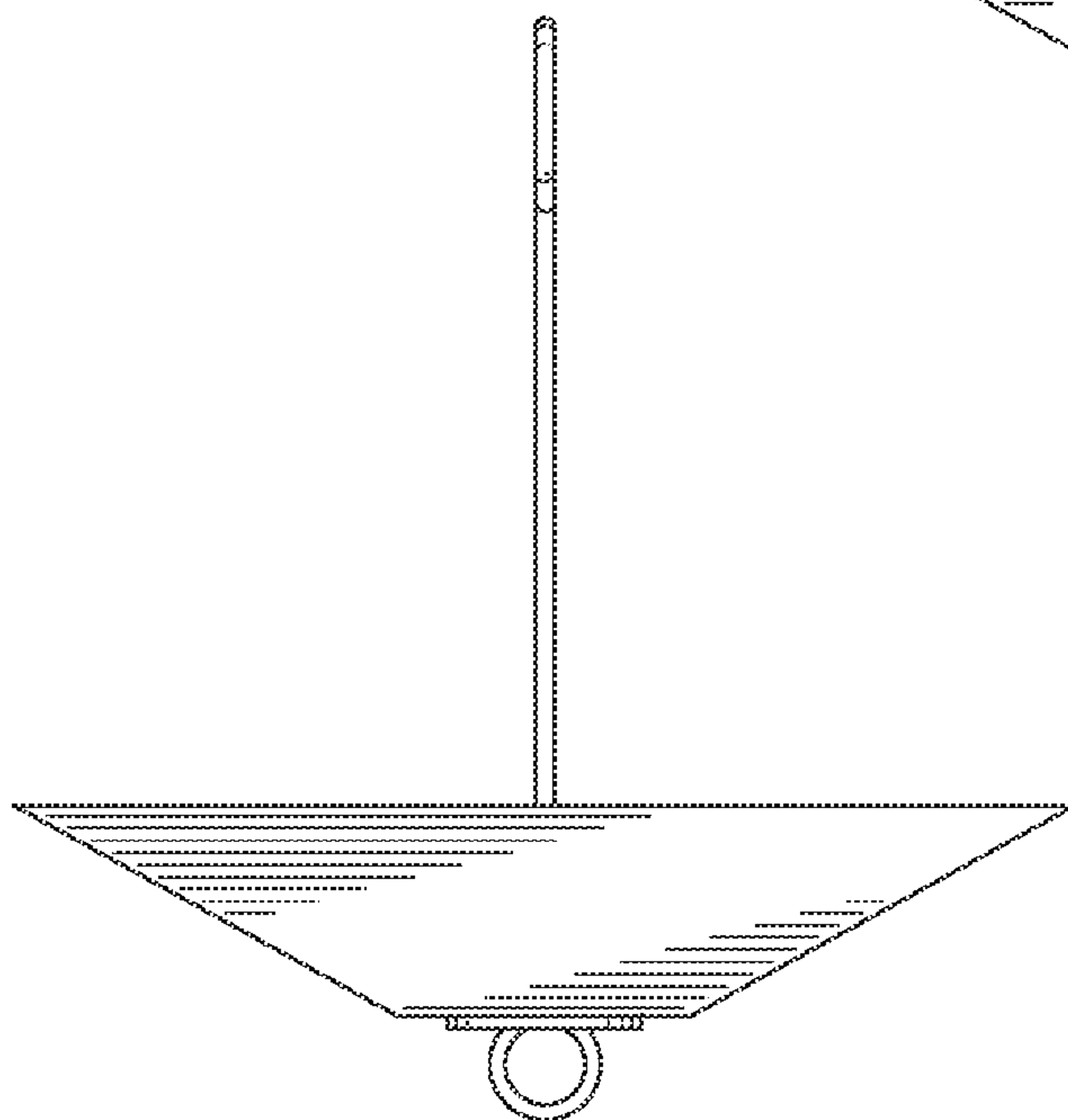


FIG. 5

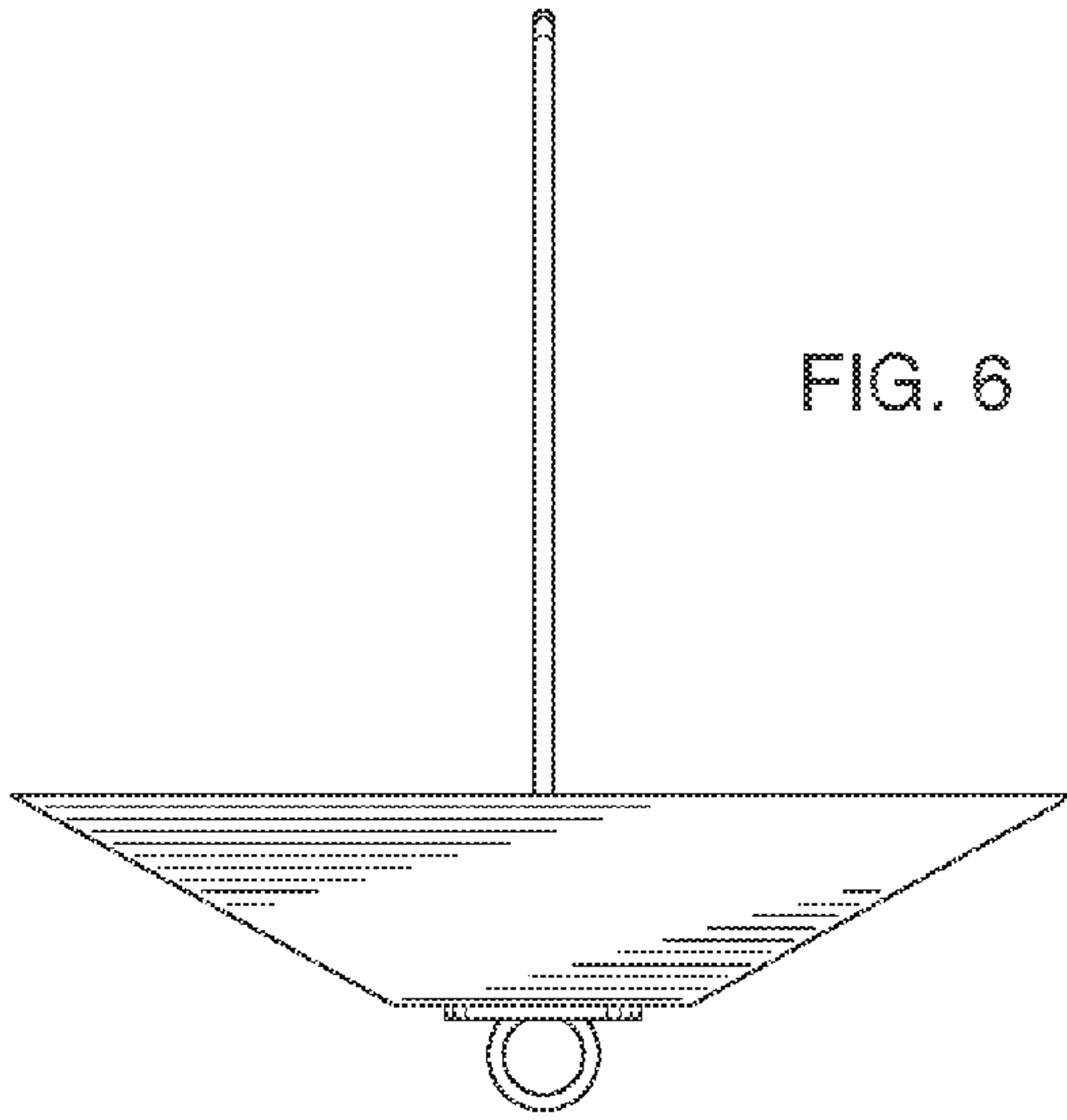


FIG. 6

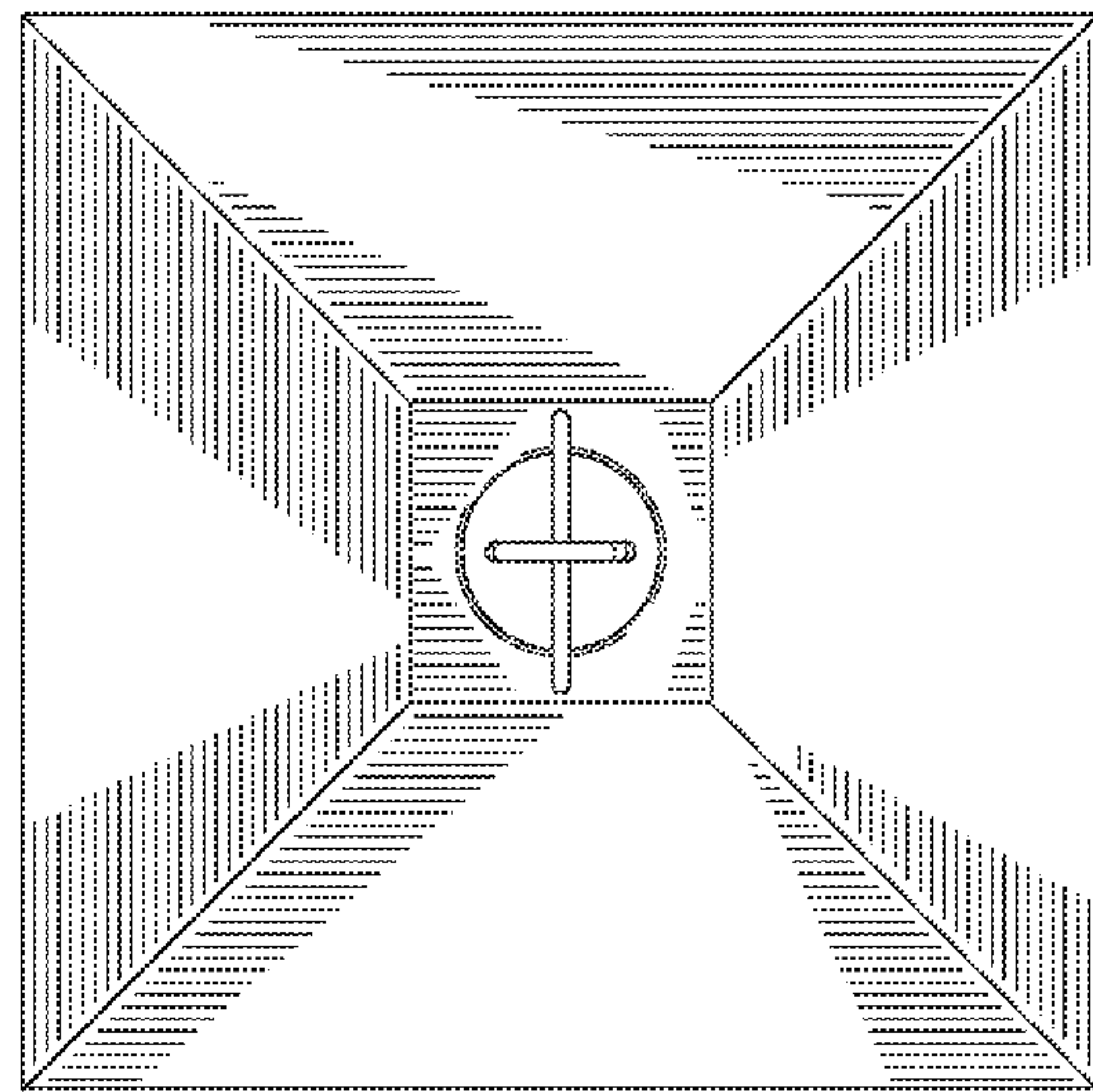


FIG. 7

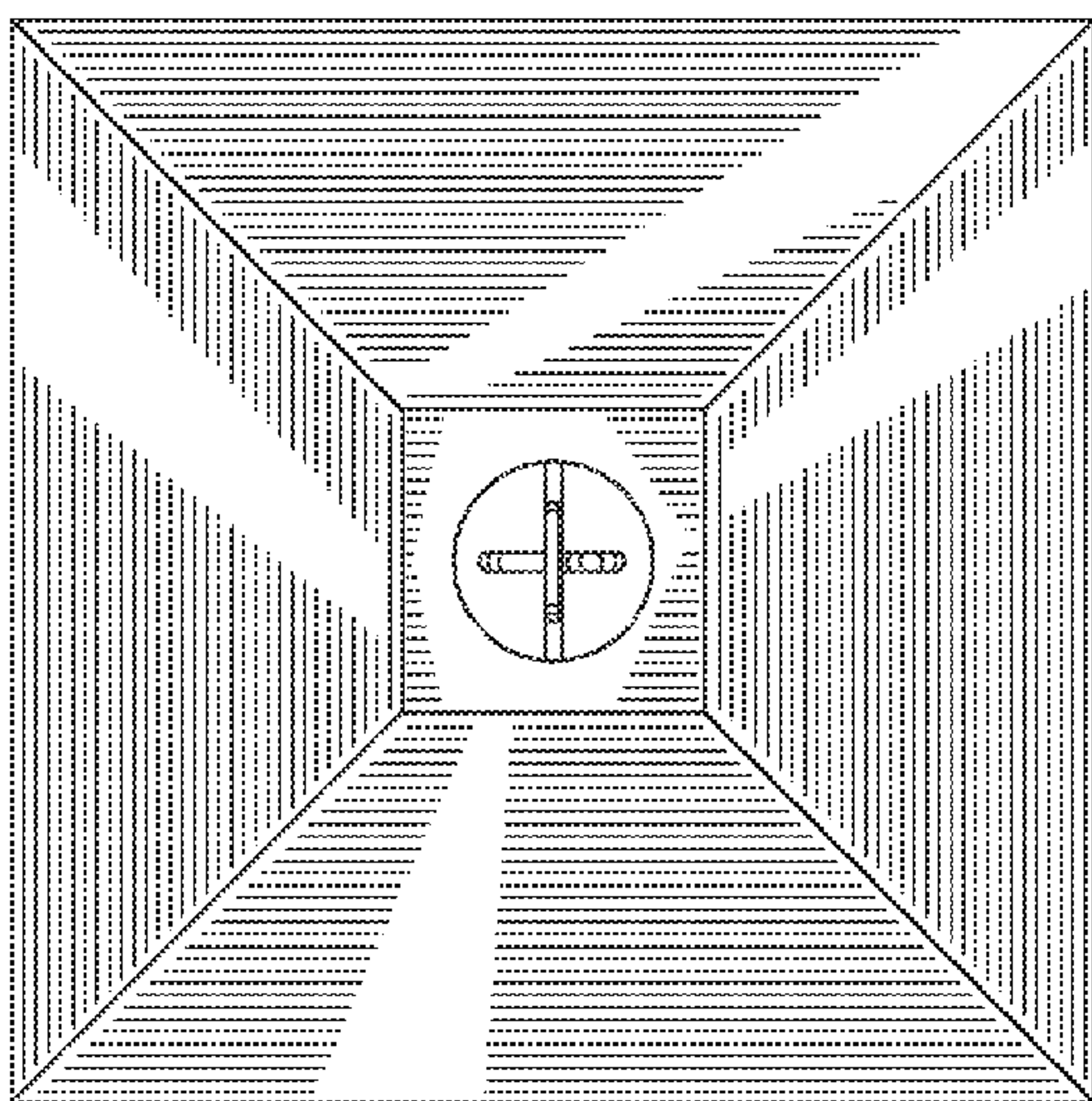


FIG. 8