



US00D651294S

(12) **United States Design Patent**  
**Beall**

(10) **Patent No.:** **US D651,294 S**  
(45) **Date of Patent:** **\*\* Dec. 27, 2011**

(54) **RAIN CHAIN WATER FEATURE**

(76) Inventor: **Garm Beall**, Canoga Park, CA (US)

(\*\*) Term: **14 Years**

(21) Appl. No.: **29/385,749**

(22) Filed: **Feb. 18, 2011**

(51) **LOC (9) Cl.** ..... **23-01**

(52) **U.S. Cl.** ..... **D23/267**

(58) **Field of Classification Search** ..... D23/267;  
D3/5-17; D11/12-13; 52/11-12, 16; 137/615  
See application file for complete search history.

(56) **References Cited**

U.S. PATENT DOCUMENTS

D316,686	S	*	5/1991	Tardif	.....	D11/148
D422,784	S	*	4/2000	Au	.....	D3/5
D437,109	S	*	2/2001	Muscella	.....	D3/5
6,308,464	B1	*	10/2001	Demartini	.....	52/16
6,497,816	B2	*	12/2002	Naddy	.....	210/162
6,526,699	B1	*	3/2003	Foglio, Sr.	.....	52/15
D506,160	S	*	6/2005	Lambert	.....	D11/148
D515,184	S	*	2/2006	Beall	.....	D23/267
D519,191	S	*	4/2006	Beall	.....	D23/267
D547,423	S	*	7/2007	Lindsay	.....	D23/267
D569,488	S	*	5/2008	Lindsay	.....	D23/267
D603,483	S	*	11/2009	Lindsay	.....	D23/267

OTHER PUBLICATIONS

Website: <http://www.rainchains.com/4242-WateringCan.html> with copyright date of 2001-2007.\*

\* cited by examiner

*Primary Examiner* — T. Chase Nelson

*Assistant Examiner* — Eric Goodman

(74) *Attorney, Agent, or Firm* — Kelly Lowry & Kelley, LLP

(57) **CLAIM**

The ornamental design for a rain chain water feature, as shown and described.

**DESCRIPTION**

FIG. 1 is a perspective view of the rain chain water feature attached to a down-spout of a building, shown in phantom, and forming no portion of the claimed design;

FIG. 2 is a perspective view of multiple components of the rain chain water feature, interconnected to one another in a vertical chain, the additional components, shown in phantom, and forming no part of the claimed design.

FIG. 3 is a front elevational view of the component of FIG. 2;

FIG. 4 is a rear elevational view of the component of FIG. 2;

FIG. 5 is a right side elevational view of the component of FIG. 2;

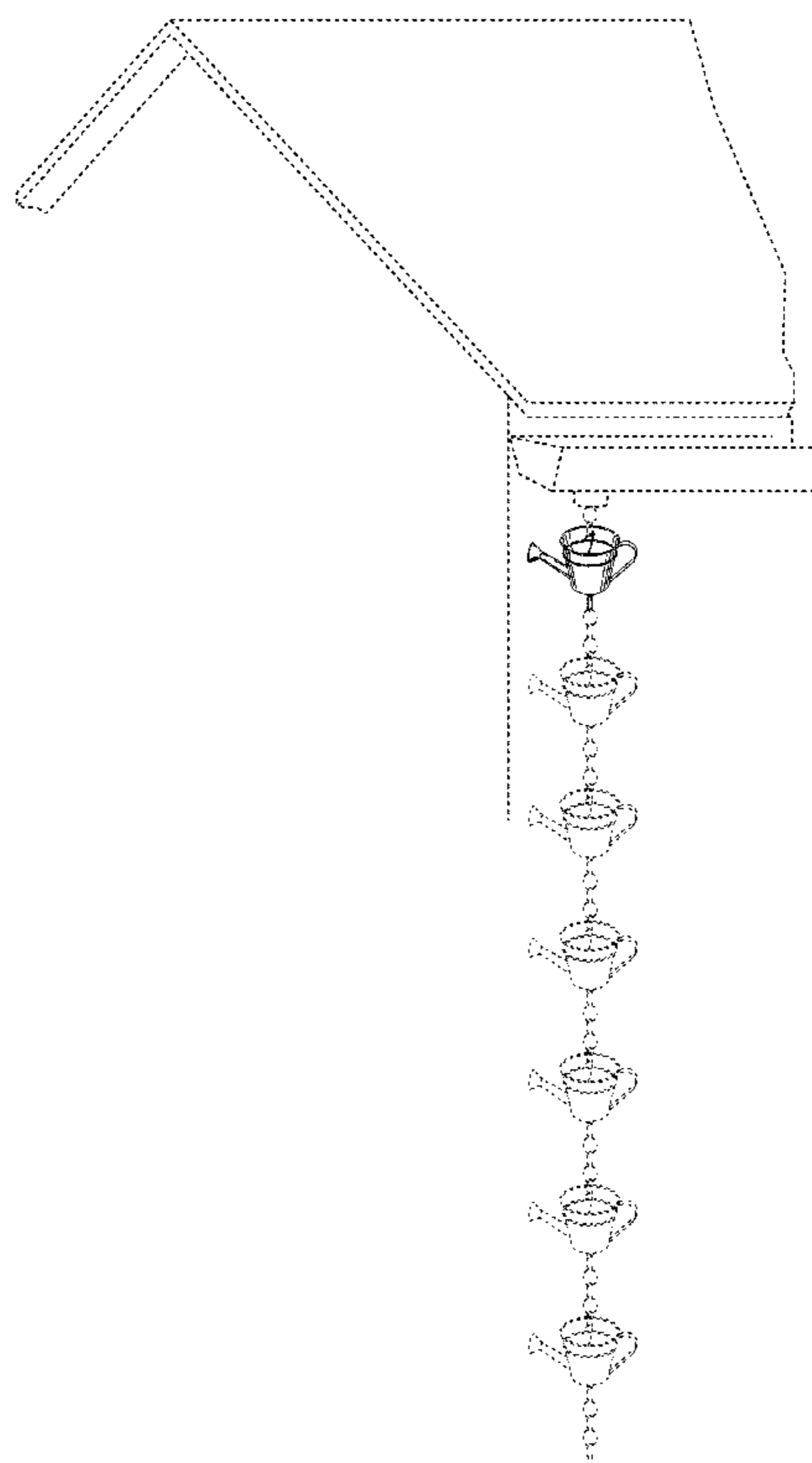
FIG. 6 is a left side elevational view of the component of FIG. 2;

FIG. 7 is a top plan view of the component of FIG. 2; and,

FIG. 8 is a bottom plan view of the component of FIG. 2.

The rain chain water feature is of an indeterminate length and is shown in section in FIGS. 2-8 for ease of illustration.

**1 Claim, 3 Drawing Sheets**



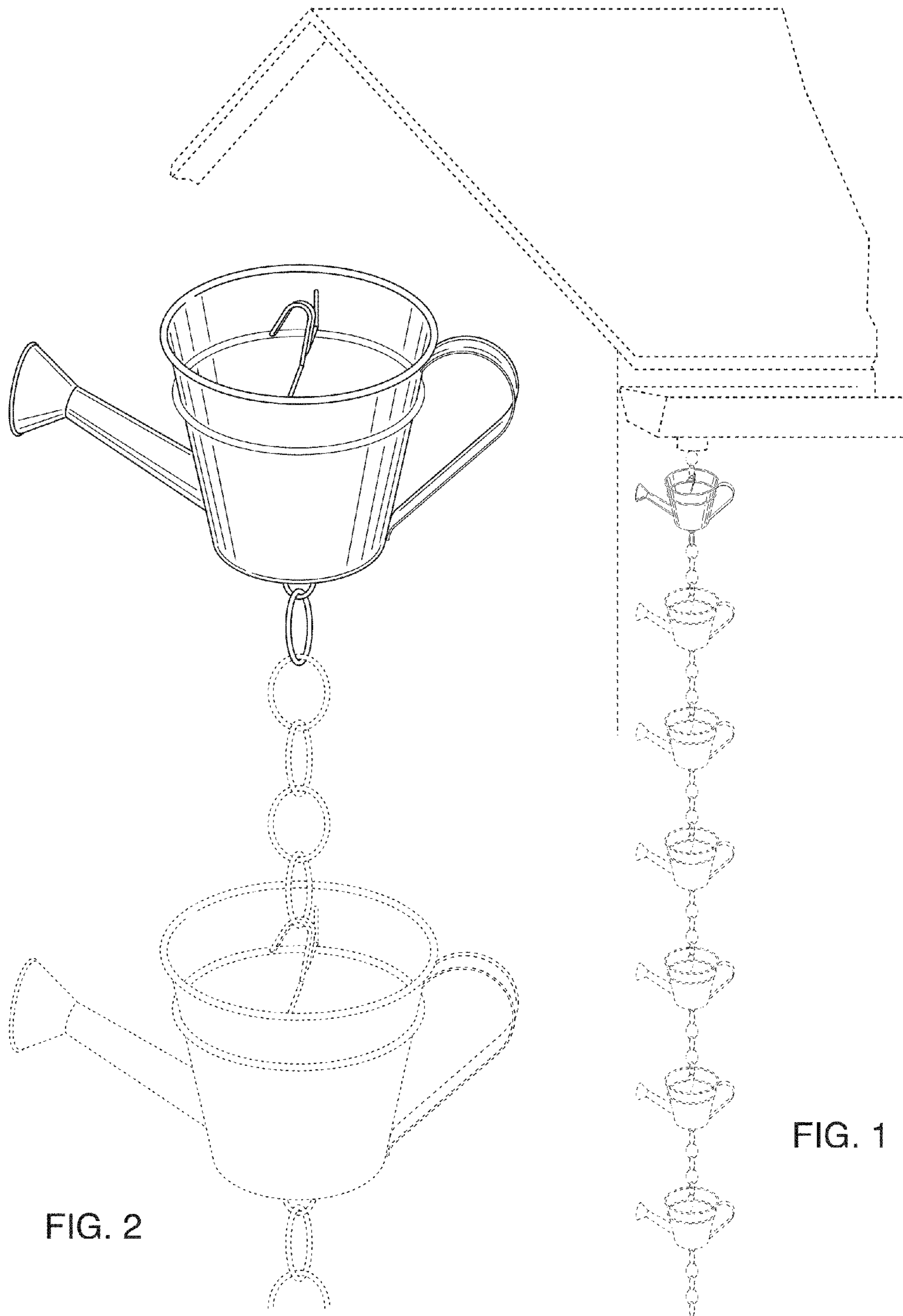


FIG. 2

FIG. 1

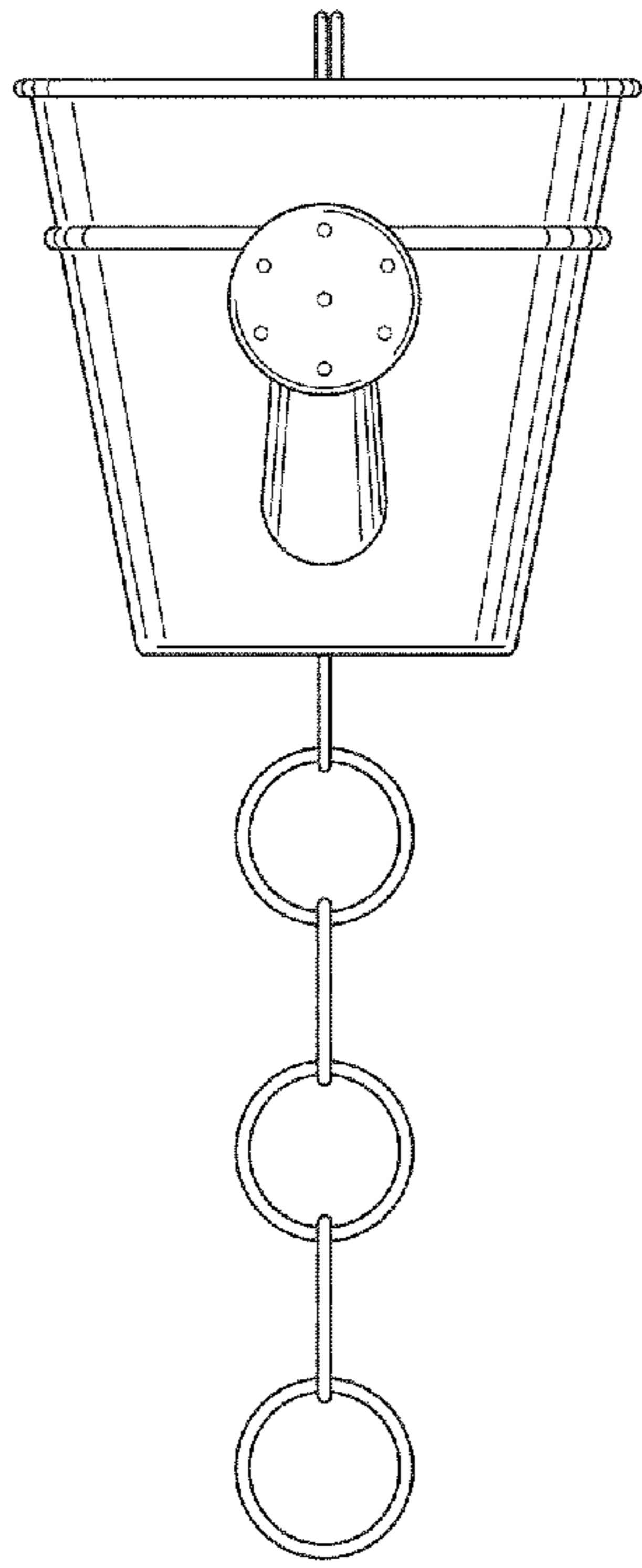


FIG. 3

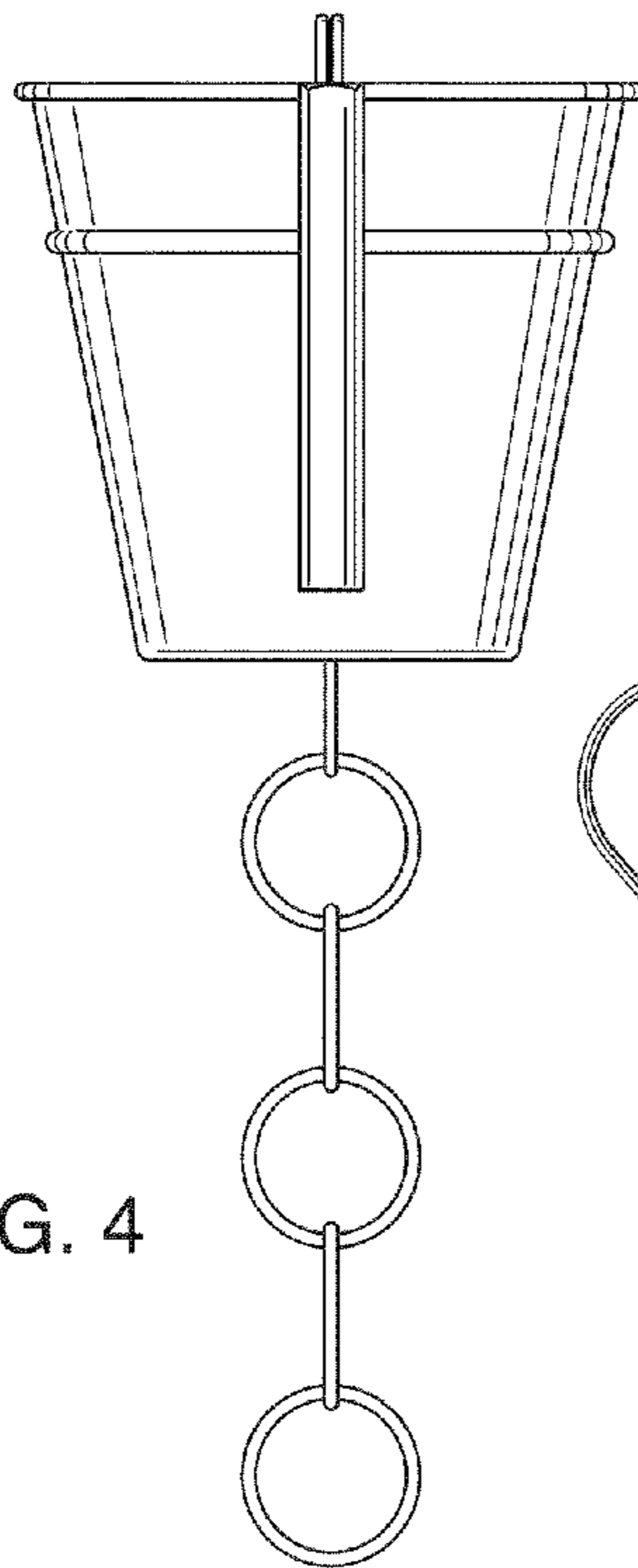


FIG. 4

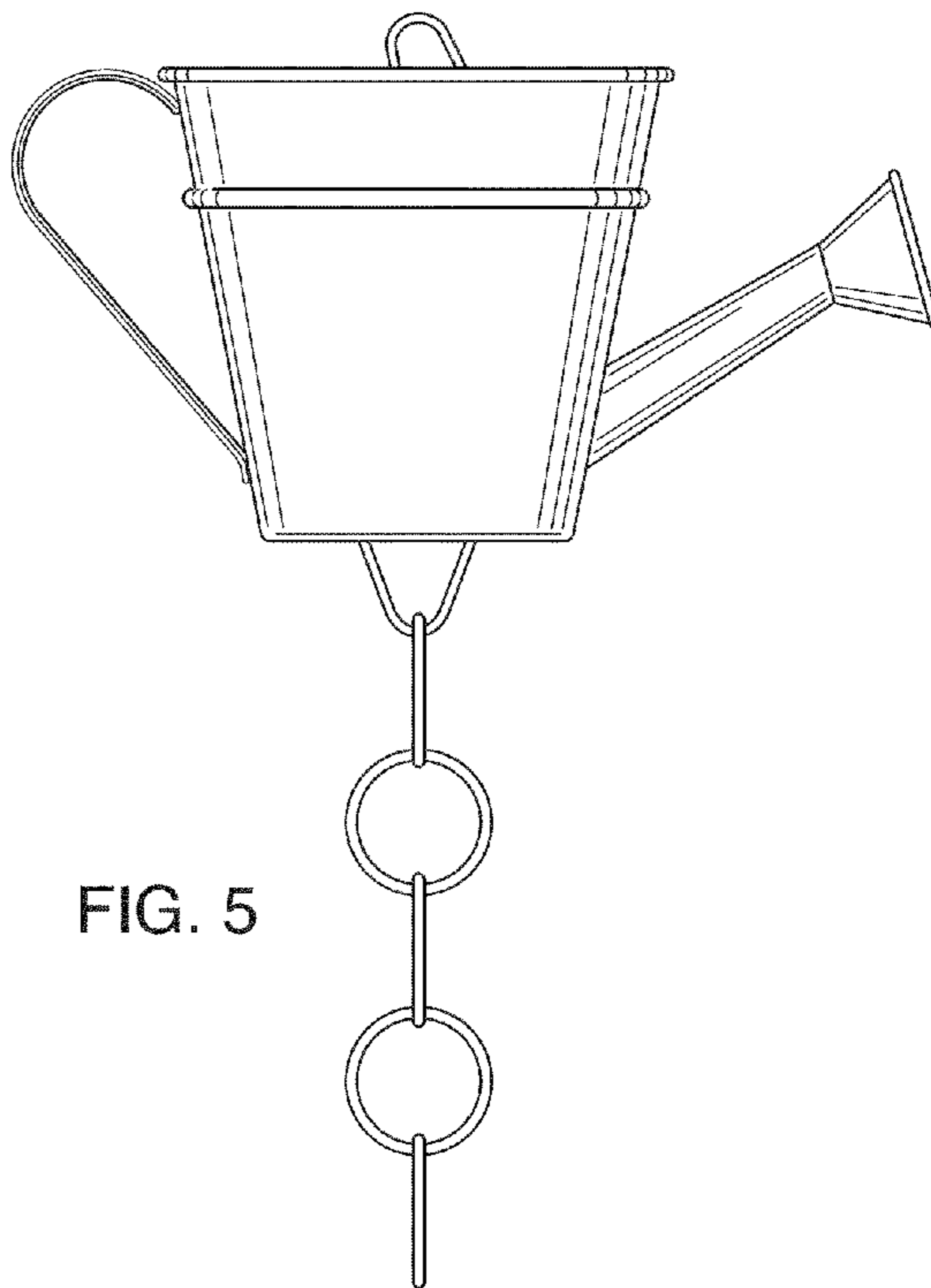


FIG. 5

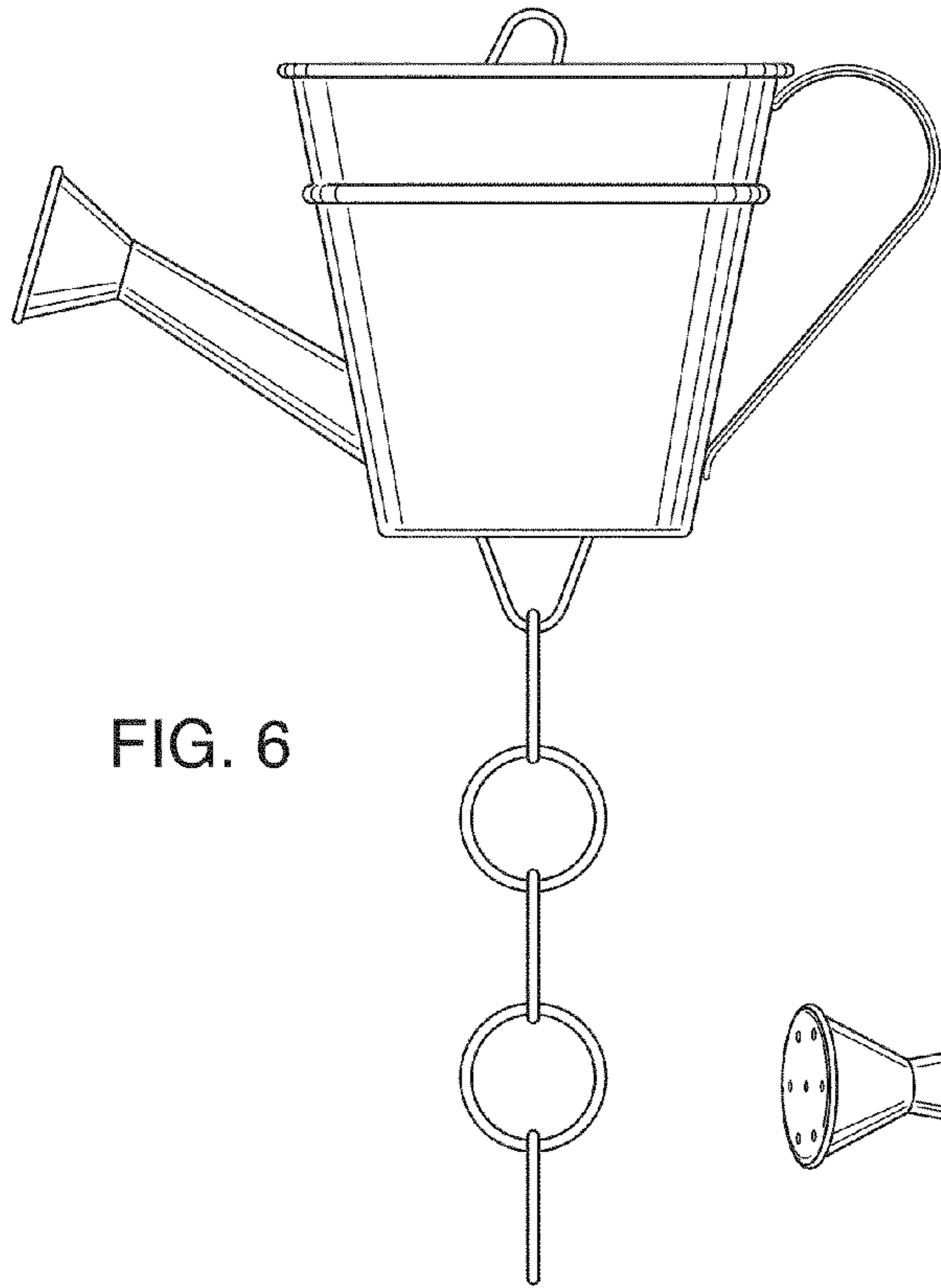


FIG. 6

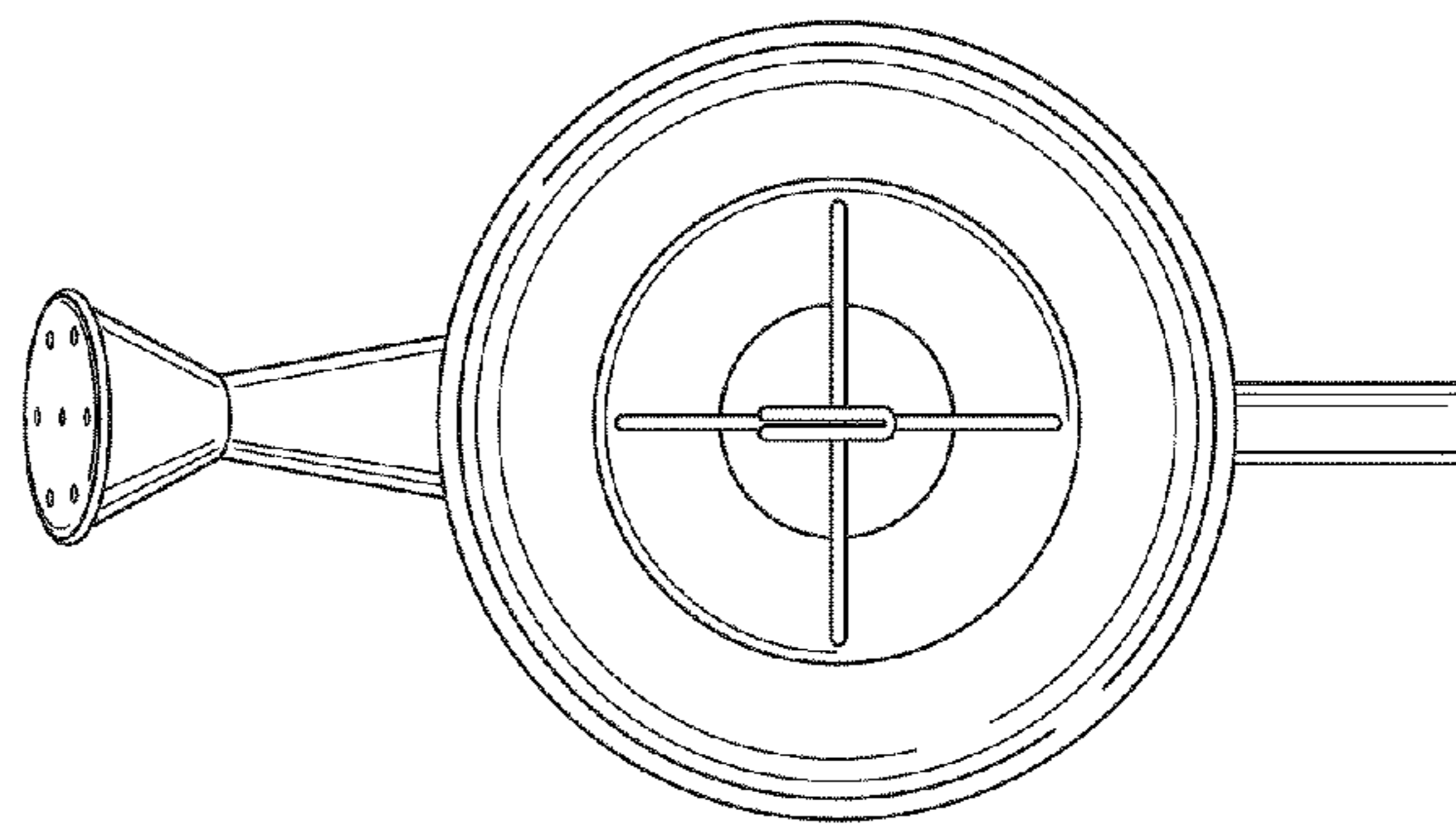


FIG. 7

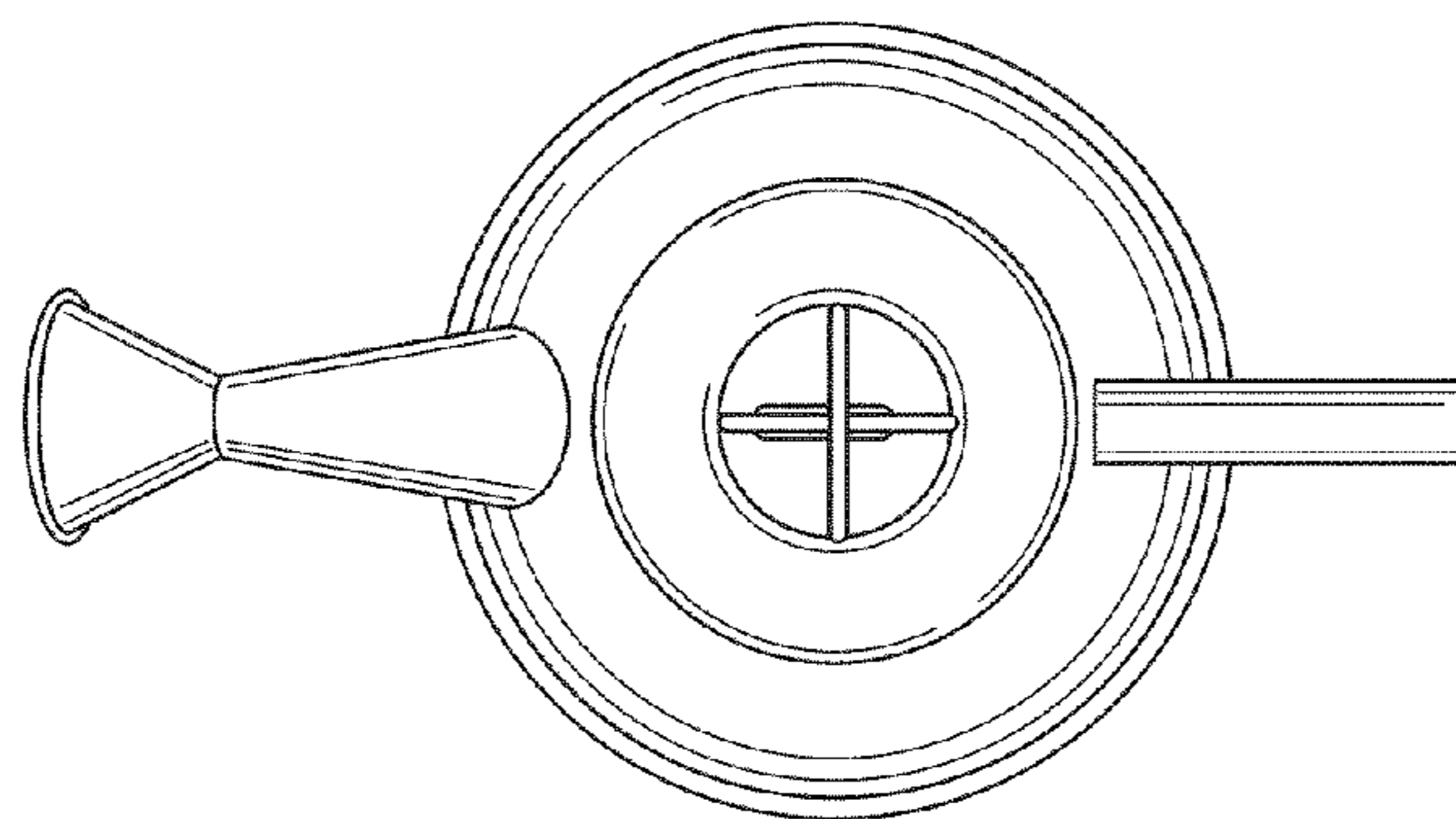


FIG. 8