



US00D651293S

(12) **United States Design Patent**  
**Sager, Sr.**

(10) **Patent No.:** **US D651,293 S**

(45) **Date of Patent:** **\*\* Dec. 27, 2011**

(54) **GUTTER SHIELD**

(76) Inventor: **William C. Sager, Sr.**, Hamburg, NY  
(US)

(\*\*) Term: **14 Years**

(21) Appl. No.: **29/379,358**

(22) Filed: **Nov. 18, 2010**

(51) **LOC (9) Cl.** ..... **23-01**

(52) **U.S. Cl.** ..... **D23/267**

(58) **Field of Classification Search** ..... D23/267;  
52/11-13, 16; 248/48.1; 404/4-5, 2; 405/118;  
D25/119

See application file for complete search history.

(56) **References Cited**

U.S. PATENT DOCUMENTS

3,501,873	A *	3/1970	Berg	52/11
4,000,587	A	1/1977	Weber	
4,195,452	A	4/1980	Smith	
4,254,594	A	3/1981	Hammond	
4,300,319	A	11/1981	Frost	
4,445,301	A	5/1984	Tanski	
5,740,633	A *	4/1998	Champagne	52/11
6,035,587	A	3/2000	Dressler	
D479,751	S *	9/2003	Schofield	D25/119
6,745,517	B2 *	6/2004	Vahldieck	52/12
6,988,335	B2 *	1/2006	Eyers	52/12
D615,632	S *	5/2010	Wootton	D23/267
D621,484	S *	8/2010	Wootton	D23/267
2008/0047206	A1 *	2/2008	Gramling	52/12

\* cited by examiner

*Primary Examiner* — T. Chase Nelson

*Assistant Examiner* — Eric Goodman

(74) *Attorney, Agent, or Firm* — Vincent G. LoTempia;  
Brendan S. Lillis; Douglas Smith

(57) **CLAIM**

The ornamental design for a gutter shield, as shown and described.

**DESCRIPTION**

FIG. 1 is a perspective view of the gutter shield installed on a house; the gutter shield is shown separated and bracketed to indicate that the precise length is not claimed;

FIG. 2 is a perspective view of my design shown separated and bracketed to indicate that the precise length is not claimed;

FIG. 3 is a right side view of my design with the left side being a mirror image thereof;

FIG. 4 is a top view of my design shown separated and bracketed to indicate that the precise length is not claimed;

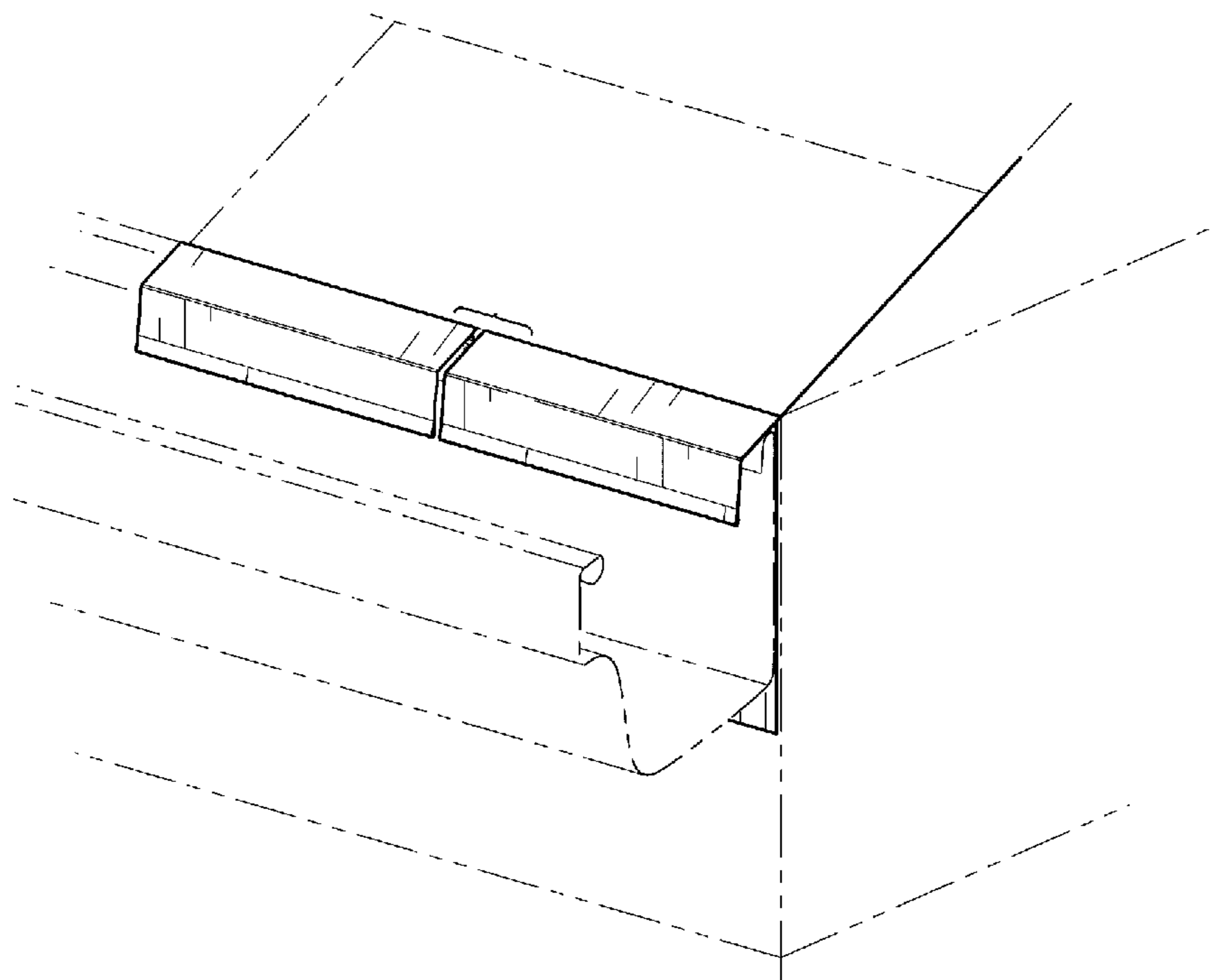
FIG. 5 is a bottom view of my design shown separated and bracketed to indicate that the precise length is not claimed;

FIG. 6 is a front view of my design shown separated and bracketed to indicate that the precise length is not claimed; and,

FIG. 7 is a back view of my design shown separated and bracketed to indicate that the precise length is not claimed.

The broken lines depict environmental structures of the house and gutter, and form no part of the claimed invention.

**1 Claim, 7 Drawing Sheets**



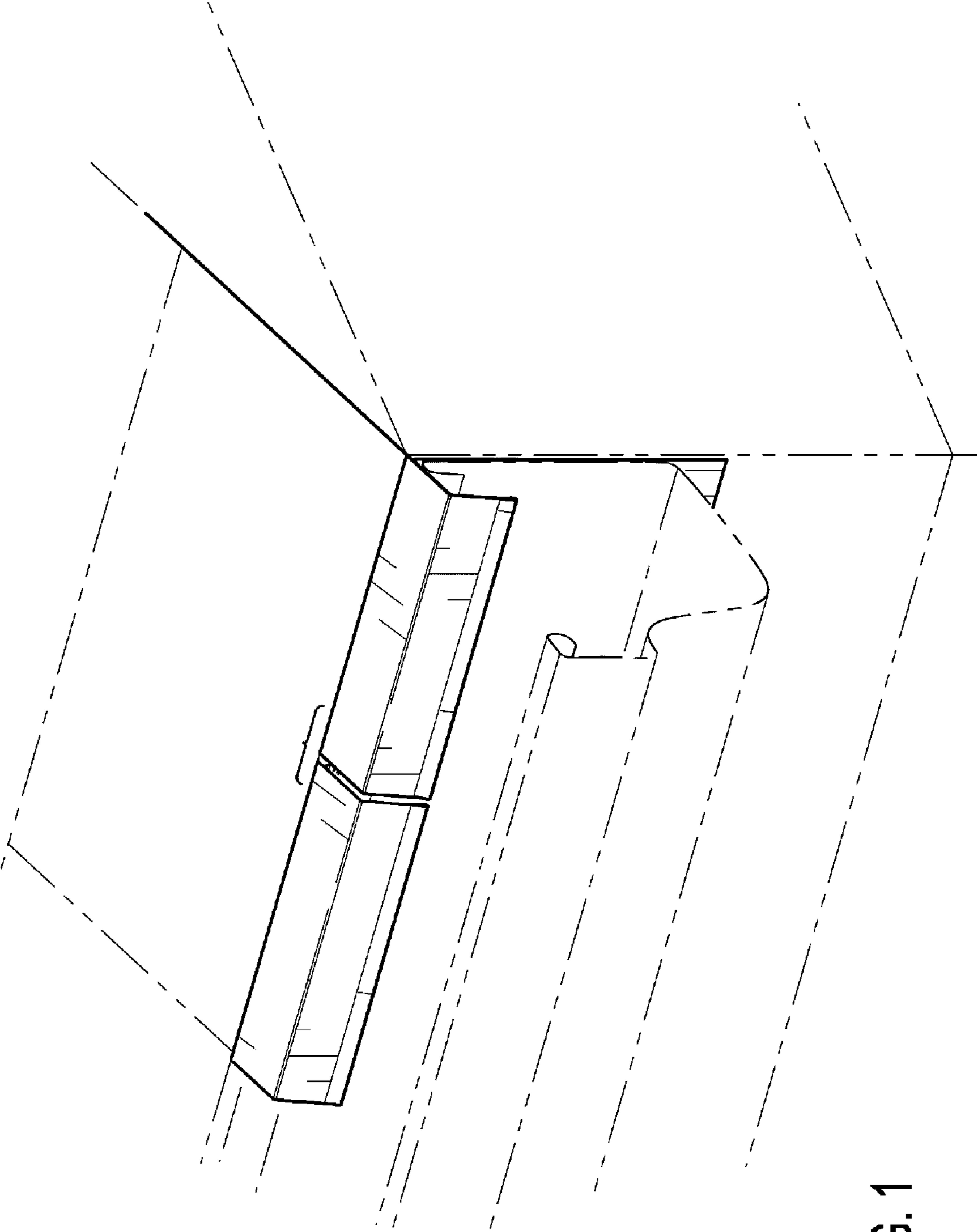


FIG. 1

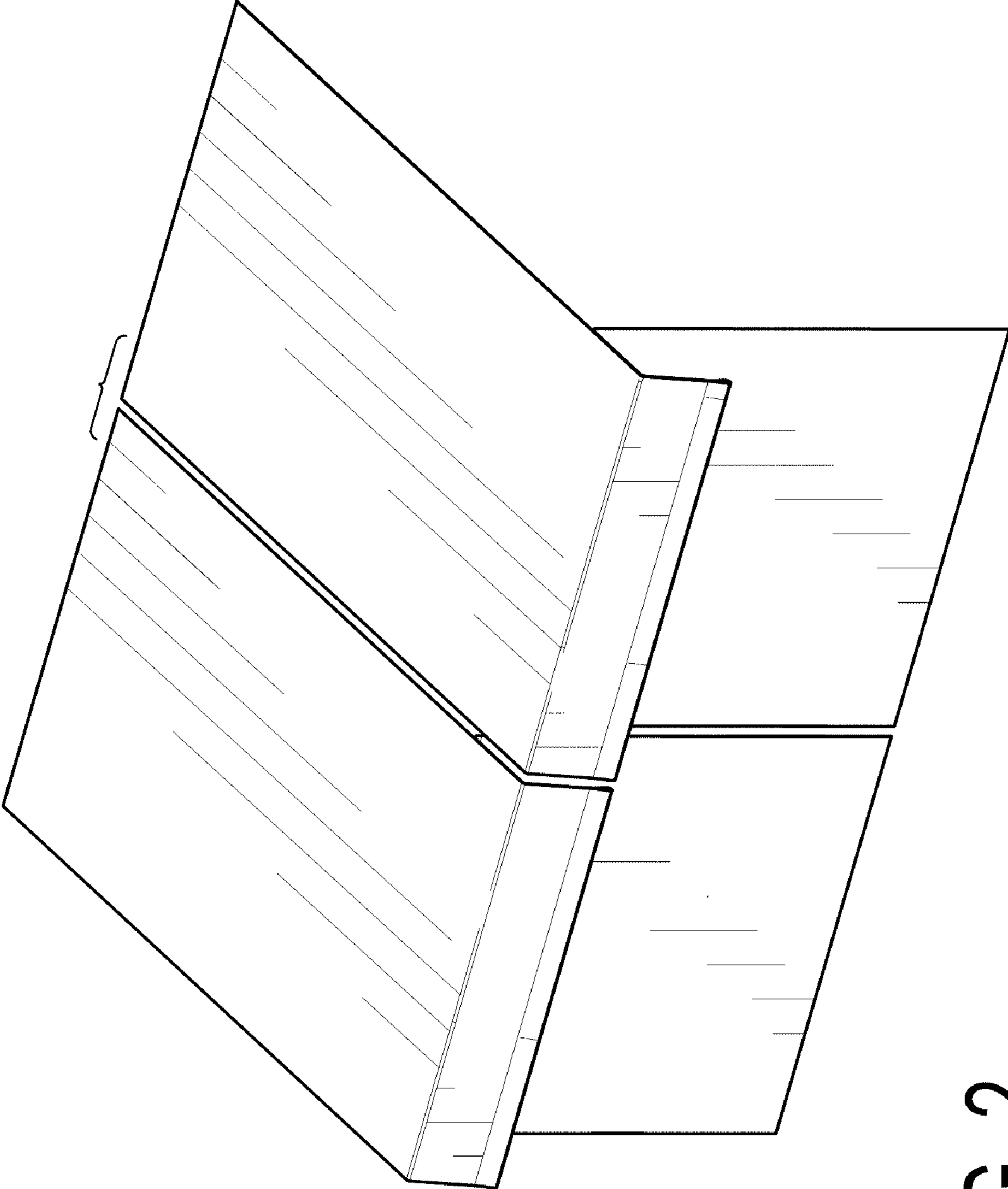


FIG. 2

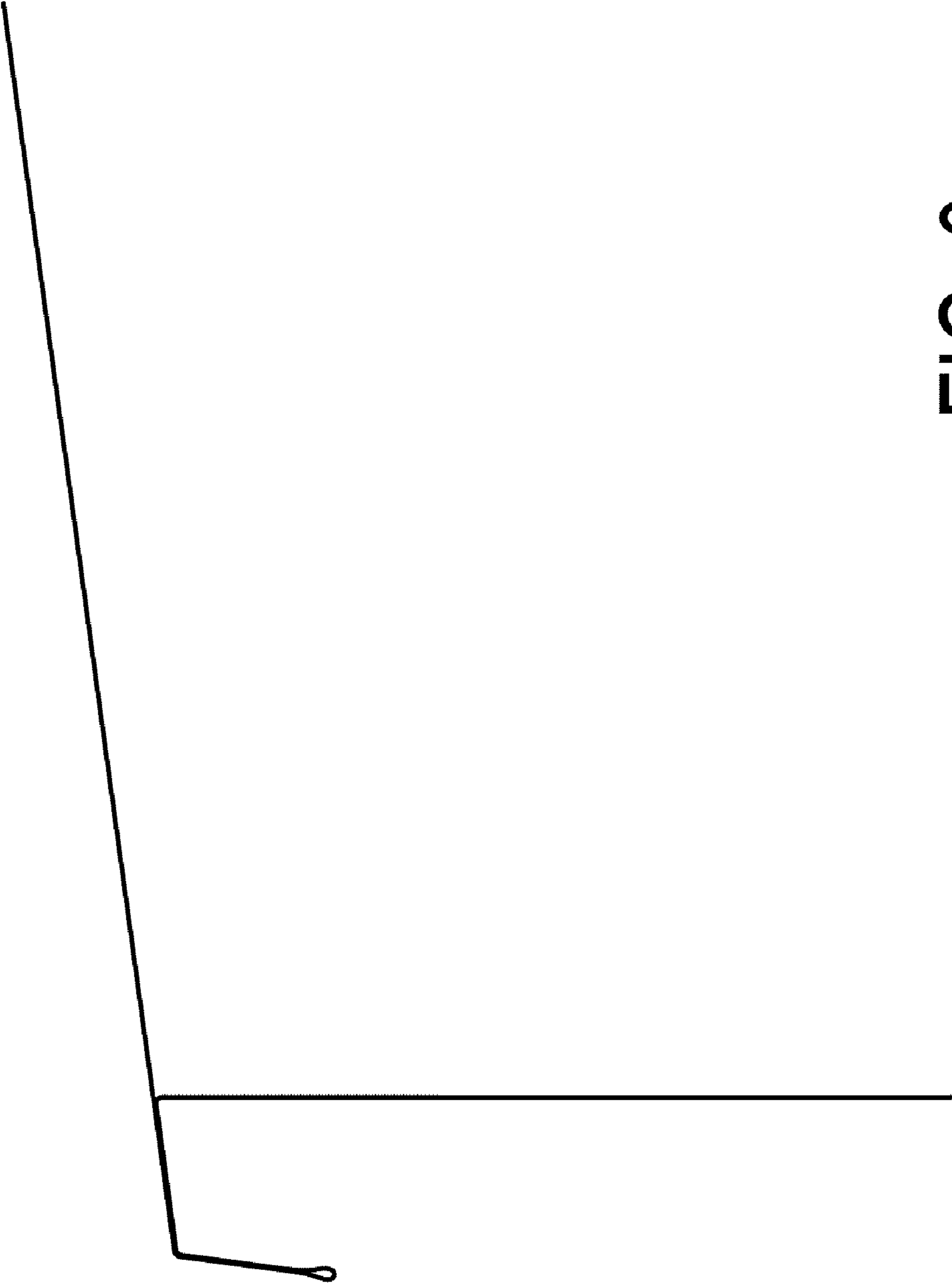


FIG. 3

FIG. 4

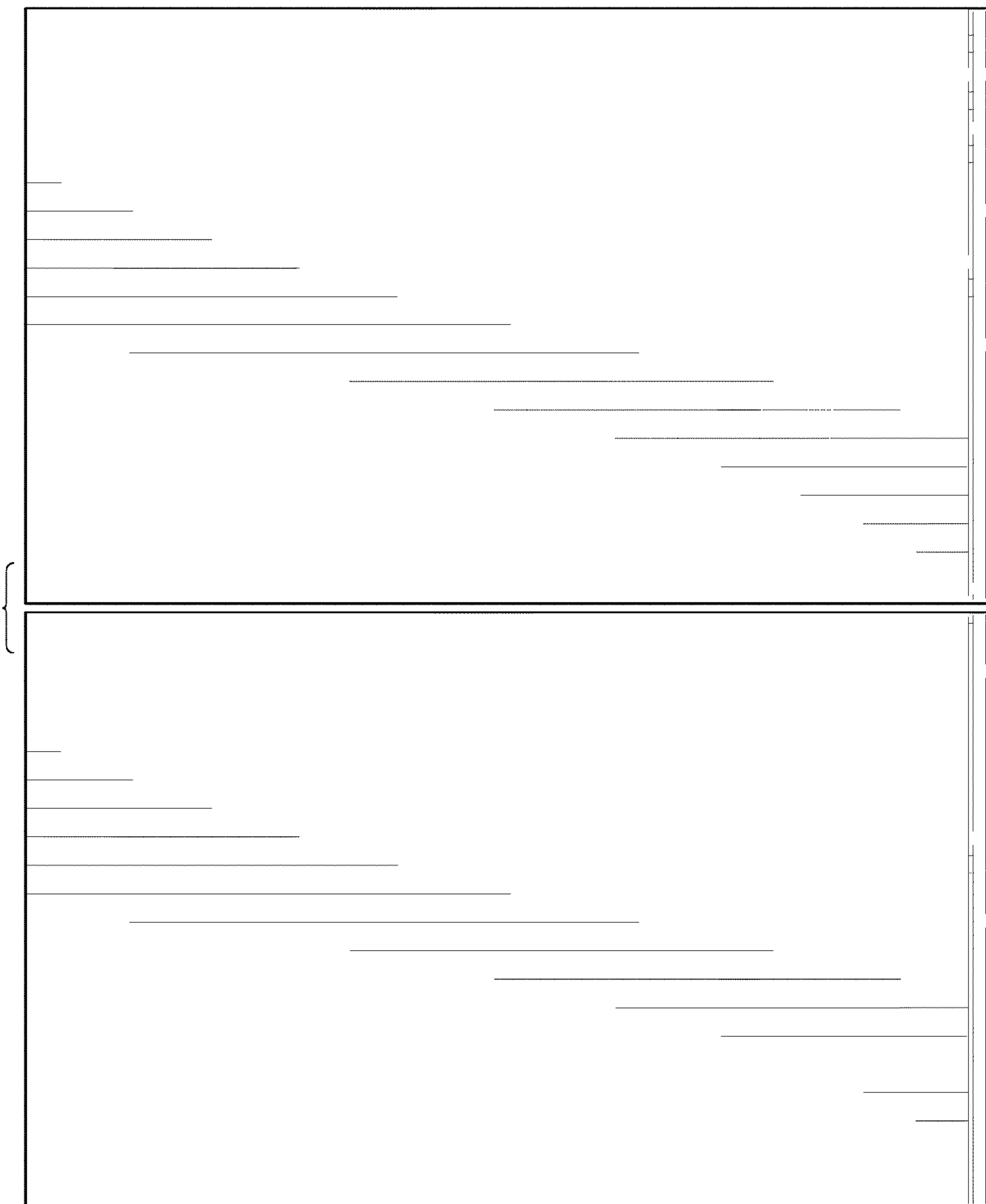
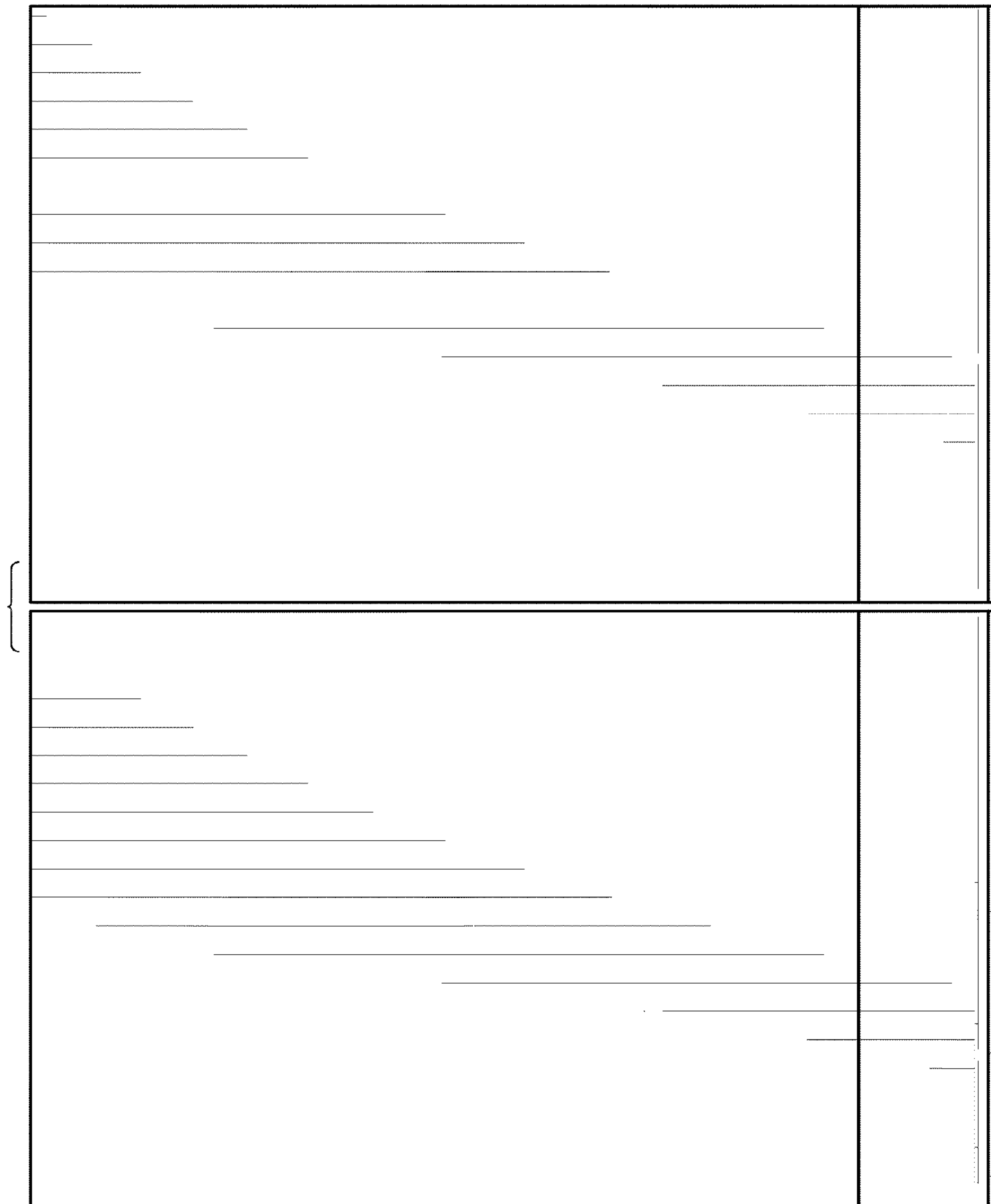


FIG. 5



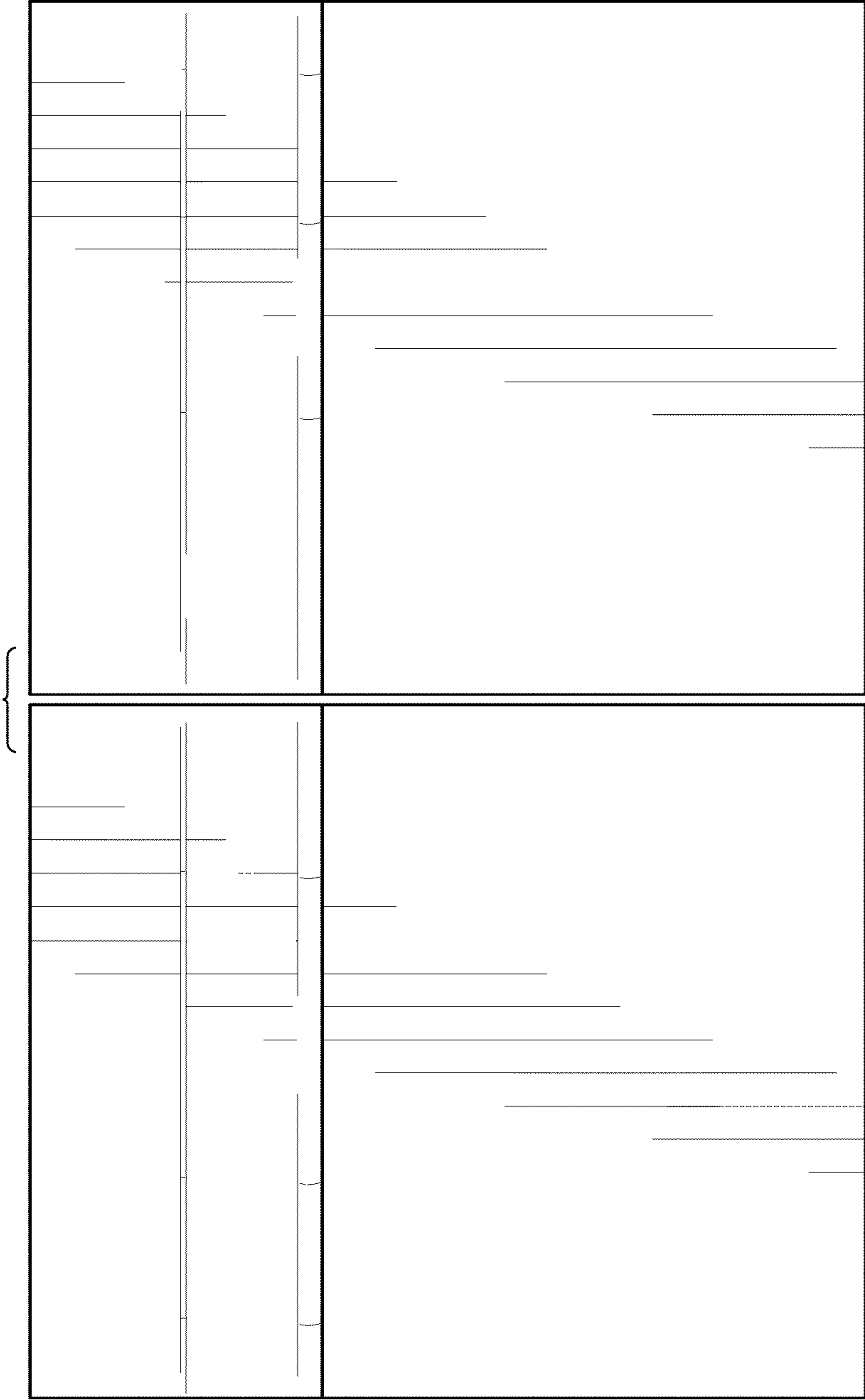


FIG. 6

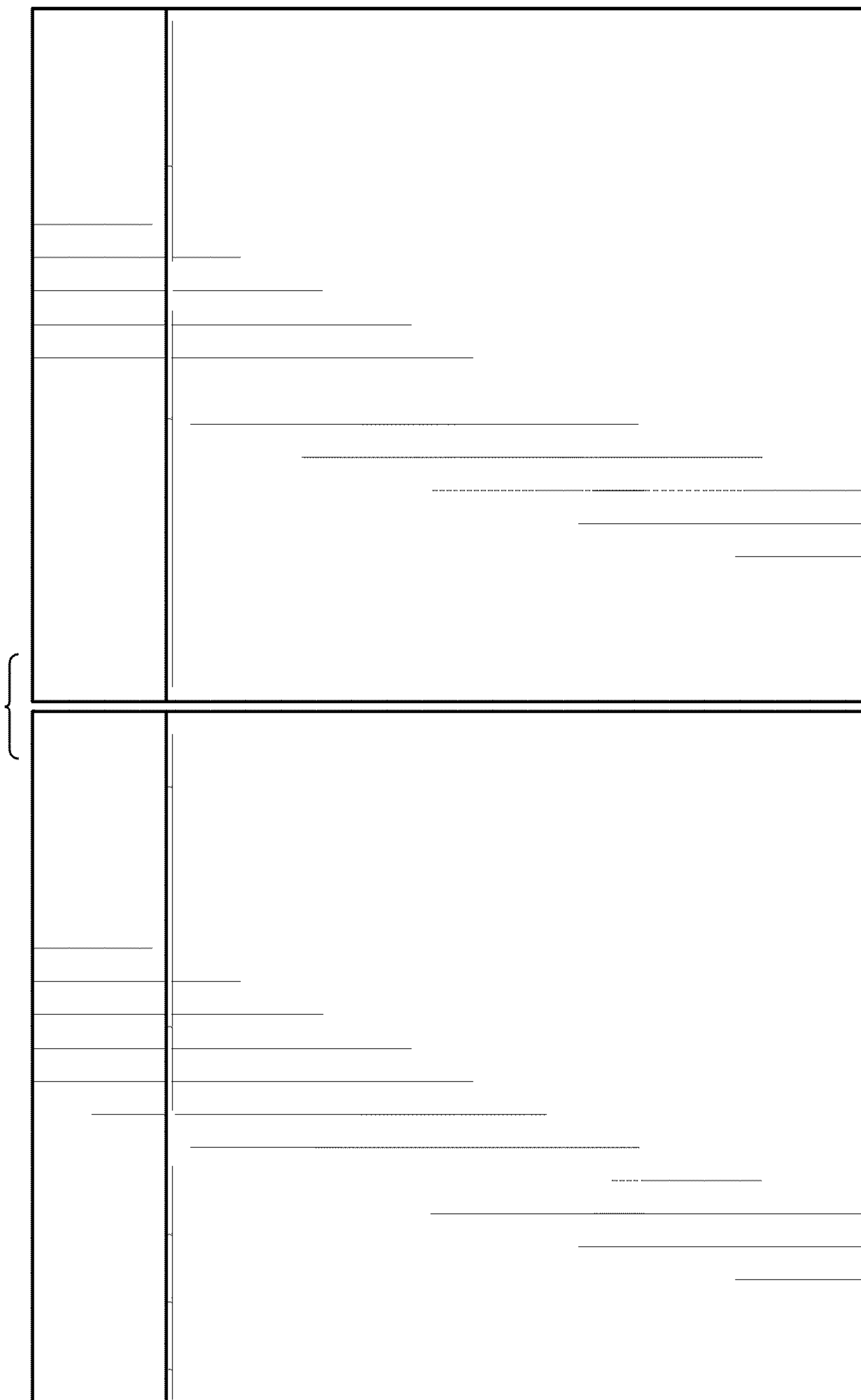


FIG. 7