



US00D651289S

(12) **United States Design Patent**
Beall

(10) **Patent No.:** **US D651,289 S**

(45) **Date of Patent:** **** Dec. 27, 2011**

(54) **RAIN CHAIN WATER FEATURE**

(76) Inventor: **Garm Beall**, Canoga Park, CA (US)

(**) Term: **14 Years**

(21) Appl. No.: **29/385,752**

(22) Filed: **Feb. 18, 2011**

(51) **LOC (9) Cl.** **23-01**

(52) **U.S. Cl.** **D23/261**

(58) **Field of Classification Search** D23/267;
D3/5-17; D11/12-13; 52/11-12, 16; 137/615
See application file for complete search history.

(56) **References Cited**

U.S. PATENT DOCUMENTS

D316,686 S *	5/1991	Tardif	D11/148
D422,784 S *	4/2000	Au	D3/5
D437,109 S *	2/2001	Muscella	D3/5
6,308,464 B1 *	10/2001	Demartini	52/16
6,497,816 B2 *	12/2002	Naddy	210/162
6,526,699 B1 *	3/2003	Foglio, Sr.	52/15
D506,160 S *	6/2005	Lambert	D11/148
D515,184 S *	2/2006	Beall	D23/267
D519,191 S *	4/2006	Beall	D23/267
D547,423 S *	7/2007	Lindsay	D23/267
D569,488 S *	5/2008	Lindsay	D23/267
D603,483 S *	11/2009	Lindsay	D23/267

OTHER PUBLICATIONS

<http://www.rainchains.com/4237-umbrella.html>.*

* cited by examiner

Primary Examiner — T. Chase Nelson

Assistant Examiner — Eric Goodman

(74) *Attorney, Agent, or Firm* — Kelly Lowry & Kelley, LLP

(57) **CLAIM**

The ornamental design for a rain chain water feature, as shown and described.

DESCRIPTION

FIG. 1 is a perspective view of the rain chain water feature attached to a down-spout of a building, shown in phantom, and forming no portion of the claimed design;

FIG. 2 is a perspective view of multiple components of the rain chain water feature, interconnected to one another in a vertical chain, the additional components, shown in phantom, and forming no part of the claimed design.

FIG. 3 is a front elevational view of one of the components of FIG. 2;

FIG. 4 is a rear elevational view of one of the components of FIG. 2;

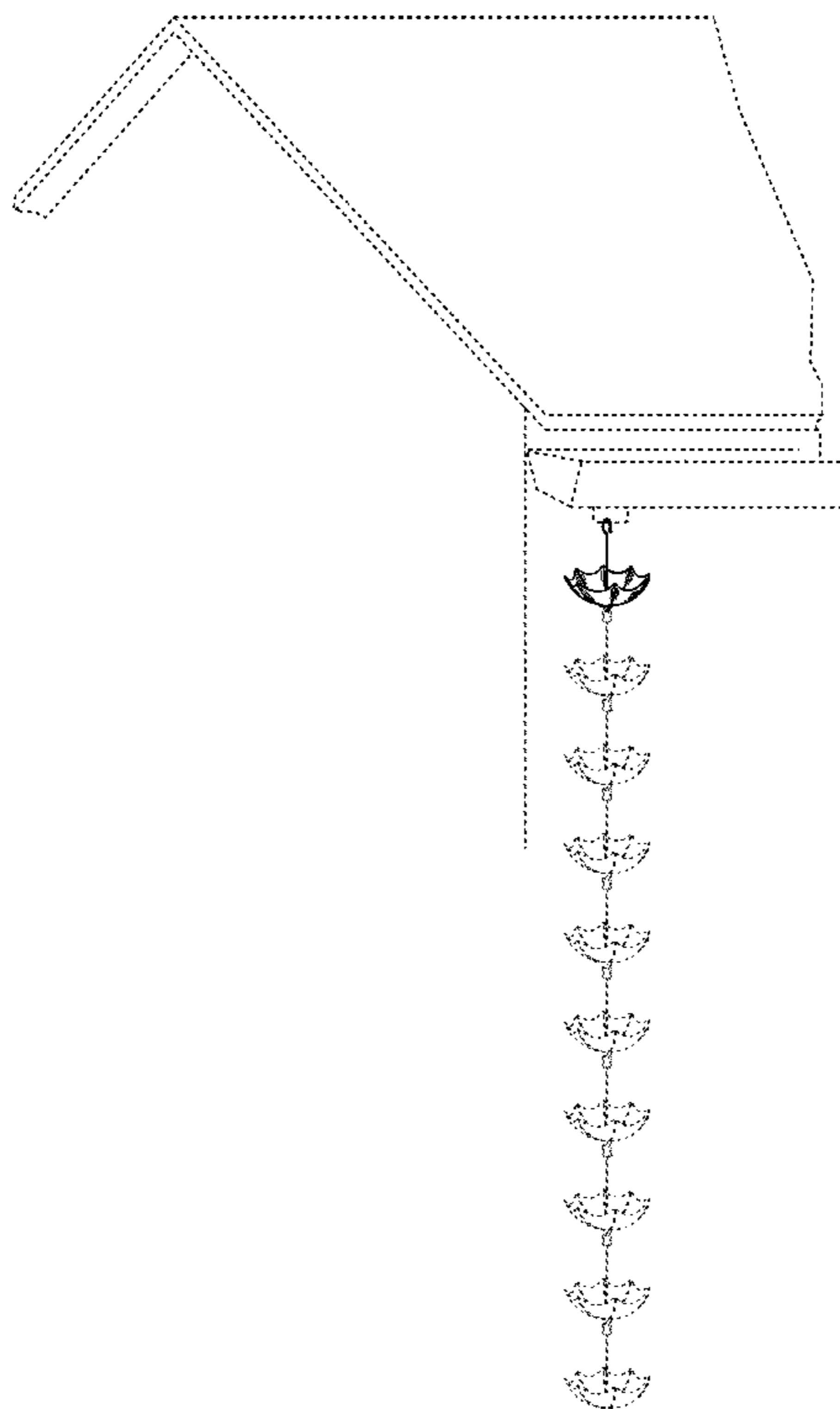
FIG. 5 is a right side elevational view of one of the components of FIG. 2;

FIG. 6 is a left side elevational view of one of the components of FIG. 2;

FIG. 7 is a top plan view of one of the components of FIG. 2; and,

FIG. 8 is a bottom plan view of one of the components of FIG. 2.

1 Claim, 3 Drawing Sheets



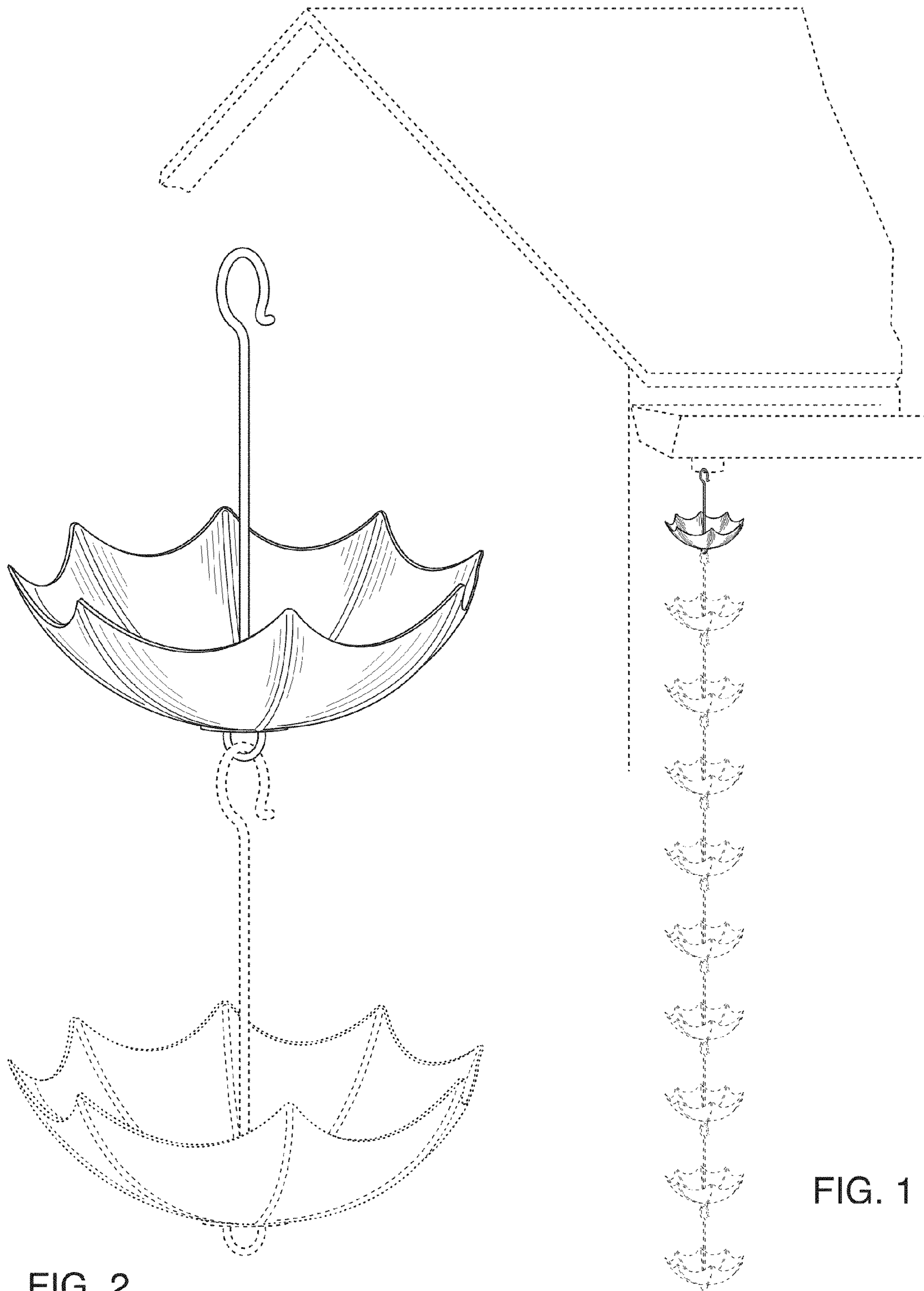


FIG. 2

FIG. 1

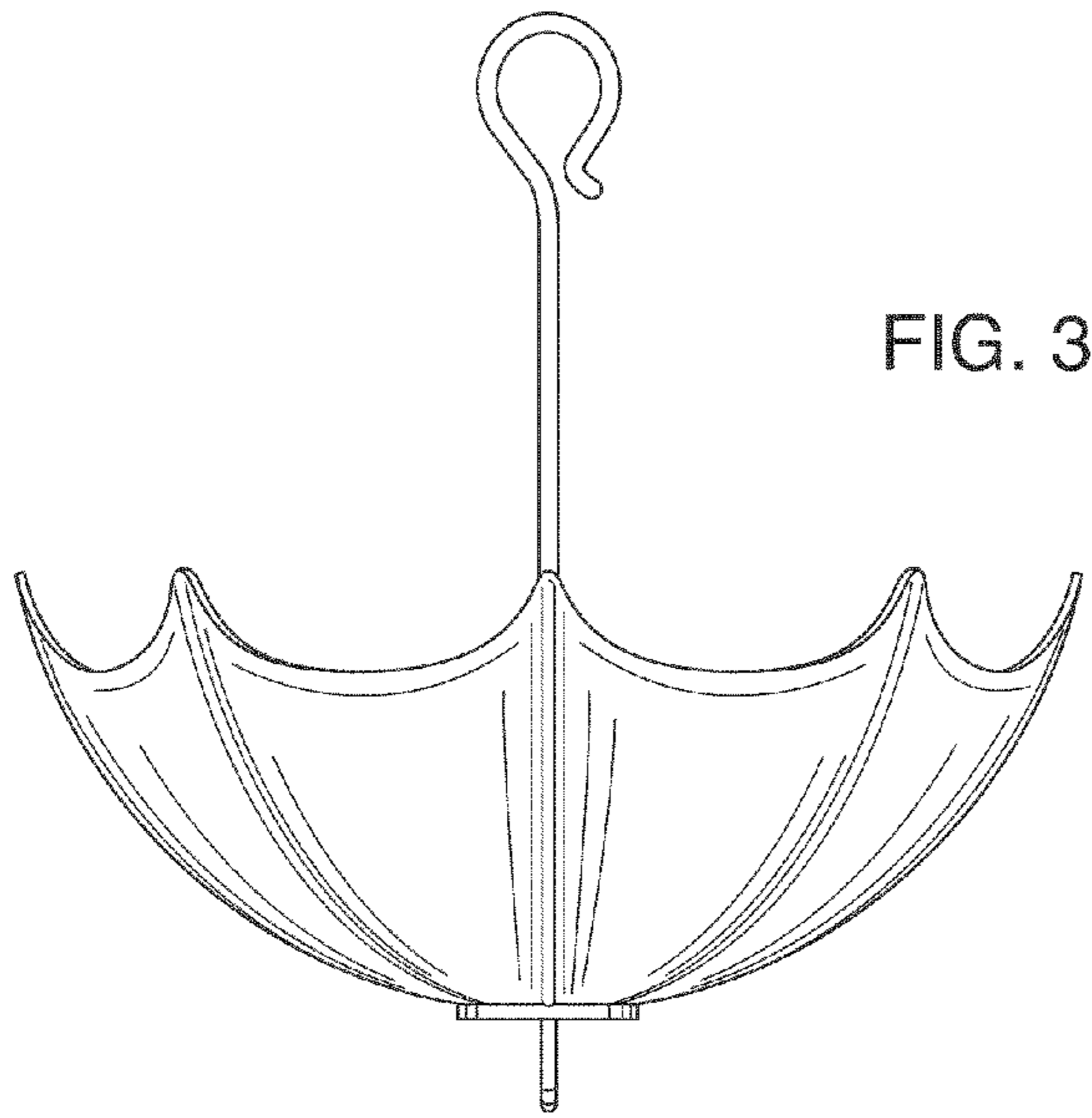


FIG. 3

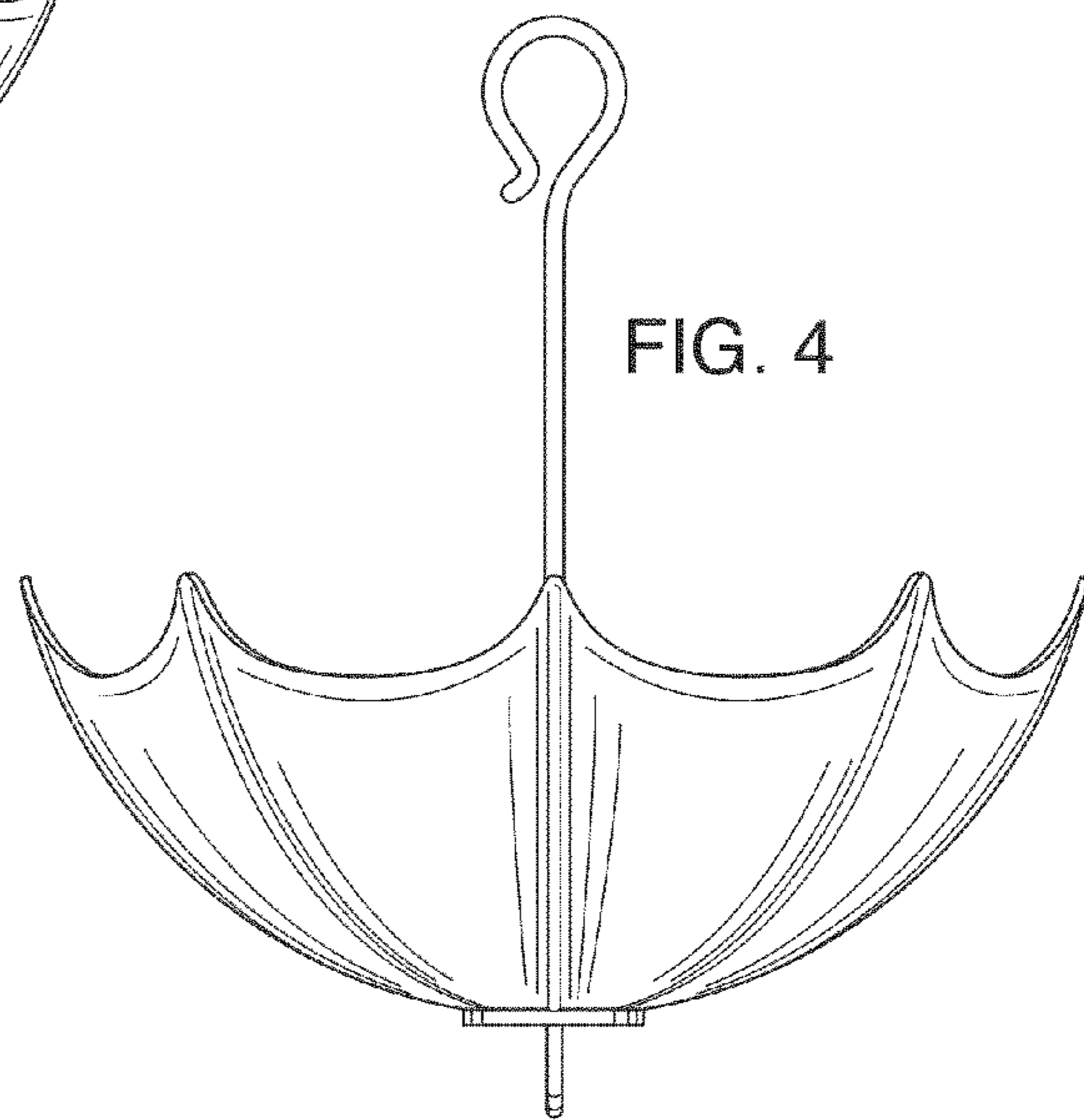


FIG. 4

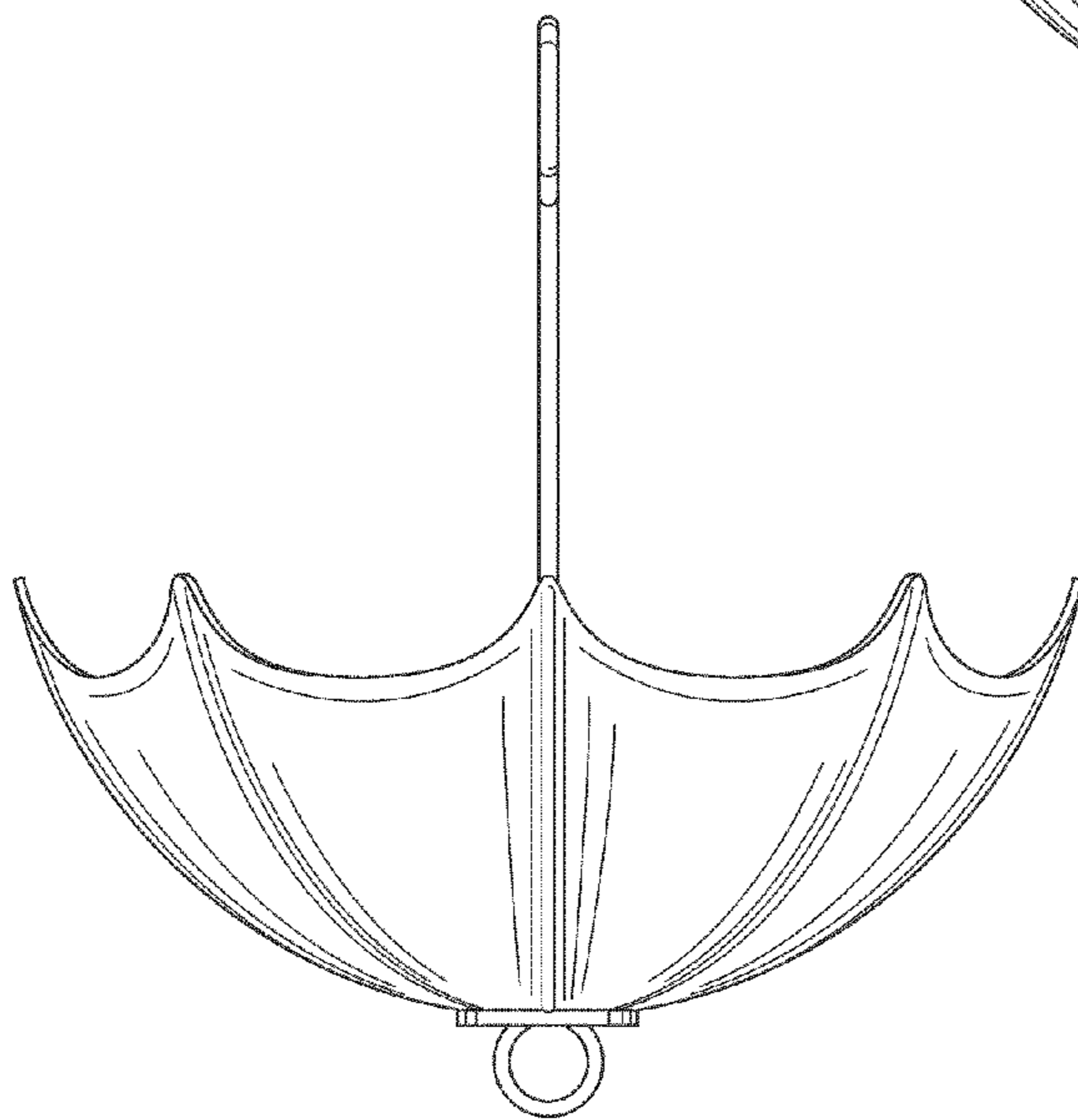


FIG. 5

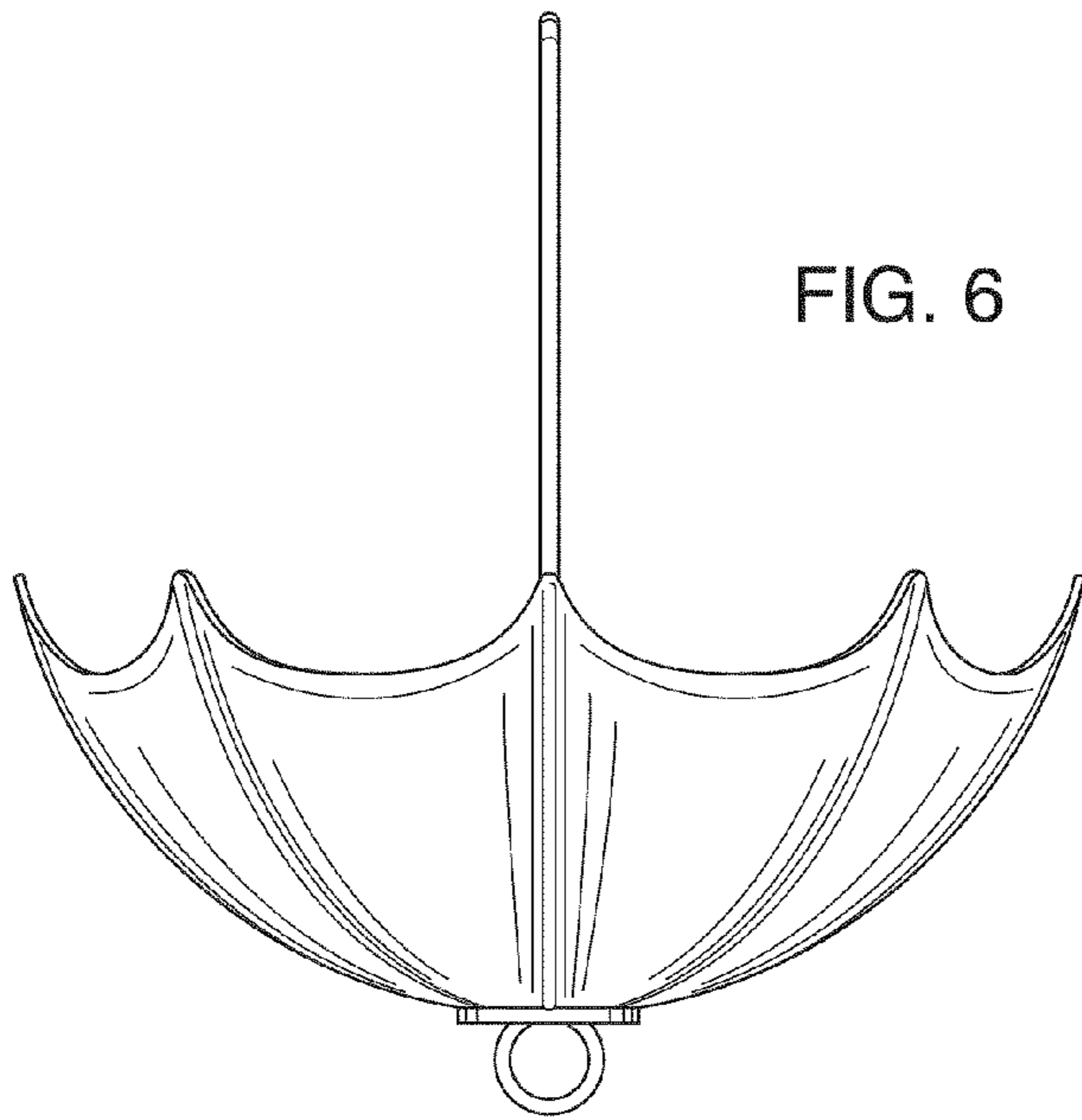


FIG. 6

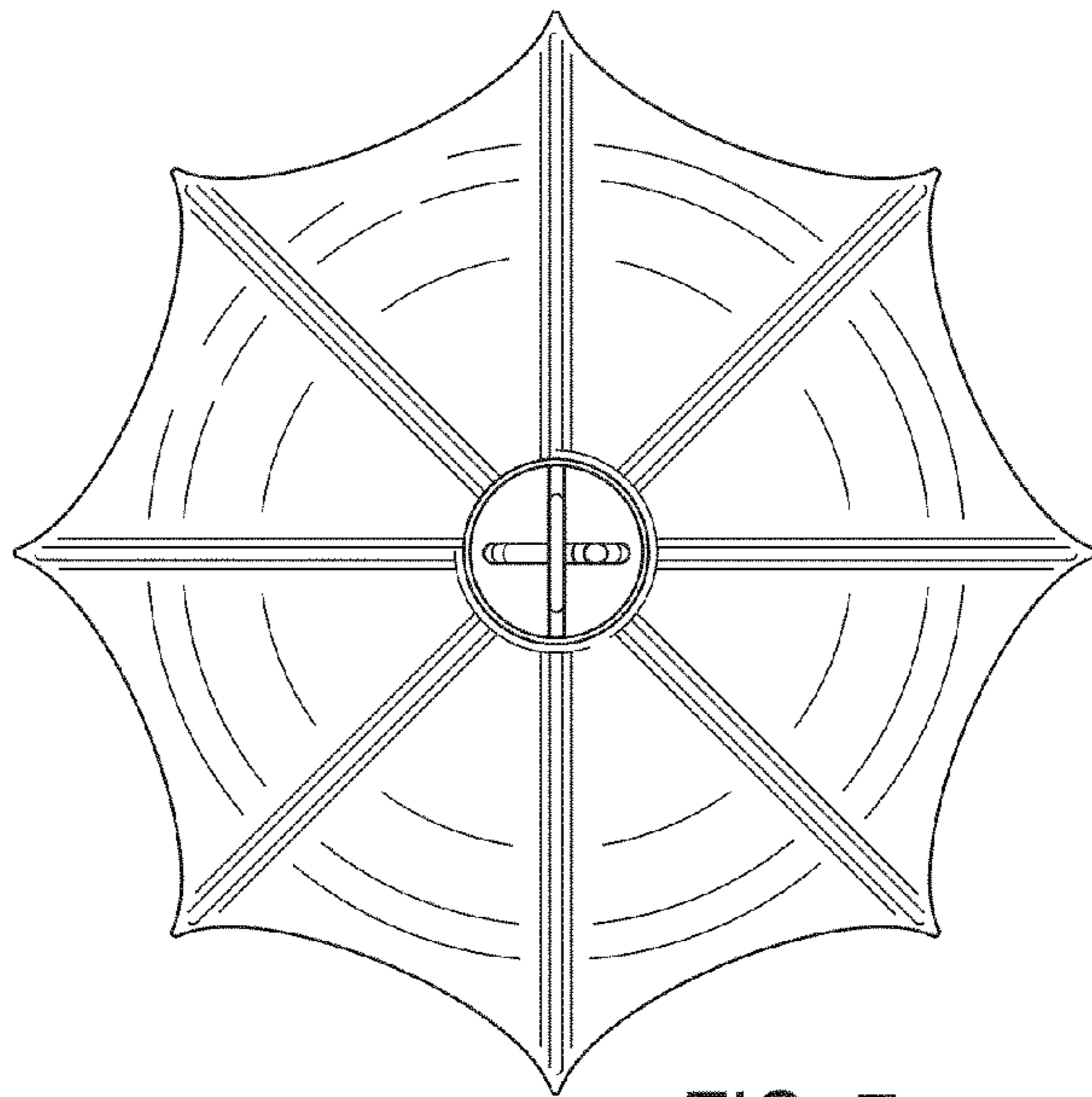


FIG. 7

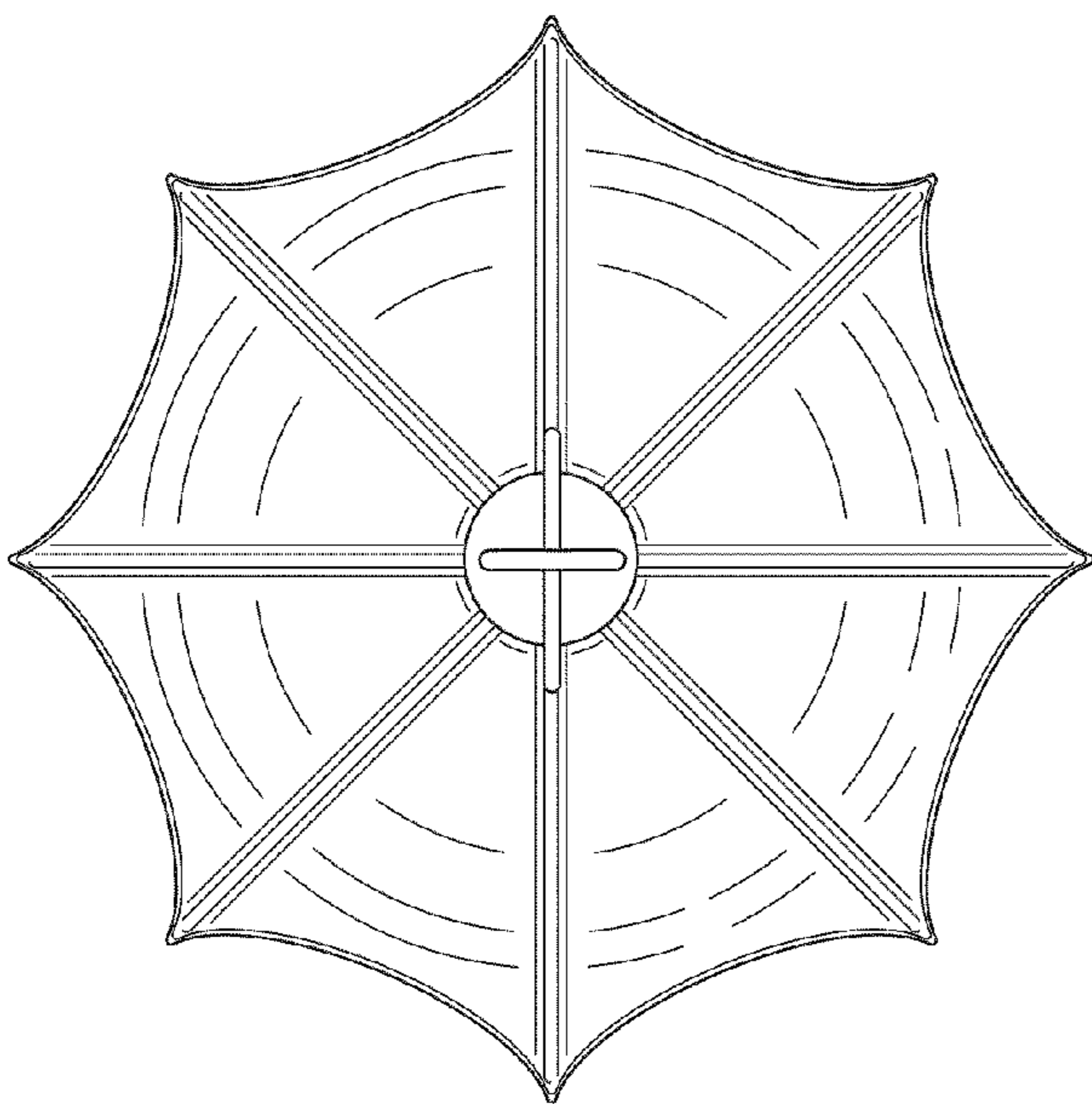


FIG. 8