



US00D651284S

(12) **United States Design Patent**
Flowers et al.

(10) **Patent No.:** **US D651,284 S**
(45) **Date of Patent:** **** Dec. 27, 2011**

(54) **SINK MIXER**

(75) Inventors: **Paul Flowers**, Duesseldorf (DE); **Jochen Allard**, Menden (DE)

(73) Assignee: **Grohe AG**, Hemer (DE)

(**) Term: **14 Years**

(21) Appl. No.: **29/390,984**

(22) Filed: **May 2, 2011**

(30) **Foreign Application Priority Data**

Nov. 11, 2010 (EM) 001780032-0001

(51) **LOC (9) Cl.** **23-02**

(52) **U.S. Cl.** **D23/243**

(58) **Field of Classification Search** D23/255,
D23/257, 238-243; 4/678; 137/801

See application file for complete search history.

(56) **References Cited**

U.S. PATENT DOCUMENTS

D426,873 S * 6/2000 Milrud et al. D23/255
D441,434 S * 5/2001 Dretzka D23/255
D442,676 S * 5/2001 Dretzka D23/255

D534,990 S * 1/2007 Zhou D23/238
D589,594 S * 3/2009 Lammel et al. D23/238
D605,260 S 12/2009 Allard

* cited by examiner

Primary Examiner — Robert Delehanty

(74) *Attorney, Agent, or Firm* — Muncy, Geissler, Olds & Lowe, PLLC

(57) **CLAIM**

The ornamental design for a sink mixer, as shown and described.

DESCRIPTION

FIG. 1 is a left side elevational view of a sink mixer according to the invention.

FIG. 2 is a right side elevational view of the sink mixer of FIG. 1.

FIG. 3 is a front elevational view of the sink mixer of FIG. 1.

FIG. 4 is a rear elevational view of the sink mixer of FIG. 1.

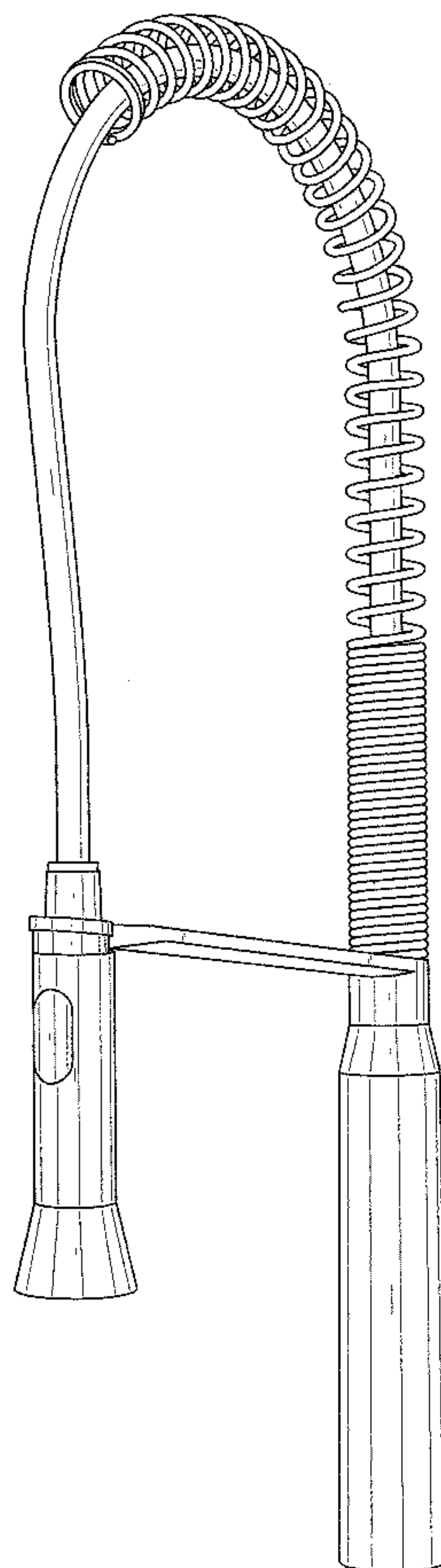
FIG. 5 is a top plan view of the sink mixer of FIG. 1.

FIG. 6 is a bottom plan view of the sink mixer of FIG. 1; and,

FIG. 7 is a three-quarter view of the sink mixer of FIG. 1.

The dashed lines illustrate environment that does not form a part of the present invention, and no claim is made to the material illustrated with dashed lines.

1 Claim, 5 Drawing Sheets



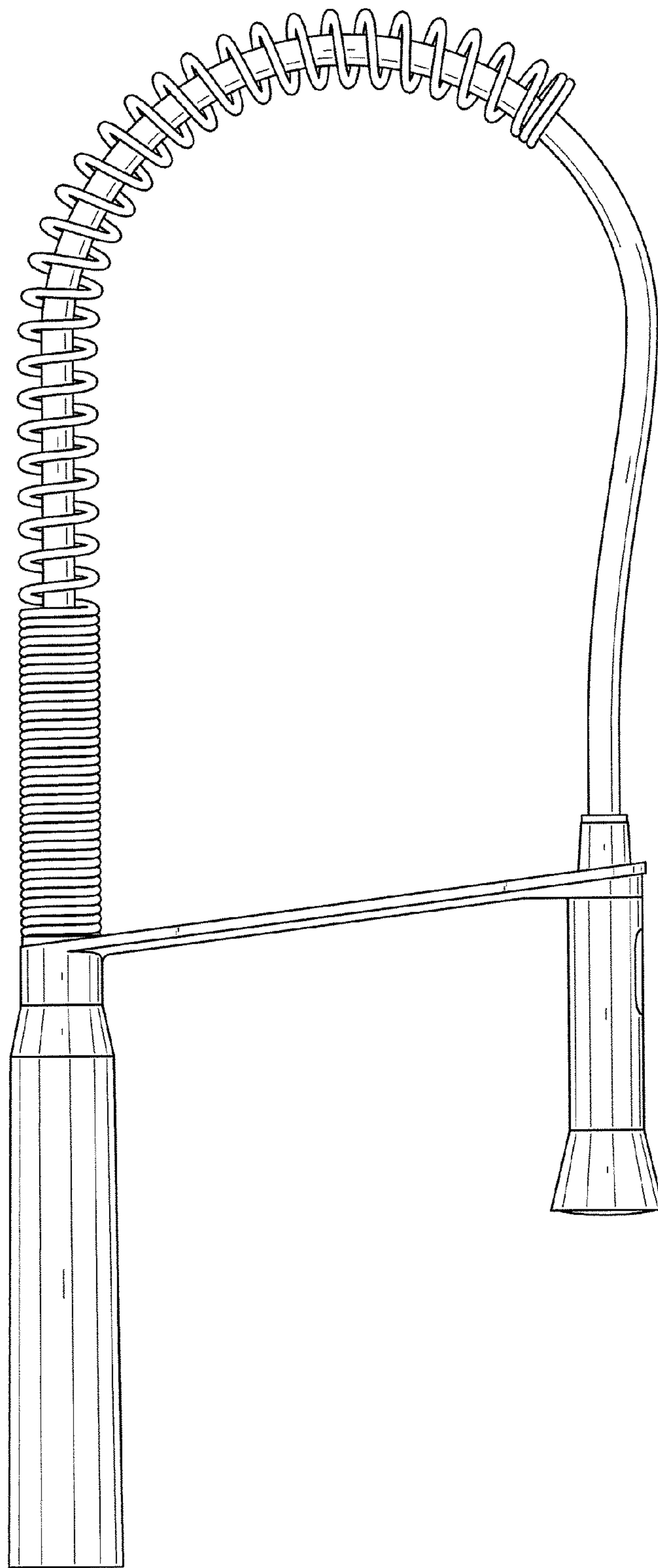


FIG. 1

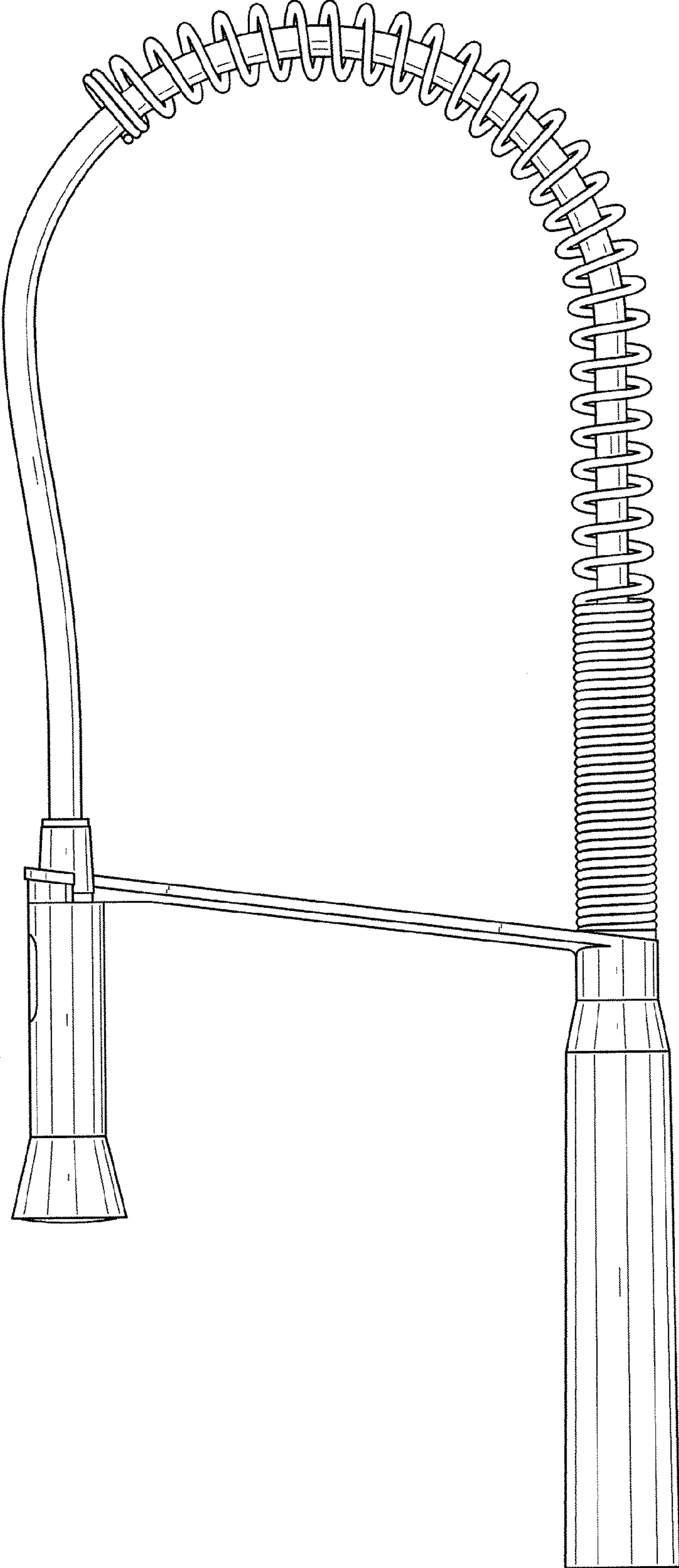


FIG. 2

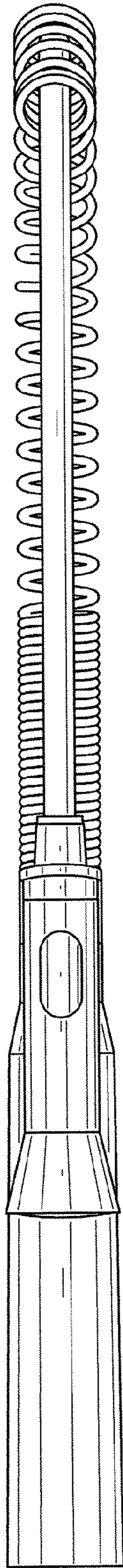


FIG. 3

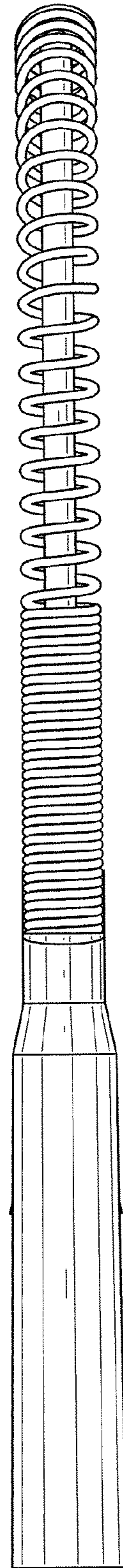


FIG. 4

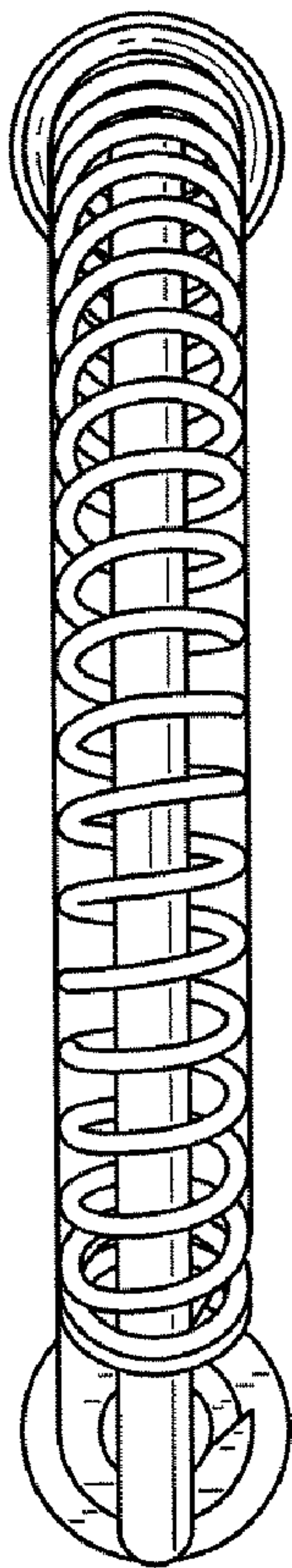


FIG. 5

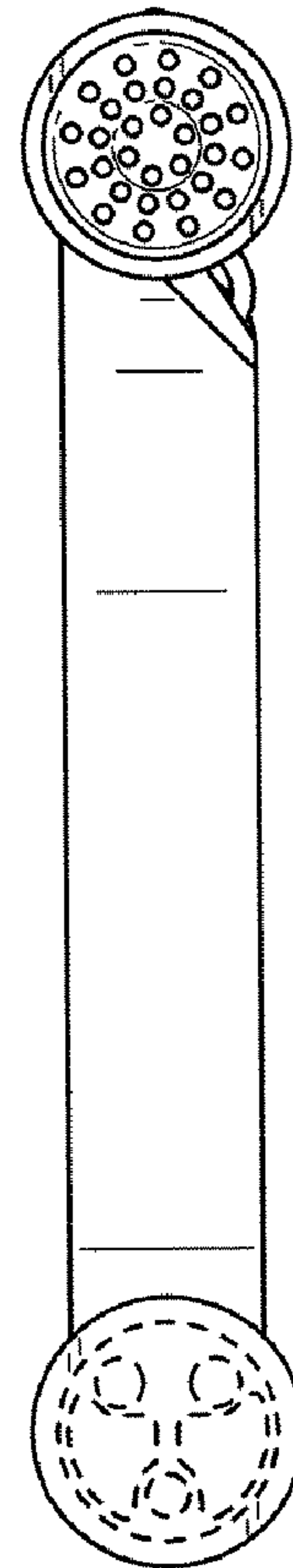


FIG. 6

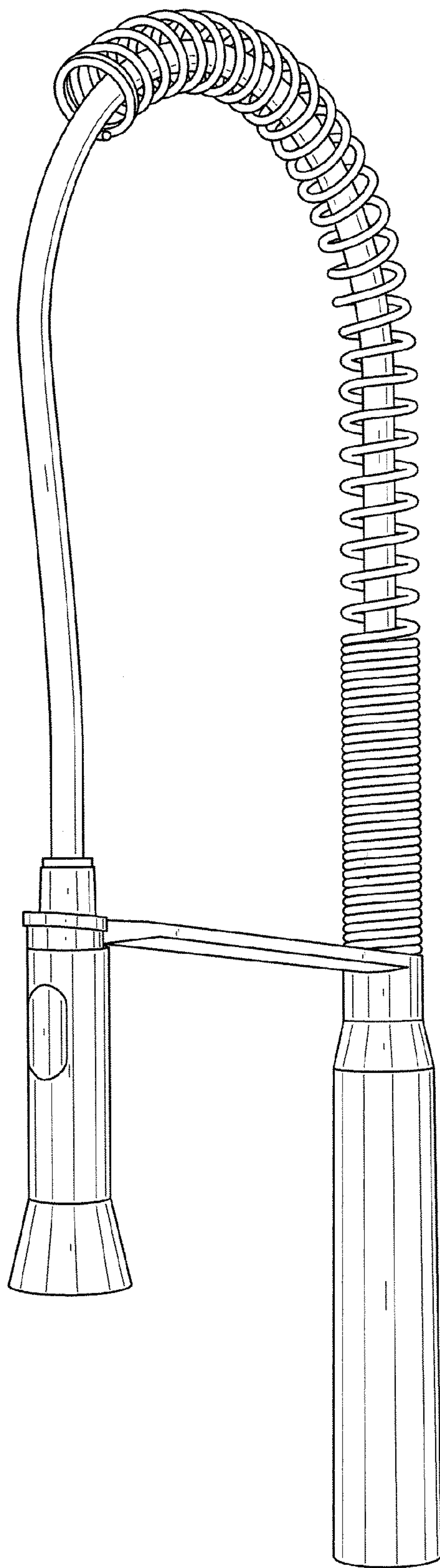


FIG. 7