



US00D651280S

(12) **United States Design Patent**  
**Okawa et al.**

(10) **Patent No.:** **US D651,280 S**

(45) **Date of Patent:** **\*\* Dec. 27, 2011**

(54) **IMMERSION FLAT FILTER MEMBRANE ELEMENT**

(75) Inventors: **Yusuke Okawa**, Toshima-ku (JP);  
**Kazuhiko Noto**, Toshima-ku (JP);  
**Yasuyuki Okuno**, Amagasaki (JP)

(73) Assignee: **Hitachi Plant Technologies, Ltd.**,  
Toshima-ku (JP)

(\*\*) Term: **14 Years**

(21) Appl. No.: **29/347,653**

(22) Filed: **Mar. 30, 2010**

(30) **Foreign Application Priority Data**

Nov. 12, 2009 (JP) ..... 2009-026499

(51) **LOC (9) Cl.** ..... **23-01**

(52) **U.S. Cl.** ..... **D23/209**

(58) **Field of Classification Search** ..... D23/207,  
D23/209; 96/7; 210/636, 637, 321.6, 321.84,  
210/321.75, 500.23

See application file for complete search history.

(56) **References Cited**

**U.S. PATENT DOCUMENTS**

4,956,085 A \* 9/1990 Kopf ..... 210/231  
D324,720 S \* 3/1992 Kopf ..... D23/209

D325,070 S \* 3/1992 Kopf ..... D23/209  
5,922,201 A \* 7/1999 Yamamori et al. .... 210/321.79  
D481,782 S \* 11/2003 Okazaki ..... D23/209  
D526,044 S \* 8/2006 Torichigai et al. .... D23/209  
7,323,040 B2 \* 1/2008 Poschmann ..... 96/9

\* cited by examiner

*Primary Examiner* — Robin V Webster

(74) *Attorney, Agent, or Firm* — Wenderoth, Lind & Ponack,  
L.L.P.

(57) **CLAIM**

The ornamental design for an immersion flat filter membrane element, as shown and described.

**DESCRIPTION**

FIG. 1 is a front view of the present invention;  
FIG. 2 is a rear view of the present invention;  
FIG. 3 is a left side view of the present invention;  
FIG. 4 is a right side view of the present invention;  
FIG. 5 is a top view of the present invention;  
FIG. 6 is a bottom view of the present invention; and,  
FIG. 7 is a cross-sectional view taken along line 7-7 of FIG. 1.

**1 Claim, 7 Drawing Sheets**

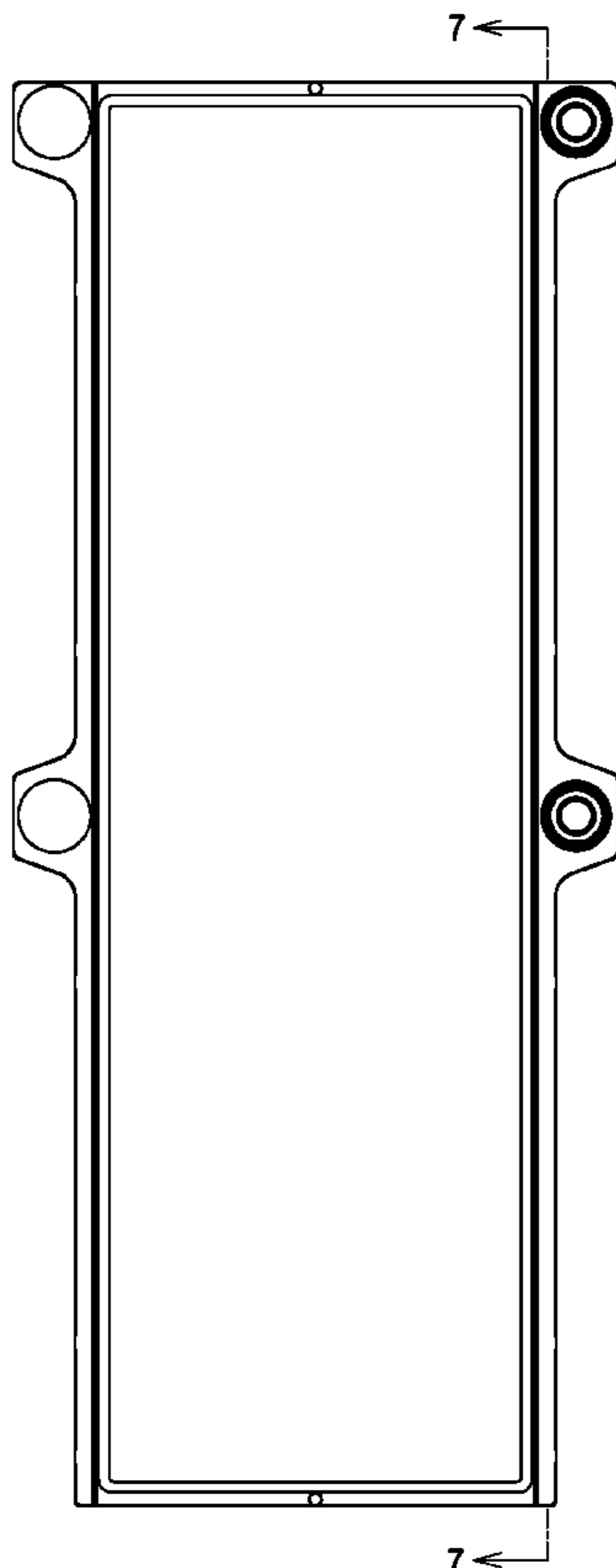


FIG. 1

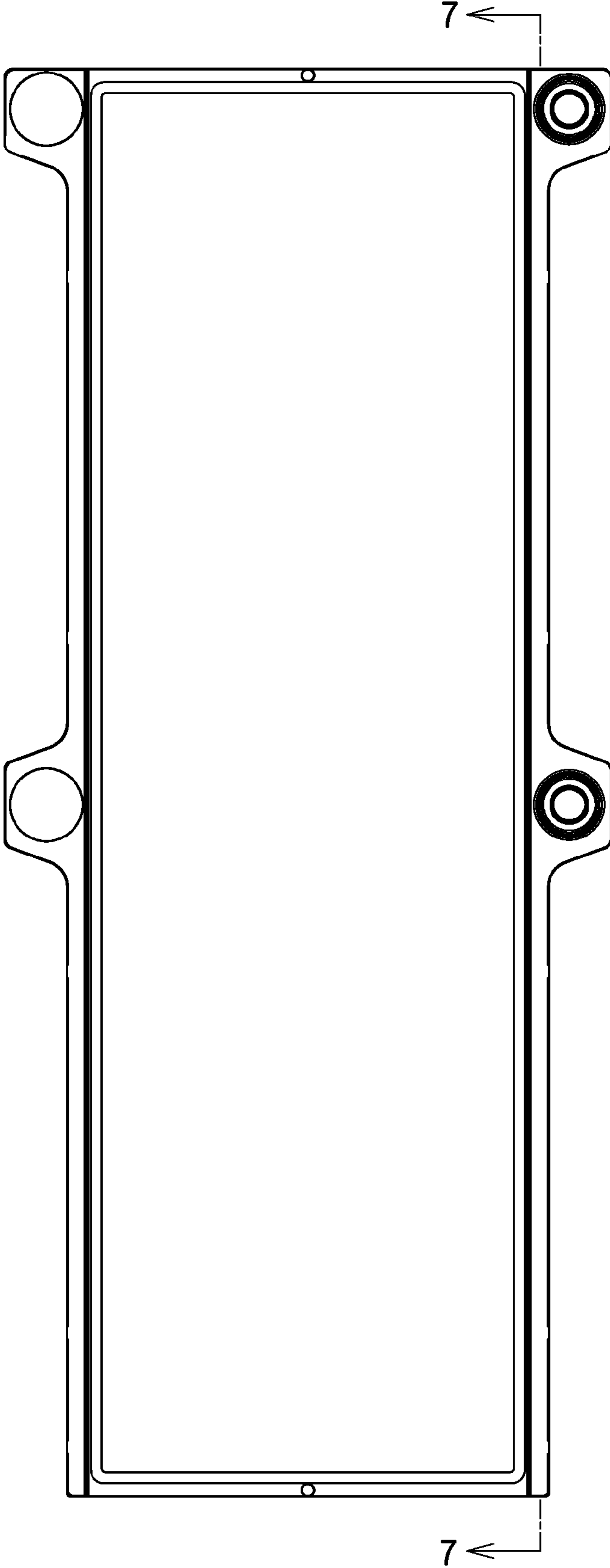


FIG. 2

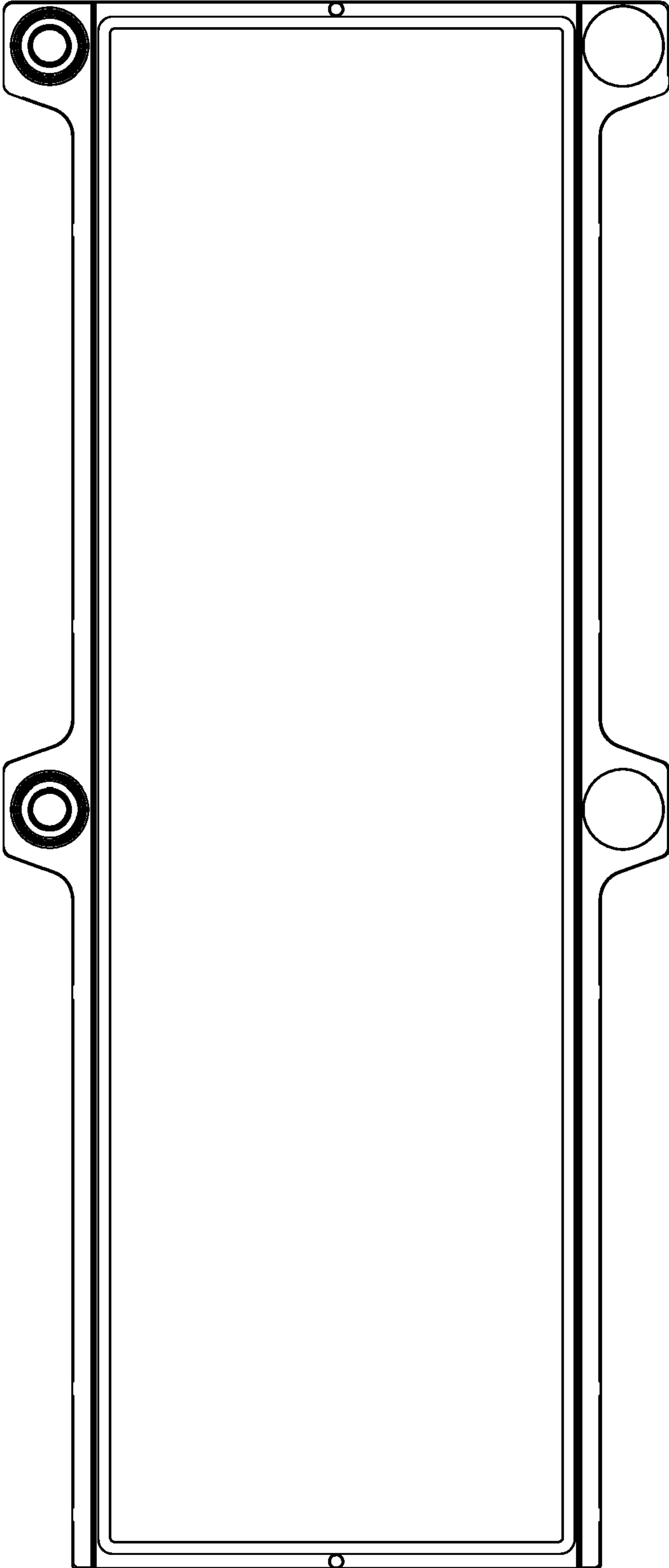


FIG. 3



FIG. 4



FIG. 5

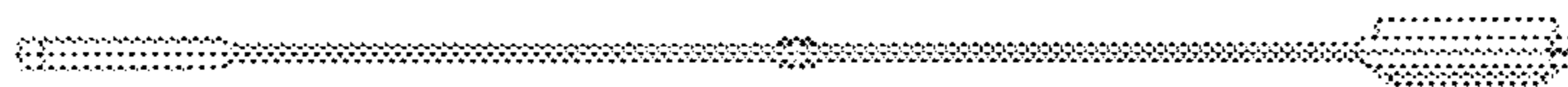


FIG. 6



FIG. 7

