



US00D651278S

(12) **United States Design Patent**
Graves

(10) **Patent No.:** **US D651,278 S**

(45) **Date of Patent:** **** Dec. 27, 2011**

(54) **WASTE WATER TREATMENT TANK APPARATUS**

(76) Inventor: **Gregory D. Graves**, Milan, OH (US)

(**) Term: **14 Years**

(21) Appl. No.: **29/389,612**

(22) Filed: **Apr. 14, 2011**

(51) **LOC (9) Cl.** **23-01**

(52) **U.S. Cl.** **D23/202**

(58) **Field of Classification Search** D23/202,
D23/203; 220/565, 4.12; 210/195.3, 532.2,
210/532.1

See application file for complete search history.

(56) **References Cited**

U.S. PATENT DOCUMENTS

D239,506	S	*	4/1976	Myers	D23/202
4,359,167	A	*	11/1982	Fouss et al.	220/675
5,361,930	A	*	11/1994	Perry	220/565
D431,858	S	*	10/2000	Nagato	D23/202
D529,573	S	*	10/2006	Daley et al.	D23/202
D539,383	S	*	3/2007	Donald et al.	D23/207
7,294,254	B2	*	11/2007	White et al.	210/119

D629,864 S * 12/2010 Stack D23/202
* cited by examiner

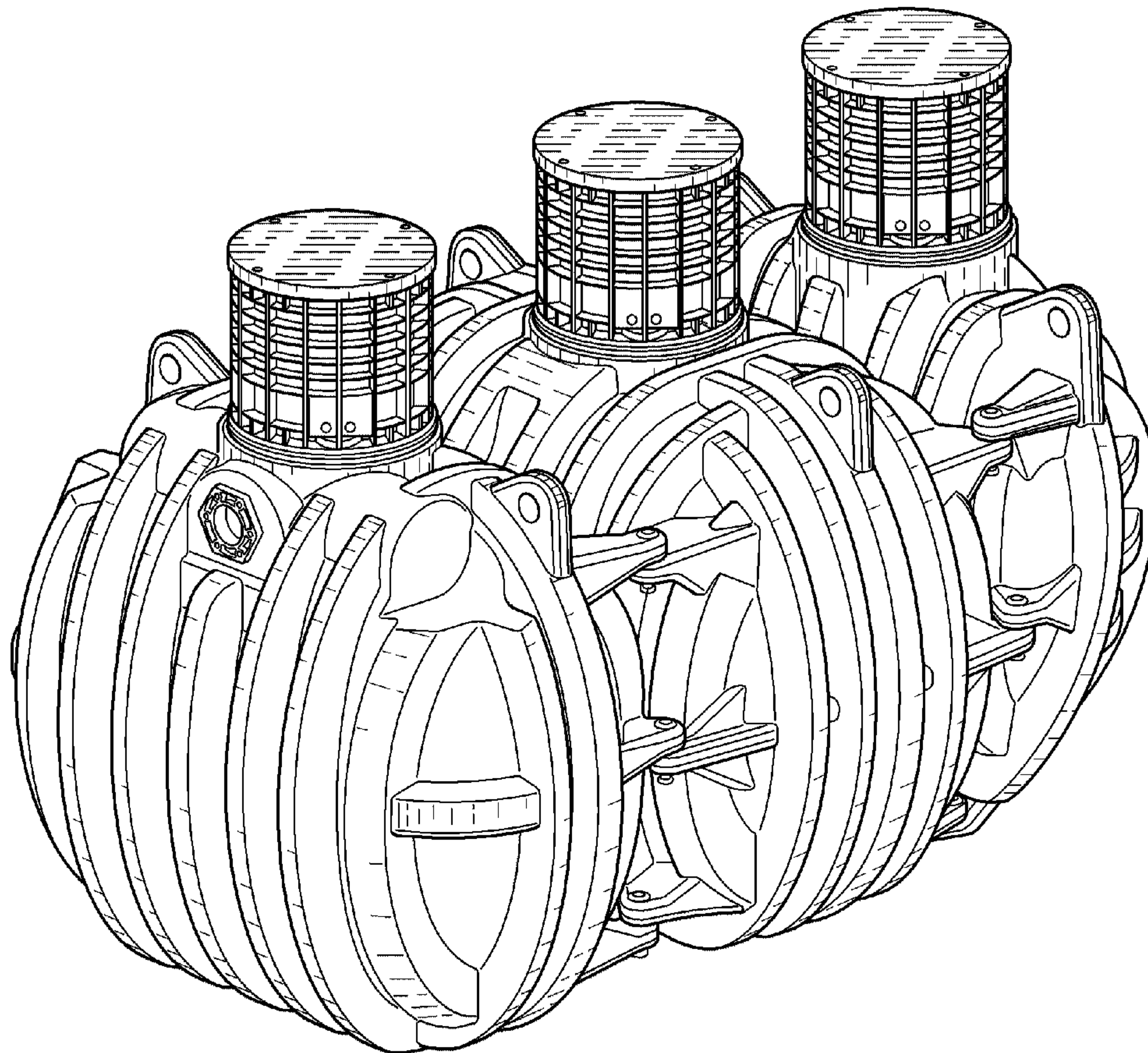
Primary Examiner — Robin V Webster
(74) *Attorney, Agent, or Firm* — Miles & Stockbridge P.C.;
David R. Schaffer, Esq.

(57) **CLAIM**
The ornamental design for a waste water treatment tank apparatus, as shown and described.

DESCRIPTION

FIG. 1 is a top front perspective view of a design for a waste water treatment tank apparatus.
FIG. 2 is a front view of the design for a waste water treatment tank apparatus.
FIG. 3 is a right side view of the design for a waste water treatment tank apparatus.
FIG. 4 is a back view of the design for a waste water treatment tank apparatus.
FIG. 5 is a top view of the design for a waste water treatment tank apparatus without showing the specifics.
FIG. 6 is a left side view of the design for a waste water treatment tank apparatus; and,
FIG. 7 is a bottom view of the design for a waste water treatment tank apparatus.

1 Claim, 7 Drawing Sheets



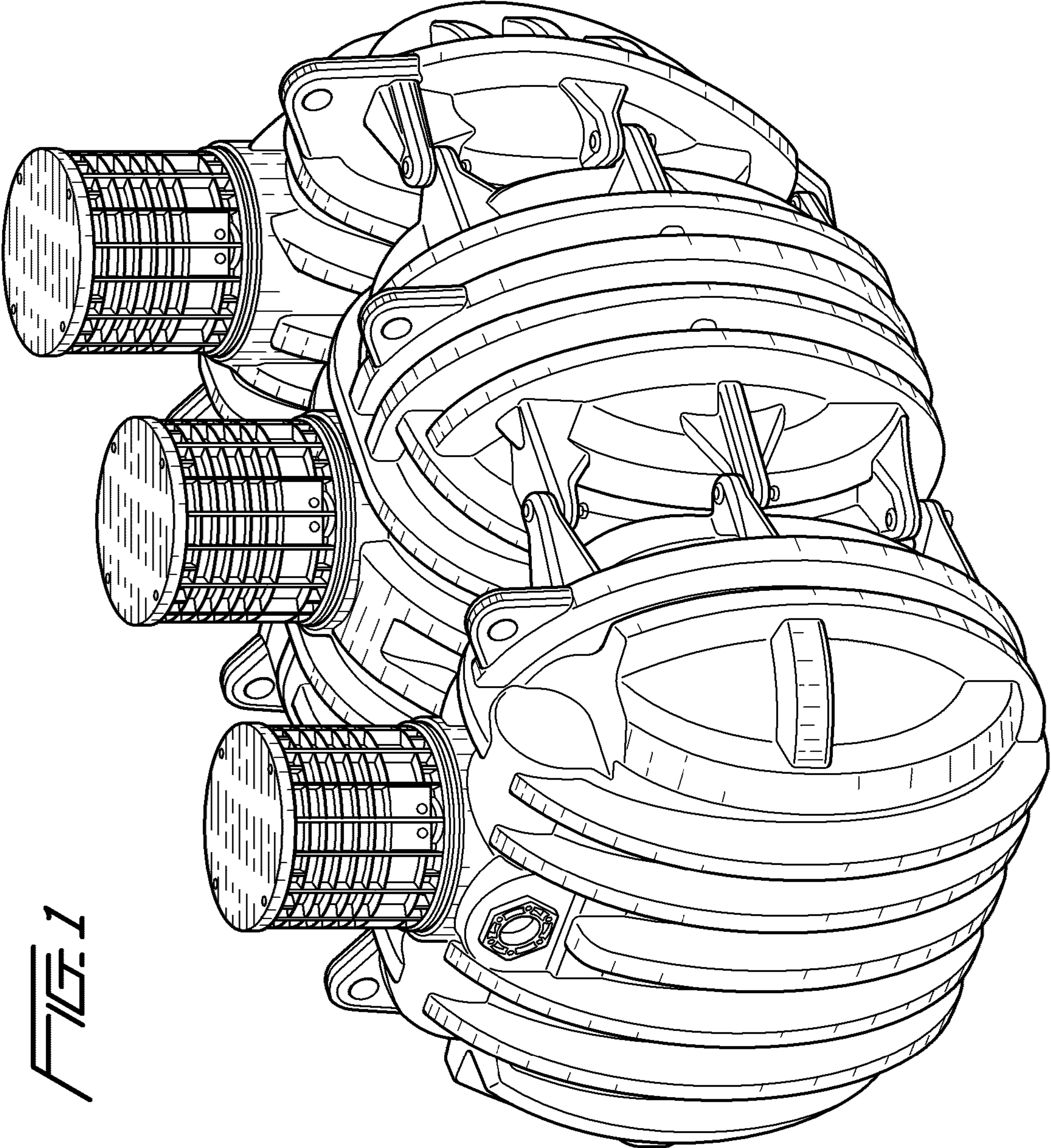


FIG. 1

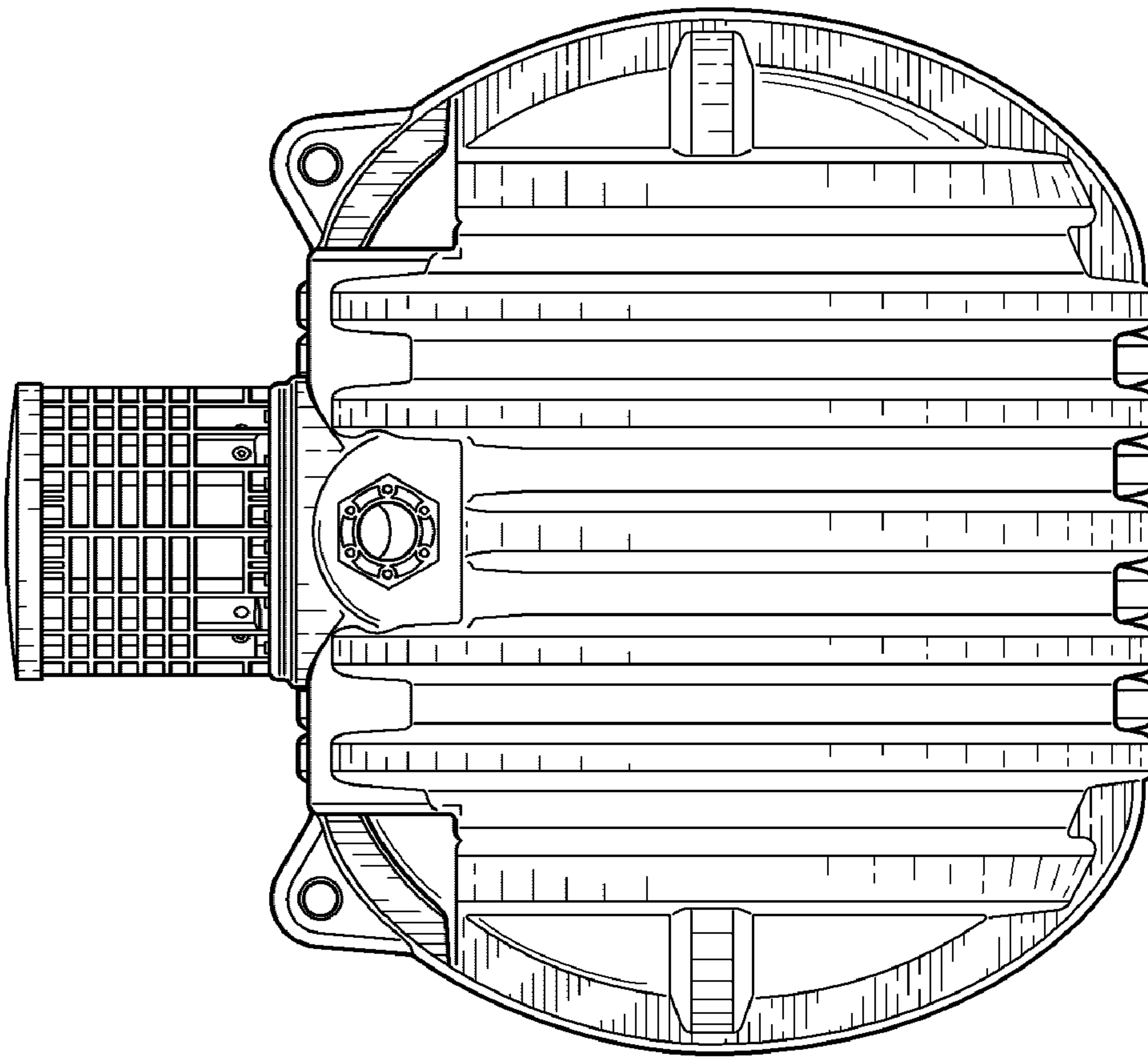


FIG. 2

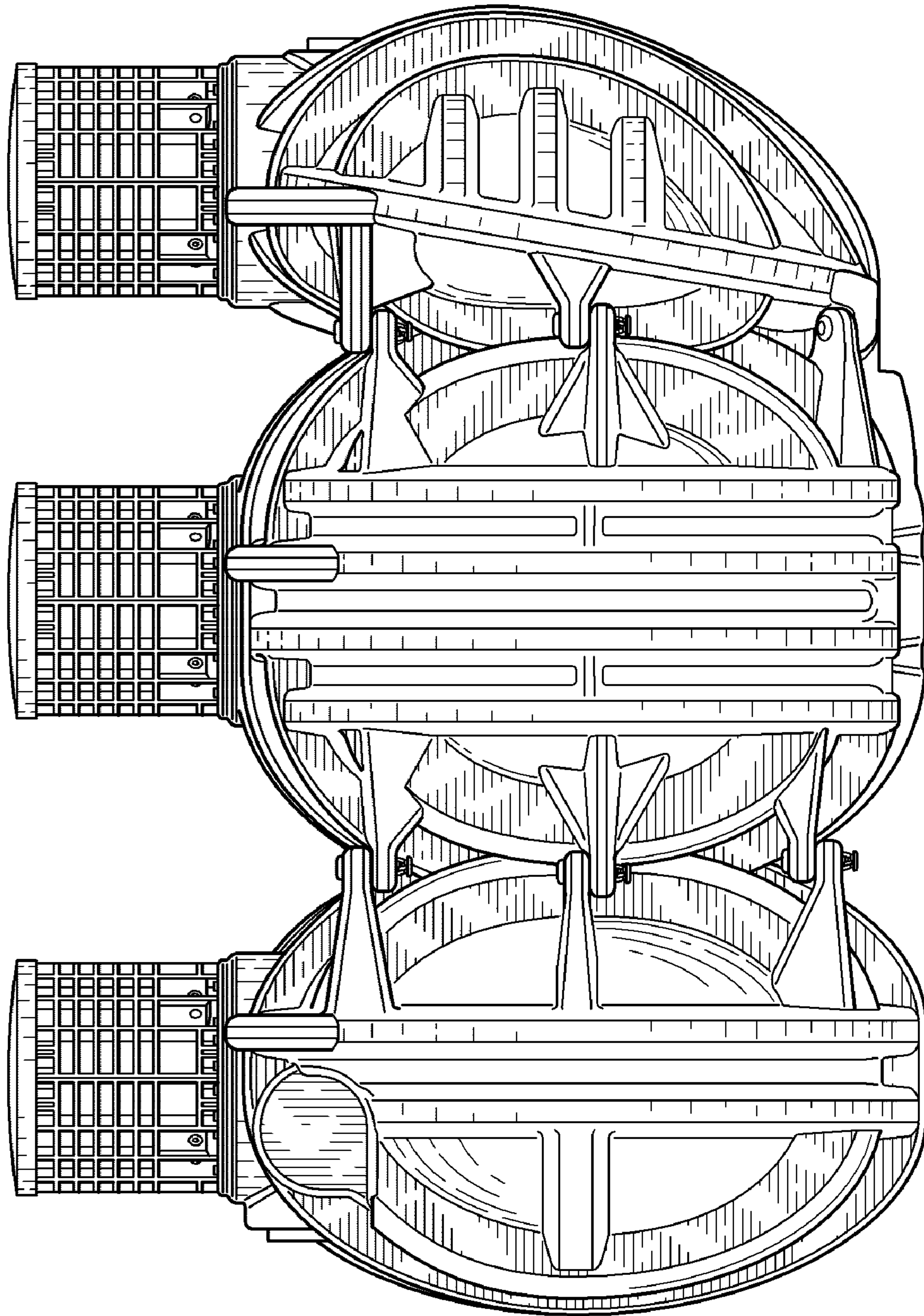


FIG. 3

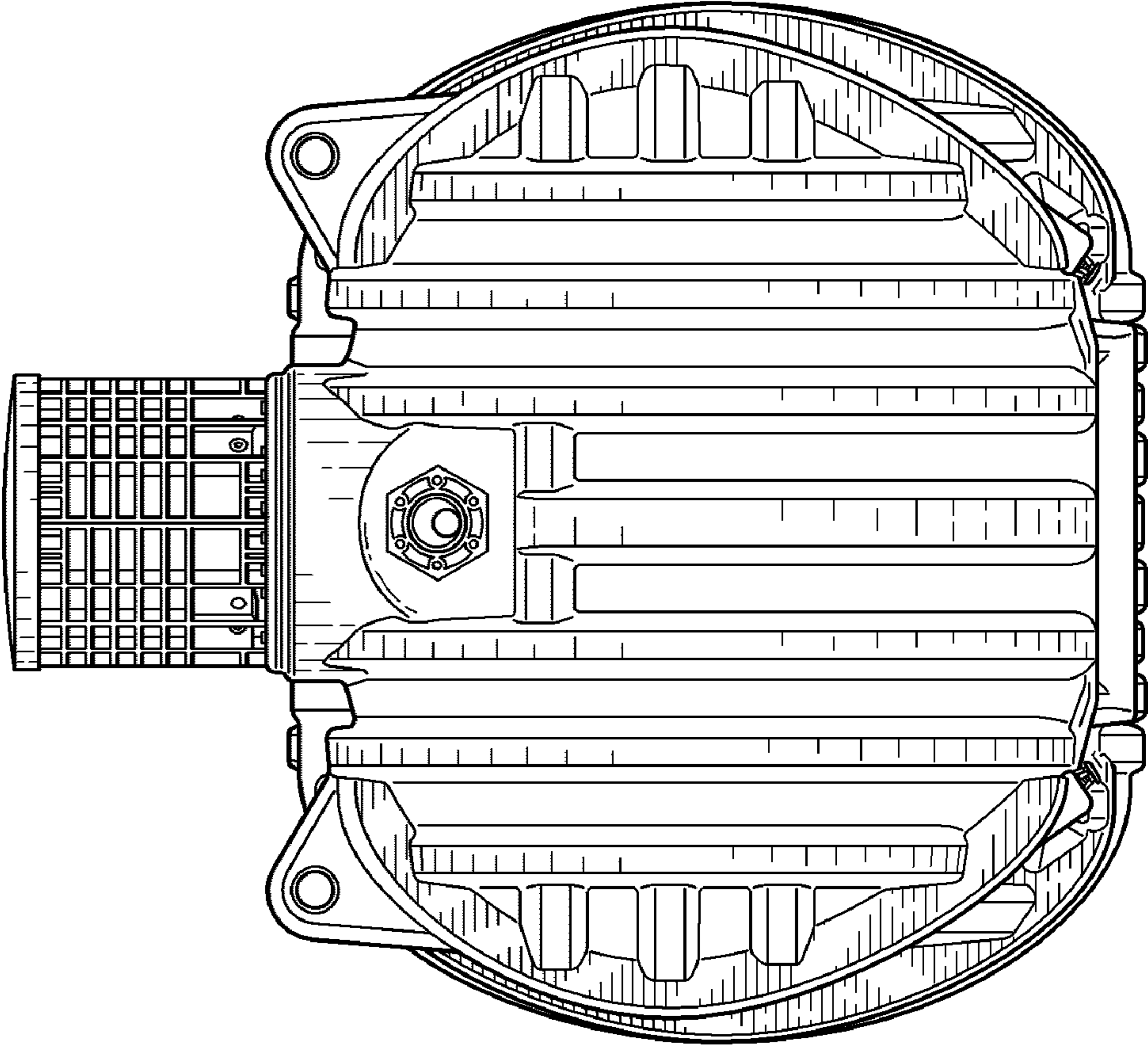


FIG. 4

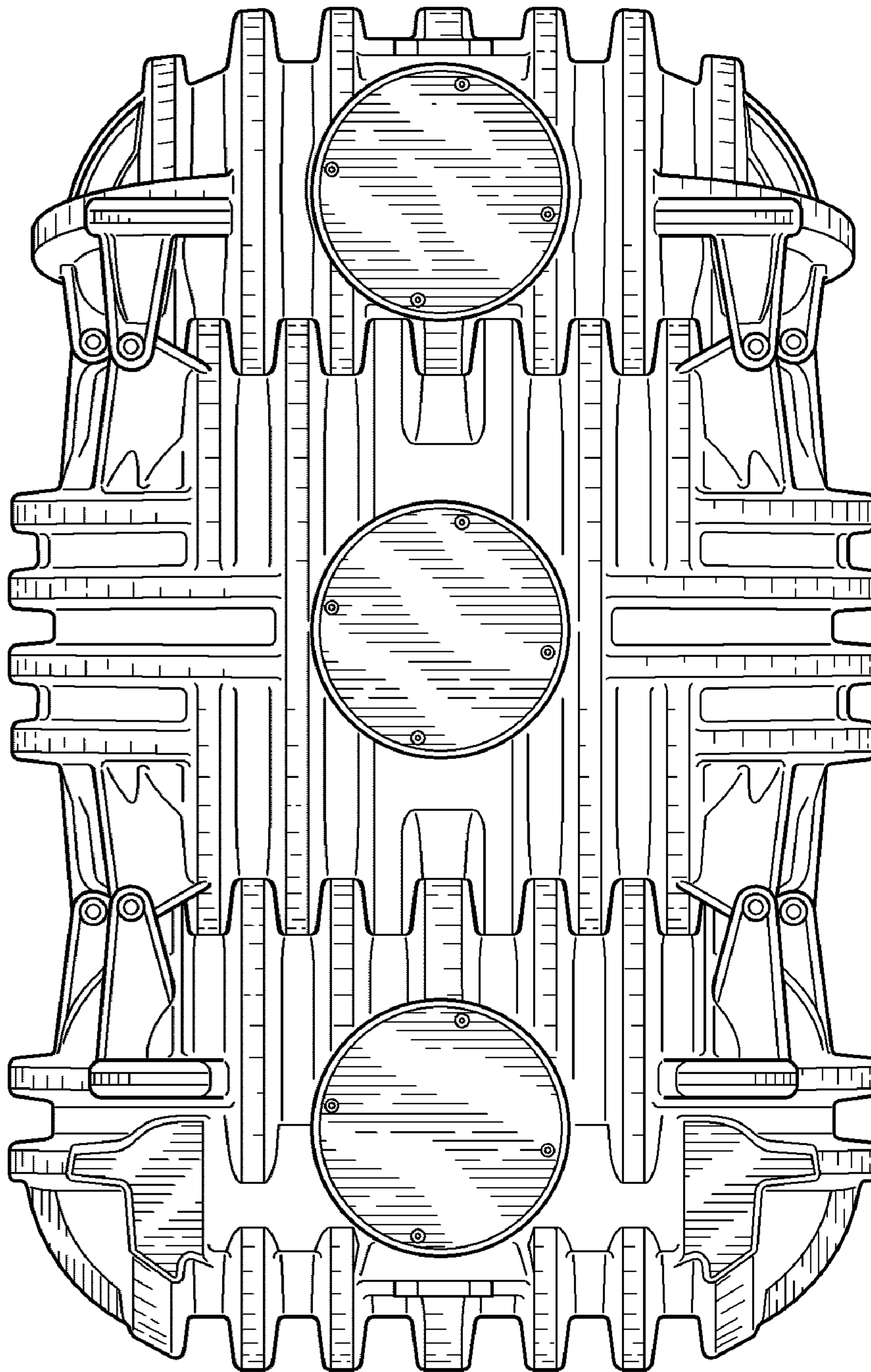


FIG. 5

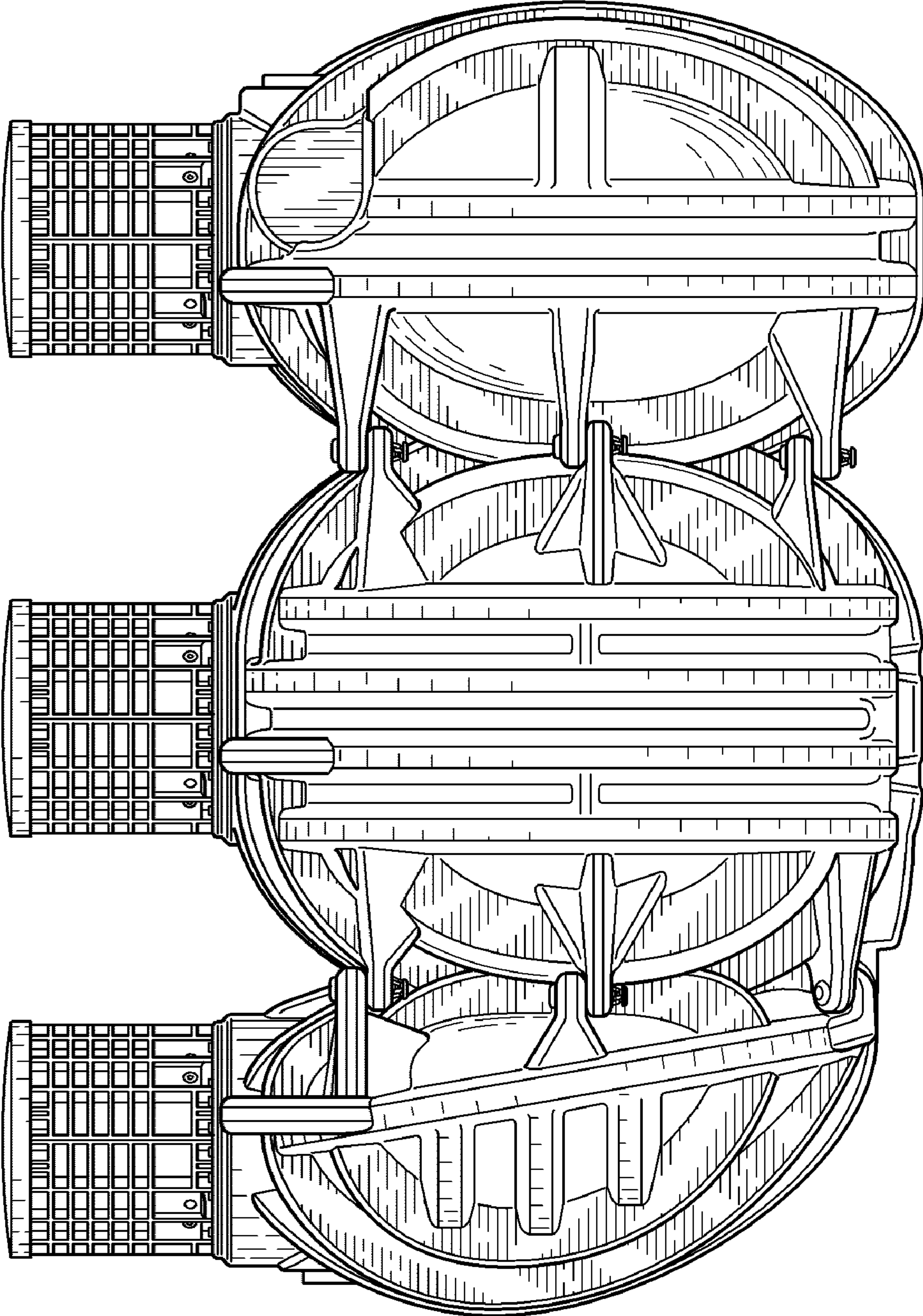


FIG. 6

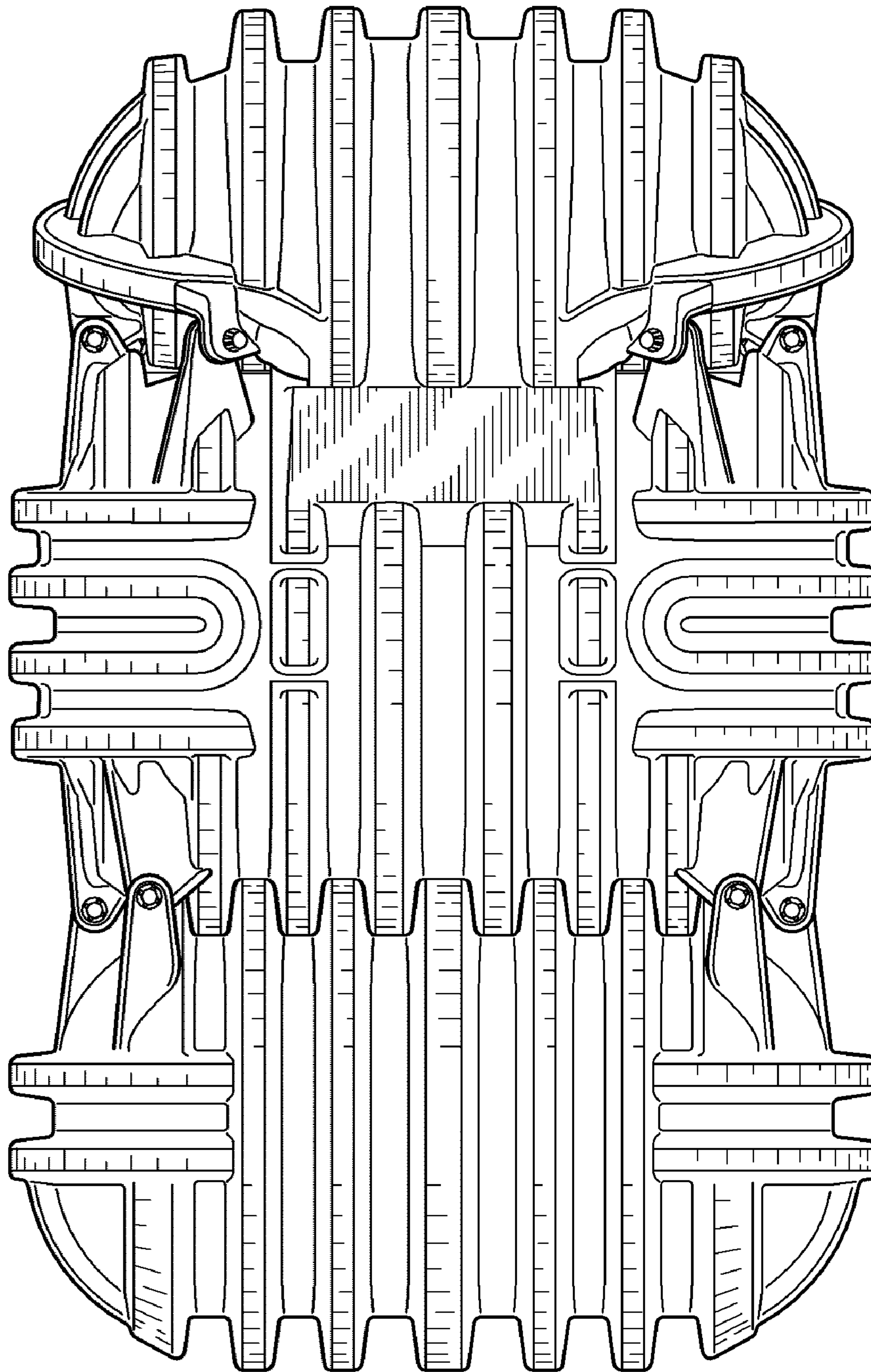


FIG. 7