



US00D651272S

(12) **United States Design Patent**
Corcoran et al.

(10) **Patent No.:** **US D651,272 S**

(45) **Date of Patent:** **** Dec. 27, 2011**

(54) **DIVOT REPAIR TOOL**

(75) Inventors: **Jerry Alvin Corcoran**, Canby, OR (US);
Keith Layton, Portland, OR (US)

(73) Assignee: **Jerry Alvin Corcoran**, Canby, OR (US)

(**) Term: **14 Years**

(21) Appl. No.: **29/387,570**

(22) Filed: **Mar. 15, 2011**

(51) **LOC (9) Cl.** **21-02**

(52) **U.S. Cl.** **D21/793**

(58) **Field of Classification Search** D21/793,
D21/794; 473/286, 408
See application file for complete search history.

(56) **References Cited**

U.S. PATENT DOCUMENTS

5,405,133 A * 4/1995 Upton 473/408
5,419,551 A * 5/1995 Hoyt et al. 473/408
6,162,137 A * 12/2000 Jones et al. 473/408

D471,944 S * 3/2003 Freitas et al. D21/793
6,800,042 B2 * 10/2004 Braithwaite 473/408
D570,946 S * 6/2008 Oas D21/793

* cited by examiner

Primary Examiner — Mitchell Siegel

(74) *Attorney, Agent, or Firm* — Nicole Hyatt

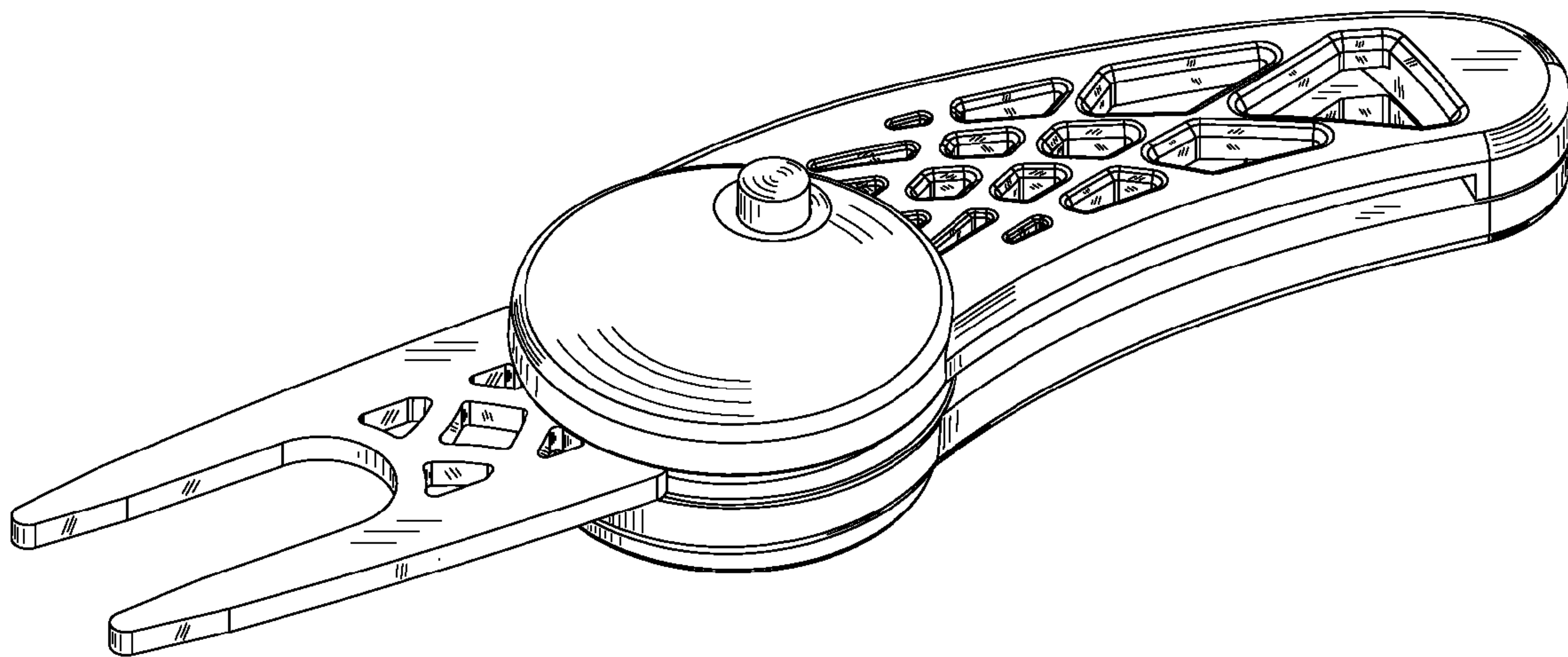
(57) **CLAIM**

The ornamental design for the divot repair tool, as shown and described.

DESCRIPTION

FIG. 1 is a top view of the divot repair tool;
FIG. 2 is a left end view of the divot repair tool;
FIG. 3 is a front view of the divot repair tool;
FIG. 4 is a right end view of the divot repair tool;
FIG. 5 is a bottom view of the divot repair tool;
FIG. 6 is a right, top perspective view of the divot repair tool;
FIG. 7 is a right, bottom perspective view of the divot repair tool;
FIG. 8 is a left, top perspective view of the divot repair tool;
and,
FIG. 9 is a left, bottom perspective view of the divot repair tool.

1 Claim, 4 Drawing Sheets



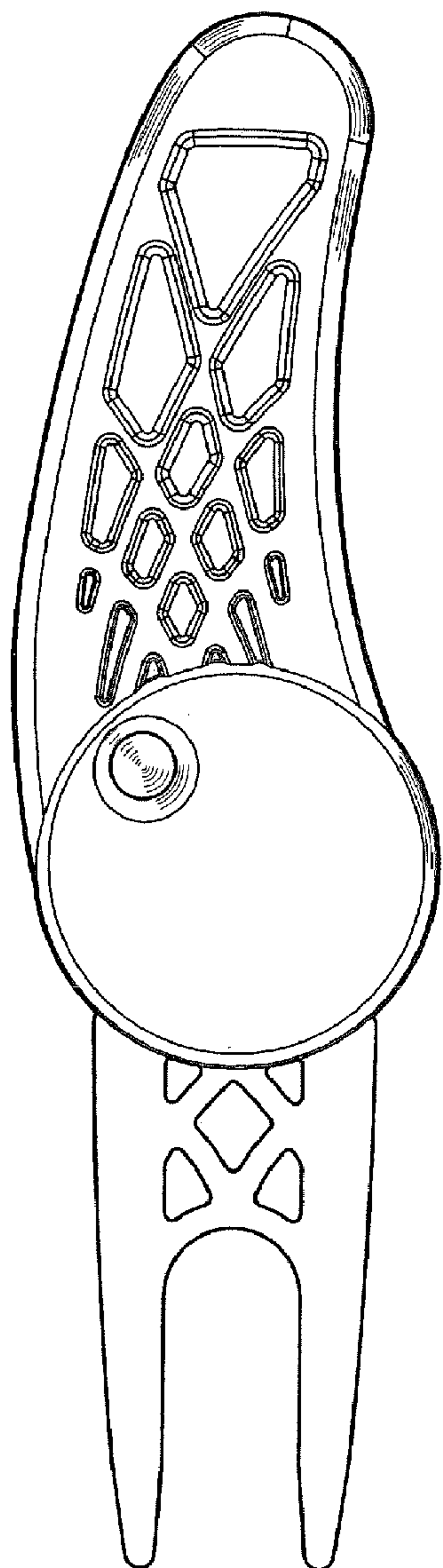


Fig. 1

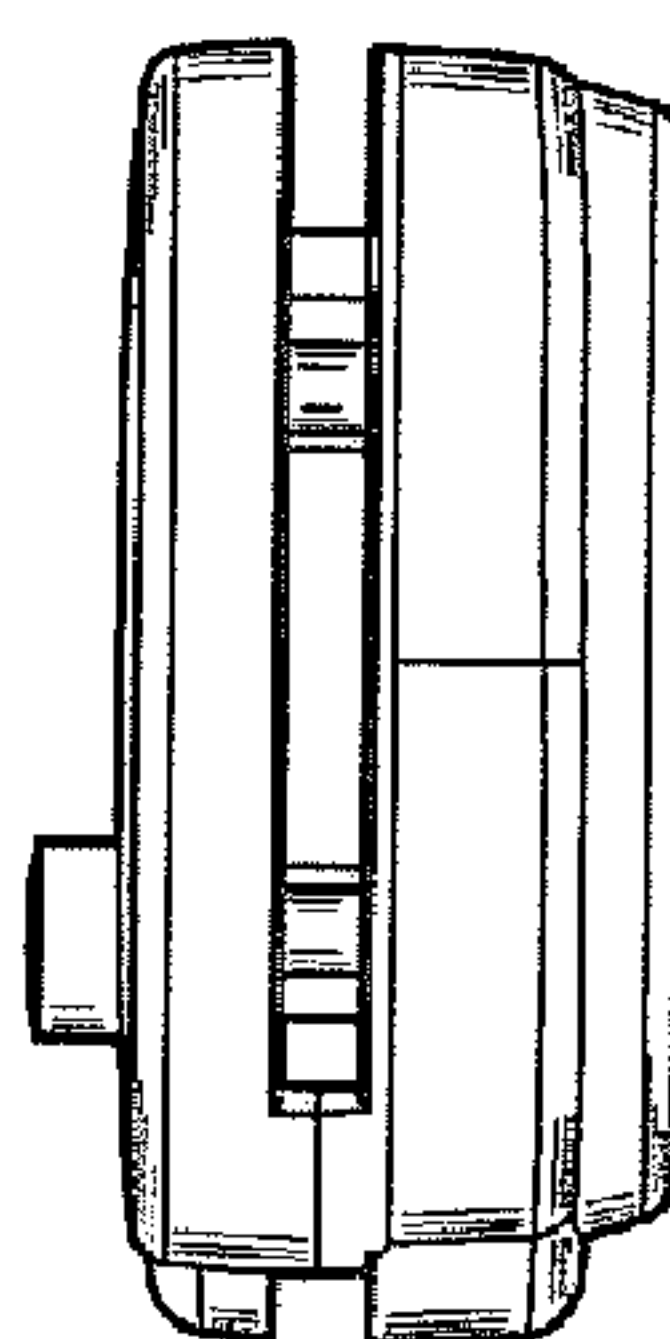


Fig. 2

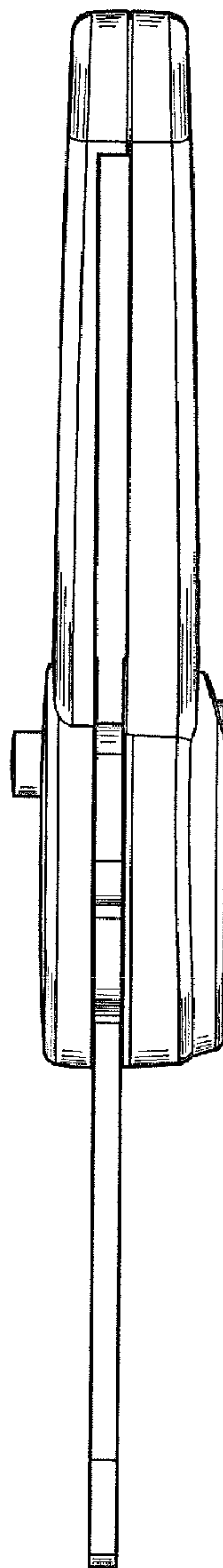


Fig. 3

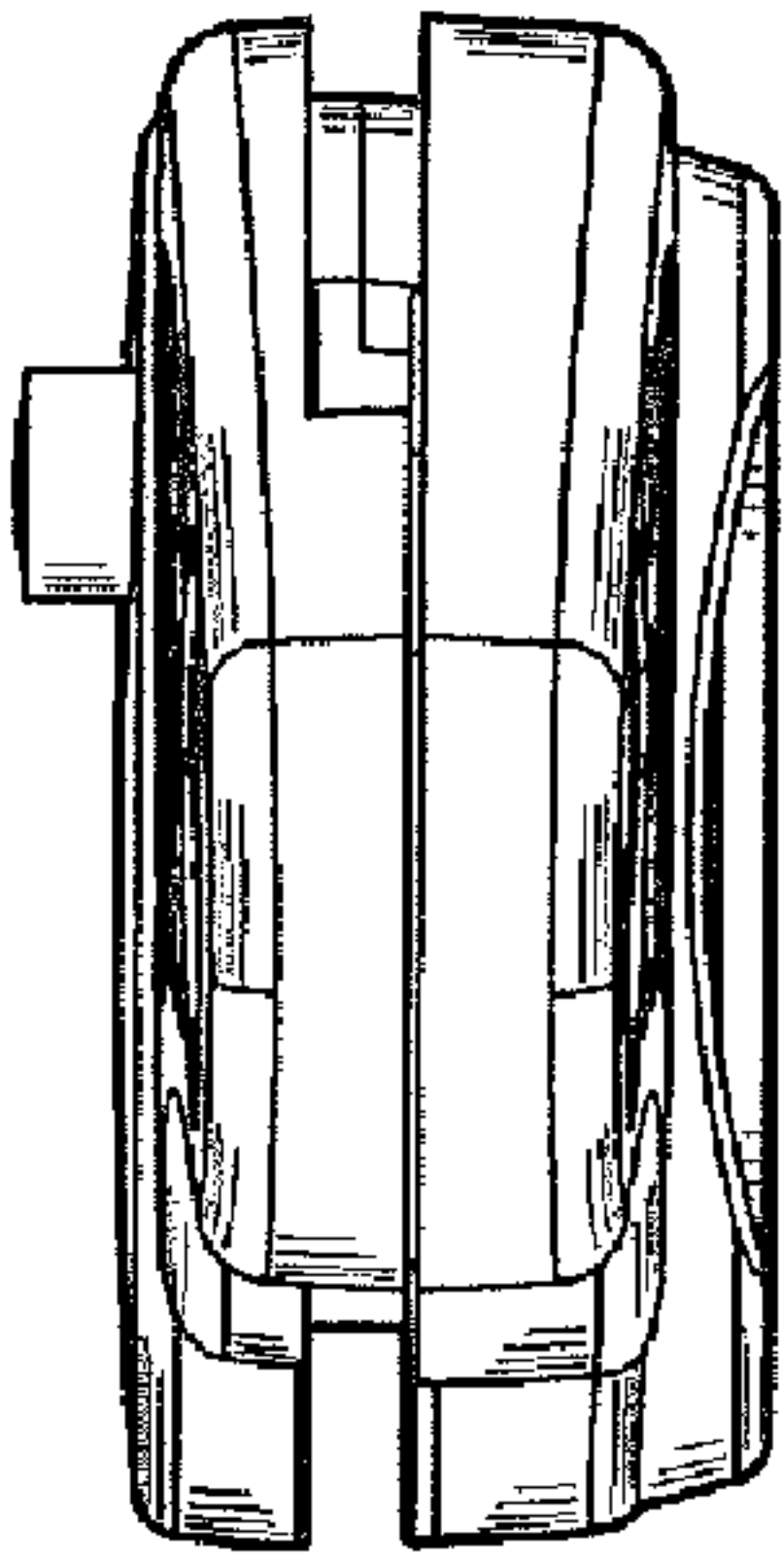


Fig. 4

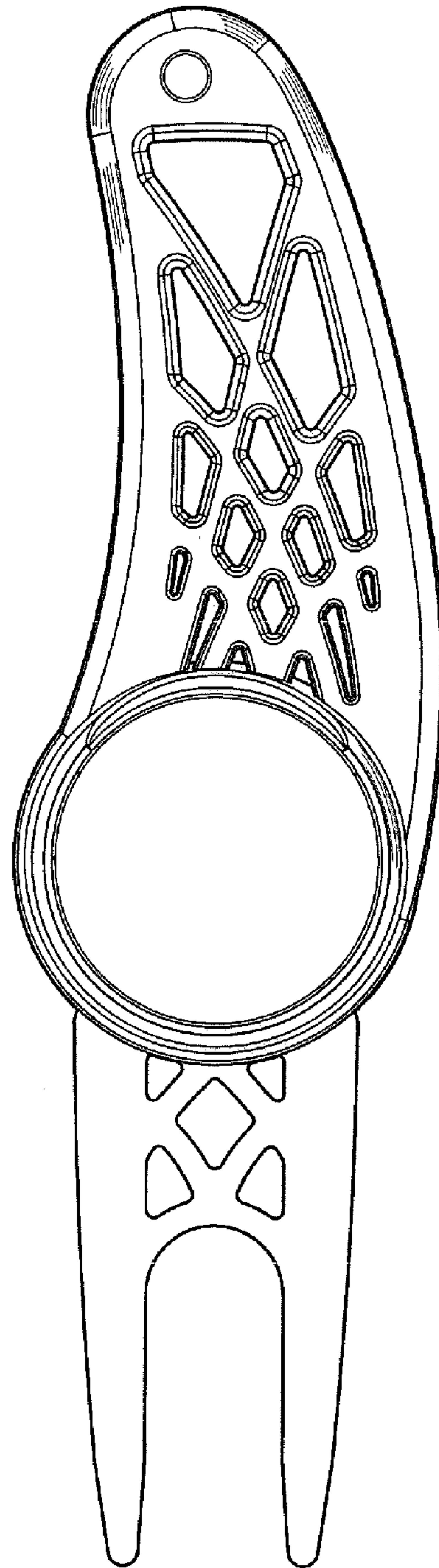


Fig. 5

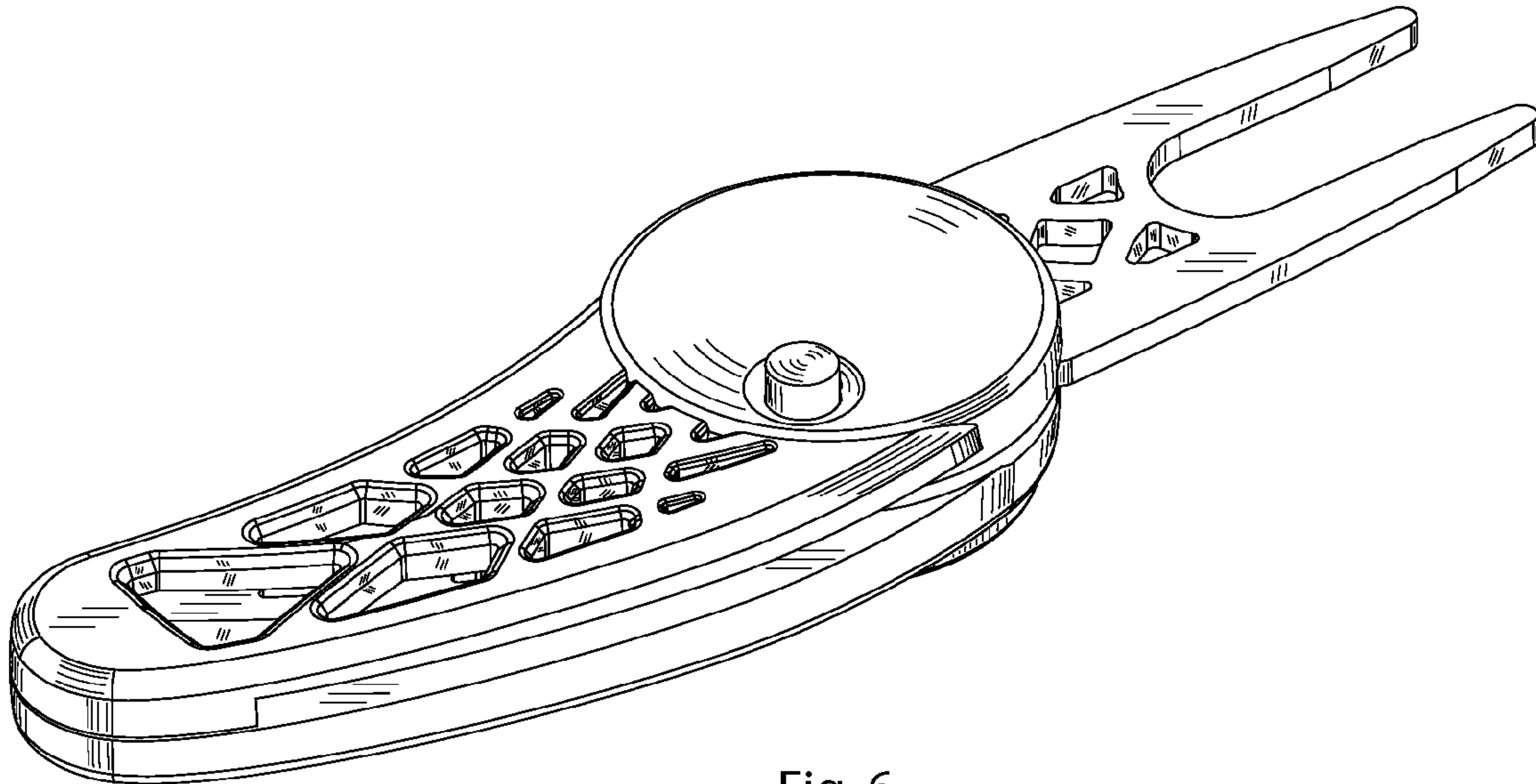


Fig. 6

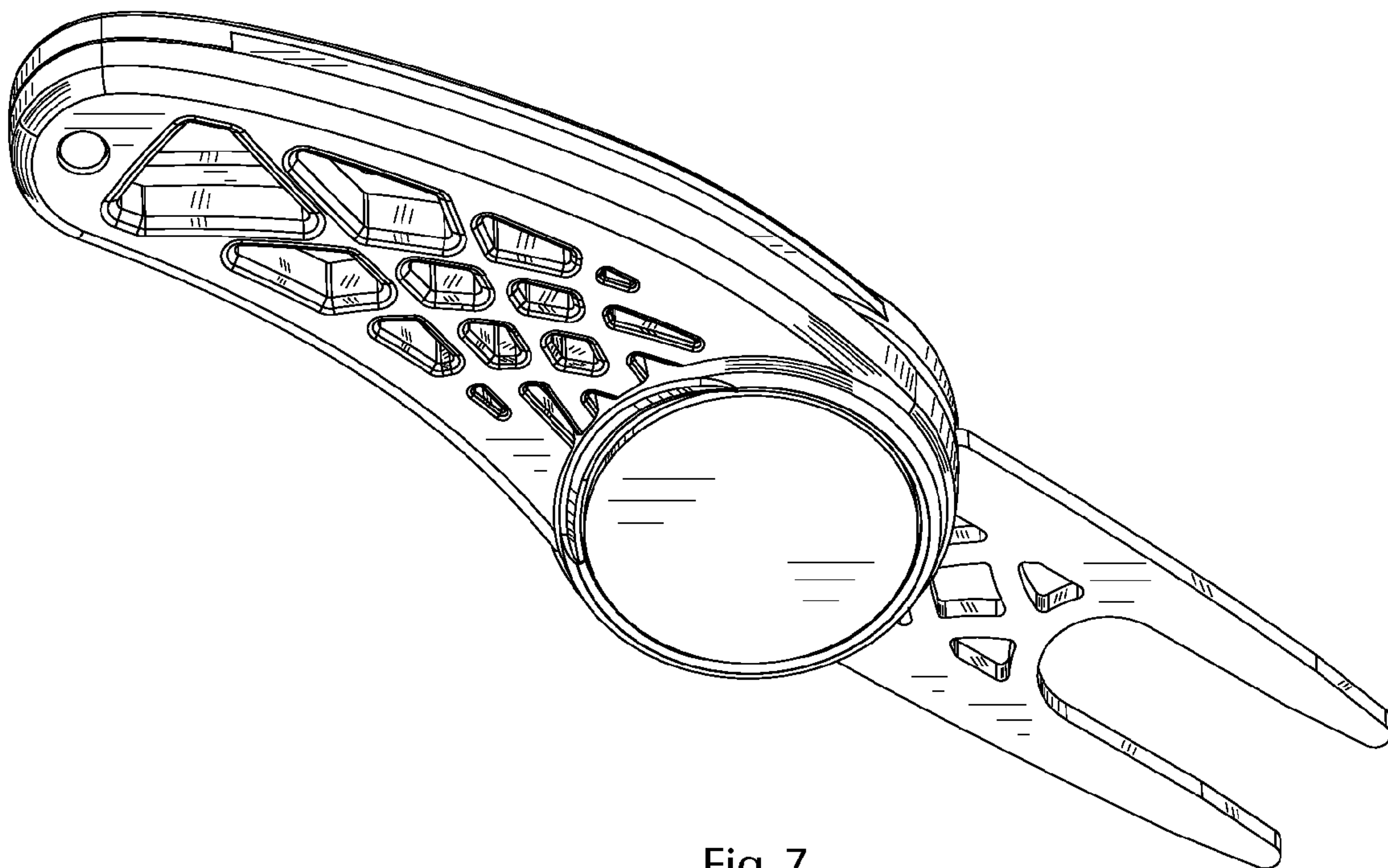


Fig. 7

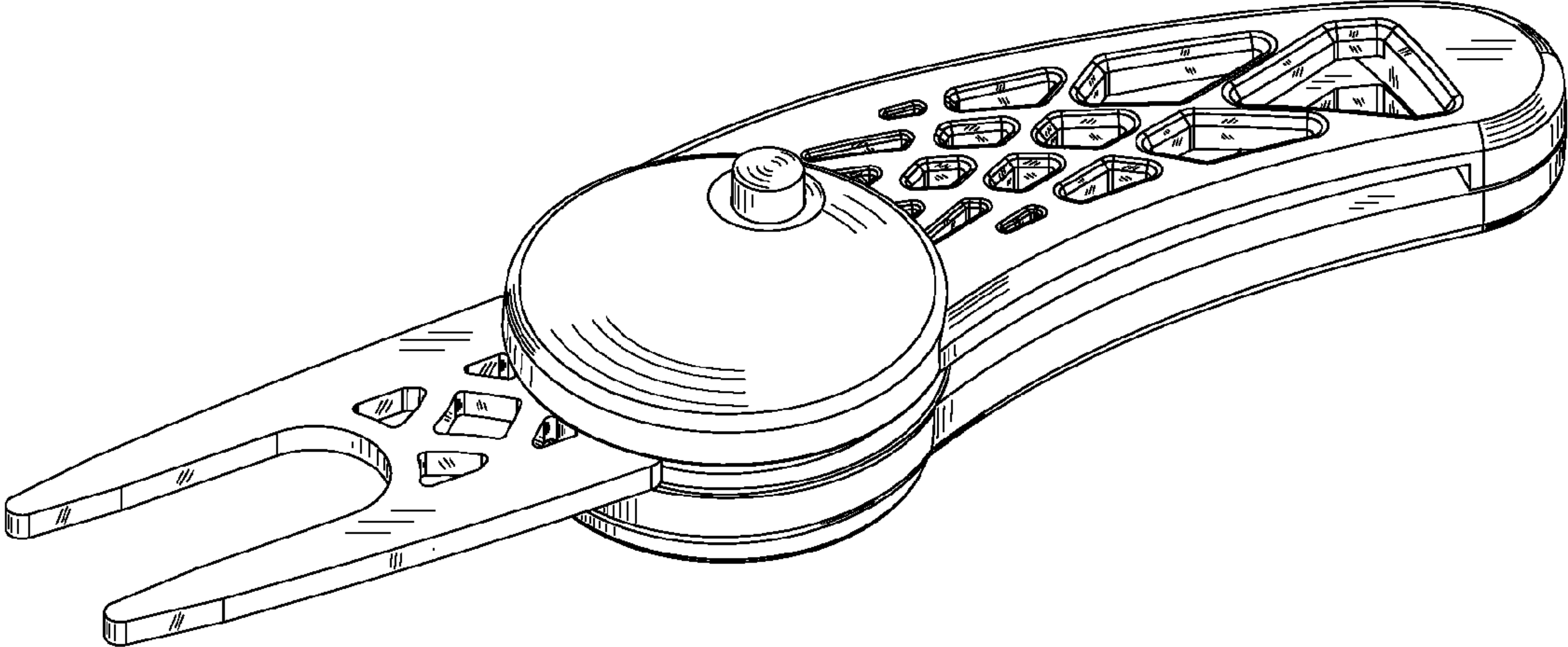


Fig. 8

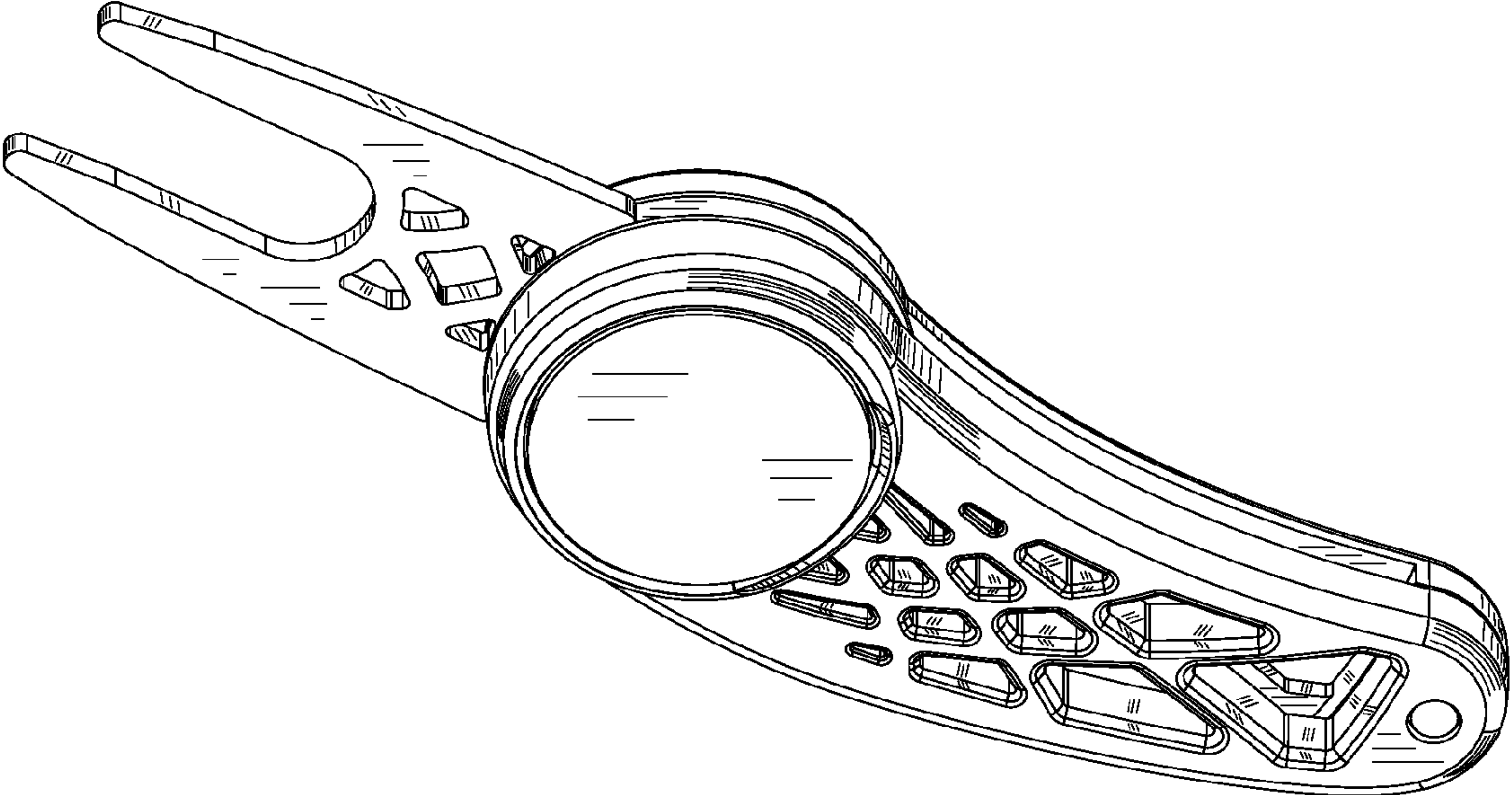


Fig. 9