



US00D651271S

(12) **United States Design Patent**
Edelman

(10) **Patent No.:** **US D651,271 S**

(45) **Date of Patent:** **** Dec. 27, 2011**

(54) **WEIGHTED DISC GOLF TRAINING AID**

(76) Inventor: **Lloyd Edelman**, Fort Worth, TX (US)

(**) Term: **14 Years**

(21) Appl. No.: **29/379,215**

(22) Filed: **Nov. 16, 2010**

(51) **LOC (9) Cl.** **21-02**

(52) **U.S. Cl.** **D21/791**

(58) **Field of Classification Search** D21/759,
D21/722, 789-796; 473/276, 198, 470, 478,
473/516, 446, 588, 465; 446/46, 446

See application file for complete search history.

(56) **References Cited**

U.S. PATENT DOCUMENTS

D245,306 S *	8/1977	Ryden et al.	D21/795
4,588,191 A *	5/1986	Stewart	473/256
D412,711 S *	8/1999	Bruns	D15/29
5,951,353 A *	9/1999	Moore	446/46
D444,529 S *	7/2001	Wagner	D21/789
D485,325 S *	1/2004	Rohan-Weaver	D21/789
7,101,293 B2 *	9/2006	Tarng et al.	473/446
7,422,531 B2 *	9/2008	Tarng et al.	473/446
D582,498 S *	12/2008	Austin	D21/791
7,794,341 B2 *	9/2010	Tarng et al.	473/465

D632,351 S *	2/2011	Scott et al.	D21/794
2004/0077255 A1 *	4/2004	Tarng et al.	446/46
2009/0143175 A1 *	6/2009	Tarng et al.	473/470

* cited by examiner

Primary Examiner — Mitchell Siegel

(74) *Attorney, Agent, or Firm* — Szarzynski, PLLC;
Jonathan E Szarzynski

(57) **CLAIM**

The ornamental design for a weighted disc golf training aid,
as shown and described.

DESCRIPTION

FIG. 1 is a perspective view.

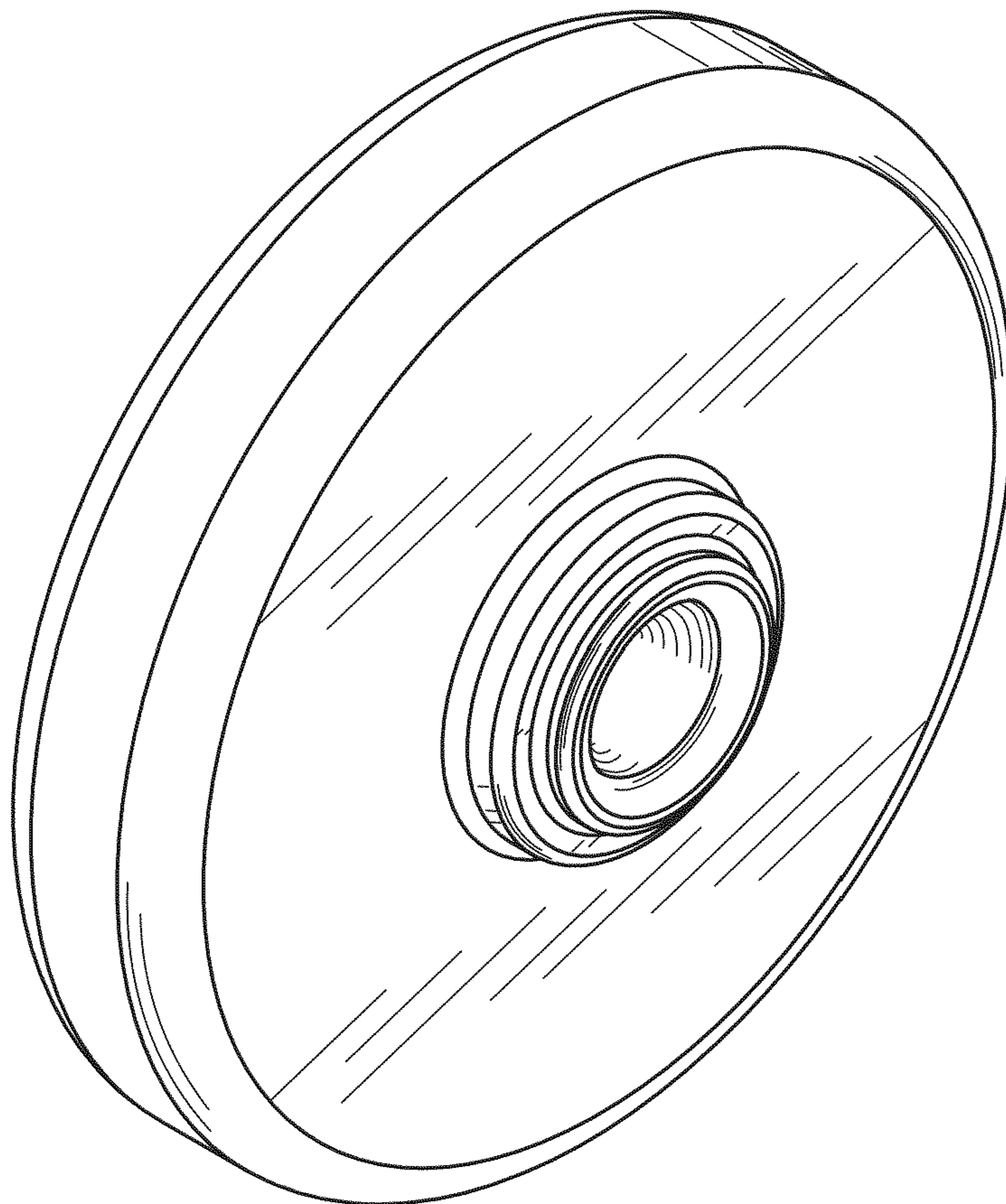
FIG. 2 is a left side view of the weighted disc golf training aid,
the right side is a mirror image of the left side;

FIG. 3 is a top view of the weighted disc golf training aid, the
bottom view is a mirror image of the top view;

FIG. 4 is a front view of the weighted disc golf training aid,
the bottom view is a mirror image of the top view; and,

FIG. 5 is a front view of the weighted disc golf training aid
The broken line showing of the hand and arrow markings are
for illustrative purposes only and form no part of the claimed
design.

1 Claim, 5 Drawing Sheets



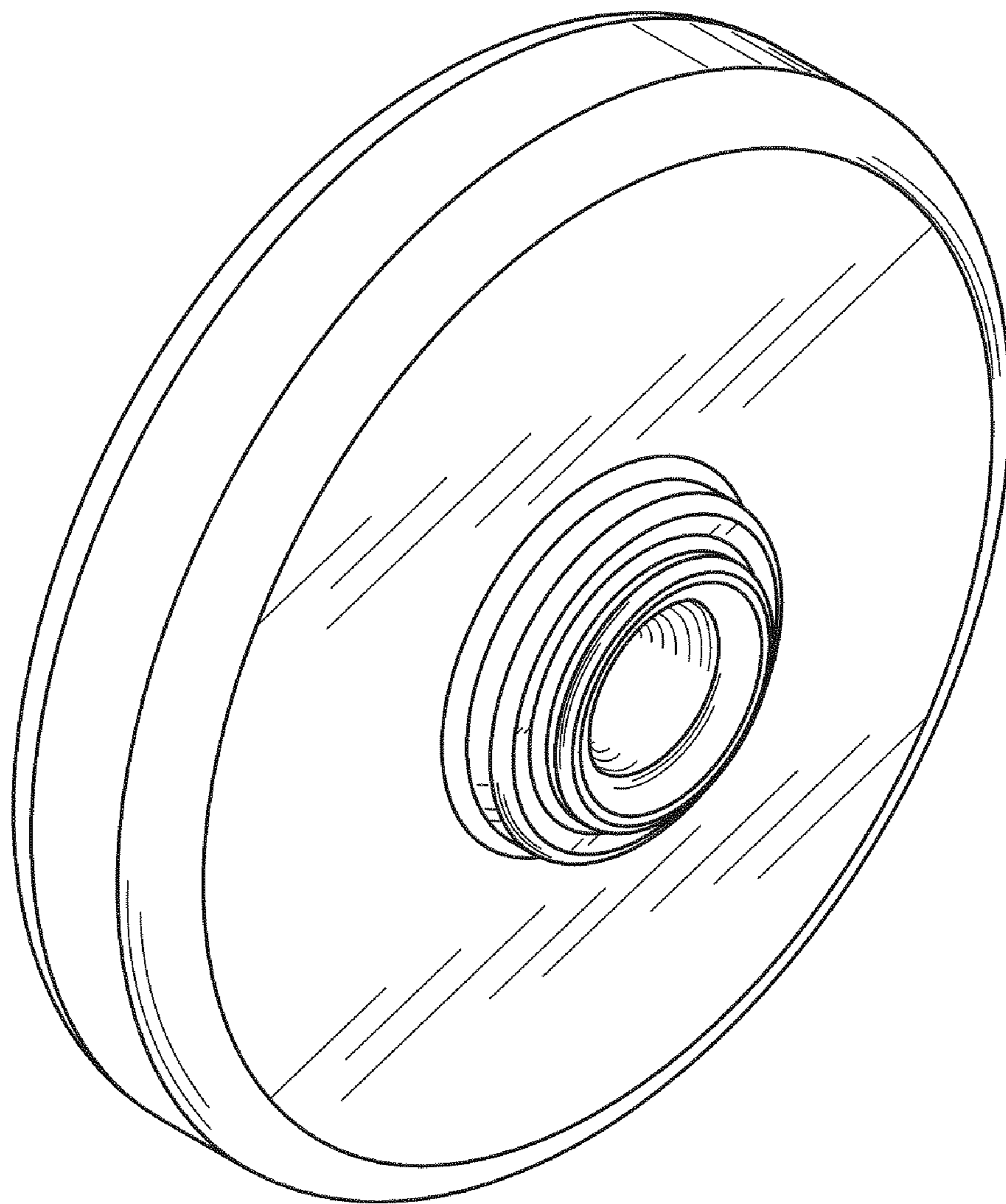


FIG. 1



FIG. 2

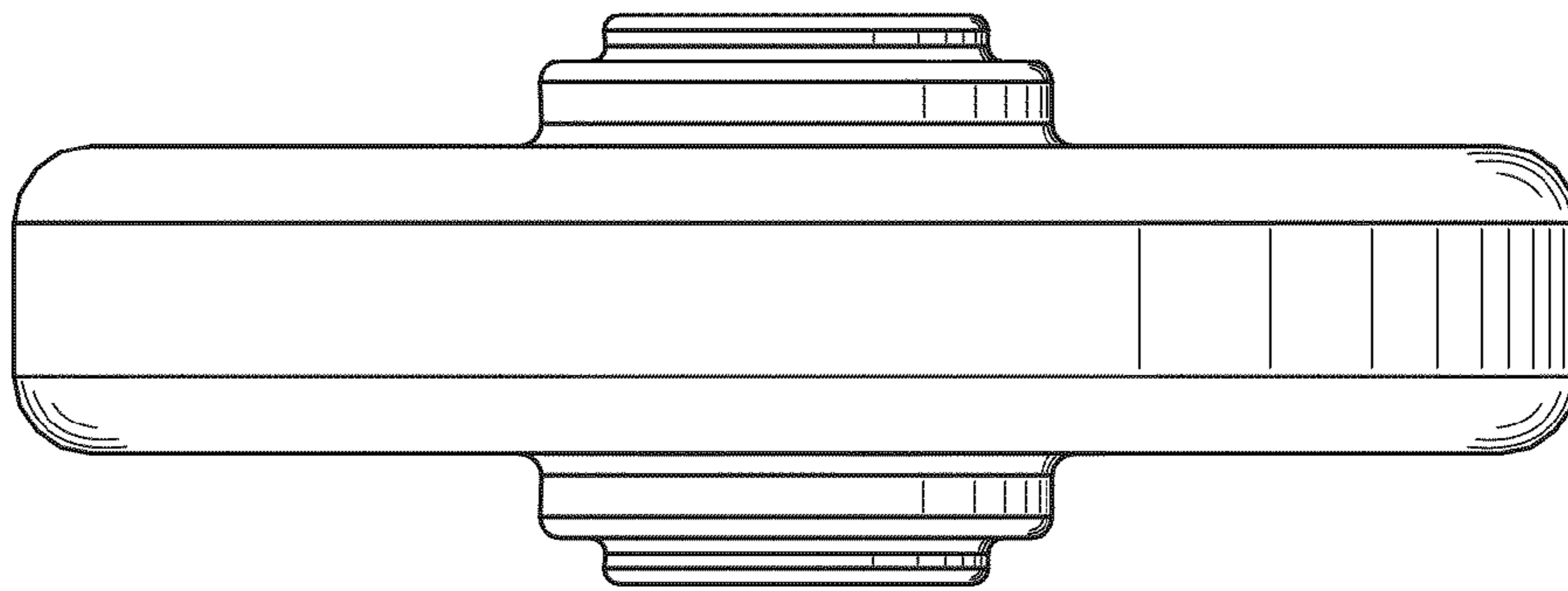


FIG. 3

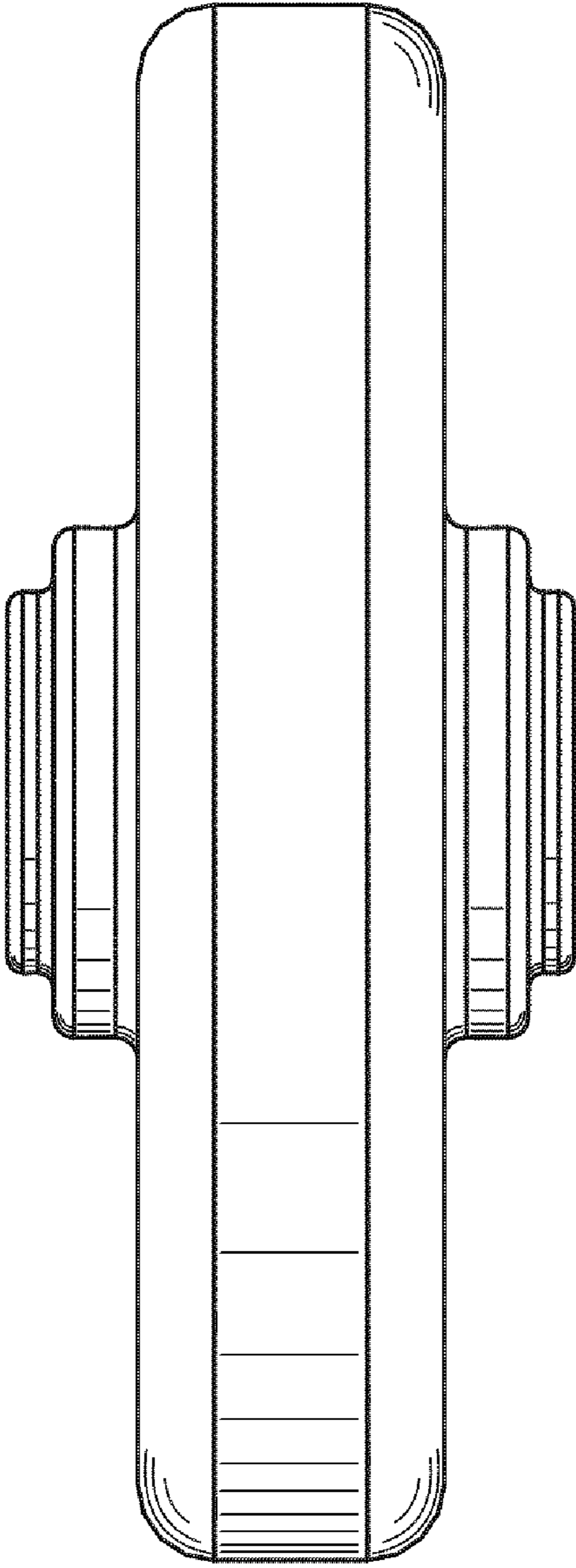


FIG. 4

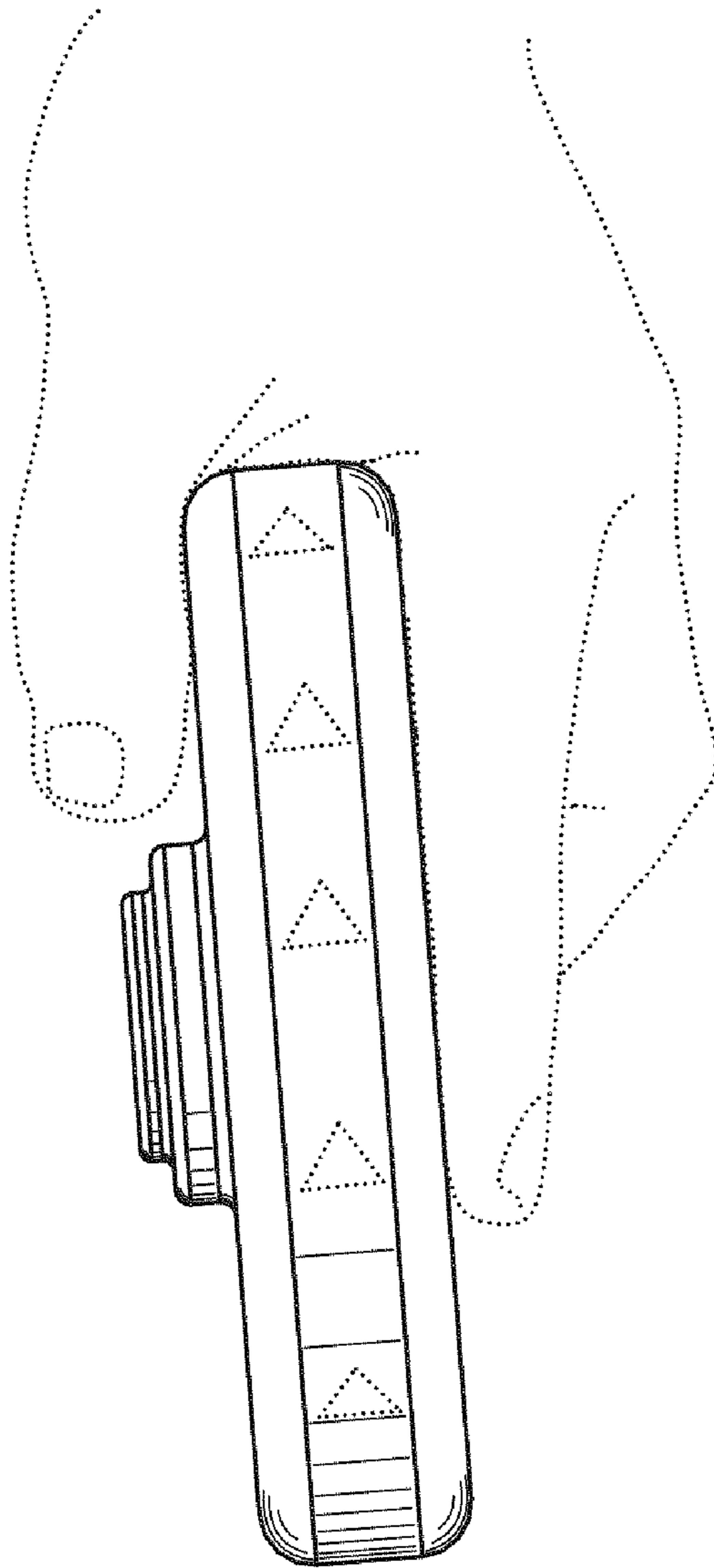


FIG. 5