



US00D651267S

(12) **United States Design Patent**
Corcoran

(10) **Patent No.:** **US D651,267 S**

(45) **Date of Patent:** **** Dec. 27, 2011**

(54) **BALL GRABBER**

(76) Inventor: **Jerry Alvin Corcoran**, Canby, OR (US)

(**) Term: **14 Years**

(21) Appl. No.: **29/387,624**

(22) Filed: **Mar. 15, 2011**

(51) **LOC (9) Cl.** **21-02**

(52) **U.S. Cl.** **D21/721**

(58) **Field of Classification Search** D21/721,
D21/789, 722, 759; 473/286; 194/19.2,
194/187

See application file for complete search history.

(56) **References Cited**

U.S. PATENT DOCUMENTS

1,830,520 A * 11/1931 Moyses 294/19.2
D195,629 S * 7/1963 Borah D21/721
6,638,177 B1 * 10/2003 Wang 473/286

D497,656 S * 10/2004 Maraschiello D21/721
D524,886 S * 7/2006 Baril D21/721
D575,365 S * 8/2008 Duhon D21/721

* cited by examiner

Primary Examiner — Mitchell Siegel

(74) *Attorney, Agent, or Firm* — Nicole Hyatt

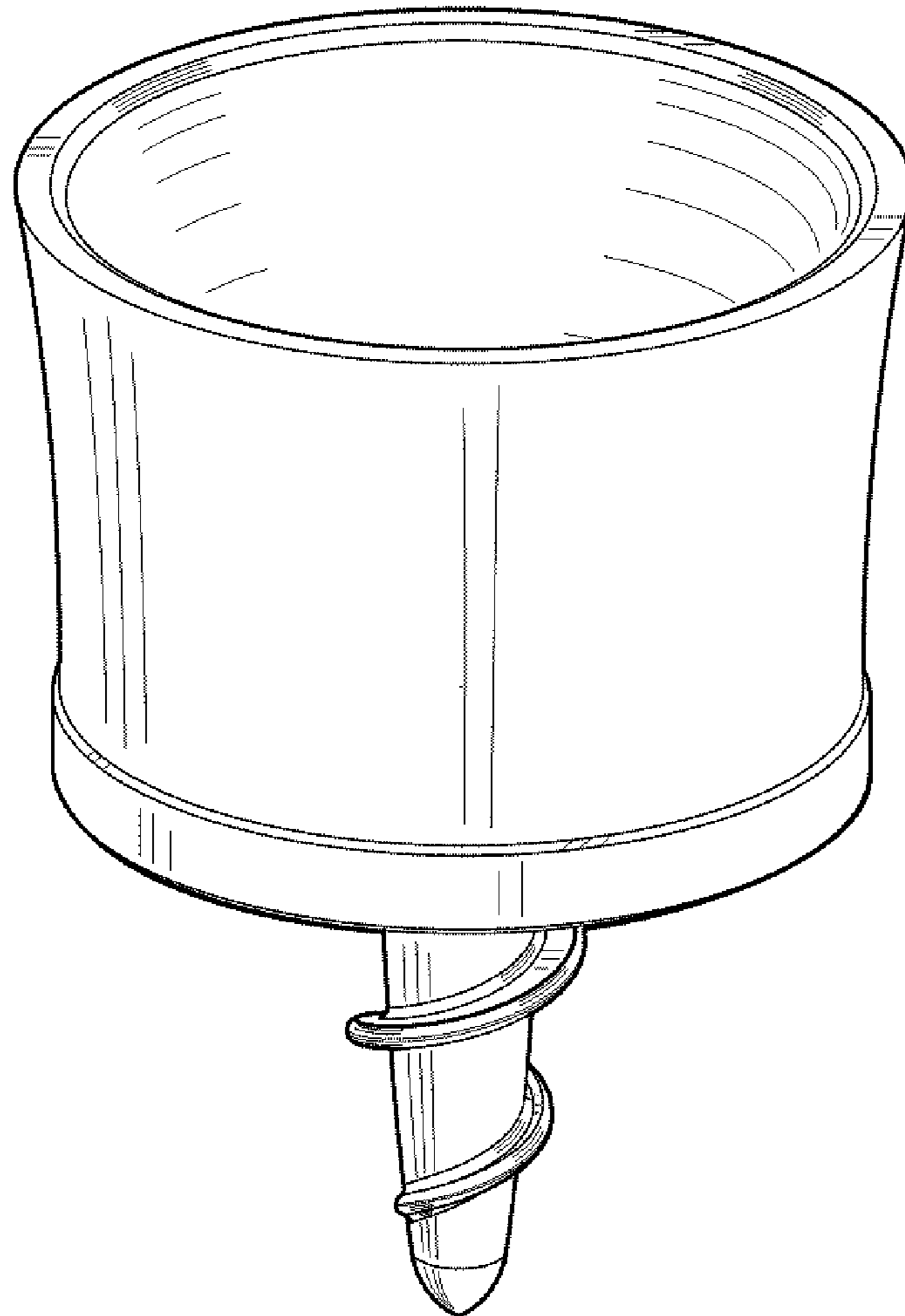
(57) **CLAIM**

The ornamental design for the ball grabber, as shown and described.

DESCRIPTION

FIG. 1 is a top view of the ball grabber;
FIG. 2 is a side view of the ball grabber;
FIG. 3 is a top, side perspective view of the ball grabber; and,
FIG. 4 is a bottom, side perspective view of the ball grabber.

1 Claim, 2 Drawing Sheets



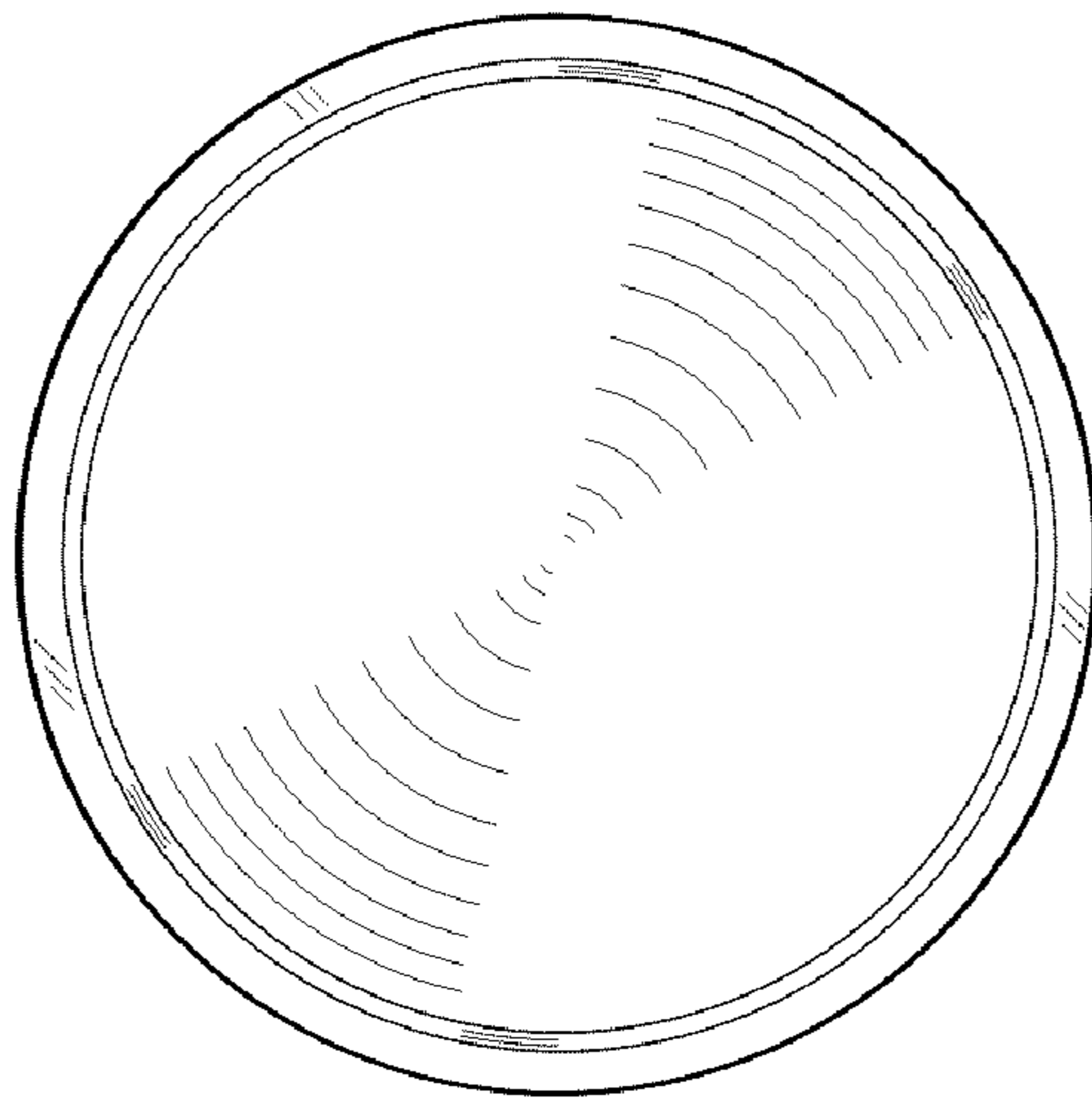


Fig. 1

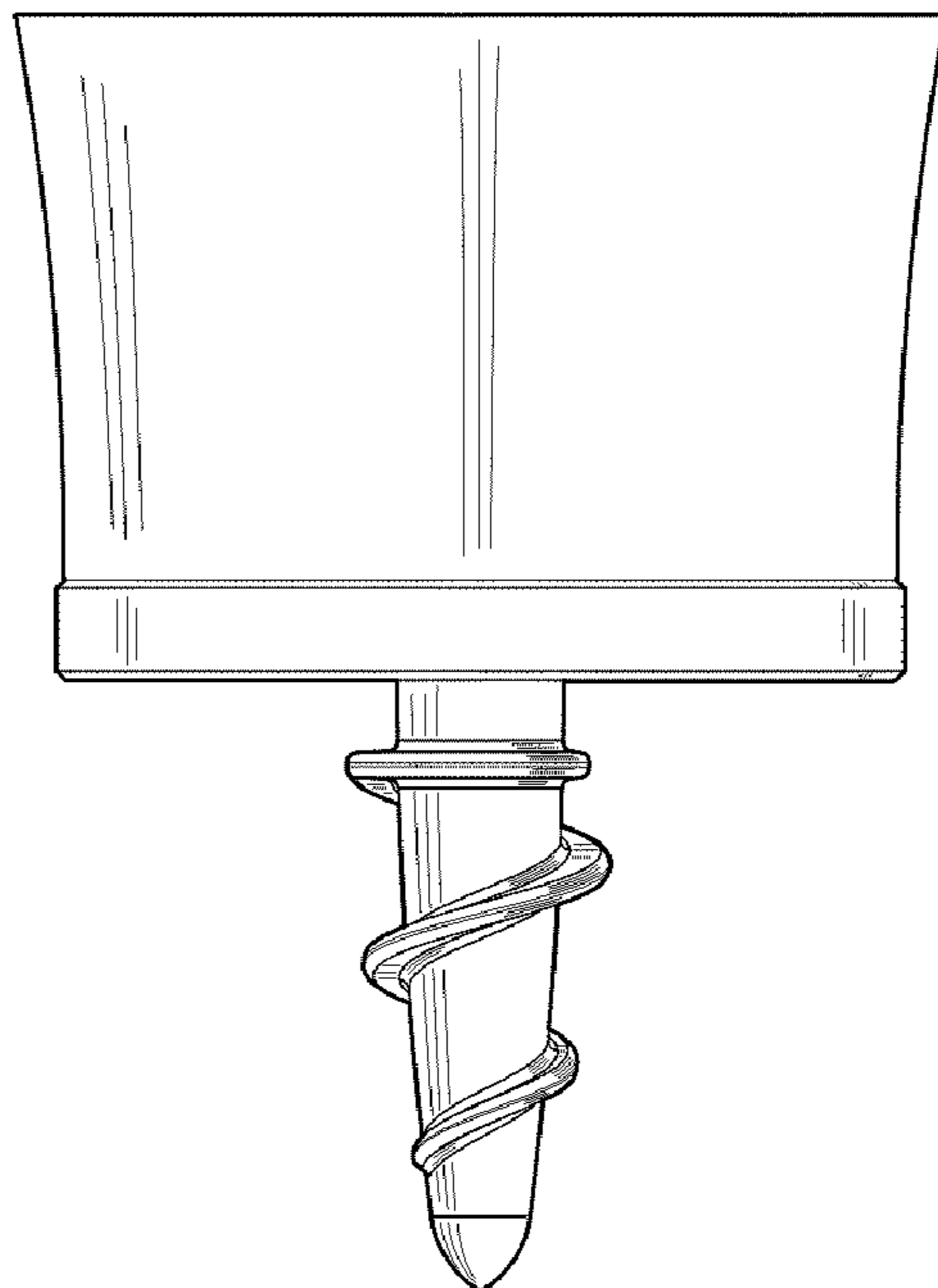


Fig. 2

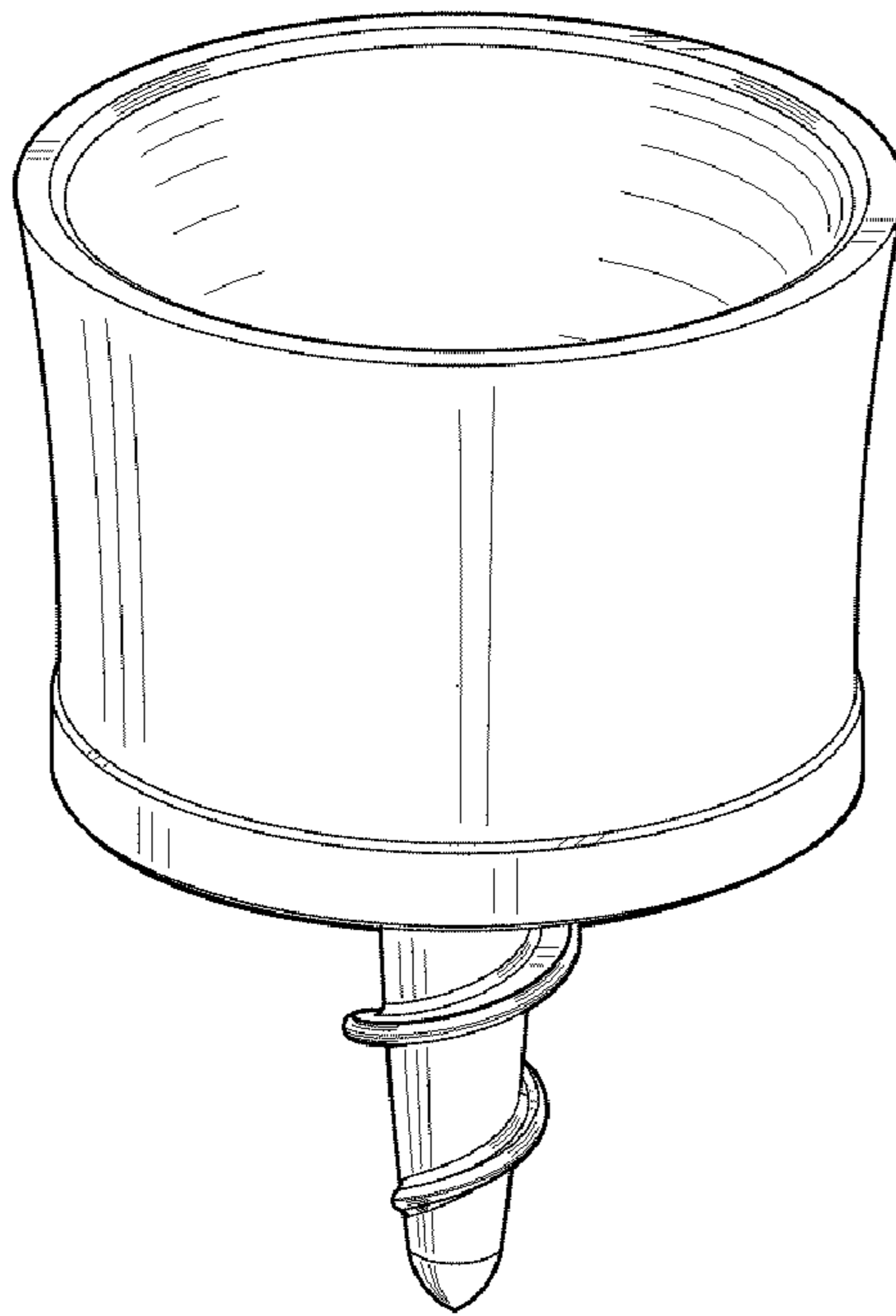


Fig. 3

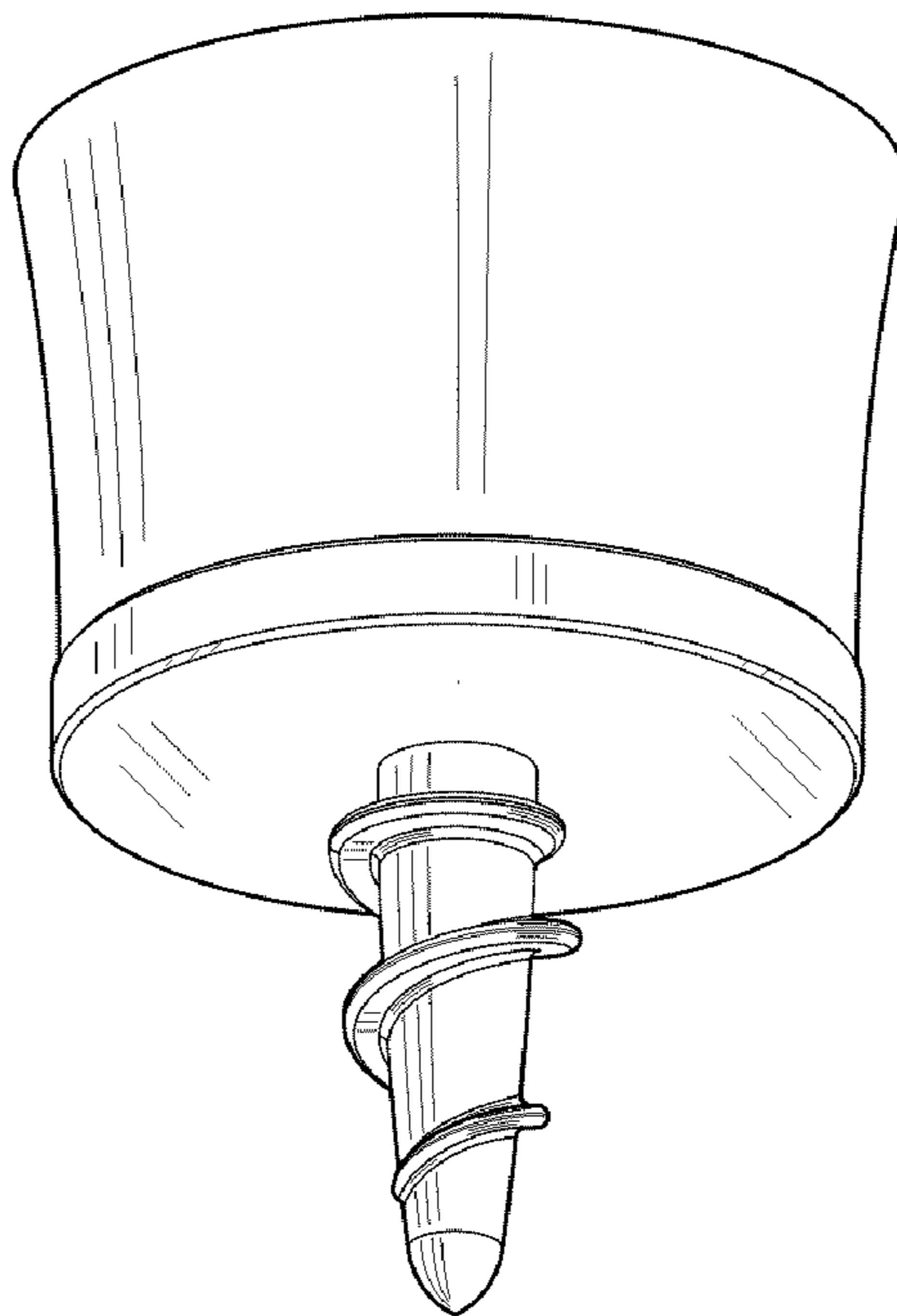


Fig. 4