



US00D651266S

(12) **United States Design Patent**
Swagel et al.

(10) **Patent No.:** **US D651,266 S**
(45) **Date of Patent:** **** Dec. 27, 2011**

(54) **GOLF TEE**

(76) Inventors: **Darrin M. Swagel**, St. Louis Park, MN
(US); **Mark A. Krull**, New Braunfels,
TX (US)

(**) Term: **14 Years**

(21) Appl. No.: **29/372,754**

(22) Filed: **Jan. 6, 2011**

(51) **LOC (9) Cl.** **21-02**

(52) **U.S. Cl.** **D21/718**

(58) **Field of Classification Search** D21/715-721,
D21/789-796; 473/387-403

See application file for complete search history.

(56) **References Cited**

U.S. PATENT DOCUMENTS

1,664,400	A *	4/1928	Copp	473/388
1,671,813	A *	5/1928	Clarke	473/403
3,782,723	A *	1/1974	Morris	473/403
5,193,803	A *	3/1993	Flick, III	473/392
D359,785	S *	6/1995	Kent	D21/796
D379,551	S *	5/1997	Hubbard	D27/183
D404,448	S *	1/1999	Lawrence	D21/718
D439,944	S *	4/2001	Graham	D21/717
D451,636	S *	12/2001	Chang	D27/183
D559,926	S *	1/2008	Wood	D21/718
D586,411	S *	2/2009	Iacono	D21/717
2002/0094887	A1 *	7/2002	Echaves	473/393
2008/0234072	A1 *	9/2008	Seaman	473/397

FOREIGN PATENT DOCUMENTS

GB	2041312	*	3/1995
GB	2365781	A *	2/2002
JP	10015136	A *	1/1998
JP	2007082985	A *	4/2007
WO	WO 232516	A1 *	4/2002
WO	WO 2004022167	A2 *	3/2004

* cited by examiner

Primary Examiner — Catherine Tuttle

(57) **CLAIM**

The ornamental design for a golf tee, as shown and described.

DESCRIPTION

FIG. 1 is a perspective view showing our new design for a golf tee in relation to a conventional golf ball depicted in phantom lines;

FIG. 2 is a front view of FIG. 1;

FIG. 3 is a side view of FIG. 1;

FIG. 4 is a rear view of FIG. 1;

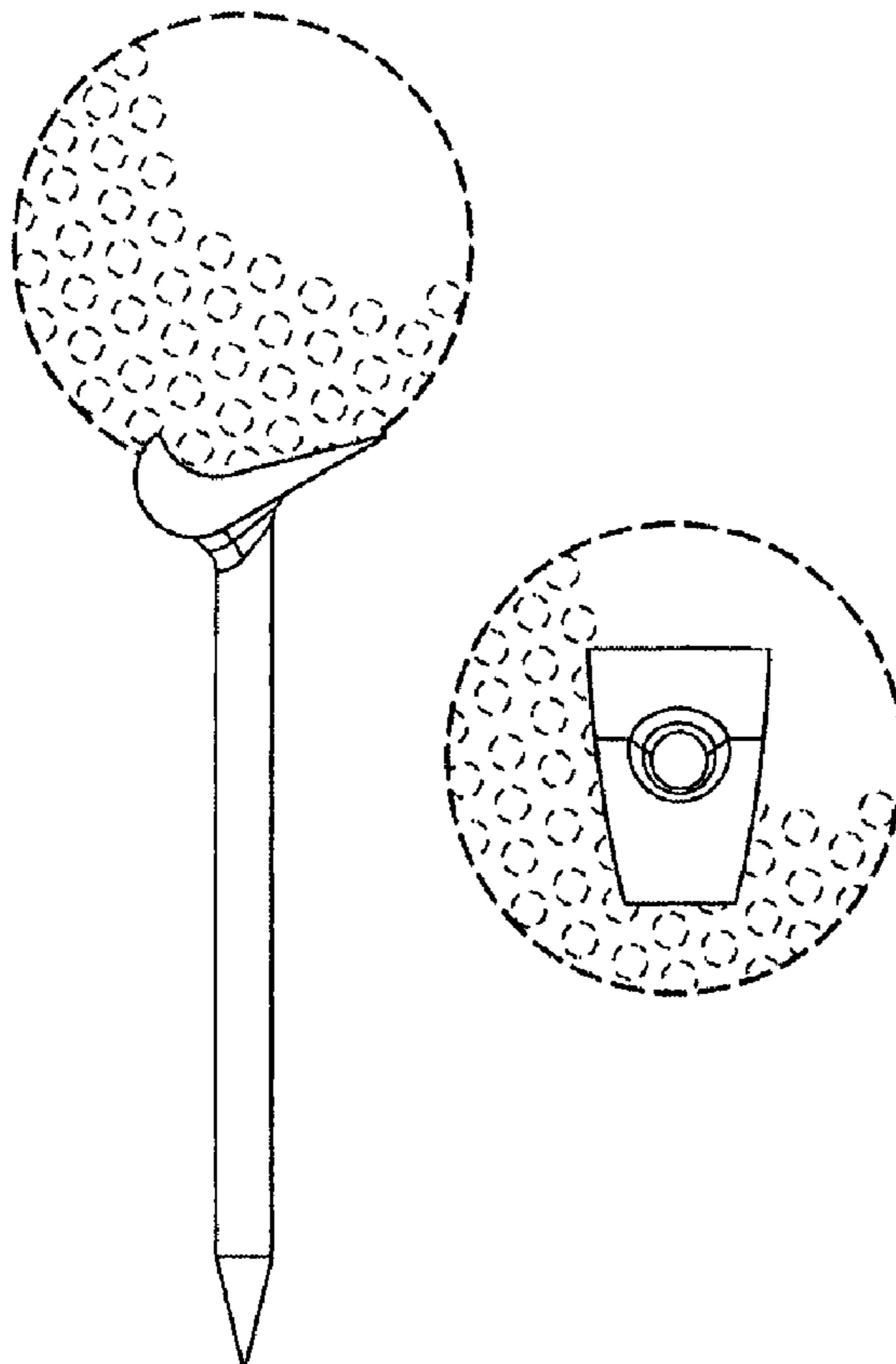
FIG. 5 is an opposite side view of FIG. 1;

FIG. 6 is a top view of FIG. 1; and,

FIG. 7 is a bottom view of FIG. 1.

The golf ball shown in broken lines and upper surface portion wholly obscured by the golf ball form no part of the claimed design.

1 Claim, 1 Drawing Sheet



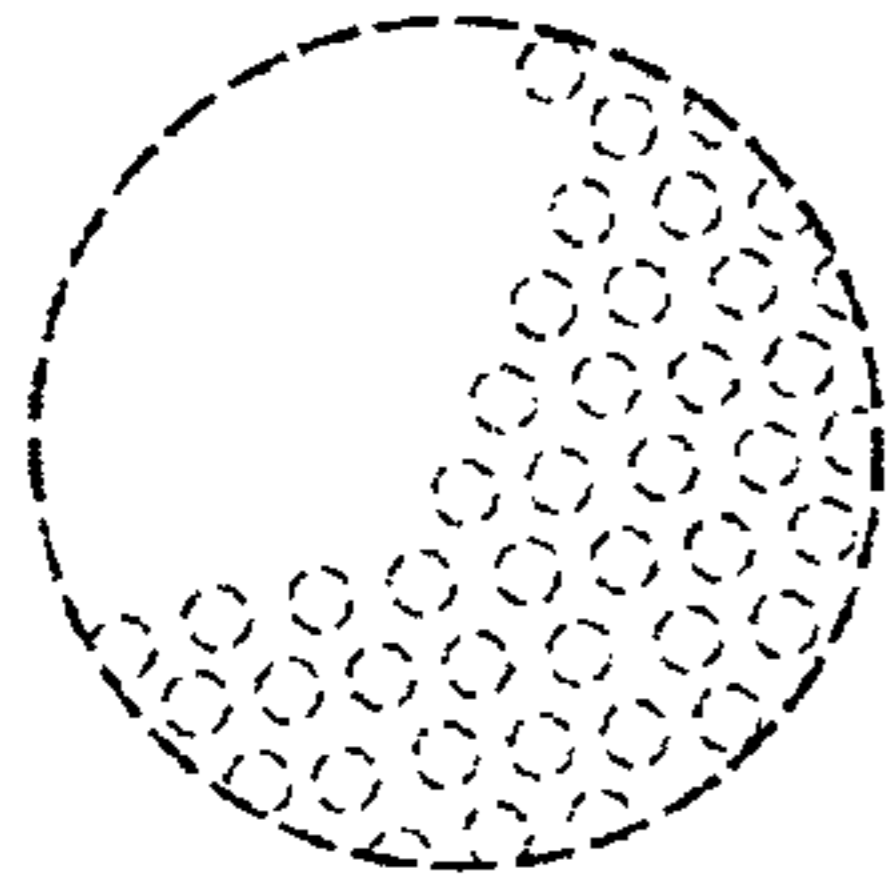


Fig. 6

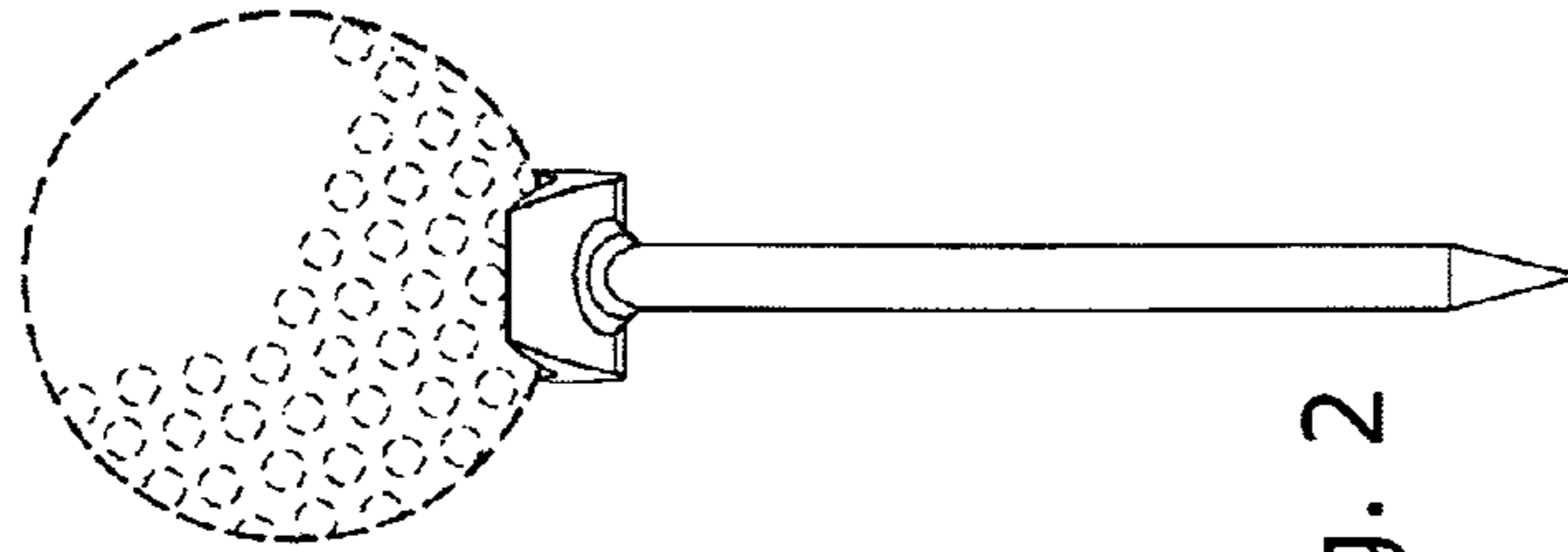


Fig. 2

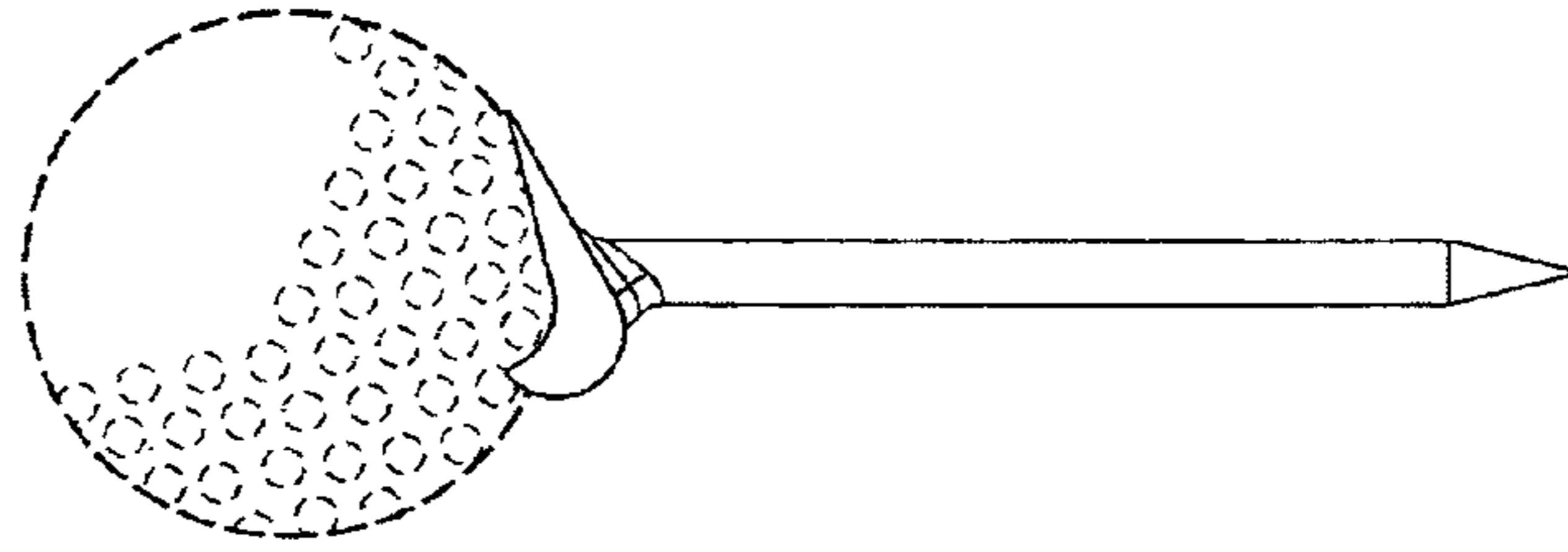


Fig. 3

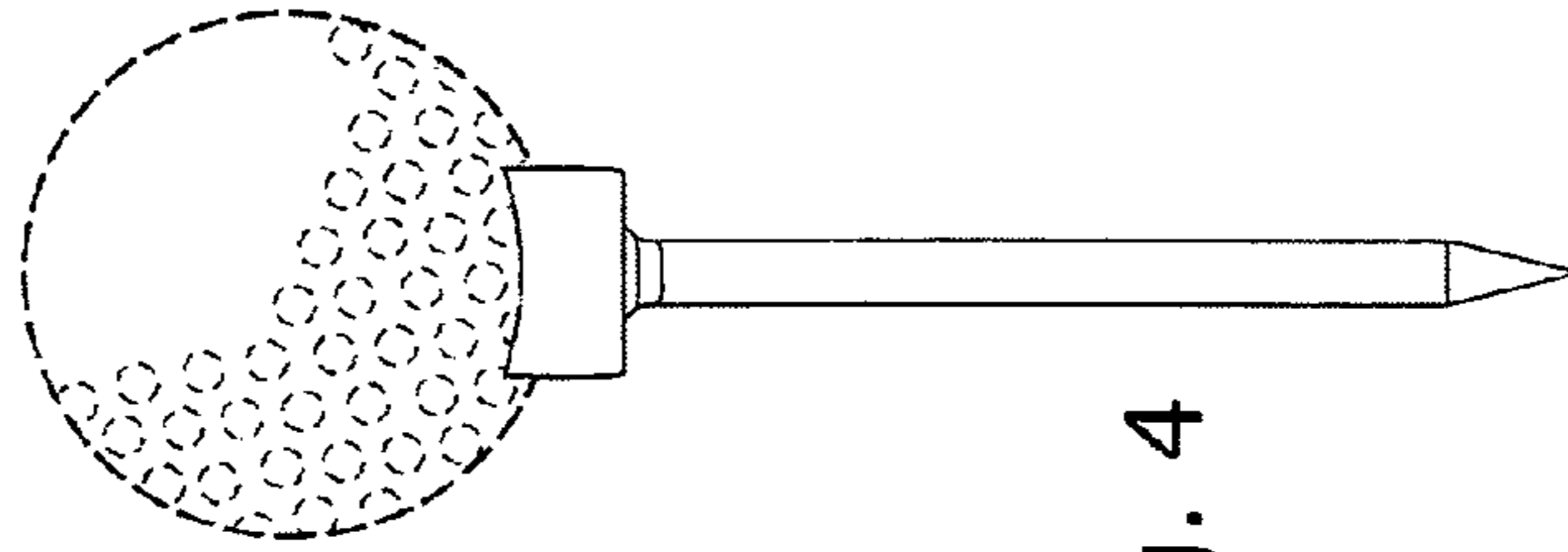


Fig. 4

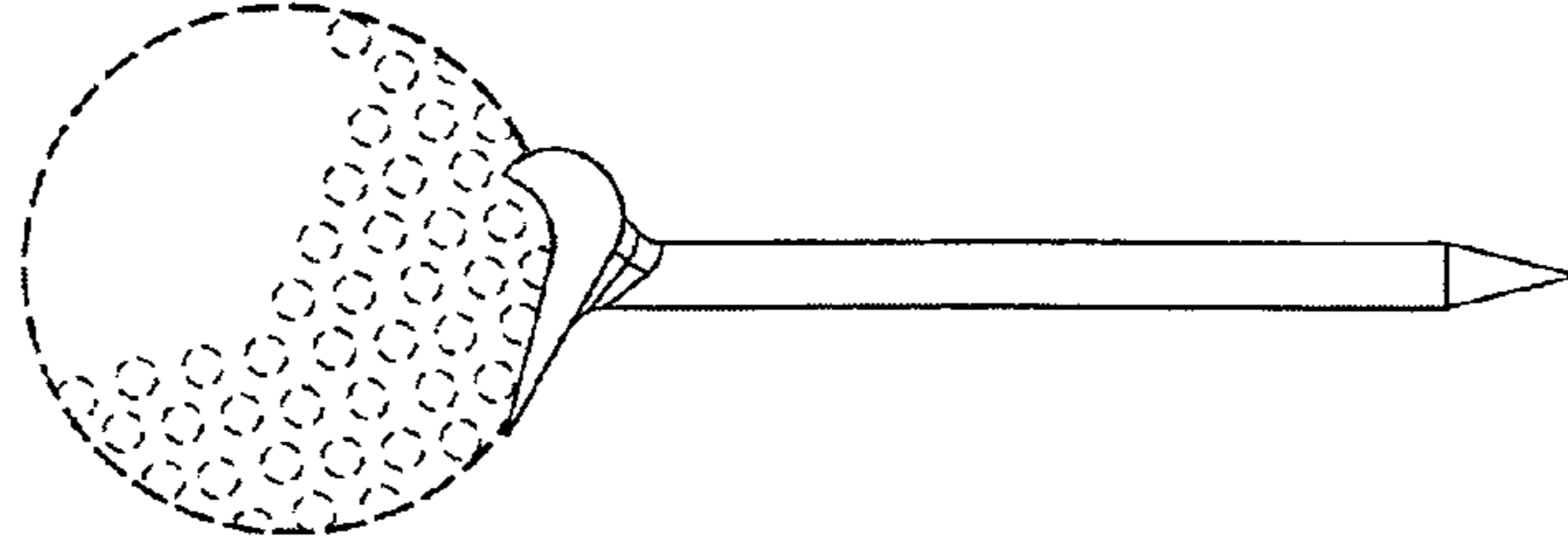


Fig. 5

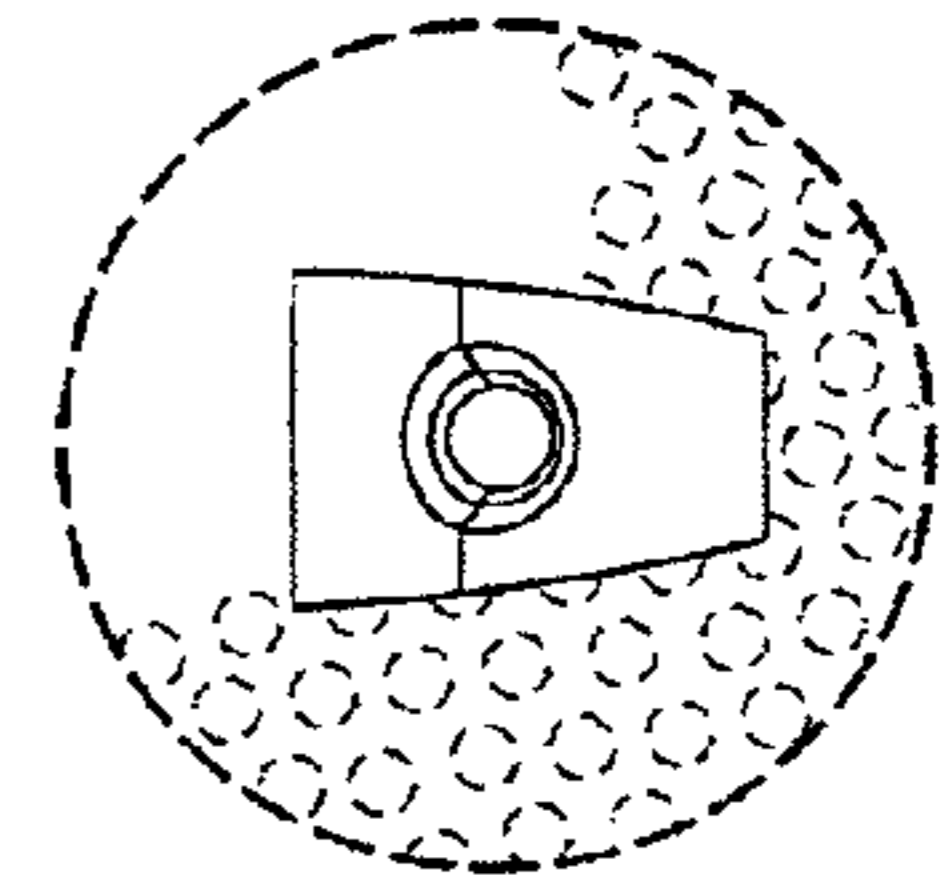


Fig. 7

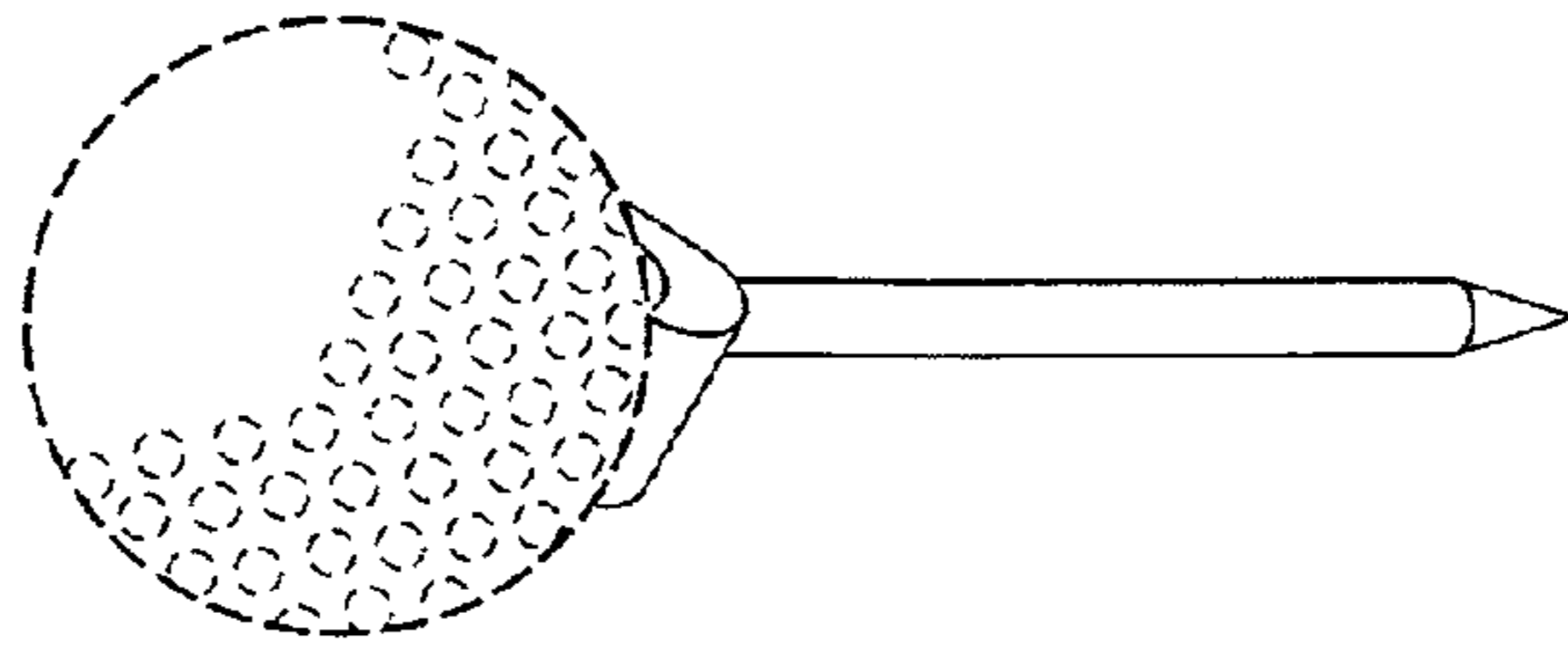


Fig. 1