



US00D651265S

(12) **United States Design Patent**
Guerrero

(10) **Patent No.:** **US D651,265 S**

(45) **Date of Patent:** **** Dec. 27, 2011**

(54) **PAPER GOLF TEE**

(76) Inventor: **Conrad Guerrero**, Pueblo, CO (US)

(**) Term: **14 Years**

(21) Appl. No.: **29/365,971**

(22) Filed: **Jul. 16, 2010**

(51) **LOC (9) Cl.** **21-02**

(52) **U.S. Cl.** **D21/717**

(58) **Field of Classification Search** D21/715-721,
D21/789-796; D9/700-702, 711, 713, 715,
D9/718, 721, 722, 414-416, 418, 419, 430-434,
D9/444, 455-499; D19/1-8, 20-26; D20/10,
D20/19, 22, 27, 40, 99; 473/387-403; 206/579,
206/315.1, 474, 476; 211/14; 248/459, 174;
40/124.01, 124.06, 124.09, 124.14, 124.15,
40/661.08, 672, 674

See application file for complete search history.

(56) **References Cited**

U.S. PATENT DOCUMENTS

| | | | | | |
|-----------|-----|---------|-----------------|-------|----------|
| 666,941 | A * | 1/1901 | Streit | | 248/459 |
| 1,379,612 | A * | 5/1921 | Baver | | 248/459 |
| 1,486,652 | A * | 3/1924 | Froelich | | 40/750 |
| 1,766,938 | A * | 6/1930 | Phillips | | 473/389 |
| 1,897,519 | A * | 2/1933 | Kershaw | | 473/389 |
| D99,905 | S * | 6/1936 | Sweeney | | D9/701 |
| 2,898,110 | A * | 8/1959 | Overbaugh | | 473/388 |
| 2,930,615 | A * | 3/1960 | Cowan | | 473/388 |
| 3,063,722 | A * | 11/1962 | Overbaugh | | 473/389 |
| 3,263,820 | A * | 8/1966 | McFadden et al. | | 211/60.1 |

| | | | | | |
|--------------|------|---------|--------------|-------|---------|
| 4,709,895 | A * | 12/1987 | Mardak | | 248/460 |
| D451,800 | S * | 12/2001 | Pryde et al. | | D9/415 |
| D537,712 | S * | 3/2007 | Dempsey | | D9/431 |
| 2003/0051384 | A1 * | 3/2003 | Miska | | 40/789 |

* cited by examiner

Primary Examiner — Catherine Tuttle

(74) *Attorney, Agent, or Firm* — Sinorica, LLC

(57) **CLAIM**

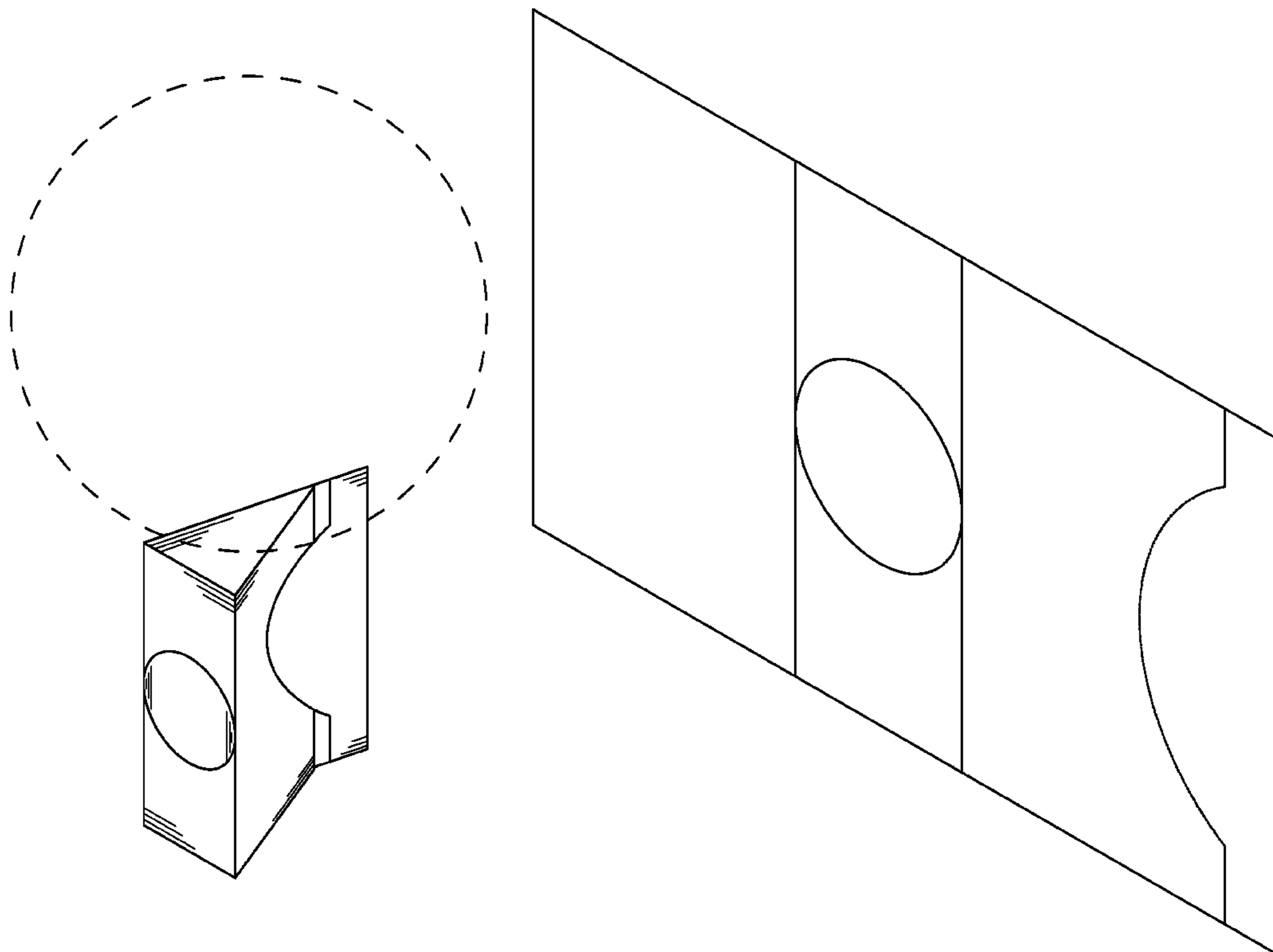
The ornamental design for a paper golf tee, as shown and described.

DESCRIPTION

FIG. 1 is a perspective view of a paper golf tee;
 FIG. 2 is a front elevational view thereof;
 FIG. 3 is a rear elevational view thereof;
 FIG. 4 is a left-side elevational view thereof;
 FIG. 5 is a right-side elevational view thereof;
 FIG. 6 is a bottom plan view thereof;
 FIG. 7 is a top plan view thereof;
 FIG. 8 is a perspective view thereof showing the invention holding a golf ball;
 FIG. 9 is a perspective view of the unfolded paper golf tee; and,
 FIG. 10 is a front elevational view of the unfolded paper golf tee.

The broken line showing of the golf ball is for the purpose of illustrating environmental structure and forms no part of the claimed design.

1 Claim, 8 Drawing Sheets



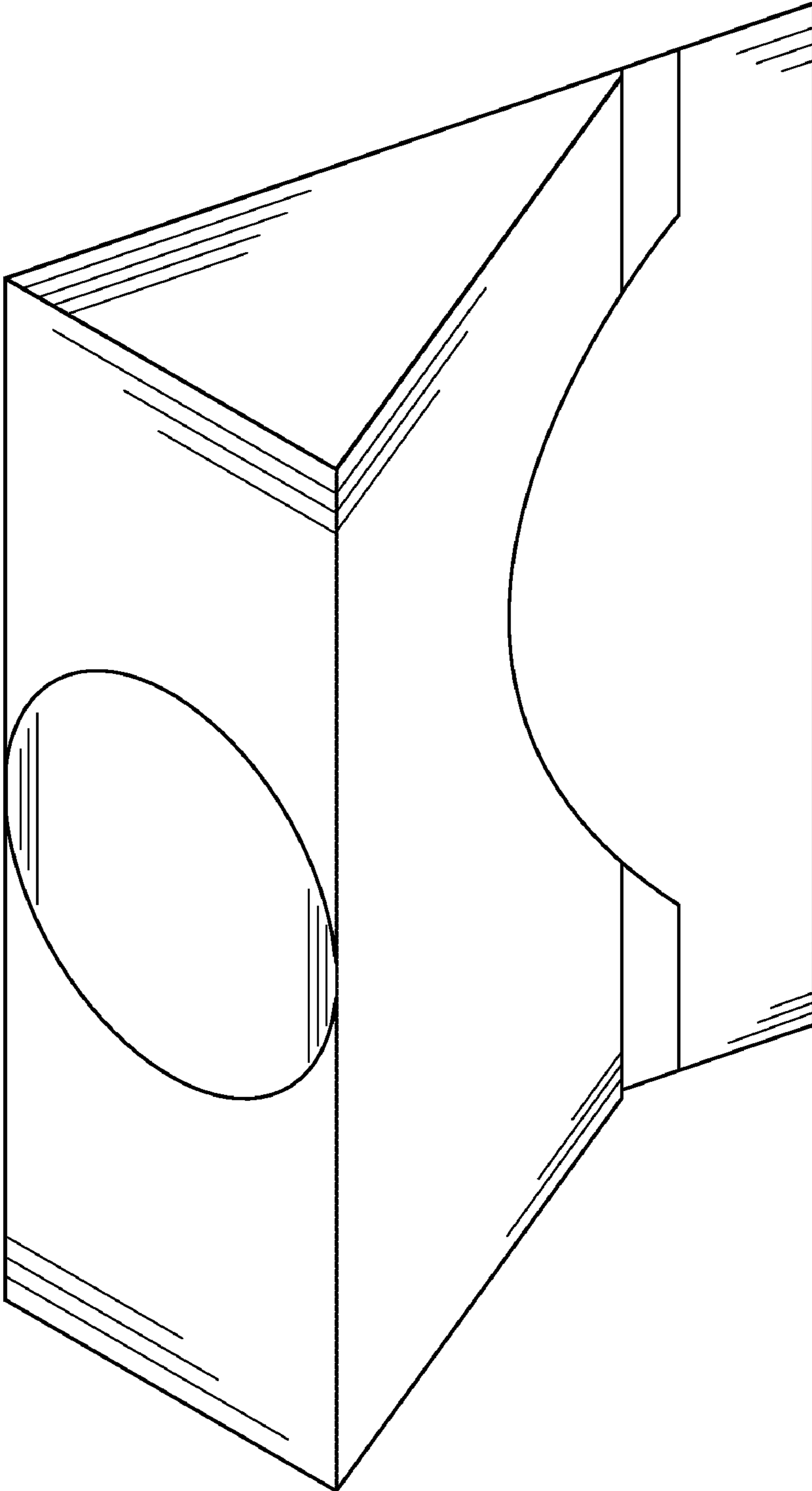


FIG. 1

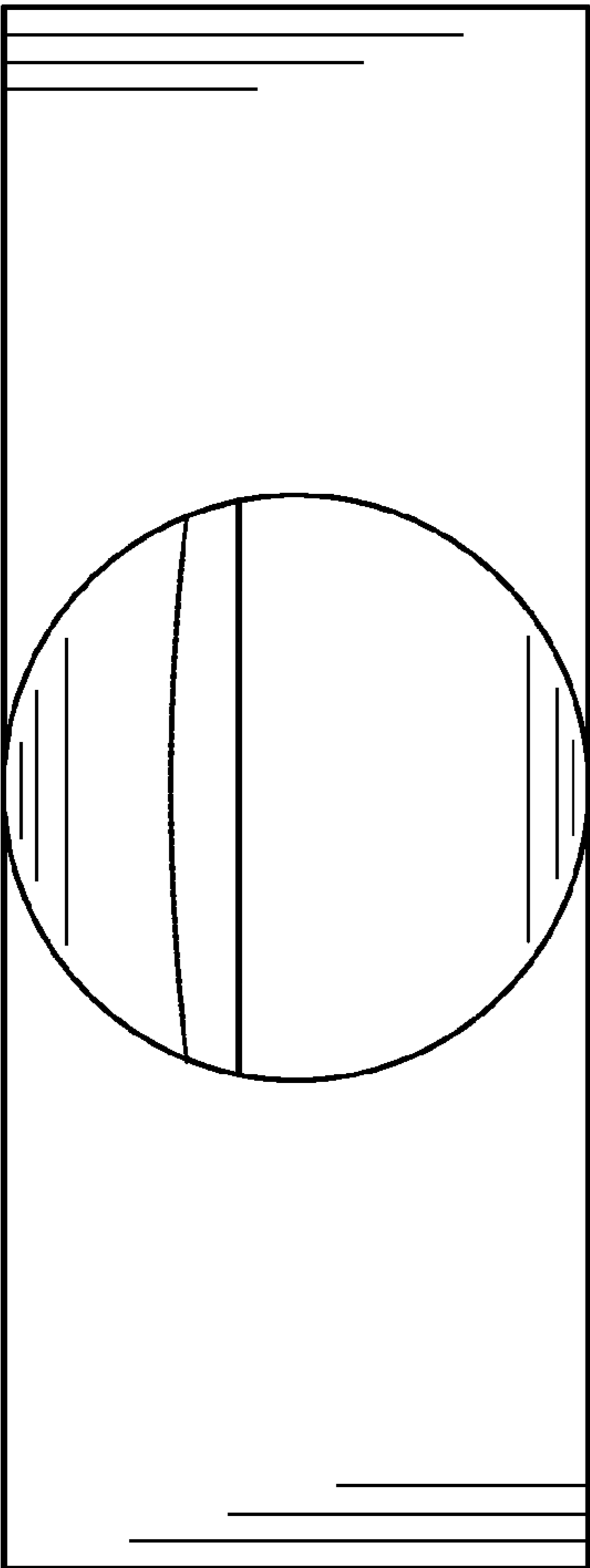


FIG. 2

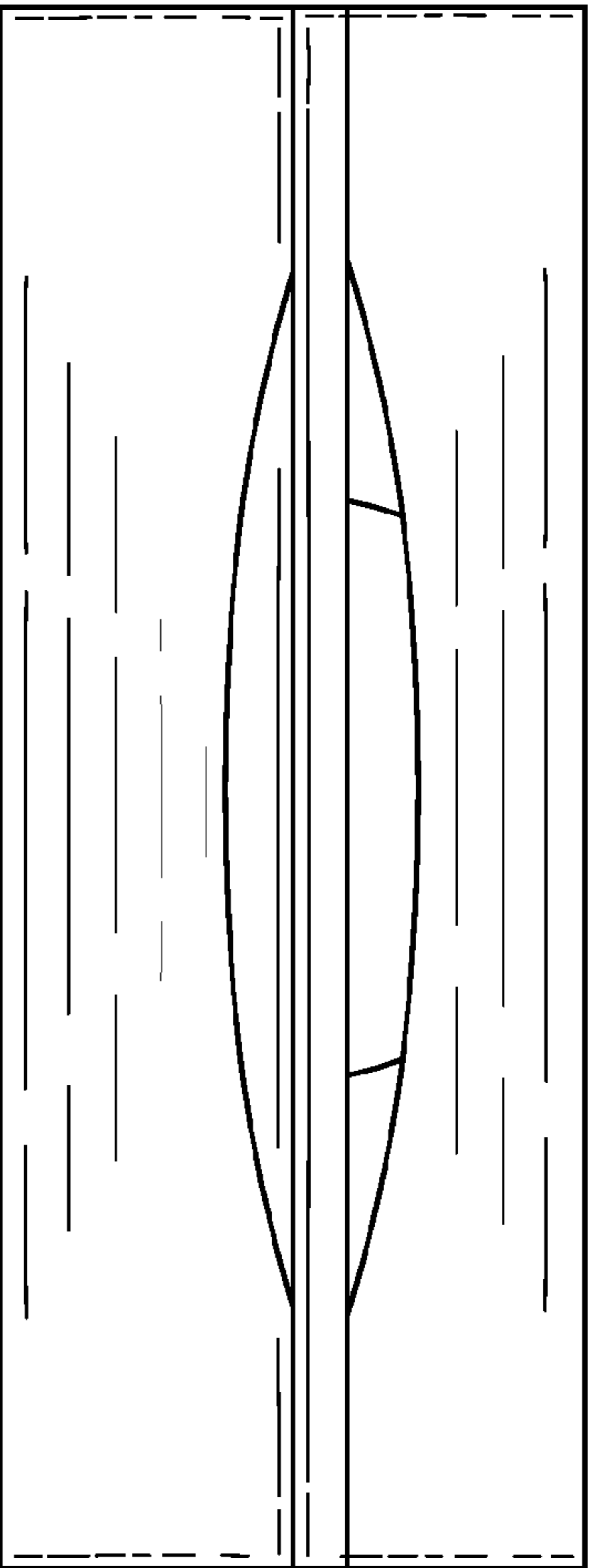


FIG. 3

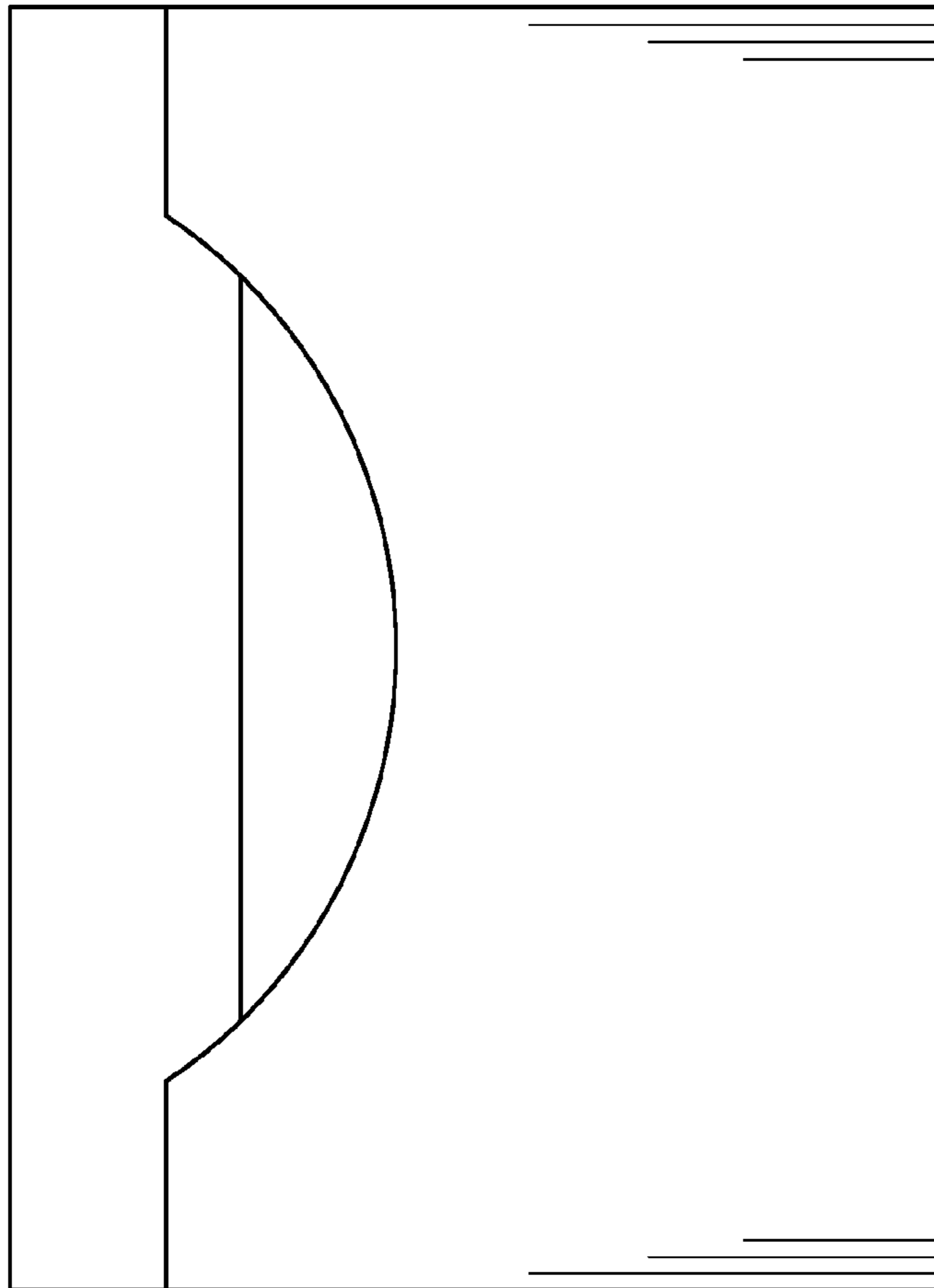


FIG. 4

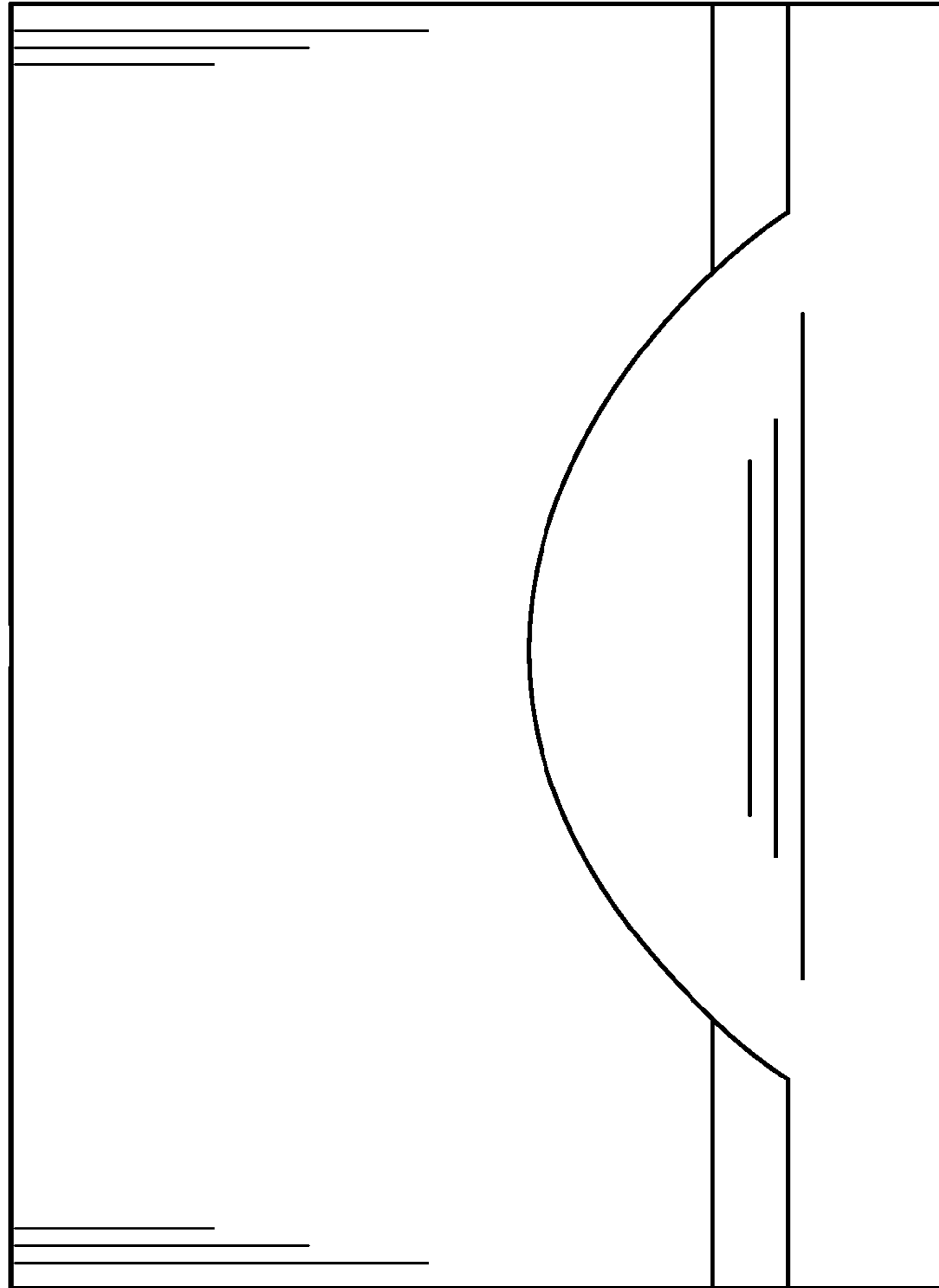


FIG. 5

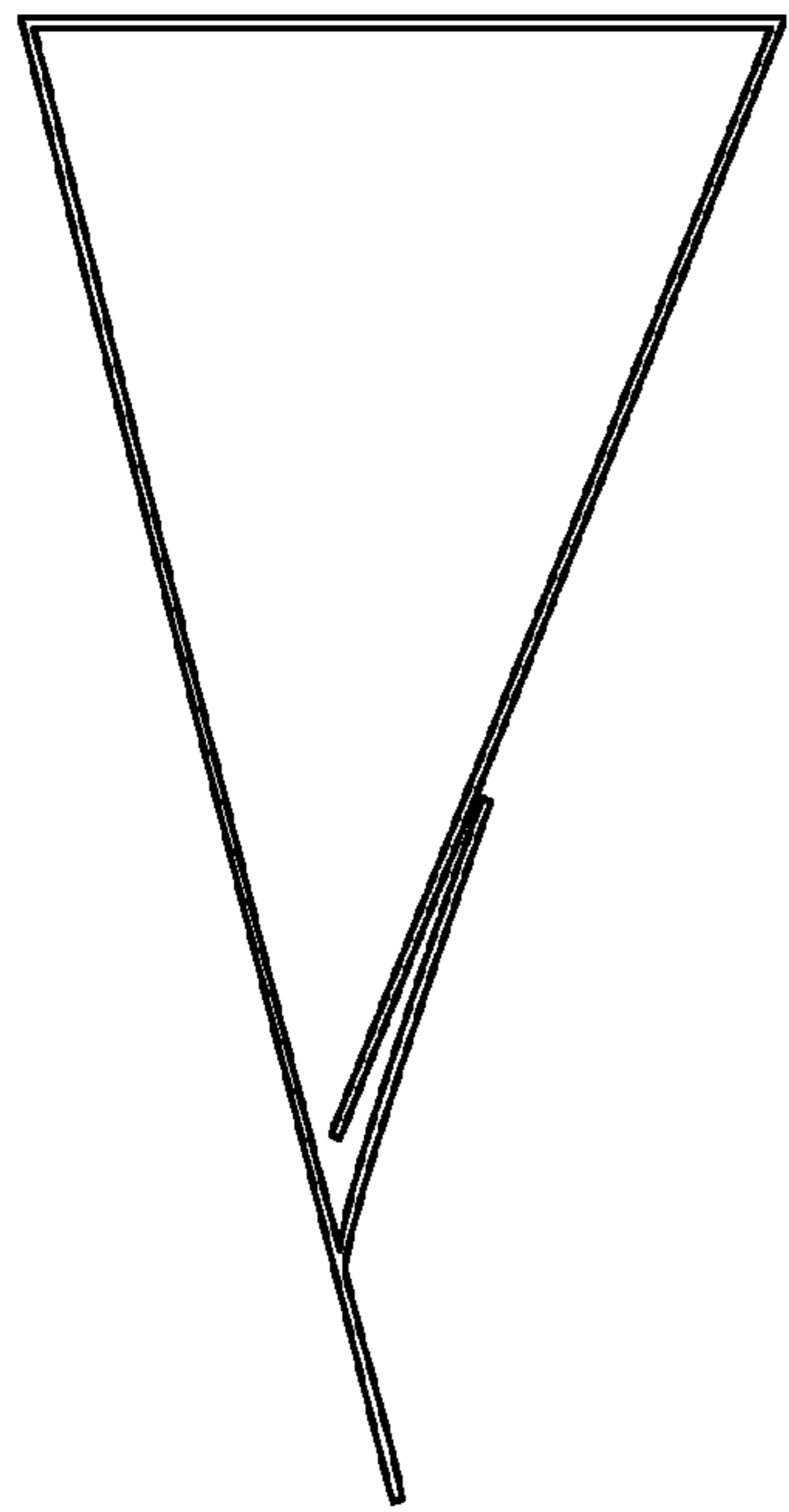


FIG. 6

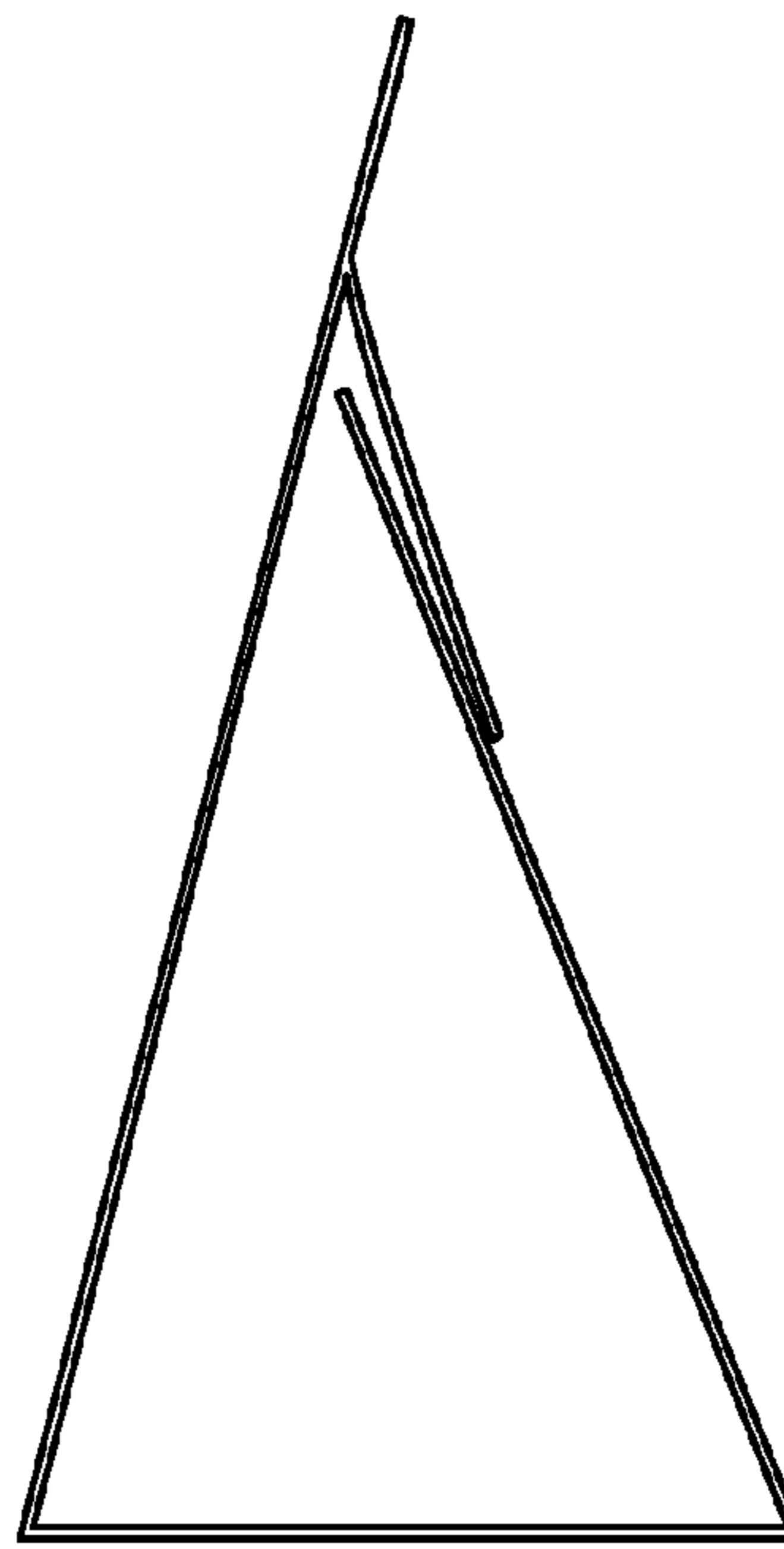


FIG. 7

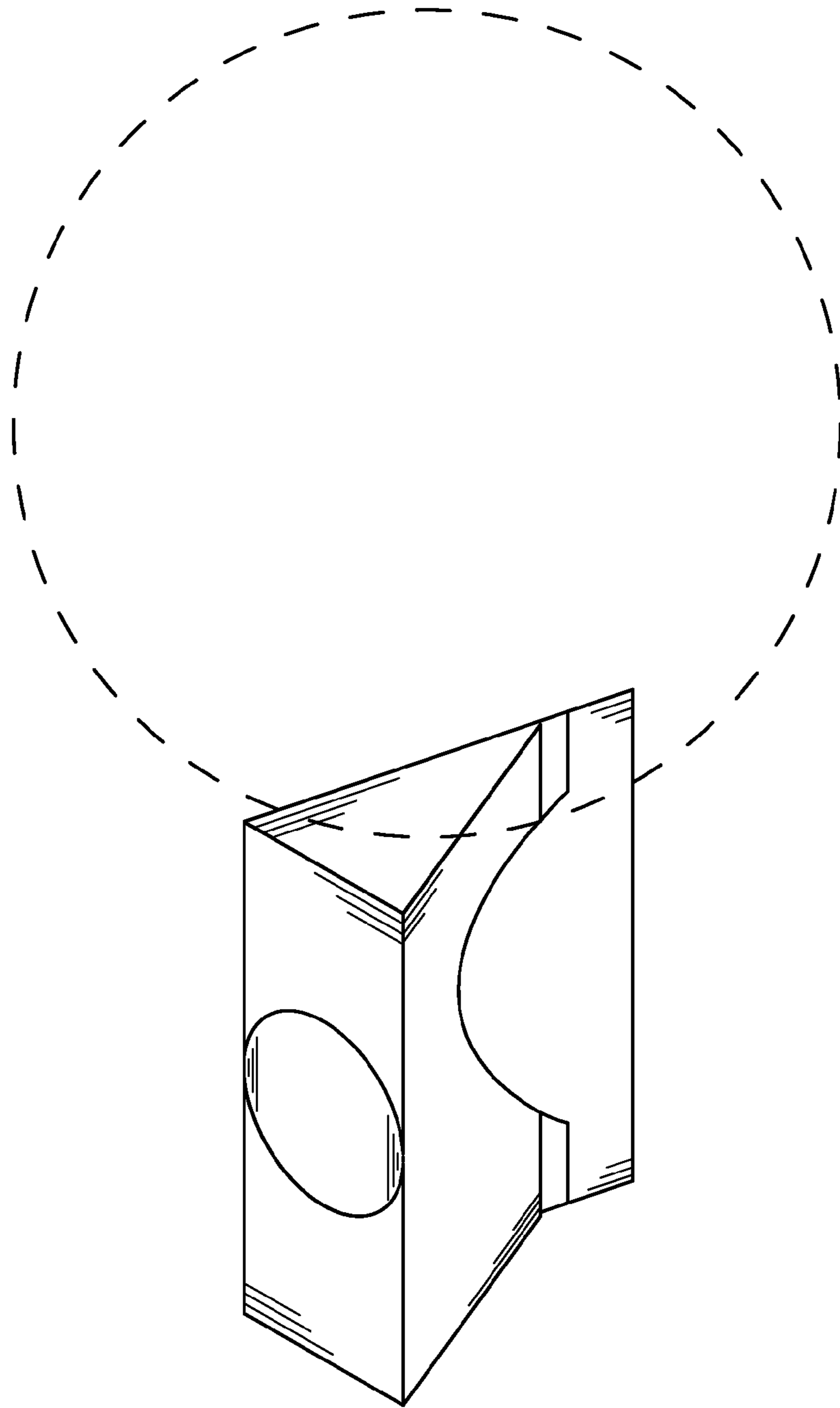


FIG. 8

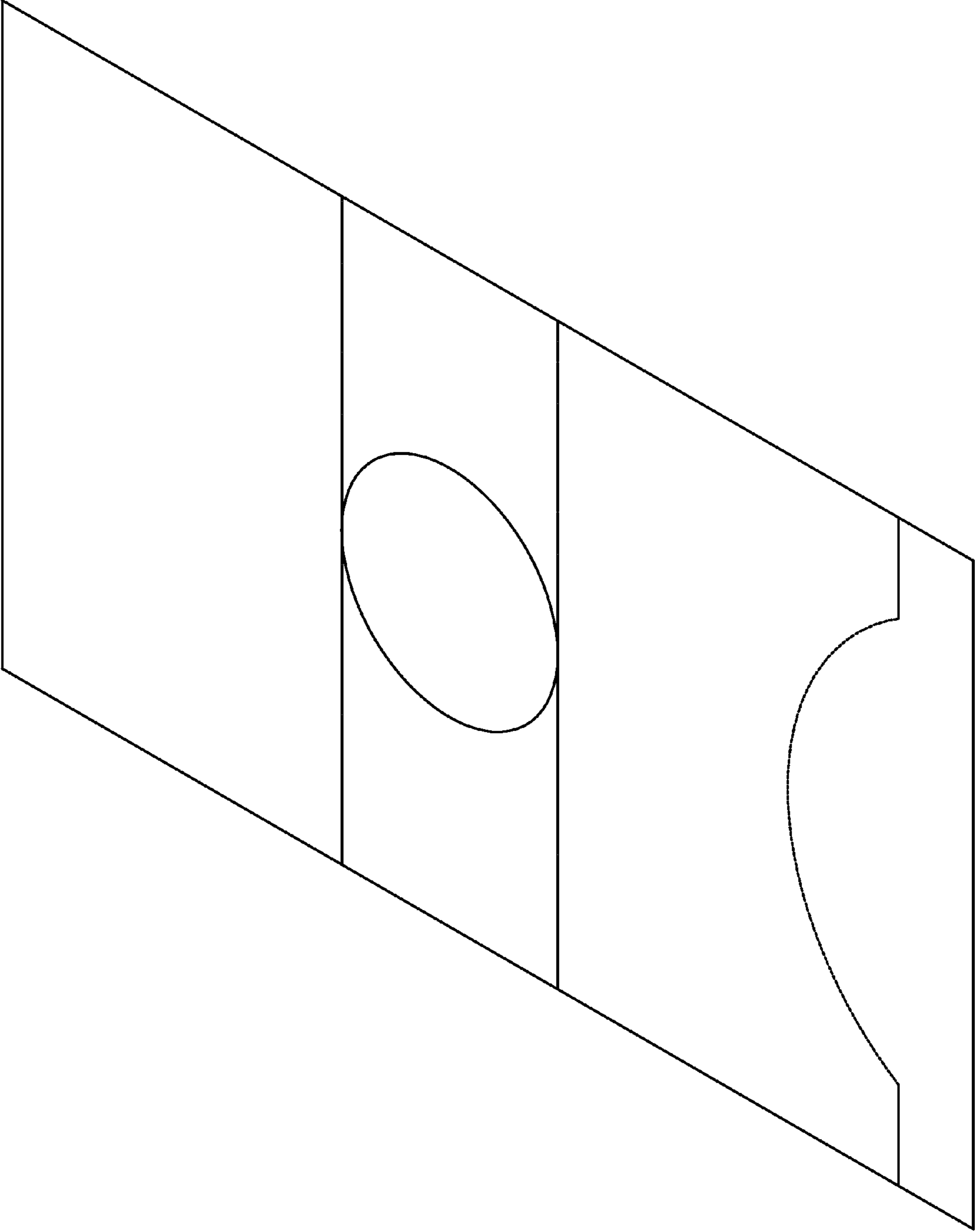


FIG. 9

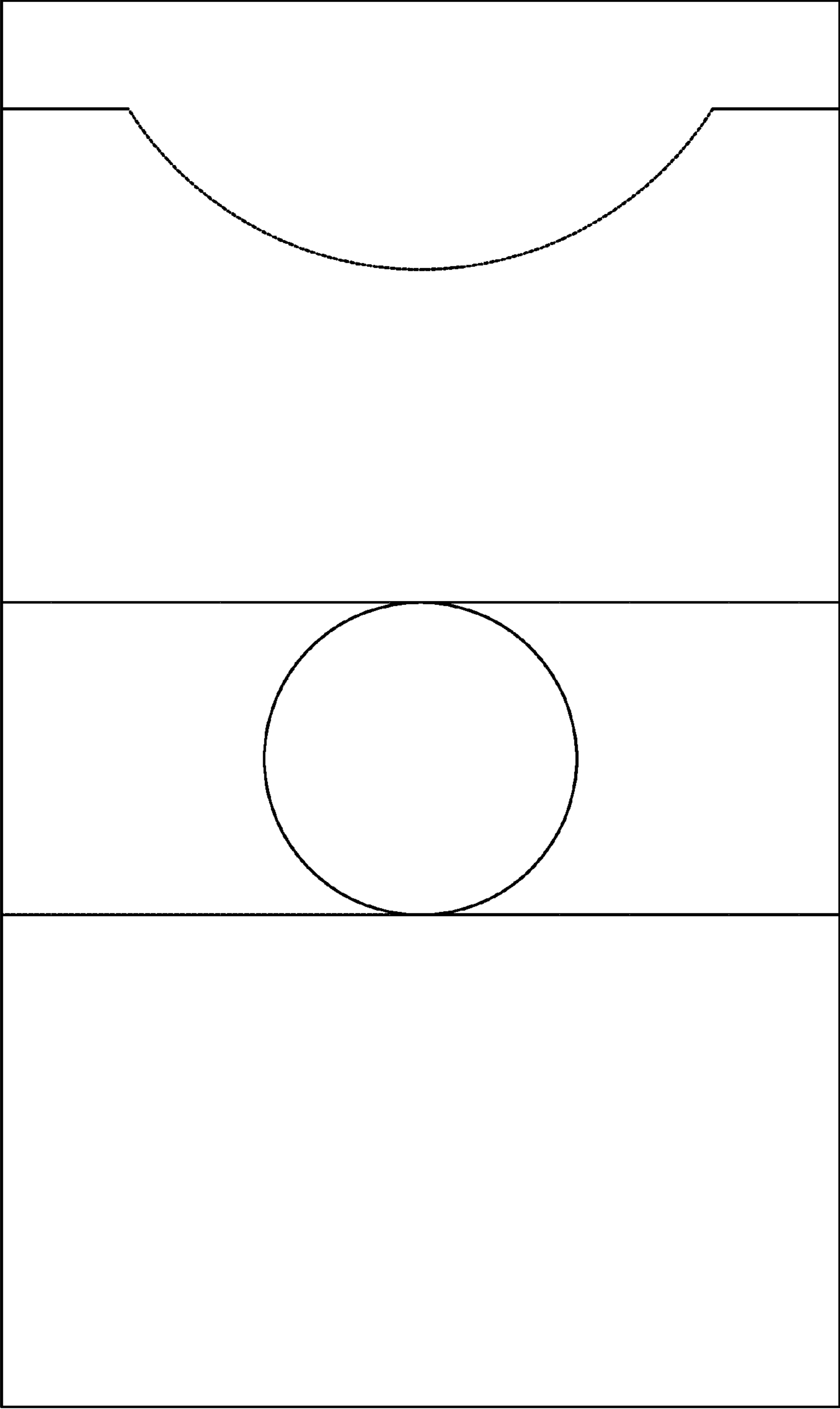


FIG. 10