



US00D651256S

(12) **United States Design Patent**
Garfinkle

(10) **Patent No.:** **US D651,256 S**

(45) **Date of Patent:** **** Dec. 27, 2011**

(54) **TRAY SUPPORTED TAG HOLDER**

(76) **Inventor:** **Benjamin L. Garfinkle**, Piedmont, CA
(US)

(**) **Term:** **14 Years**

(21) **Appl. No.:** **29/391,140**

(22) **Filed:** **May 4, 2011**

(51) **LOC (9) Cl.** **20-02**

(52) **U.S. Cl.** **D20/43**

(58) **Field of Classification Search** D20/10,
D20/19, 43, 44, 99; 40/5, 312, 591, 625,
40/607.14, 642.01, 642.02, 647-649, 651-653,
40/658, 661, 661.03, 661.06, 661.07, 661.11,
40/662, 671; 248/220.31

See application file for complete search history.

(56) **References Cited**

U.S. PATENT DOCUMENTS

370,540	A *	9/1887	Hodge	40/312
370,782	A *	10/1887	Haskell	40/658
D206,783	S *	1/1967	McCormick	D20/43
D225,208	S *	11/1972	Miller	D20/44
4,281,469	A *	8/1981	Feibelman	40/651
4,526,335	A *	7/1985	Garfinkle	248/220.31
D347,449	S *	5/1994	Garfinkle	D20/43

D470,893	S *	2/2003	Valiulis et al.	D20/44
D476,375	S *	6/2003	Zadak et al.	D20/43
D577,387	S *	9/2008	Kurmlavage	D20/43
D595,782	S *	7/2009	Whitfield	D20/43
D616,033	S *	5/2010	Kurmlavage	D20/43
D616,946	S *	6/2010	Garfinkle et al.	D20/43
7,992,333	B1 *	8/2011	Mcguinness et al.	40/591
2002/0029505	A1 *	3/2002	Faneuf	40/658

* cited by examiner

Primary Examiner — Mary Ann Calabrese

(74) *Attorney, Agent, or Firm* — Bay Area Technology Law Group PC

(57) **CLAIM**

The ornamental design for a tray supported tag holder, as shown and described.

DESCRIPTION

FIG. 1 is a perspective view of a tray supported tag holder showing my new design;

FIG. 2 is a left side view of FIG. 1;

FIG. 3 is a right side view of FIG. 1;

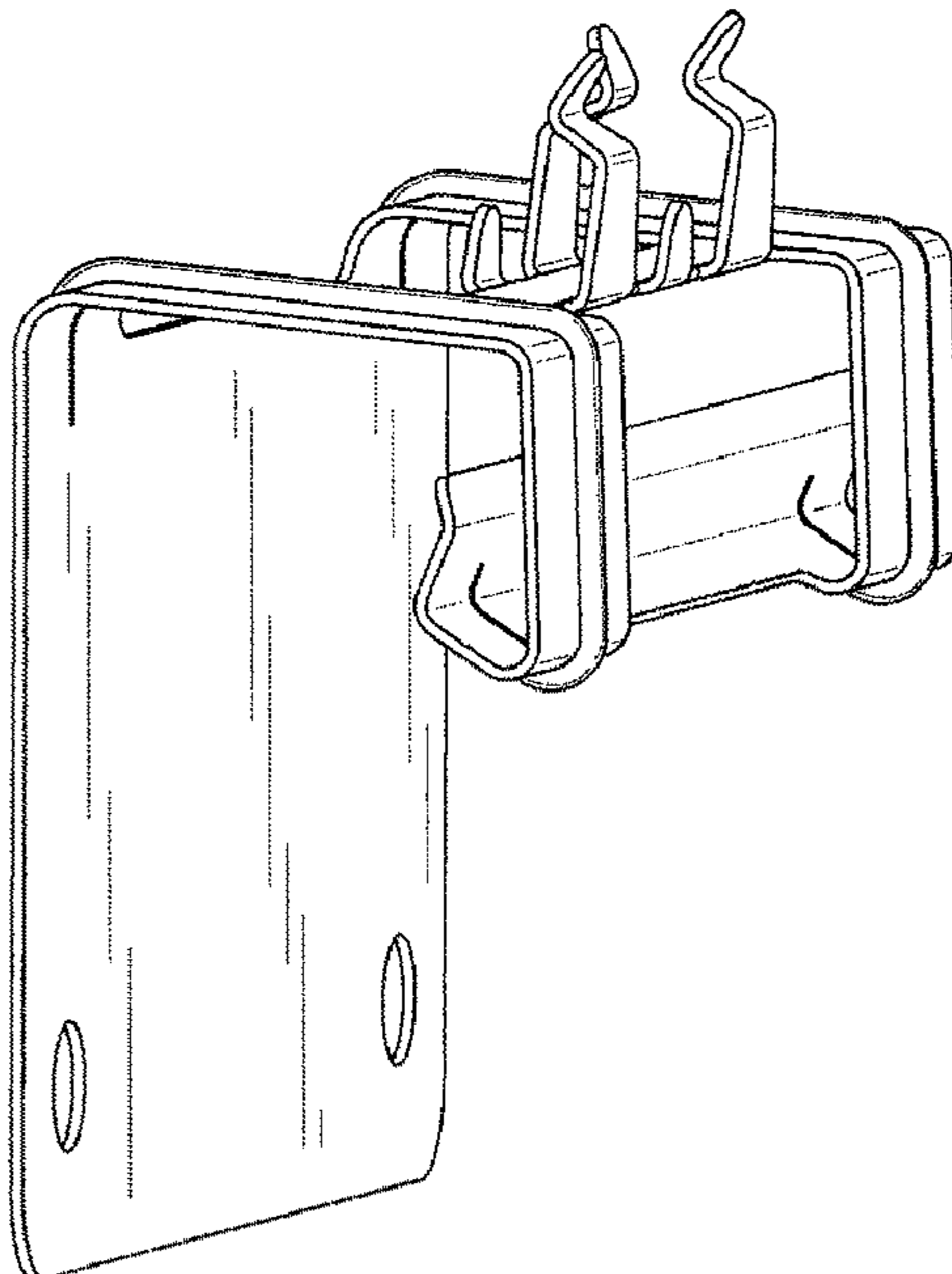
FIG. 4 is a front view of FIG. 1;

FIG. 5 is a rear view of FIG. 1;

FIG. 6 is a top plan view of FIG. 1; and,

FIG. 7 is a bottom plan view of FIG. 1.

1 Claim, 3 Drawing Sheets



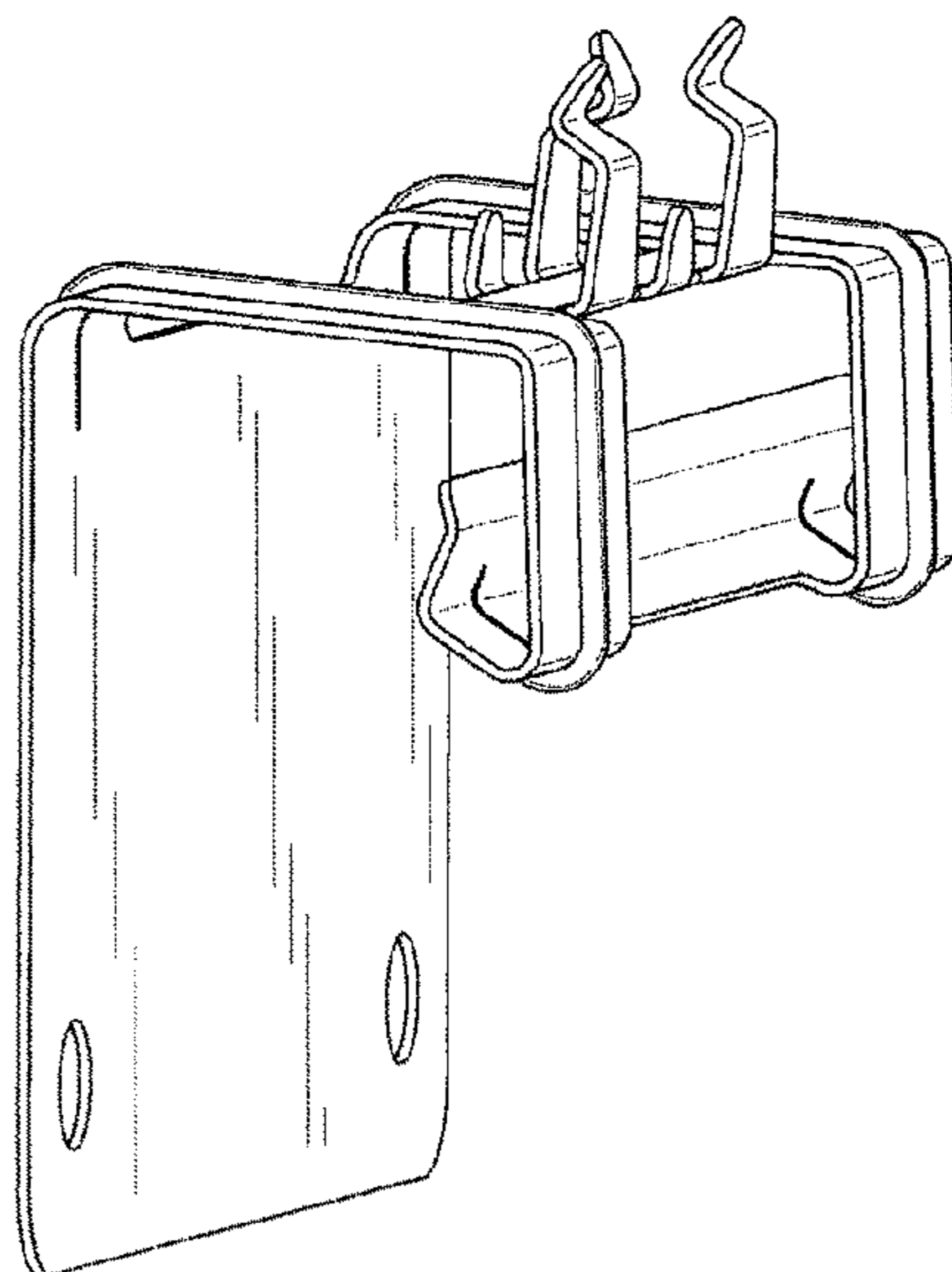


FIG. 1

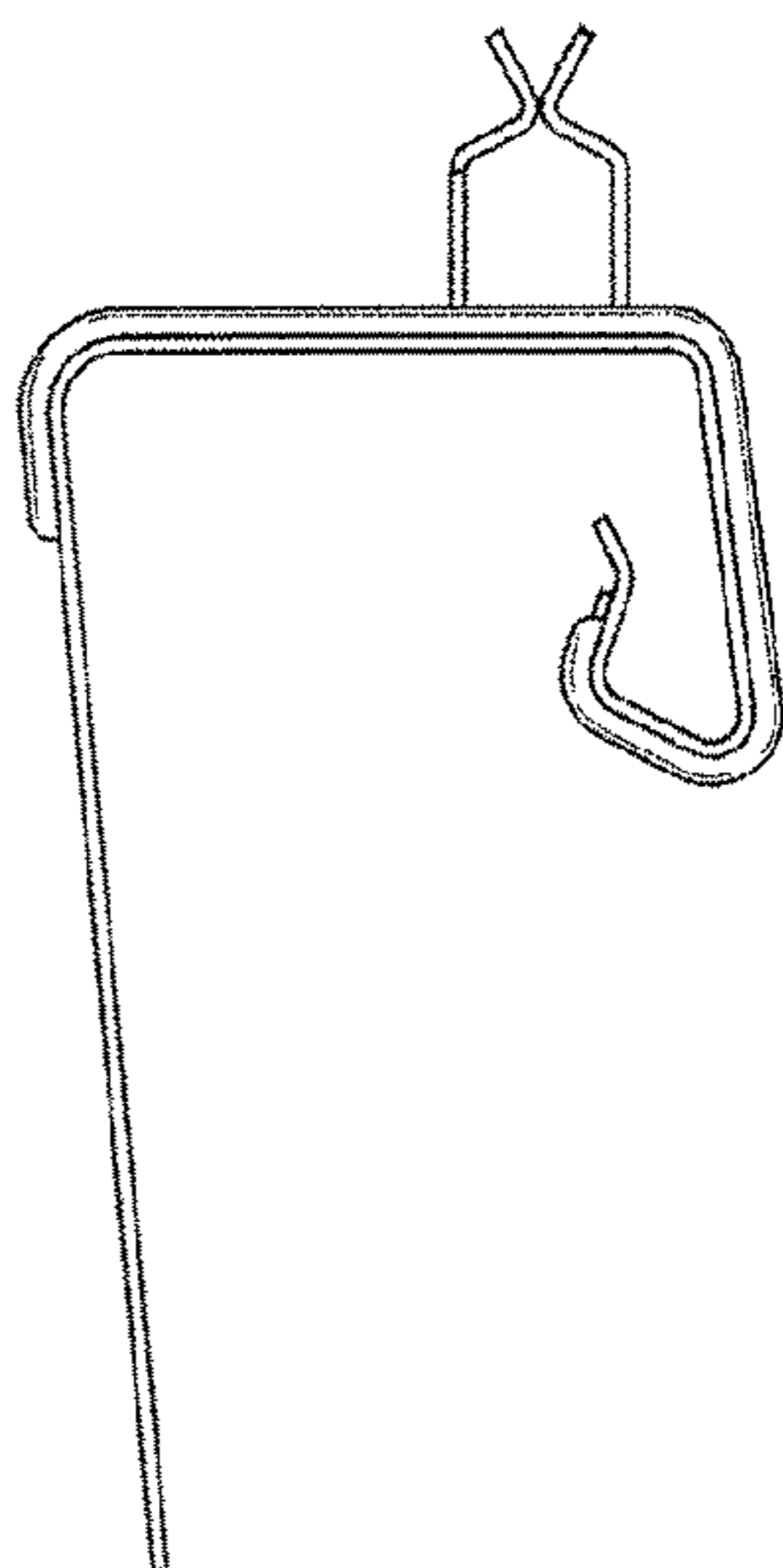


FIG. 2

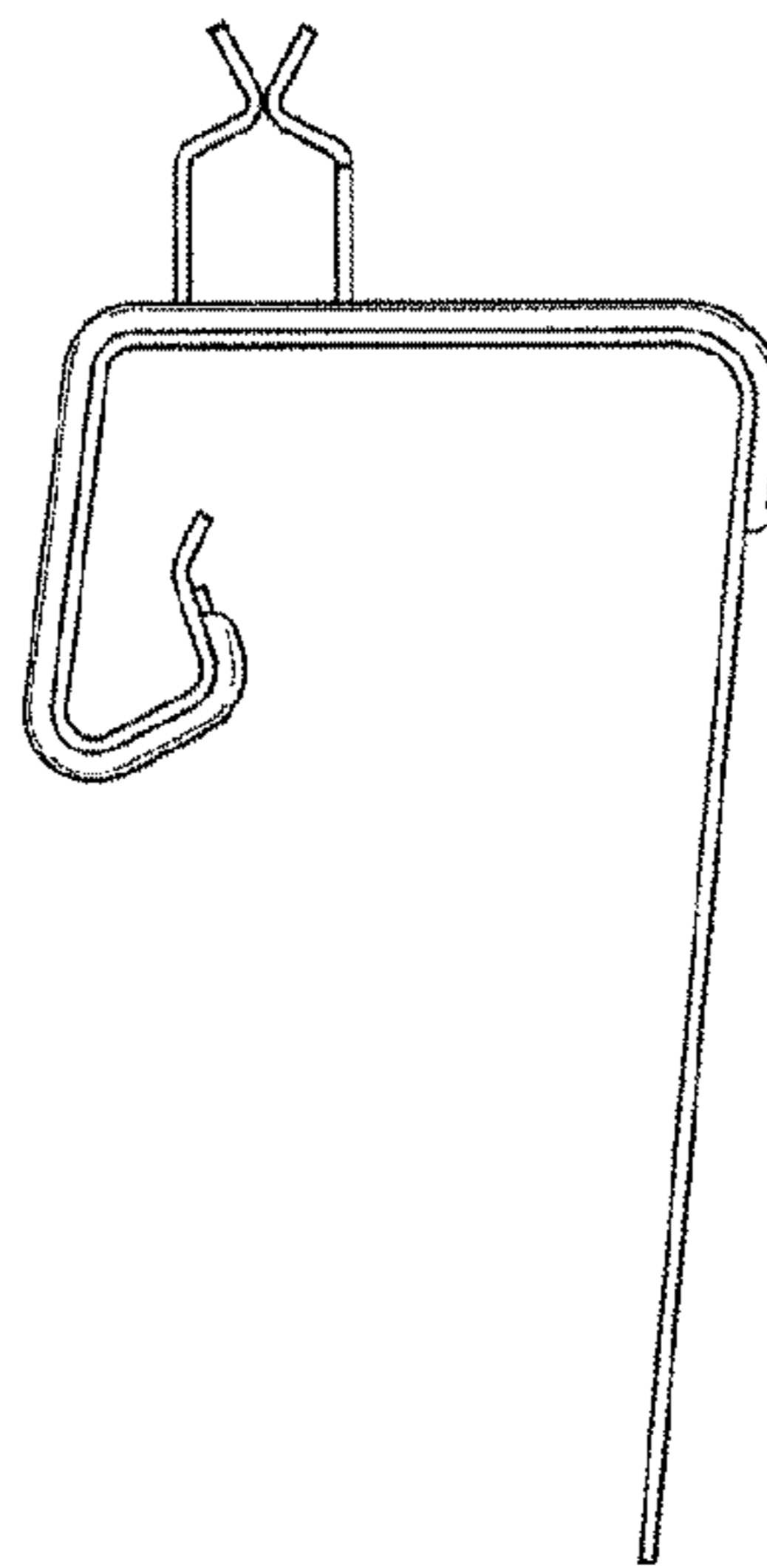


FIG. 3

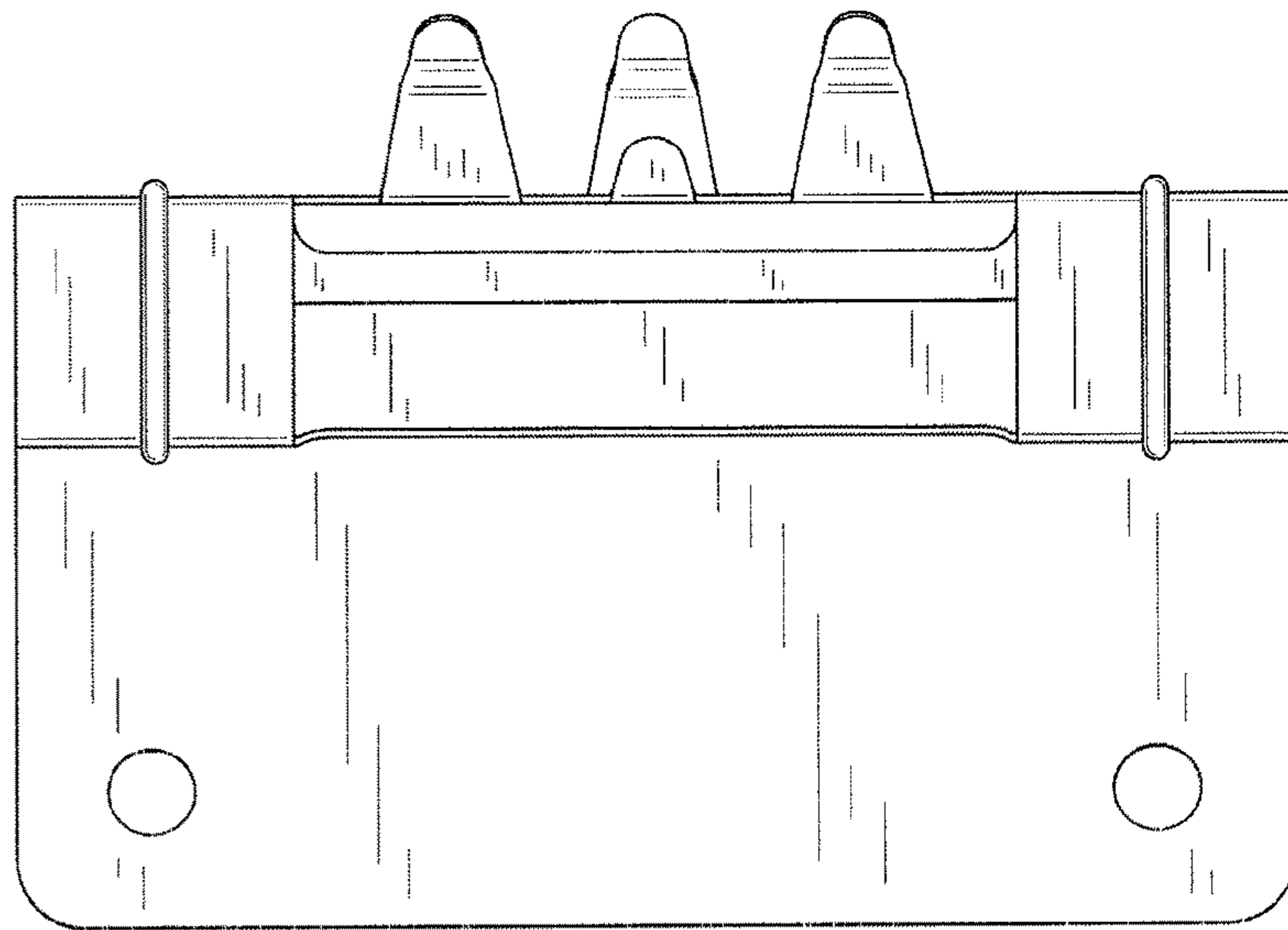


FIG. 4

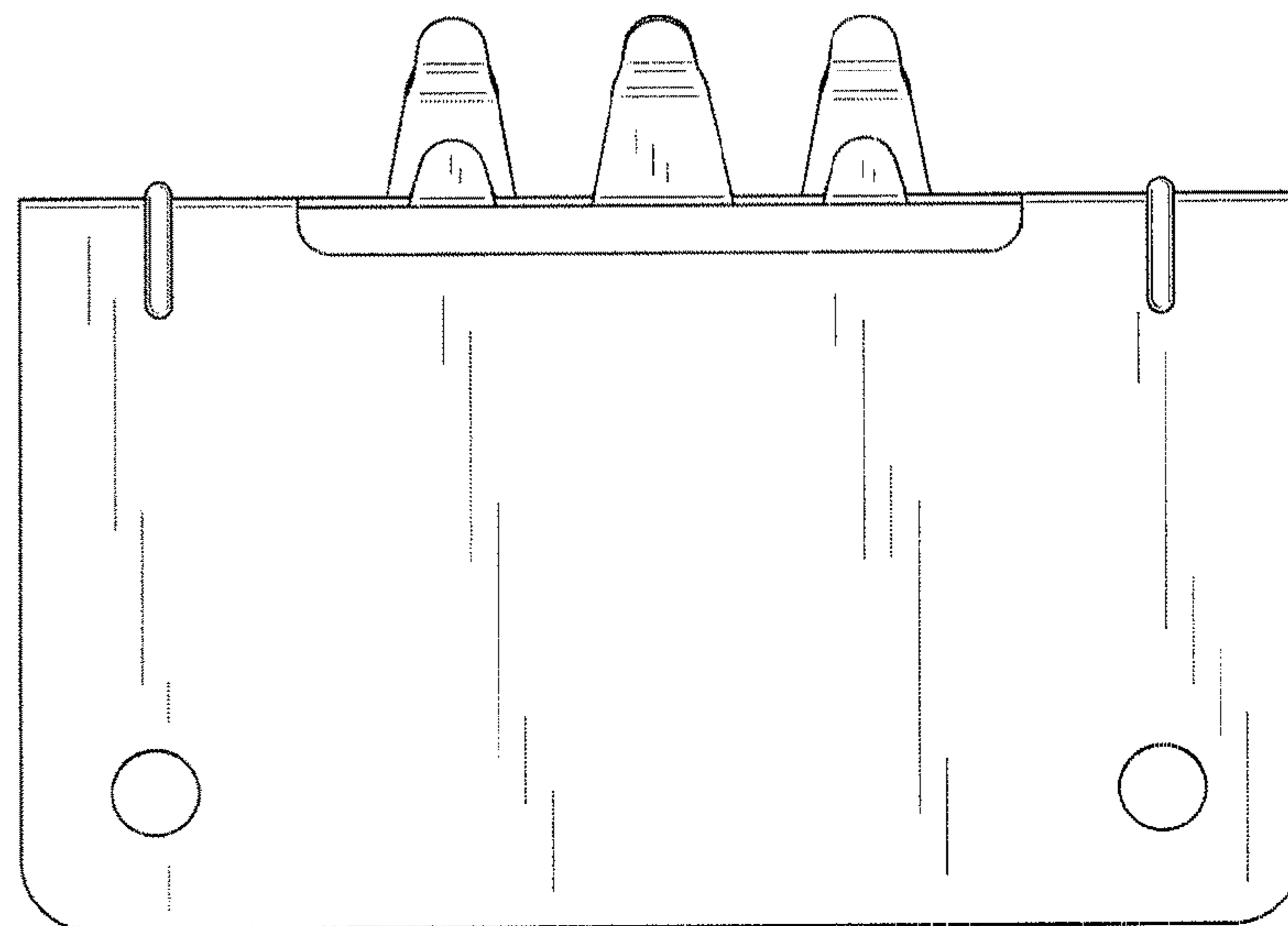


FIG. 5

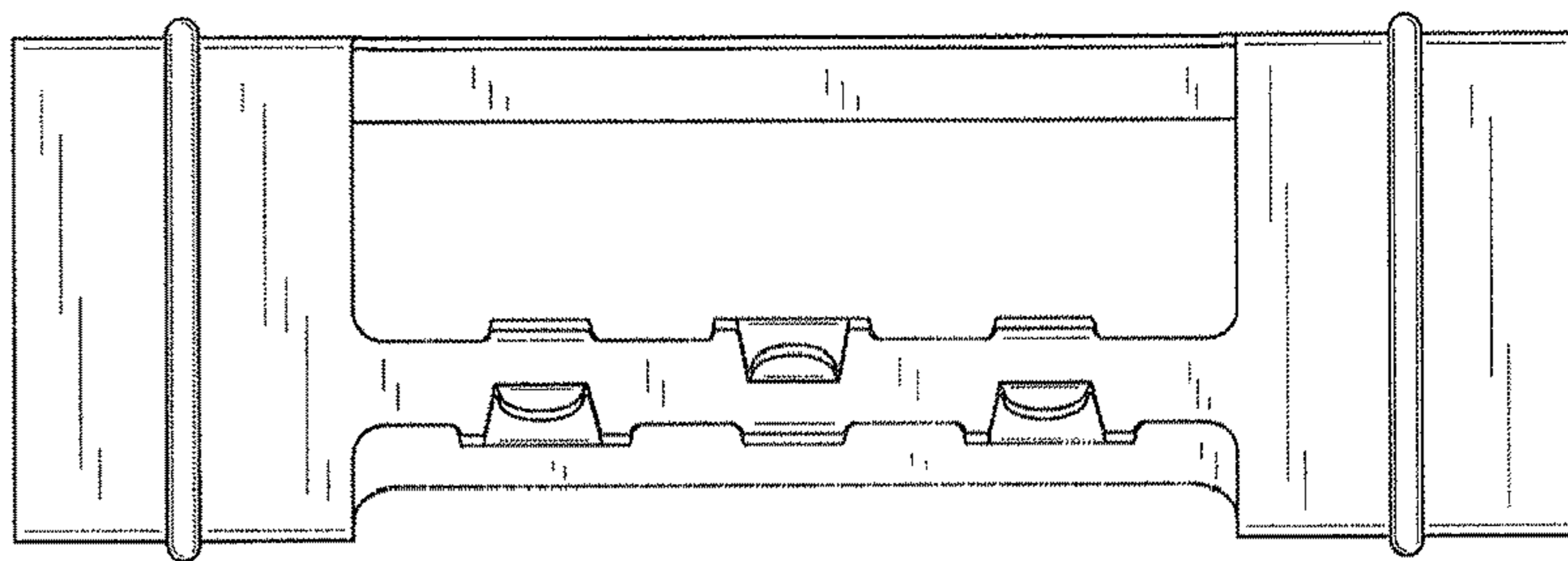


FIG. 6

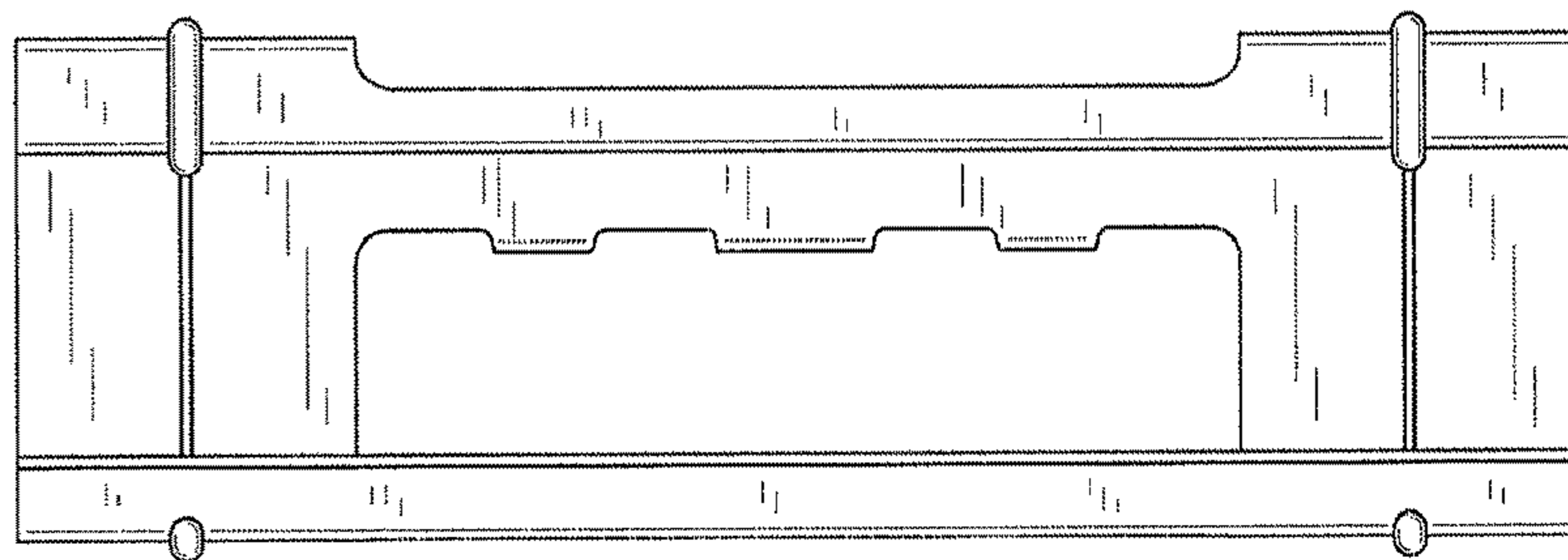


FIG. 7