



US00D651255S

(12) **United States Design Patent**  
**Ingouville**

(10) **Patent No.:** **US D651,255 S**

(45) **Date of Patent:** **\*\* \*Dec. 27, 2011**

(54) **SIGN POST**

(56) **References Cited**

(76) Inventor: **Alan Ingouville**, Miami Beach, FL (US)

U.S. PATENT DOCUMENTS

(\*) Notice: This patent is subject to a terminal disclaimer.

|                |         |               |       |        |
|----------------|---------|---------------|-------|--------|
| D336,112 S *   | 6/1993  | Miyake et al. | ..... | D20/41 |
| D389,524 S *   | 1/1998  | Grange        | ..... | D20/41 |
| D413,934 S *   | 9/1999  | Kleihues      | ..... | D20/41 |
| D431,838 S *   | 10/2000 | Ragot         | ..... | D20/10 |
| D436,135 S *   | 1/2001  | Emert         | ..... | D20/10 |
| 6,263,601 B1 * | 7/2001  | Emert         | ..... | 40/564 |
| D598,054 S *   | 8/2009  | Grimshaw      | ..... | D20/41 |

(\*\*) Term: **14 Years**

\* cited by examiner

(21) Appl. No.: **29/381,070**

*Primary Examiner* — Mary Ann Calabrese

(74) *Attorney, Agent, or Firm* — Ruben Alcoba, Esq

(22) Filed: **Dec. 15, 2010**

(57) **CLAIM**

I claim the ornamental design for the sign post, as shown and described.

(51) **LOC (9) Cl.** ..... **20-02**

**DESCRIPTION**

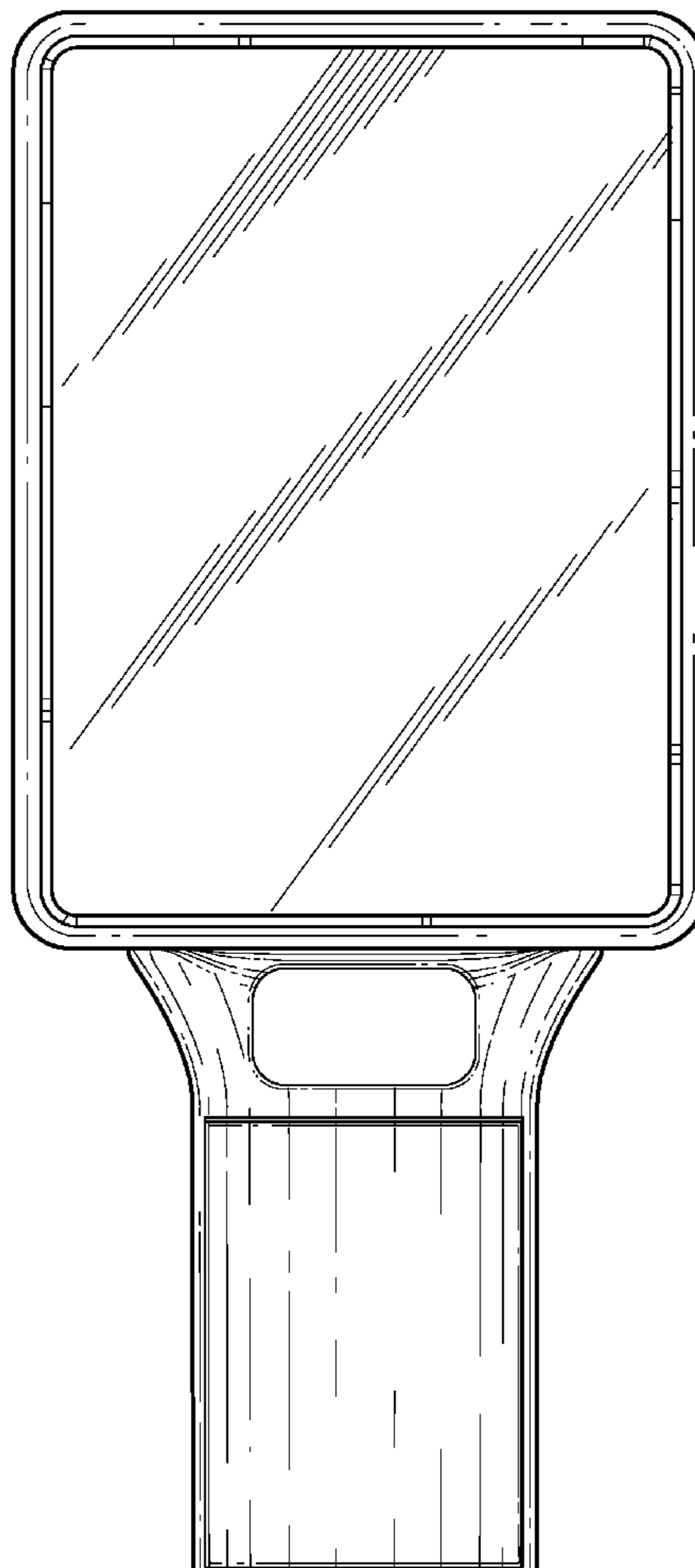
(52) **U.S. Cl.** ..... **D20/41**

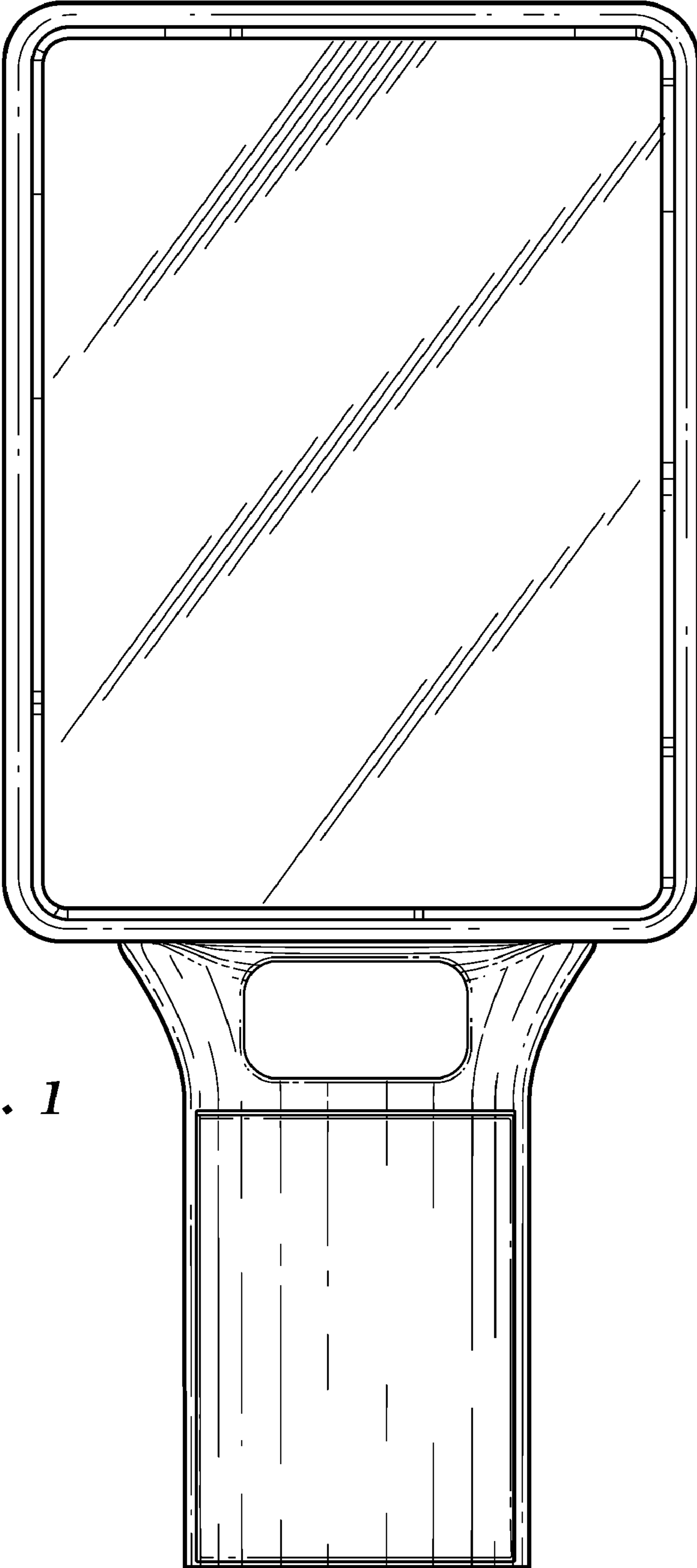
(58) **Field of Classification Search** ..... D20/10,  
D20/19, 21, 39-43, 99; 40/446, 538, 541,  
40/654, 584, 606.01, 606.03, 606.13-606.16,  
40/606.18, 607.01, 607.1, 608; D10/104,  
D10/109; 362/812

FIG. 1 is a Front Elevation View of a sign post;  
FIG. 2 is a Rear Elevation View of the sign post;  
FIG. 3 is a Right Elevation Side View of the sign post, the Left  
Side is a mirror image thereof;  
FIG. 4 is a Top Plan View of the sign post; and,  
FIG. 5 is a Bottom Plan View of the sign post.

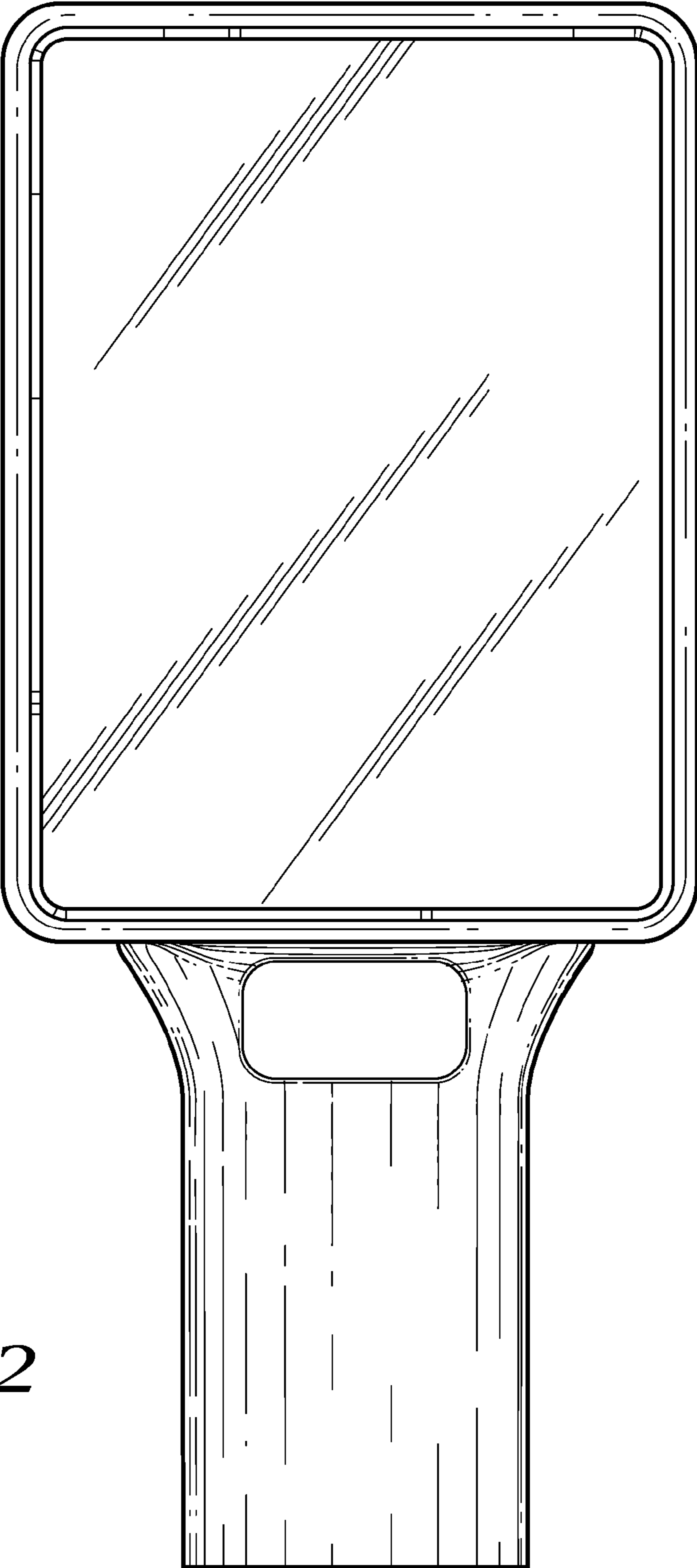
See application file for complete search history.

**1 Claim, 3 Drawing Sheets**

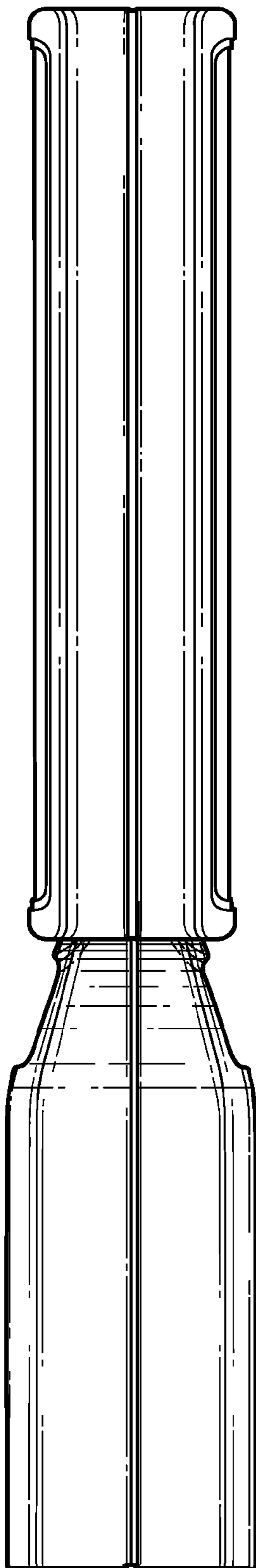




*Fig. 1*

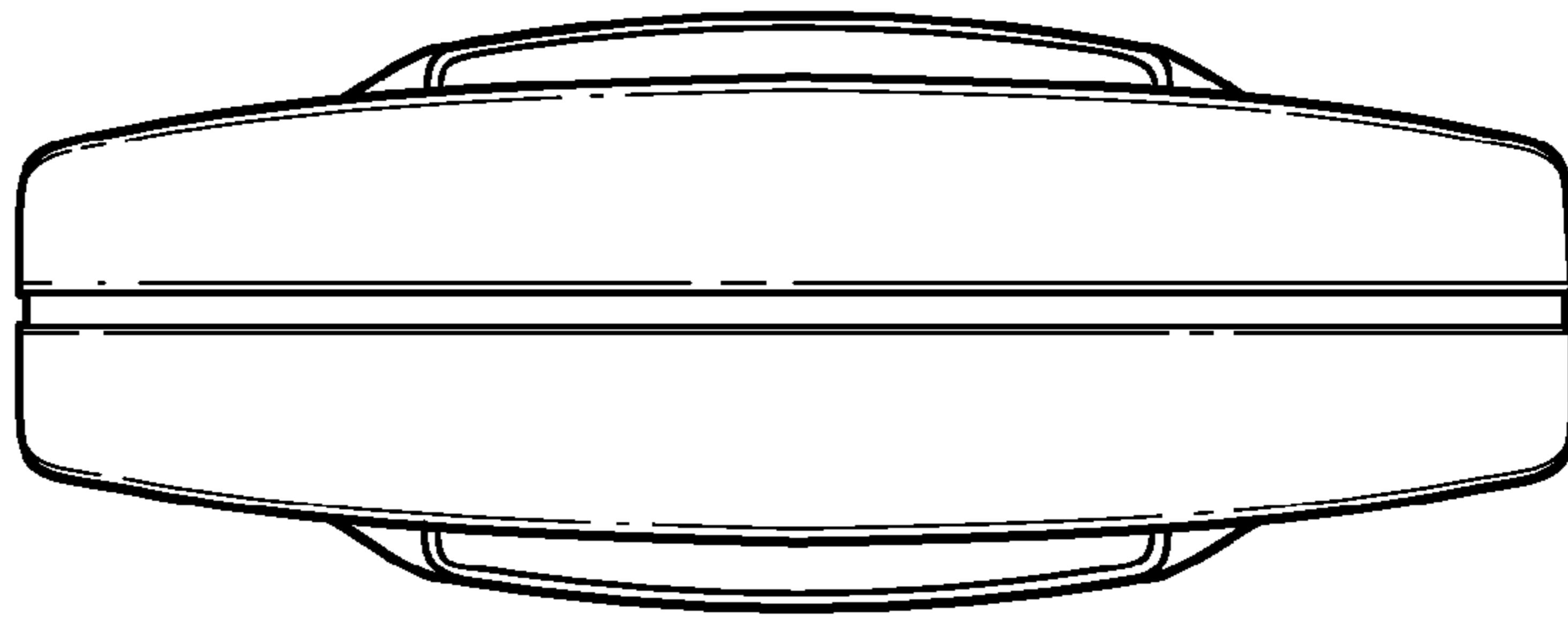


*Fig. 2*



*Fig. 3*

*Fig. 4*



*Fig. 5*

