



US00D651250S

(12) **United States Design Patent**  
**Gross et al.**

(10) **Patent No.:** **US D651,250 S**  
(45) **Date of Patent:** **\*\* Dec. 27, 2011**

(54) **BED DISPLAY**

(75) Inventors: **Andrew Gross**, Wilmette, IL (US);  
**Brett A. Woodley**, Wilmette, IL (US);  
**Jerry Barone**, Chicago, IL (US);  
**Matthew R. Whitmer**, Algonquin, IL  
(US); **Robin Brower**, Elmhurst, IL (US)

(73) Assignee: **Serta, Inc.**, Hoffman Estates, IL (US)

(\*\*) Term: **14 Years**

(21) Appl. No.: **29/383,791**

(22) Filed: **Jan. 21, 2011**

(51) **LOC (9) Cl.** ..... **20-02**

(52) **U.S. Cl.** ..... **D20/10**

(58) **Field of Classification Search** ..... D20/10,  
D20/13-15, 18, 19, 29, 39-42, 99; 40/446,  
40/452, 538, 541, 542, 545-548, 563, 564,  
40/568, 570-574, 582, 584, 594, 600, 605,  
40/615, 617, 618, 624; D6/300; D10/106.1,  
D10/109.2; 362/812

See application file for complete search history.

(56) **References Cited**

**U.S. PATENT DOCUMENTS**

D116,680 S \* 9/1939 Joyce et al. .... D20/19  
D116,689 S \* 9/1939 Joyce et al. .... D20/19

D116,693 S \* 9/1939 Joyce et al. .... D20/19  
D116,694 S \* 9/1939 Joyce et al. .... D20/19  
D118,398 S \* 1/1940 Wheary ..... D12/115  
D144,886 S \* 6/1946 Bair ..... D20/39  
D455,273 S \* 4/2002 Harwanko ..... D6/300  
D562,407 S \* 2/2008 Graziani ..... D20/41  
2011/0005111 A1\* 1/2011 Erskine ..... 40/594

\* cited by examiner

*Primary Examiner* — Mary Ann Calabrese

(74) *Attorney, Agent, or Firm* — Quarles & Brady LLP; May  
M. Mowzoon

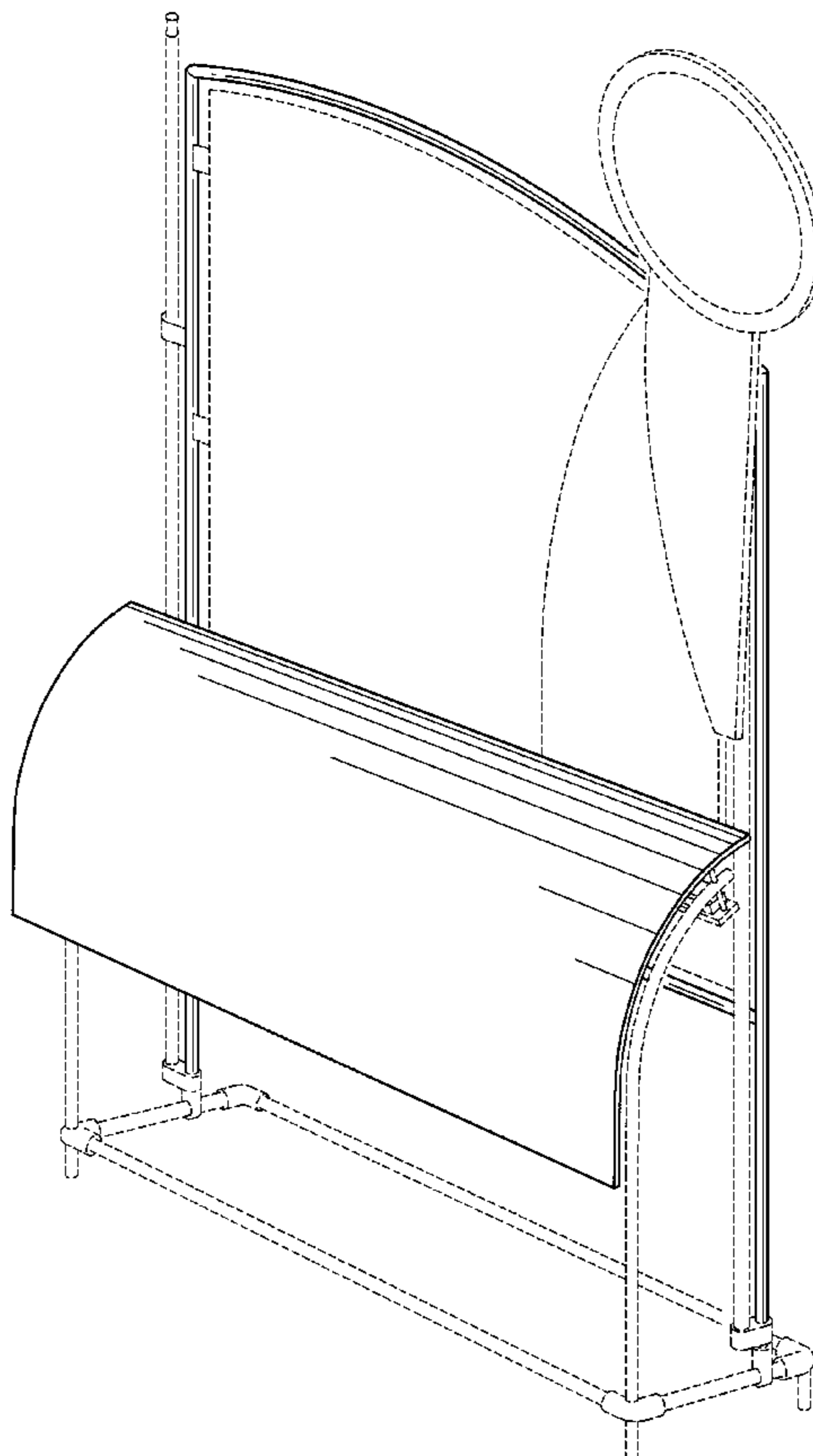
(57) **CLAIM**

The ornamental design for a bed display, as shown and  
described.

**DESCRIPTION**

FIG. 1 is a front, top perspective view of a first embodiment of  
a bed display showing our new design;  
FIG. 2 is a front view thereof;  
FIG. 3 is a right, side view thereof;  
FIG. 4 is a left, side view thereof;  
FIG. 5 is a top view thereof; and,  
FIG. 6 is another embodiment of FIG. 1, shown in a front, top  
perspective view, the only difference being a mattress and  
corresponding mattress foundation in dashed lines.  
The broken lines are environmental and form no part of the  
claimed design.

**1 Claim, 5 Drawing Sheets**



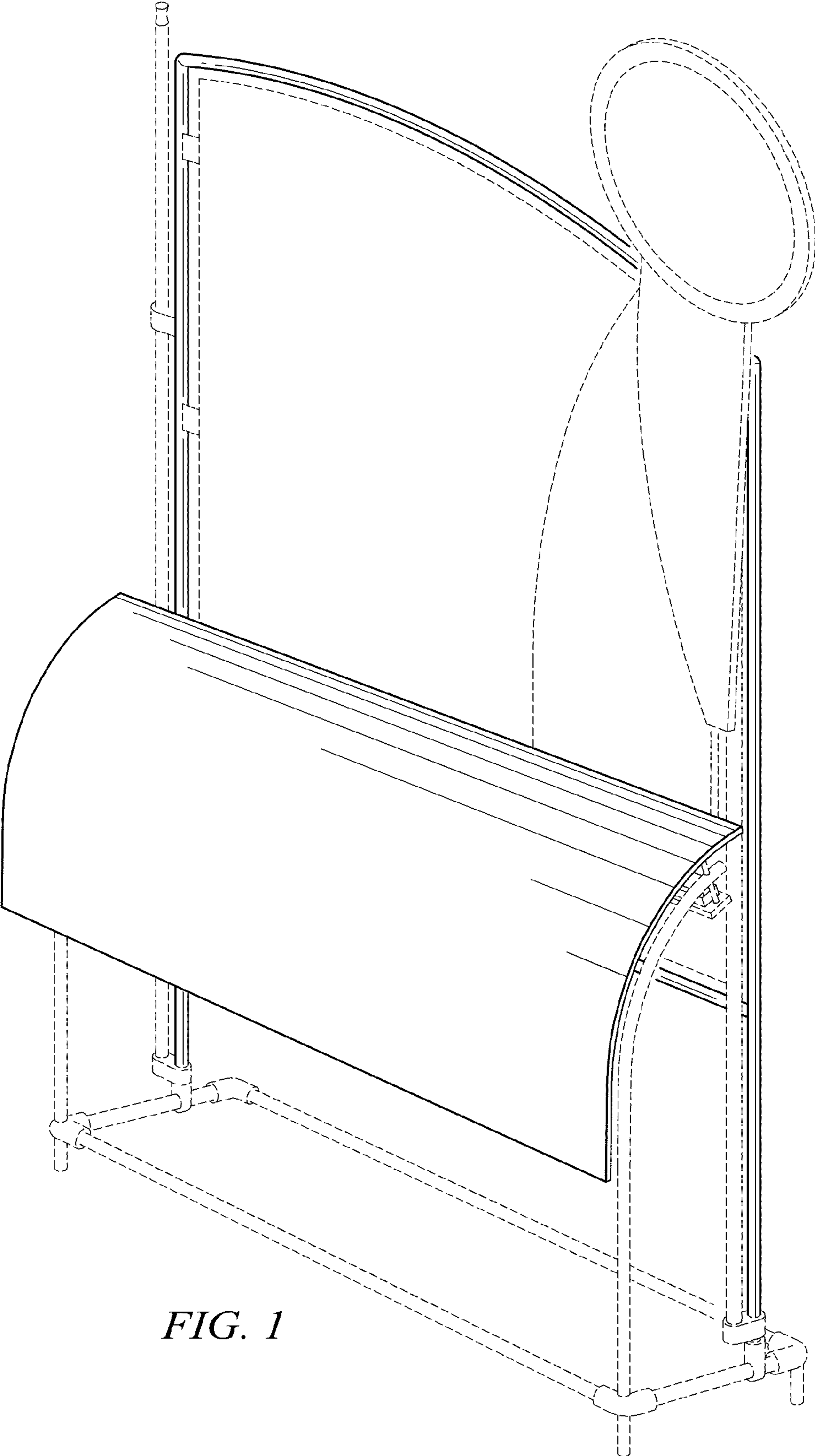


FIG. 1

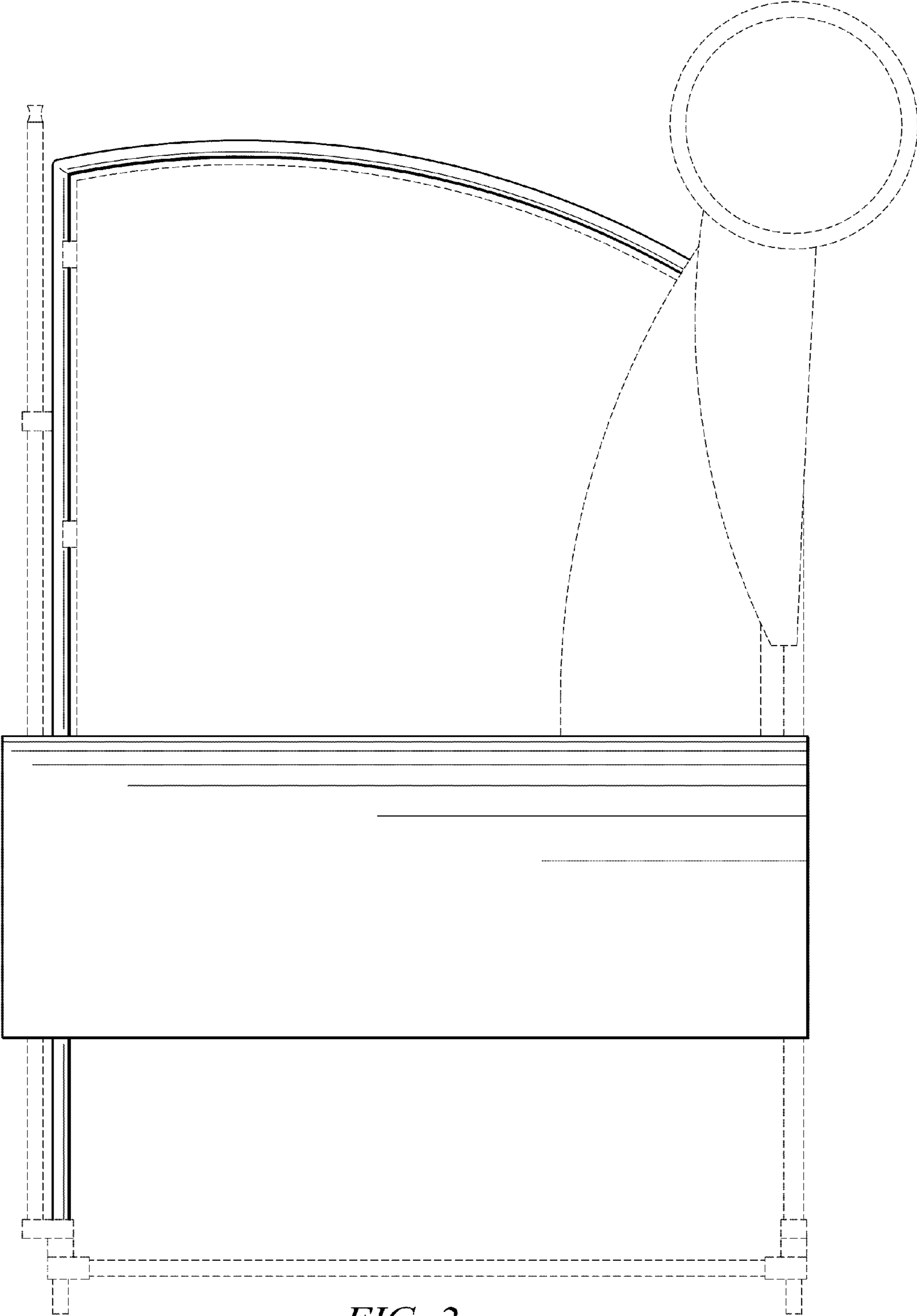


FIG. 2

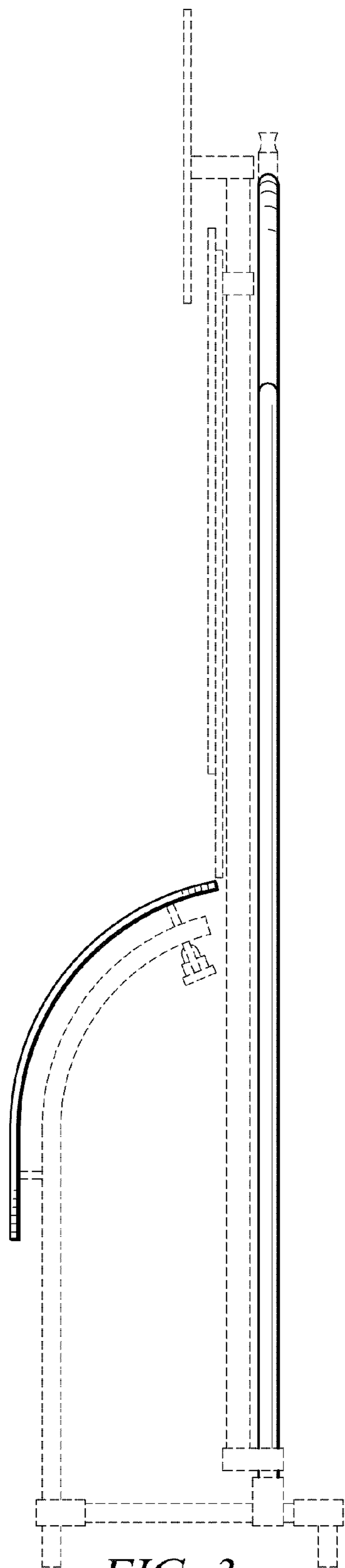


FIG. 3

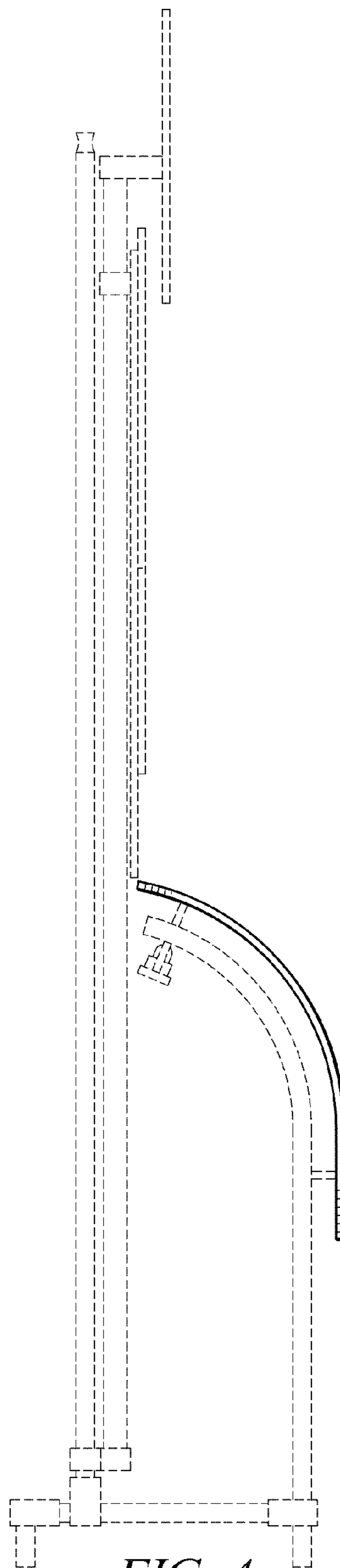
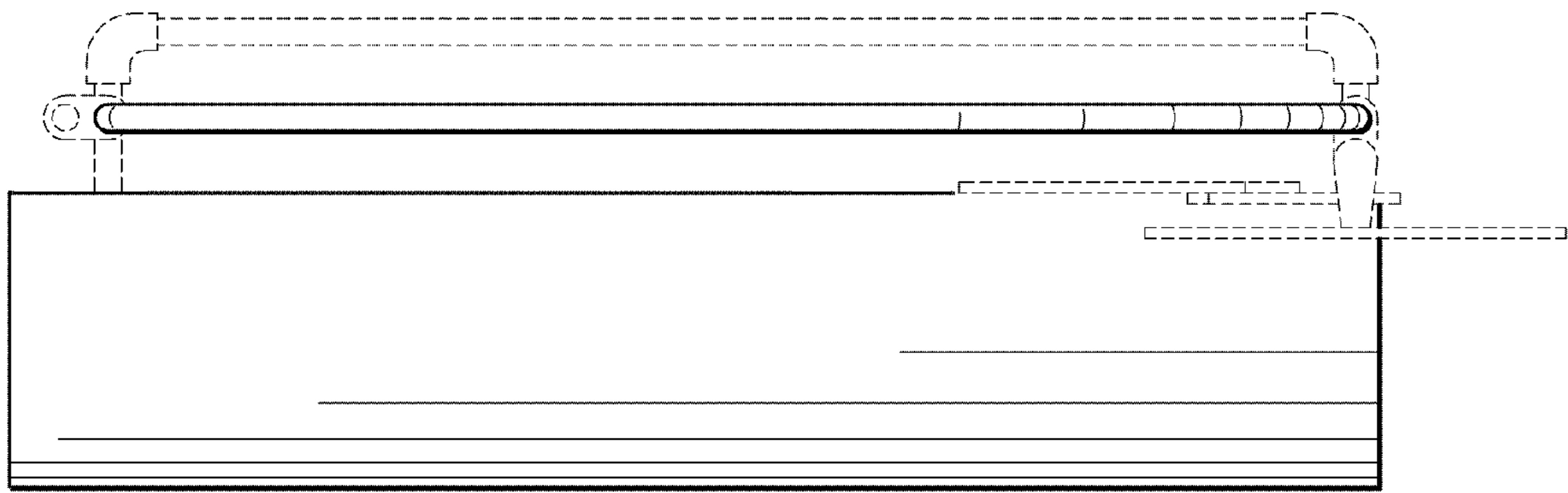


FIG. 4



*FIG. 5*

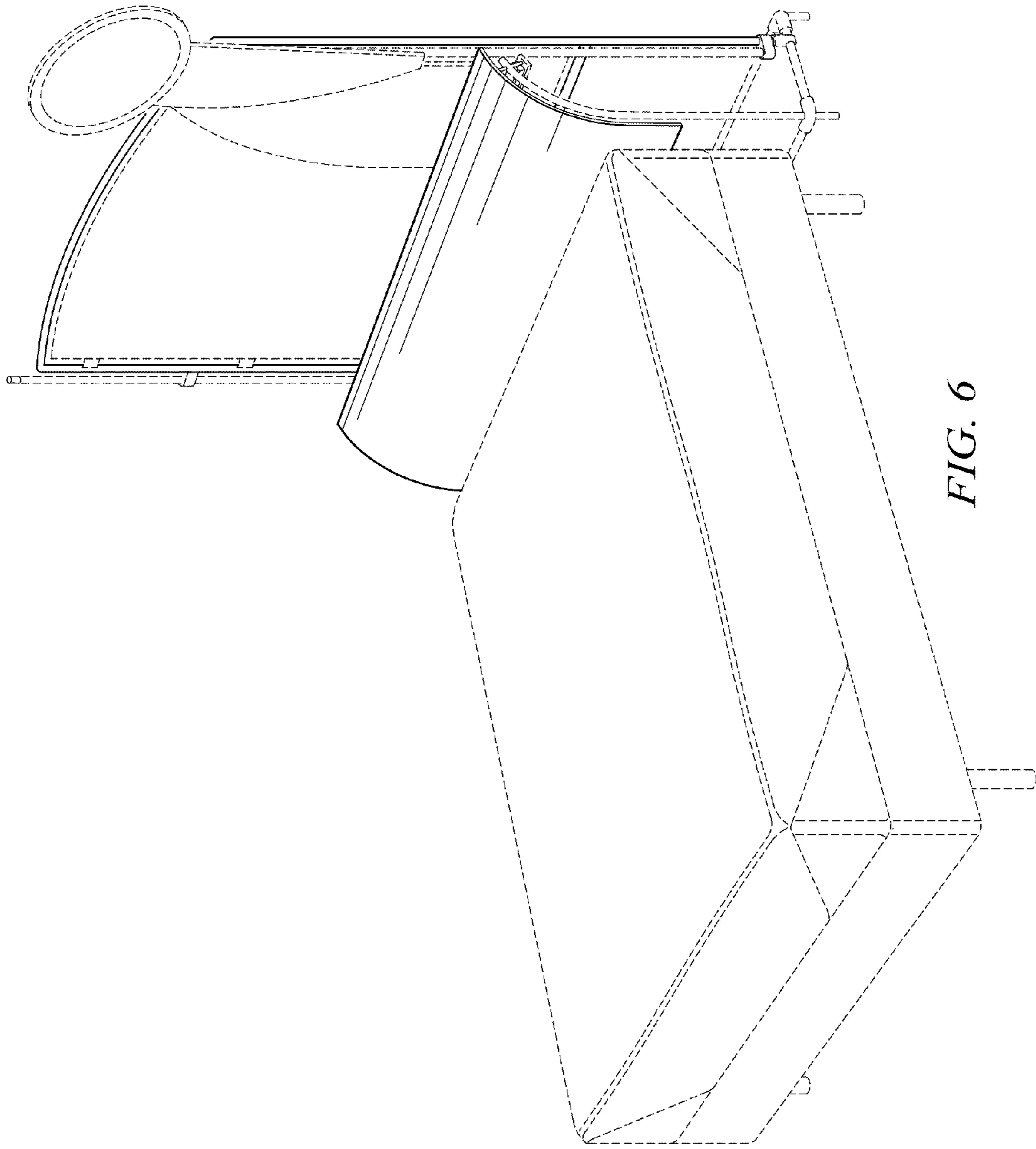


FIG. 6