



US00D651249S

(12) **United States Design Patent**
Gimpel et al.

(10) **Patent No.:** **US D651,249 S**

(45) **Date of Patent:** **** *Dec. 27, 2011**

(54) **DISPLAY FORMED OF RETRACTABLE
BANNER STANDS**

(75) Inventors: **Dixon Gimpel**, Prior Lake, MN (US);
Scott Parizek, Lakeville, MN (US)

(73) Assignee: **Skyline Displays, Inc.**, Eagan, MN (US)

(*) Notice: This patent is subject to a terminal dis-
claimer.

(**) Term: **14 Years**

(21) Appl. No.: **29/346,217**

(22) Filed: **Oct. 28, 2009**

(51) **LOC (9) Cl.** **20-03**

(52) **U.S. Cl.** **D20/10**

(58) **Field of Classification Search** D20/10,
D20/11, 19, 22, 27, 29, 35, 37, 39-43, 99;
40/124.01-124.09, 124.11-124.19, 124.191,
40/446, 514, 538-542, 553, 559, 563, 564,
40/570, 574, 577, 581, 584, 594, 600, 601,
40/602.12, 603-605, 606.01, 607.4, 610,
40/611.01, 617, 624; D6/332; D10/104,
D10/109; 248/166, 359; 362/812

See application file for complete search history.

(56) **References Cited**

U.S. PATENT DOCUMENTS

638,434	A *	12/1899	Woodman	40/624
4,288,937	A *	9/1981	Virsen	
4,700,498	A *	10/1987	Perutz et al.	40/603
D391,298	S *	2/1998	Johnson et al.	D20/10
5,798,861	A *	8/1998	Doat	359/461
6,370,803	B1 *	4/2002	Burquest	40/607.04
D468,362	S *	1/2003	Zarelius	D20/99
6,571,496	B2 *	6/2003	Zarelius	40/514
6,643,966	B2 *	11/2003	Schmitt	40/610
6,718,669	B1	4/2004	Hayes	
7,237,350	B1 *	7/2007	Zarelius	40/610
7,337,567	B2 *	3/2008	Fritsche et al.	40/603

D578,574	S *	10/2008	Lundgren	D20/99
D598,501	S *	8/2009	Merner et al.	D20/43
D608,830	S *	1/2010	Taylor et al.	D20/10
D608,831	S *	1/2010	Taylor et al.	D20/10
D611,102	S *	3/2010	Taylor et al.	D20/10
D613,798	S *	4/2010	Taylor et al.	D20/10
D616,944	S *	6/2010	Taylor et al.	D20/10

(Continued)

FOREIGN PATENT DOCUMENTS

KR 20-0249128 Y1 10/2001

OTHER PUBLICATIONS

Application and File history for U.S. Appl. No. 12/691,486, filed Jan. 21, 2010. Inventors: Scott Parizek et al.

(Continued)

Primary Examiner — Mary Ann Calabrese

(74) *Attorney, Agent, or Firm* — Patterson Thunte
Christensen Pedersen, P.A.

(57) **CLAIM**

We claim the ornamental design for display formed of retract-
able banner stands, as shown.

DESCRIPTION

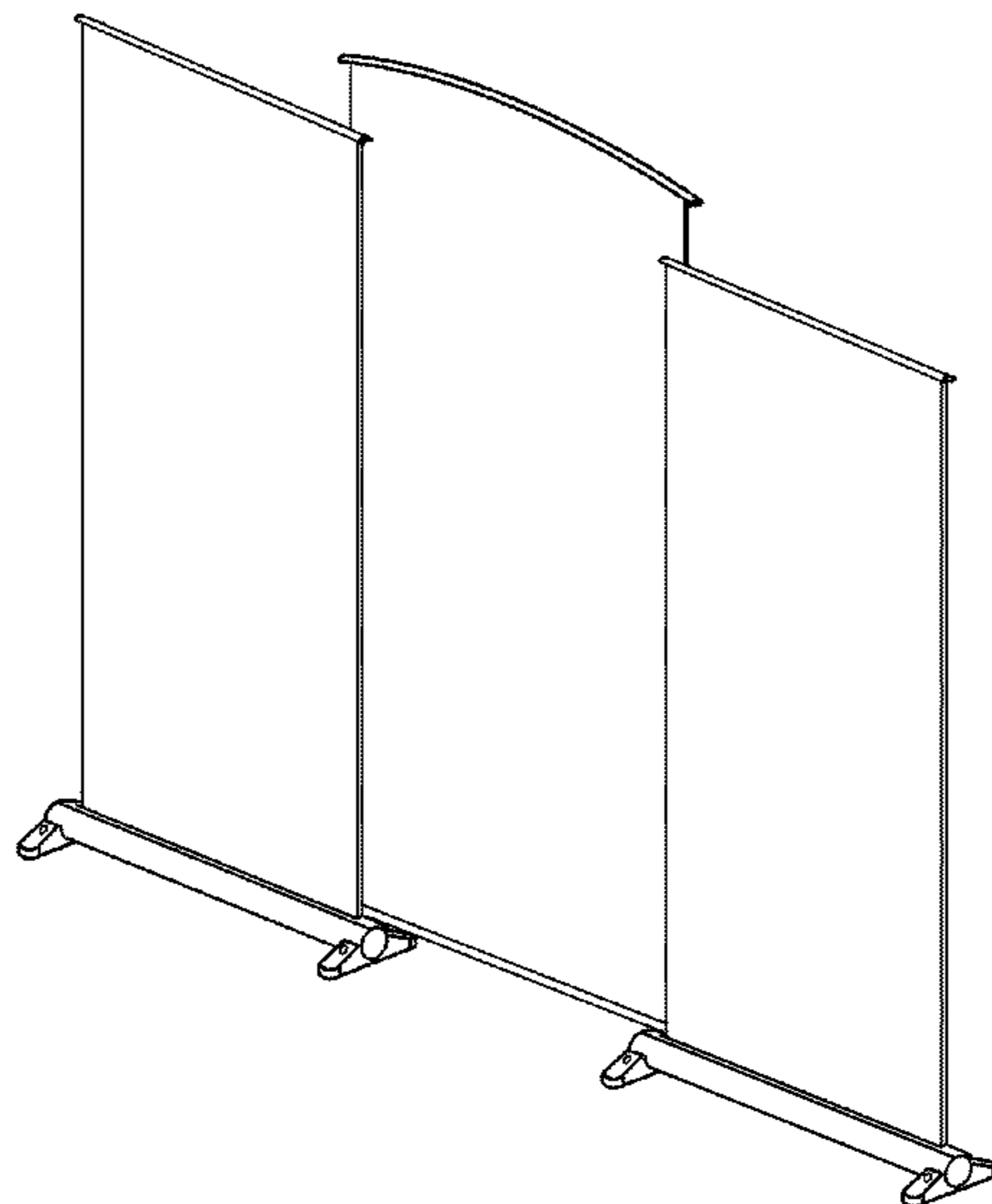
FIG. 1 is a front perspective view of a display formed of
retractable banner stands according to an embodiment of the
invention.

FIG. 2 is a rear perspective view of a display formed of
retractable banner stands according to an embodiment of the
invention.

FIG. 3 is a front perspective view of a display formed of
retractable banner stands according to an alternate embodi-
ment of the invention; and,

FIG. 4 is a rear perspective view of a display formed of
retractable banner stands according to an alternate embodi-
ment of the invention.

1 Claim, 4 Drawing Sheets



US D651,249 S

Page 2

U.S. PATENT DOCUMENTS

D620,529	S *	7/2010	Taylor et al.	D20/10
D620,530	S *	7/2010	Taylor et al.	D20/10
2002/0050083	A1 *	5/2002	Zarelius	40/514
2002/0121034	A1 *	9/2002	Schmitt	40/604
2005/0081413	A1	4/2005	Ko	
2005/0166430	A1 *	8/2005	Zarelius	40/600
2006/0216686	A1	9/2006	McComb et al.	
2007/0257170	A1	11/2007	Whittemore et al.	
2008/0005945	A1 *	1/2008	Fritsche et al.	40/603
2009/0056184	A1 *	3/2009	Fritsche et al.	40/604
2010/0050489	A1 *	3/2010	Merner et al.	40/604
2010/0139135	A1 *	6/2010	Taylor et al.	40/541
2010/0146832	A1 *	6/2010	Gimpel et al.	40/604

OTHER PUBLICATIONS

Application and File history for U.S. Appl. No. 29/346,215, filed Oct. 28, 2009. Inventors: Dixon Gimpel et al.

Application and File history for U.S. Appl. No. 29/346,216, filed Oct. 28, 2009. Inventors: Dixon Gimpel et al.

Application and File history for U.S. Appl. No. 12/607,920, filed Jan. 21, 2010. Inventors: Scott Parizek et al.

* cited by examiner

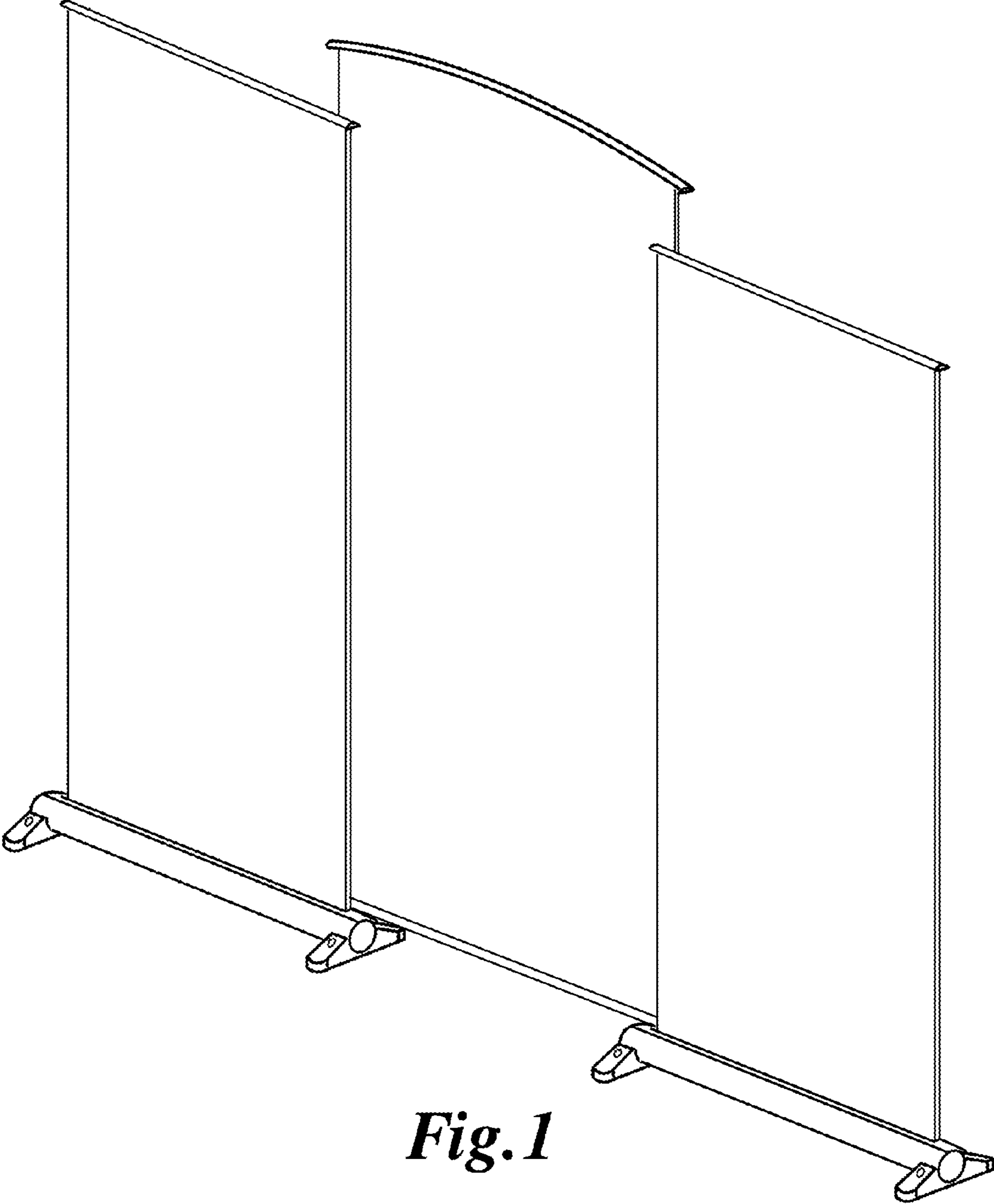


Fig. 1

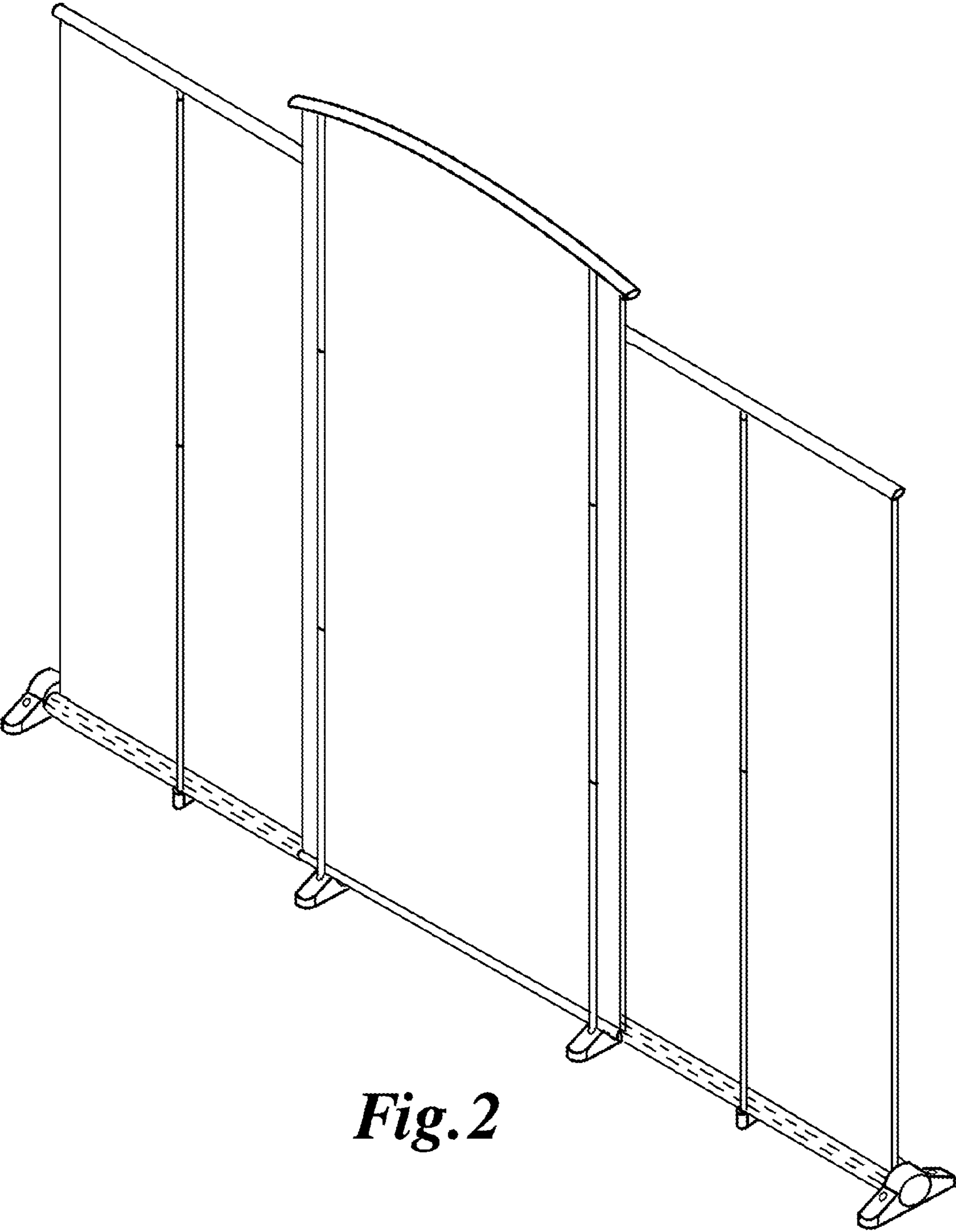


Fig. 2

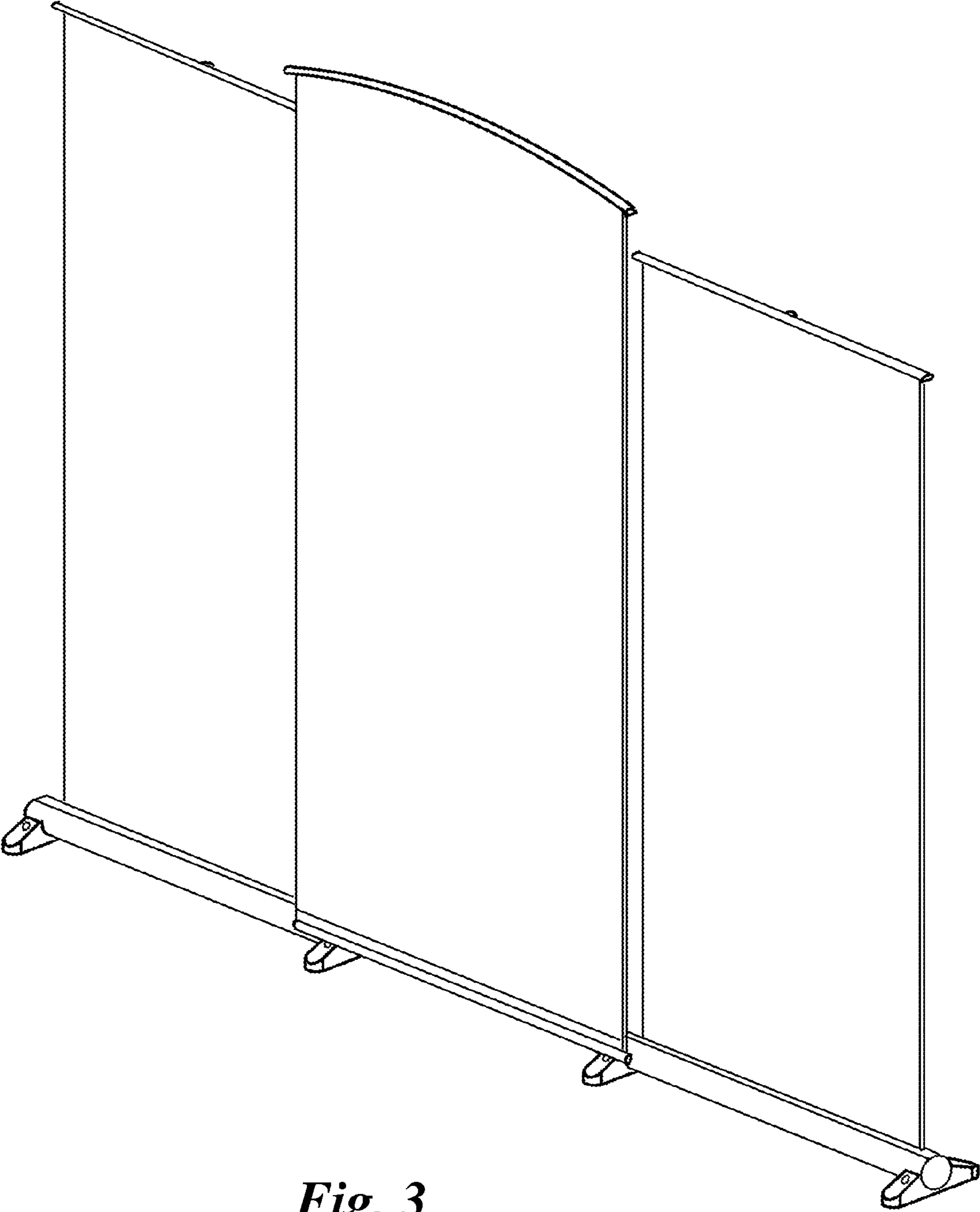


Fig. 3

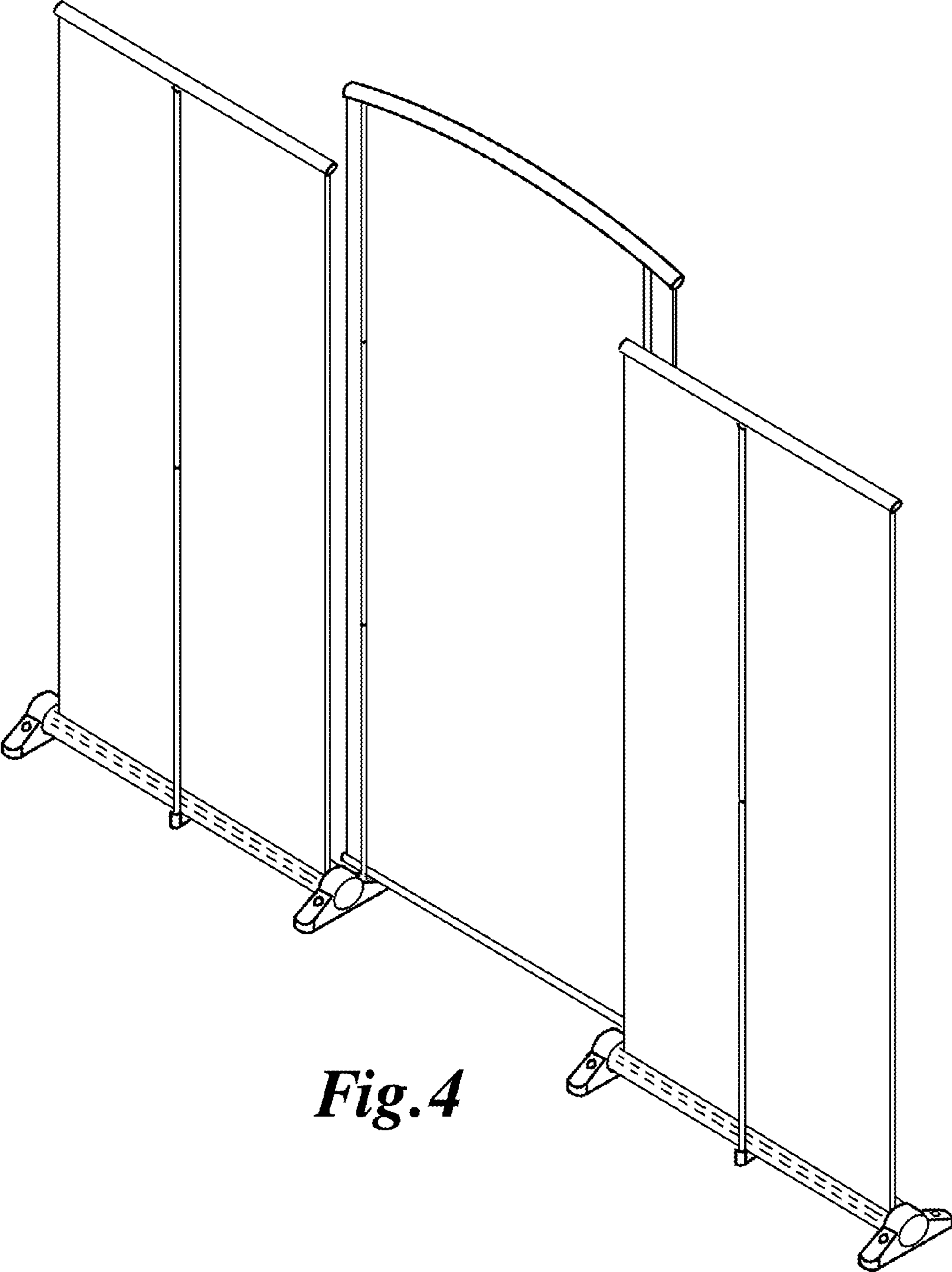


Fig. 4