



US00D651245S

(12) **United States Design Patent**  
**Yuan**

(10) **Patent No.:** **US D651,245 S**  
(45) **Date of Patent:** **\*\* Dec. 27, 2011**

- (54) **PEN**
- (75) Inventor: **Fang Yuan**, Ningbo (CN)
- (73) Assignee: **Beifa Group Co., Ltd.**, Ningbo (CN)
- (\*\*) Term: **14 Years**
- (21) Appl. No.: **29/383,704**
- (22) Filed: **Jan. 20, 2011**
- (30) **Foreign Application Priority Data**

Jul. 24, 2010 (CN) ..... 2010 3 0254414

- (51) **LOC (9) Cl.** ..... **19-06**
- (52) **U.S. Cl.** ..... **D19/50**
- (58) **Field of Classification Search** ..... D19/35,  
D19/36, 41-51, 54-58; D14/411, 431; 24/11 R,  
24/11 F, 11 P; 401/52, 99, 100, 104-109,  
401/192, 195, 196  
See application file for complete search history.

(56) **References Cited**

**U.S. PATENT DOCUMENTS**

D104,542 S	5/1937	Pearce	
D250,478 S	12/1978	Jahraus	
D394,877 S	6/1998	Hsieh	
D398,934 S *	9/1998	Veillon	D19/51
D459,393 S *	6/2002	Verhaeghe	D19/43
D465,238 S *	11/2002	Qiu	D19/50
D472,577 S *	4/2003	Sakuno et al.	D19/51
D476,364 S *	6/2003	Bain	D19/51
D478,125 S	8/2003	Chen	
D478,626 S	8/2003	Stropkay	
D480,423 S	10/2003	Kung	
D487,114 S *	2/2004	Santa Maria et al.	D19/50
D497,643 S *	10/2004	Nishida	D19/51
D502,507 S	3/2005	Wang	
D510,104 S	9/2005	Qiu	
D525,302 S *	7/2006	Togawa	D19/51

D534,586 S *	1/2007	Togawa	D19/50
D534,955 S	1/2007	Xiong	
D538,343 S	3/2007	Morton	
D540,866 S	4/2007	Qiu	
D548,281 S	8/2007	Tien	
D548,788 S	8/2007	Anand	
D548,791 S	8/2007	Santa Maria	
D549,778 S *	8/2007	Kent et al.	D19/51
D561,254 S *	2/2008	Lin et al.	D19/48
D562,891 S *	2/2008	Qiu et al.	D19/47
D562,895 S *	2/2008	Shibata	D19/50
D565,102 S	3/2008	Anand	
D566,763 S *	4/2008	Kowalczyk	D19/50
D575,821 S	8/2008	Tan	
D576,675 S *	9/2008	Kent et al.	D19/49

(Continued)

**OTHER PUBLICATIONS**

Li, B., "Pen," U.S. Appl. No. 29/382,823, filed Jan. 7, 2011.

(Continued)

*Primary Examiner* — Elizabeth Albert  
(74) *Attorney, Agent, or Firm* — Christensen O'Connor Johnson Kindness PLLC

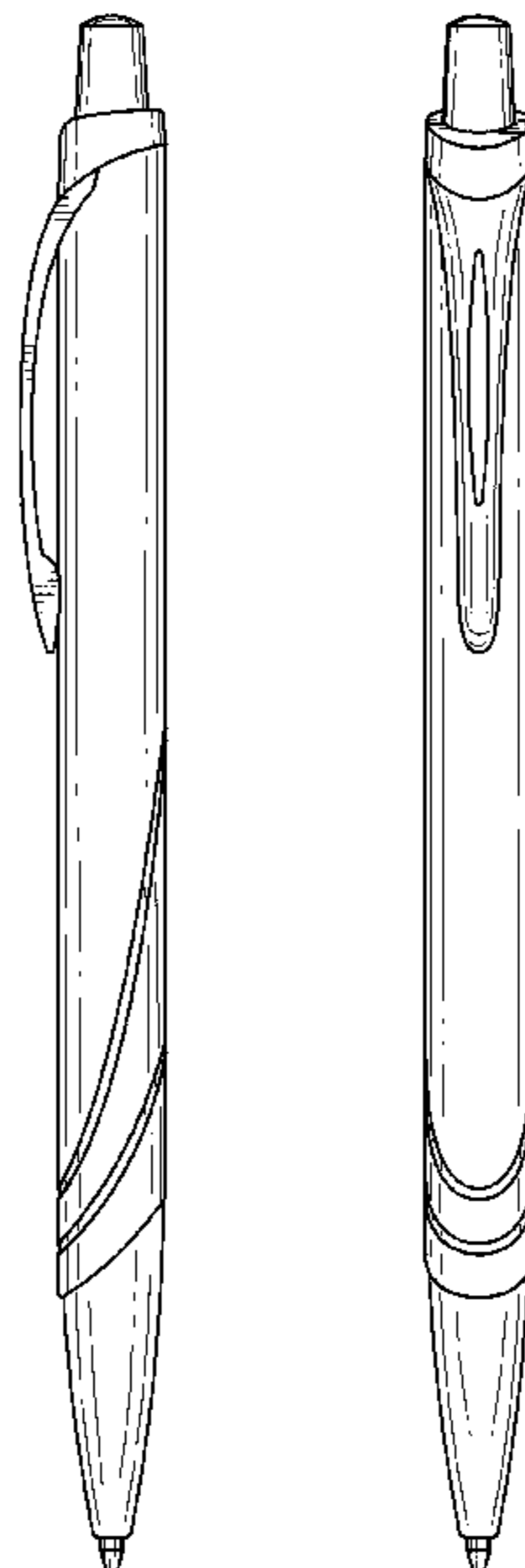
(57) **CLAIM**

The ornamental design for a pen, as shown and described.

**DESCRIPTION**

FIG. 1 is an upper front right perspective view of a pen showing my new design;  
FIG. 2 is a right side elevation view thereof, with the left side elevation view being a mirror image of the right side elevation view;  
FIG. 3 is a front elevation view thereof;  
FIG. 4 is a rear elevation view thereof;  
FIG. 5 is an enlarged top plan view thereof; and,  
FIG. 6 is an enlarged bottom plan view thereof.

**1 Claim, 3 Drawing Sheets**



# US D651,245 S

Page 2

---

## U.S. PATENT DOCUMENTS

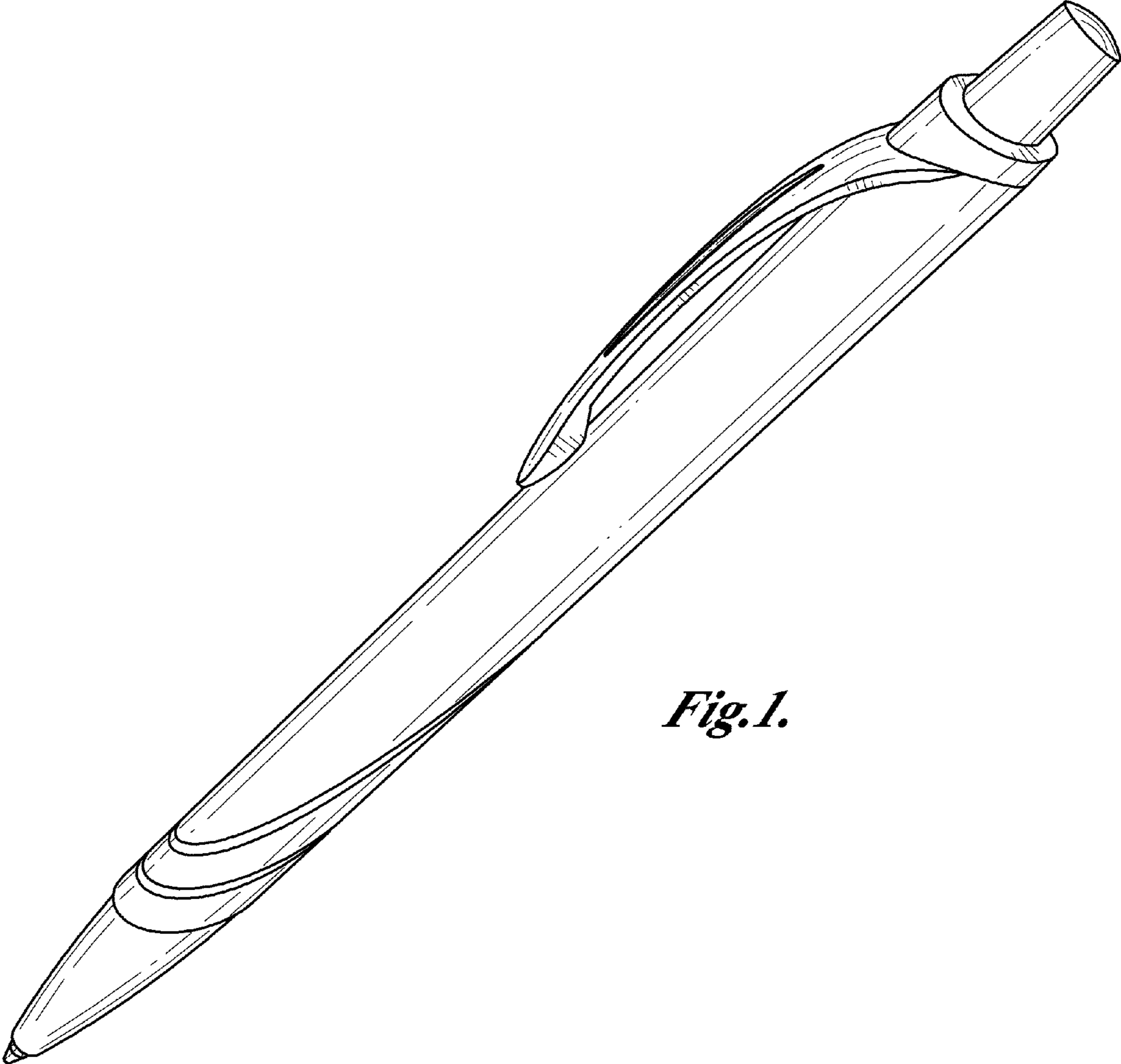
D583,413 S \* 12/2008 Li ..... D19/49  
D587,752 S 3/2009 Shimizu  
D594,059 S 6/2009 Shibata  
D603,452 S \* 11/2009 Rolion et al. .... D19/50  
D603,453 S \* 11/2009 Rolion et al. .... D19/50  
D605,701 S 12/2009 Zhang  
D607,932 S \* 1/2010 Zhang ..... D19/48  
D609,748 S \* 2/2010 Achzet et al. .... D19/55  
D619,169 S \* 7/2010 Kent et al. .... D19/48  
D630,247 S \* 1/2011 Shimizu ..... D19/50  
D631,913 S \* 2/2011 Li ..... D19/48

D641,407 S \* 7/2011 Li ..... D19/50  
D641,408 S \* 7/2011 Zhang ..... D19/50  
D641,788 S \* 7/2011 Rolion et al. .... D19/50

## OTHER PUBLICATIONS

Liang, W., "Pen," U.S. Appl. No. 29/383,350, filed Jan. 14, 2011.  
Liang, W., "Pen," U.S. Appl. No. 29/383,939, filed Jan. 24, 2011.  
Yuan, F., "Pen," U.S. Appl. No. 29/383,557, filed Jan. 19, 2011.  
Yuan, F., "Pen," U.S. Appl. No. 29/383,702, filed Jan. 20, 2011.  
Zhang, Y., "Pen," U.S. Appl. No. 29/365,887, filed Jul. 16, 2010.

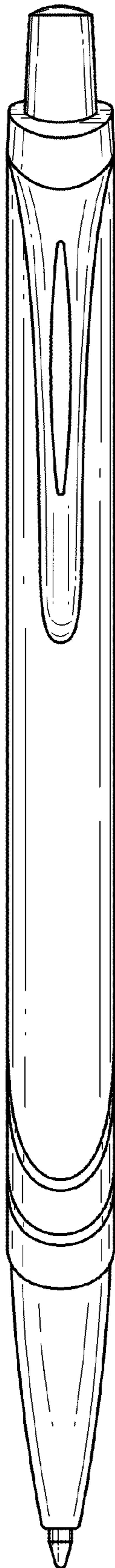
\* cited by examiner



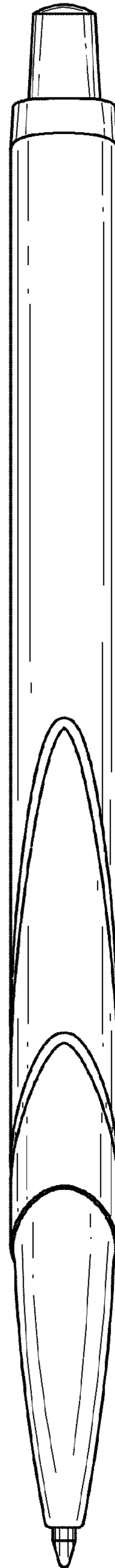
*Fig. 1.*



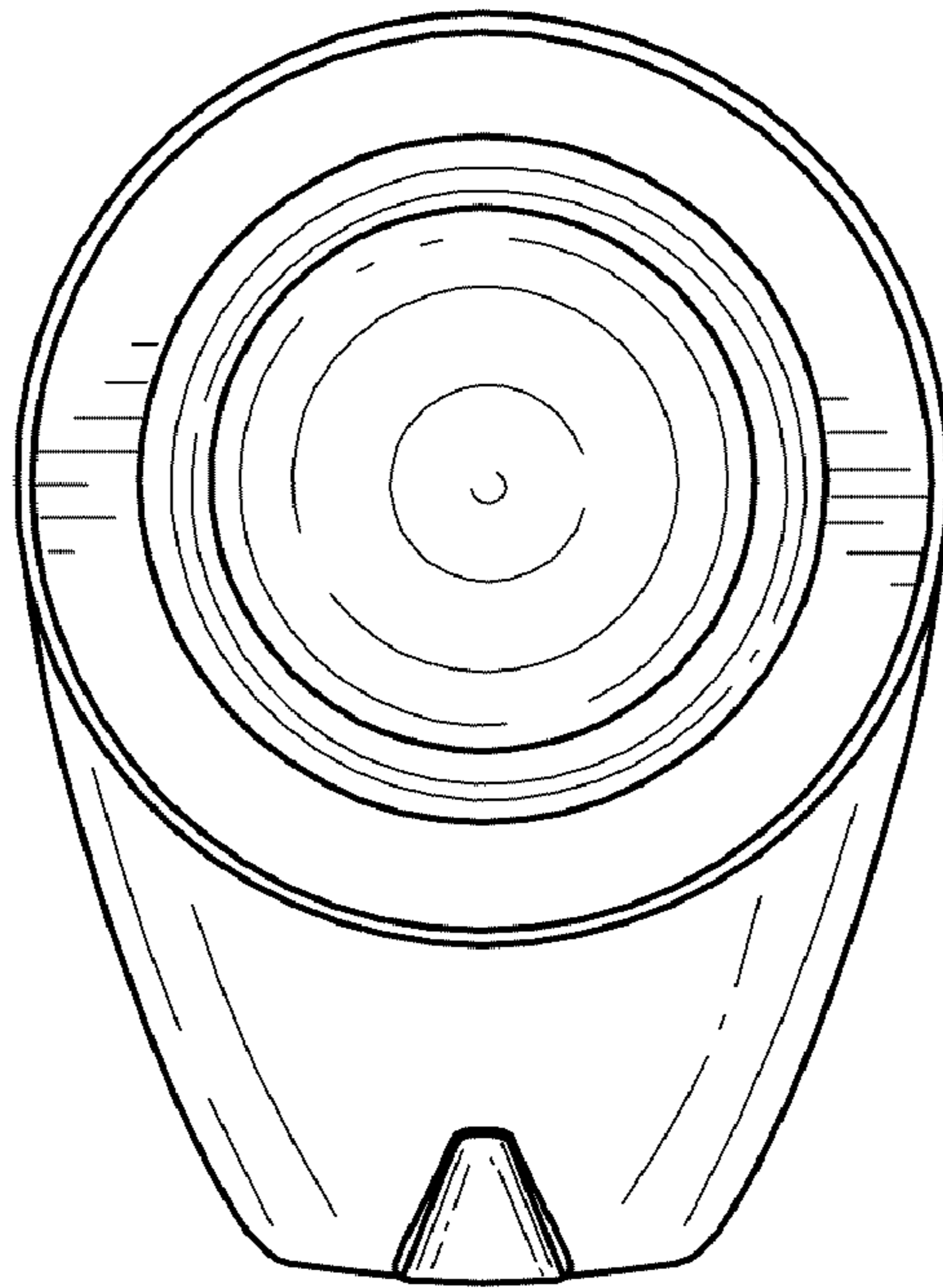
*Fig. 2.*



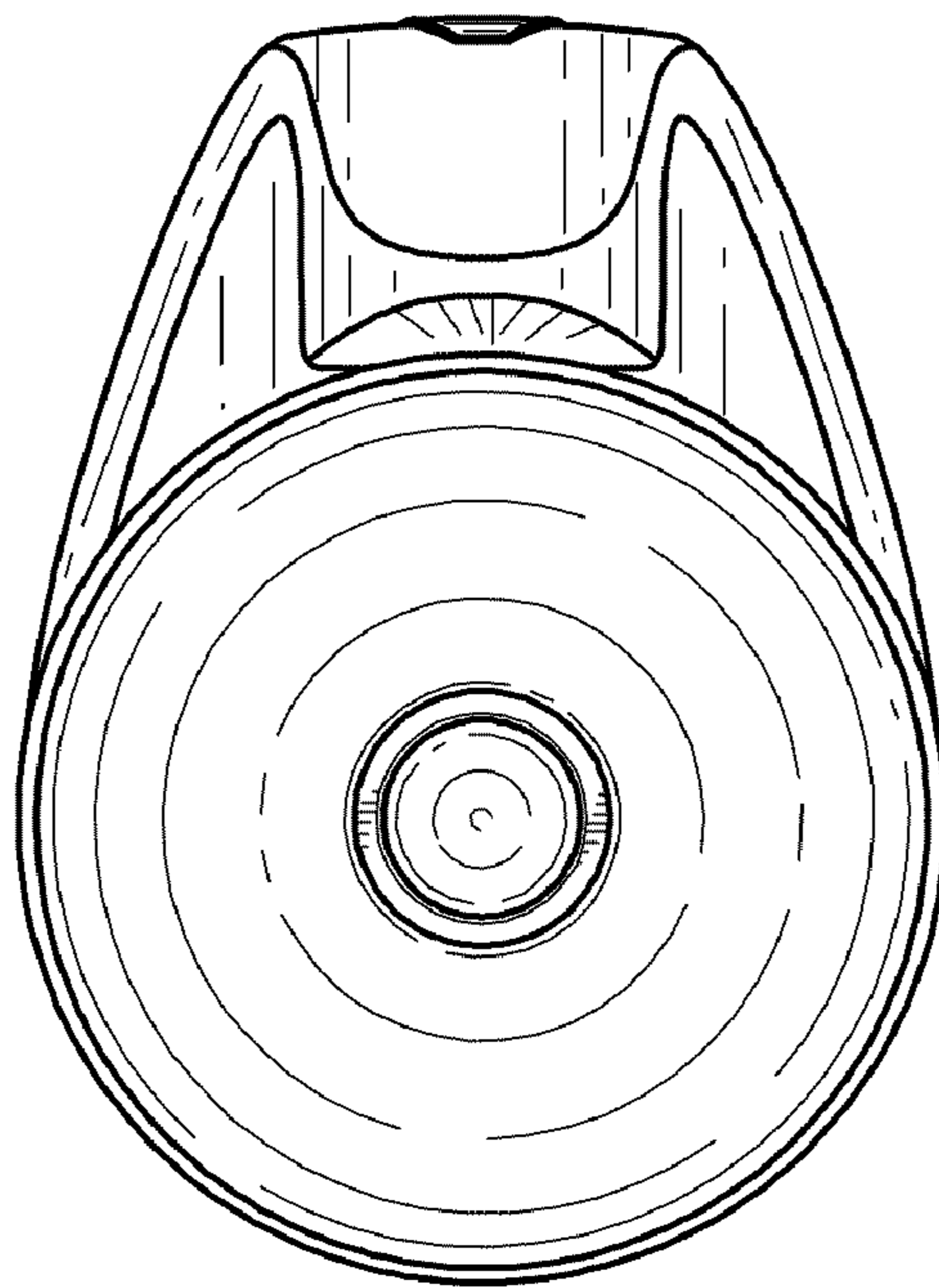
*Fig. 3.*



*Fig. 4.*



*Fig. 5.*



*Fig. 6.*