



US00D651243S

(12) **United States Design Patent**  
**Yuan**

(10) **Patent No.:** **US D651,243 S**  
(45) **Date of Patent:** **\*\* Dec. 27, 2011**

- (54) **PEN**
- (75) Inventor: **Fang Yuan**, Ningbo (CN)
- (73) Assignee: **Beifa Group Co., Ltd.**, Ningbo (CN)
- (\*\*) Term: **14 Years**
- (21) Appl. No.: **29/383,937**
- (22) Filed: **Jan. 24, 2011**
- (30) **Foreign Application Priority Data**

- D546,882 S \* 7/2007 Qiu ..... D19/50
- D548,791 S 8/2007 Santa Maria
- D551,711 S 9/2007 Pellissa Beneyto
- D553,681 S \* 10/2007 Cetera ..... D19/51
- D557,744 S 12/2007 Lecce
- D574,890 S 8/2008 Avenatti
- D575,823 S 8/2008 Rommel
- D577,069 S 9/2008 Bhavnani
- D585,491 S 1/2009 Booker
- D589,559 S 3/2009 Slemp
- D596,228 S \* 7/2009 Koch ..... D19/41
- D606,587 S 12/2009 Zhang
- D610,616 S 2/2010 Li
- D611,095 S \* 3/2010 Liu ..... D19/49
- D611,096 S \* 3/2010 Liu ..... D19/49

Jul. 24, 2010 (CN) ..... 2010 3 0254423

- (51) **LOC (9) Cl.** ..... **19-06**
- (52) **U.S. Cl.** ..... **D19/49**
- (58) **Field of Classification Search** ..... D19/35,  
D19/36, 41-51, 54-58; D14/411, 431; 24/11 R,  
24/11 F, 11 P; 401/52, 99, 100, 104-109,  
401/192, 195, 196  
See application file for complete search history.

(Continued)

**OTHER PUBLICATIONS**

Liang, W., "Pen," U.S. Appl. No. 29/383,350, filed Jan. 14, 2011.

(Continued)

*Primary Examiner* — Elizabeth Albert  
(74) *Attorney, Agent, or Firm* — Christensen O'Connor Johnson Kindness PLLC

(56) **References Cited**

**U.S. PATENT DOCUMENTS**

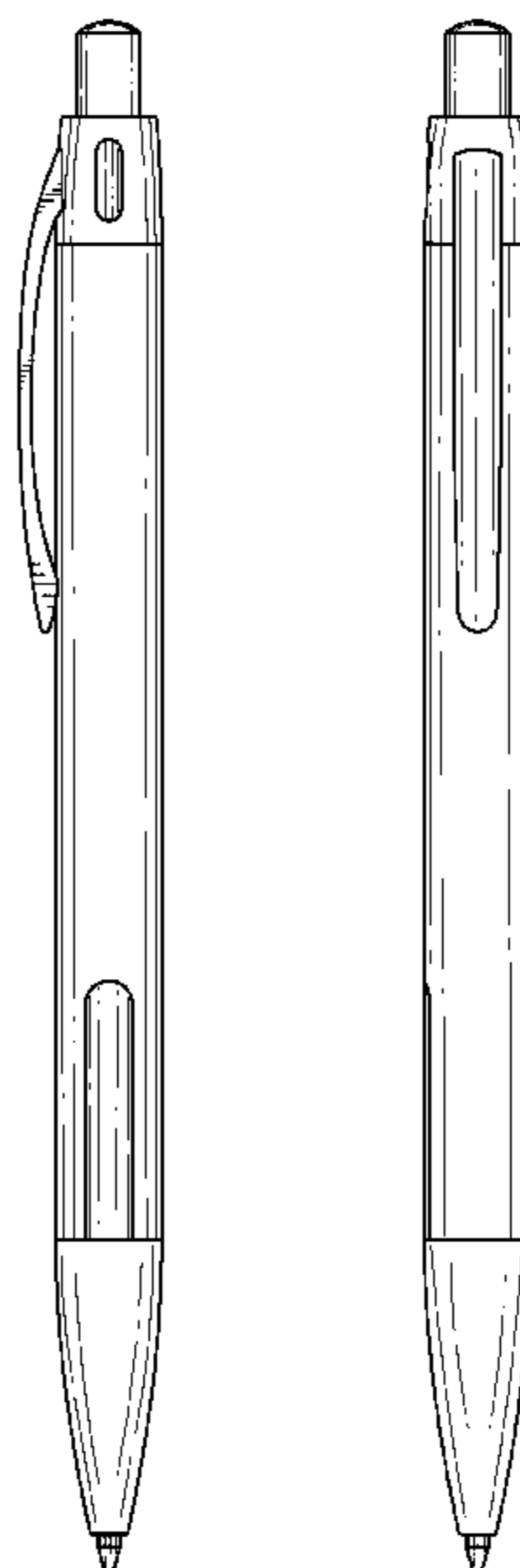
- D104,542 S 5/1937 Pearce
- D250,478 S 12/1978 Jahraus
- D265,741 S \* 8/1982 Funahashi ..... D19/49
- D269,016 S 5/1983 Garganese
- D275,297 S \* 8/1984 Ohyabu ..... D19/49
- D283,140 S 3/1986 Petrillo
- D309,633 S 7/1990 Itoh
- D382,016 S 8/1997 Takahashi
- D395,448 S \* 6/1998 Chevalier ..... D19/51
- D397,723 S \* 9/1998 Izushima ..... D19/49
- D425,559 S 5/2000 Beneyto
- D437,352 S 2/2001 Matsuzaki
- D456,846 S 5/2002 Pellisa Beneyto
- D472,577 S \* 4/2003 Sakuno et al. .... D19/51
- D501,508 S 2/2005 Lecce
- D523,081 S 6/2006 Pellissa Beneyto

(57) **CLAIM**  
The ornamental design for a pen, as shown and described.

**DESCRIPTION**

FIG. 1 is a front right perspective view of a pen showing my new design;  
FIG. 2 is a right side elevation view thereof, with the left side elevation view being a mirror image of the right side elevation view;  
FIG. 3 is a front elevation view thereof;  
FIG. 4 is a rear elevation view thereof;  
FIG. 5 is an enlarged top plan view thereof; and,  
FIG. 6 is an enlarged bottom plan view thereof.

**1 Claim, 3 Drawing Sheets**



# US D651,243 S

Page 2

---

## U.S. PATENT DOCUMENTS

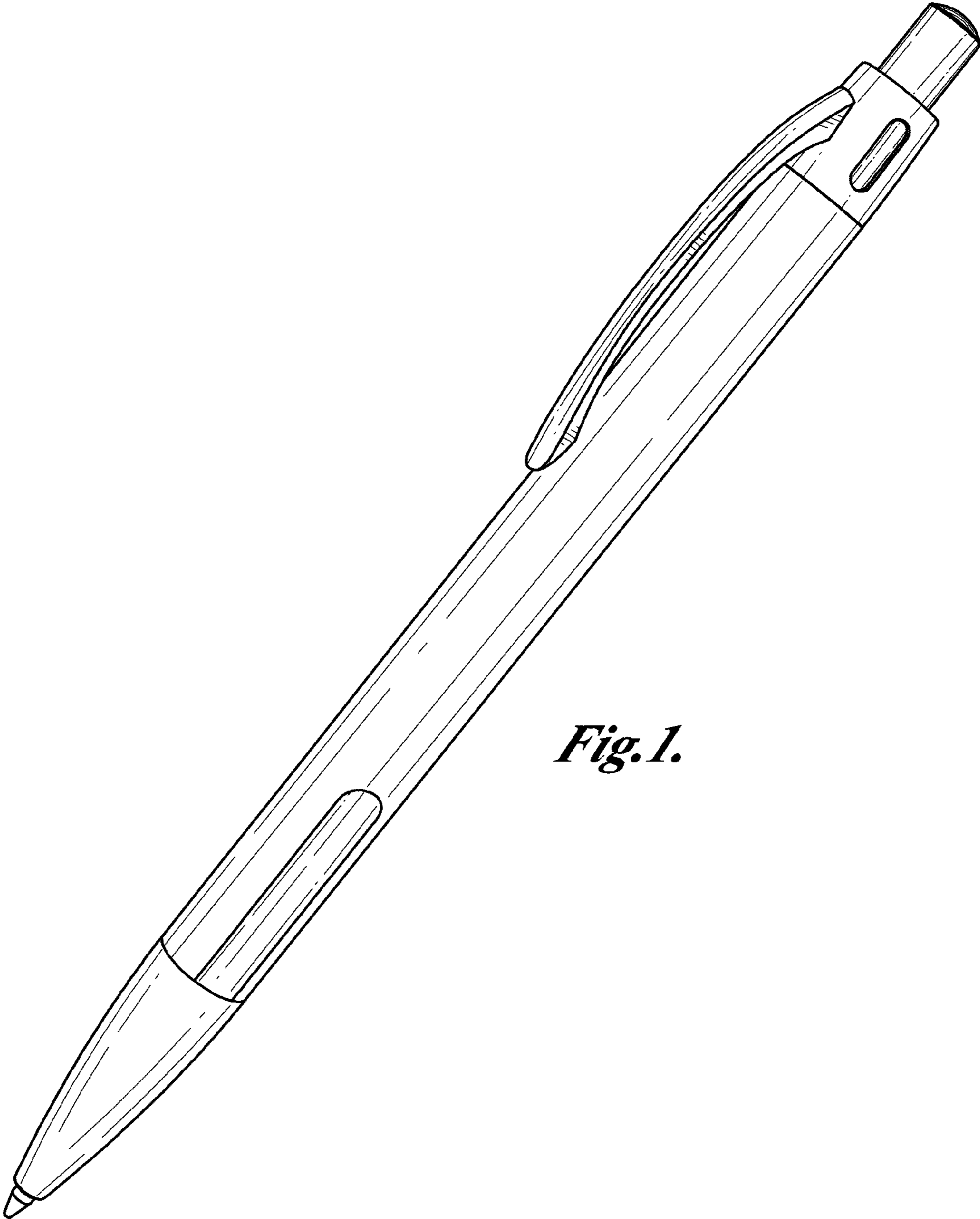
D611,097 S \* 3/2010 Liu ..... D19/49  
D611,538 S 3/2010 Zhou  
D616,498 S \* 5/2010 Zhang ..... D19/49  
D619,650 S \* 7/2010 Shi ..... D19/36  
D638,061 S \* 5/2011 Wang ..... D19/48  
D638,062 S \* 5/2011 Wang ..... D19/49

## OTHER PUBLICATIONS

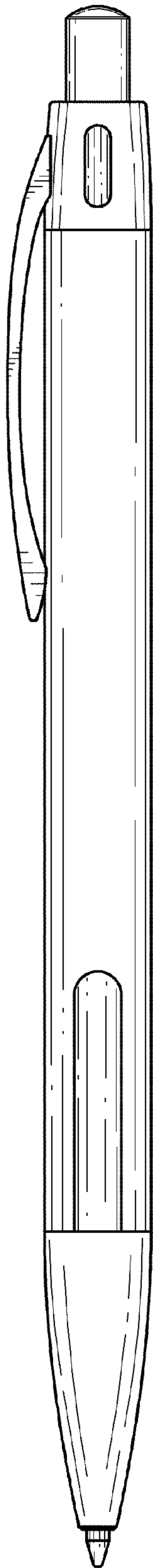
Liang, W., "Pen," U.S. Appl. No. 29/383,356, filed Jan. 14, 2011.

Liang, W., "Pen," U.S. Appl. No. 29/383,939, filed Jan. 24, 2011.  
Liu, L., "Pen," U.S. Appl. No. 29/384,321, filed Jan. 28, 2011.  
Yuan, F., "Pen," U.S. Appl. No. 29/383,550, filed Jan. 19, 2011.  
Yuan, F., "Pen," U.S. Appl. No. 29/383,557, filed Jan. 19, 2011.  
Yuan, F., "Pen," U.S. Appl. No. 29/383,702, filed Jan. 20, 2011.  
Yuan, F., "Pen," U.S. Appl. No. 29/383,704, filed Jan. 20, 2011.  
Yuan, F., "Pen," U.S. Appl. No. 29/383,705, filed Jan. 20, 2011.  
Zhang, Y., "Pen," U.S. Appl. No. 29/365,887, filed Jul. 16, 2010.

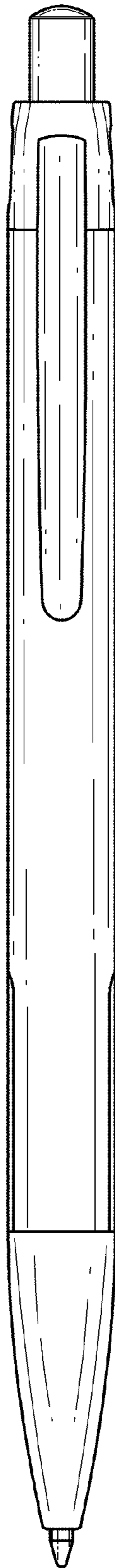
\* cited by examiner



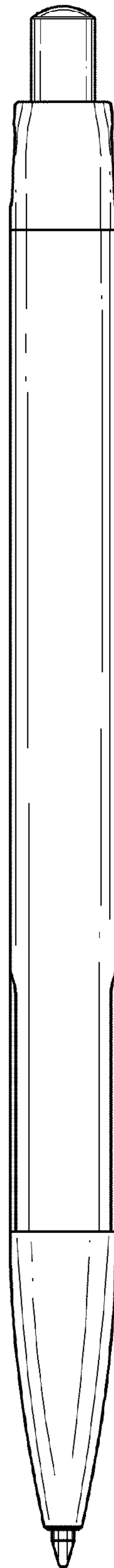
*Fig. 1.*



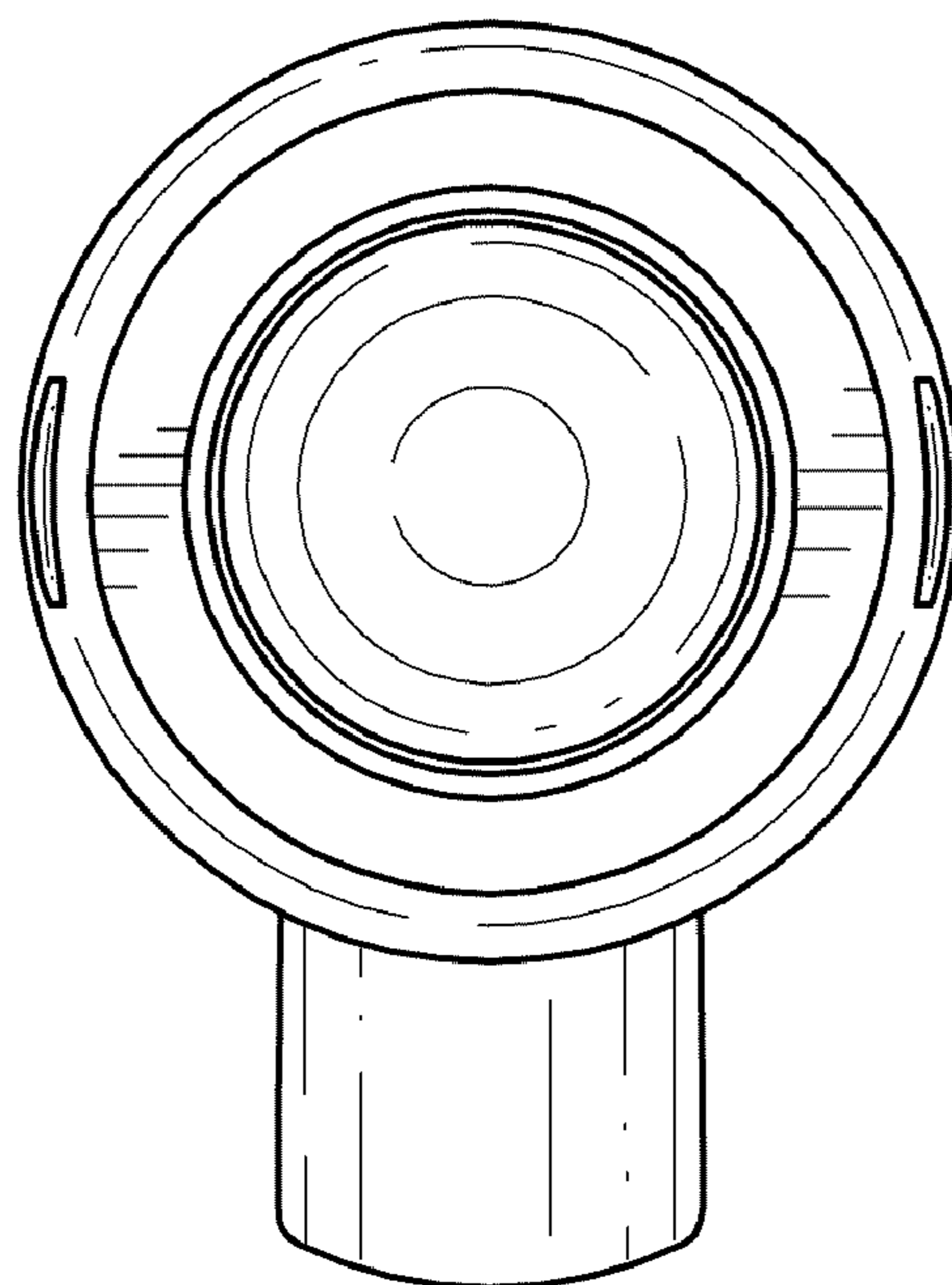
*Fig. 2.*



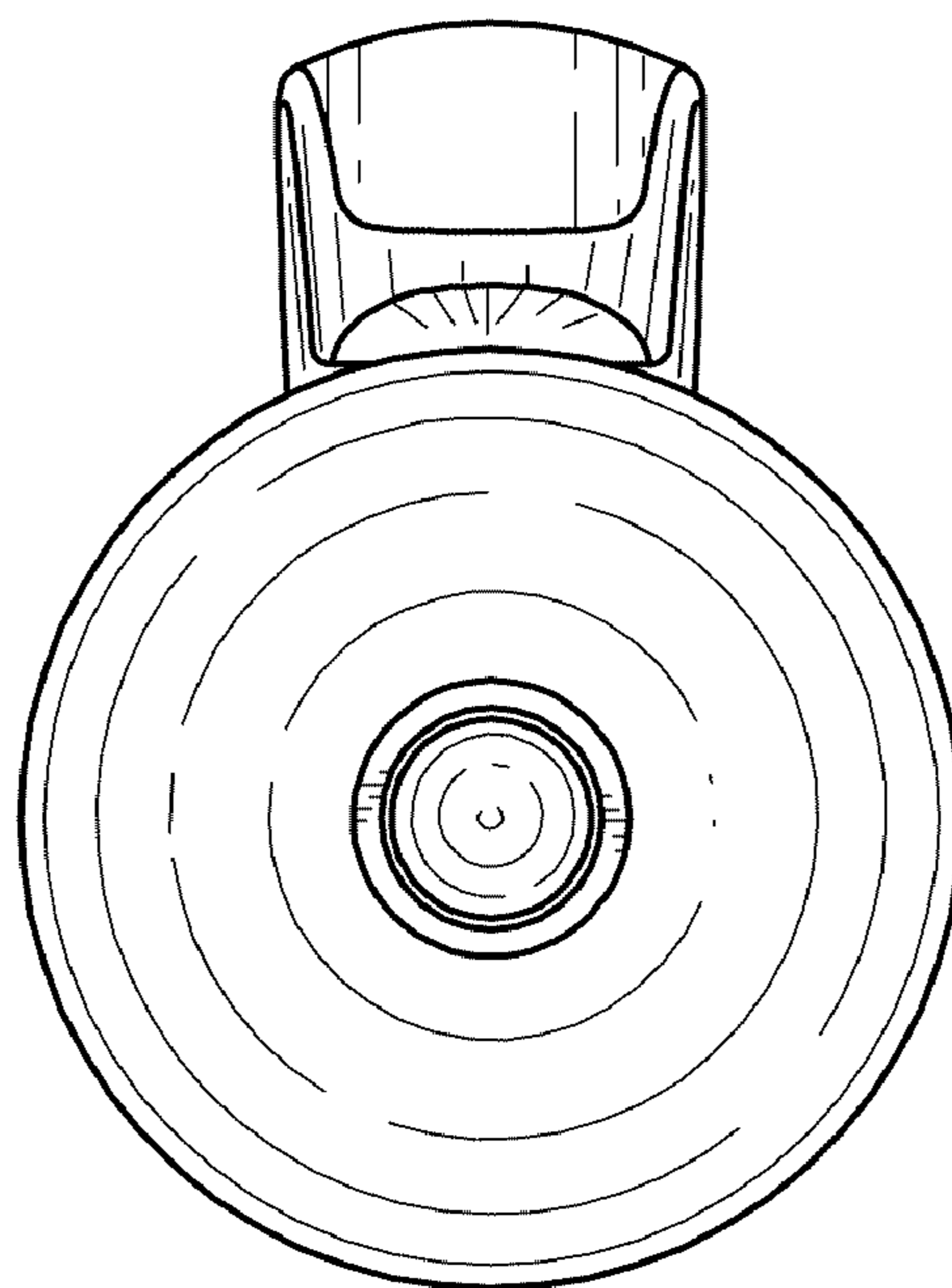
*Fig. 3.*



*Fig. 4.*



*Fig. 5.*



*Fig. 6.*