



US00D651242S

(12) **United States Design Patent**
Yuan

(10) **Patent No.:** **US D651,242 S**
(45) **Date of Patent:** **** Dec. 27, 2011**

- (54) **PEN**
- (75) Inventor: **Fang Yuan**, Ningbo (CN)
- (73) Assignee: **Beifa Group Co., Ltd.**, Ningbo (CN)
- (**) Term: **14 Years**
- (21) Appl. No.: **29/383,705**
- (22) Filed: **Jan. 20, 2011**
- (30) **Foreign Application Priority Data**

Jul. 24, 2010 (CN) 2010 3 0254411

- (51) **LOC (9) Cl.** **19-06**
- (52) **U.S. Cl.** **D19/49**
- (58) **Field of Classification Search** D19/35,
D19/36, 41-51, 54-58; D14/411, 431; 24/11 R,
24/11 F, 11 P; 401/52, 99, 100, 104-109,
401/192, 195, 196
See application file for complete search history.

(56) **References Cited**

U.S. PATENT DOCUMENTS

D104,542 S	5/1937	Pearce	
D250,478 S	12/1978	Jahraus	
4,244,525 A *	1/1981	Manna	239/289
D269,016 S	5/1983	Garganese	
D283,140 S	3/1986	Petrillo	
D309,633 S	7/1990	Itoh	
D382,016 S	8/1997	Takahashi	
D395,448 S *	6/1998	Chevalier	D19/51
D397,723 S *	9/1998	Izushima	D19/49
D425,559 S	5/2000	Beneyto	
D436,127 S	1/2001	Hung	
D437,352 S	2/2001	Matsuzaki	
D456,846 S	5/2002	Pellisa Beneyto	
D460,112 S *	7/2002	Keda	D19/51
D462,990 S	9/2002	Hwang	
D472,577 S *	4/2003	Sakuno et al.	D19/51

D496,688 S	9/2004	Nishida	
D499,447 S	12/2004	Hui-Kuo	
D501,508 S	2/2005	Lecce	
D523,081 S	6/2006	Pellisa Beneyto	
D534,586 S	1/2007	Togawa	
D544,915 S *	6/2007	Santa Maria et al.	D19/55
D546,882 S *	7/2007	Qiu	D19/50
D548,791 S	8/2007	Santa Maria	
D551,711 S	9/2007	Pellisa Beneyto	
D552,681 S	10/2007	Koch	
D553,681 S *	10/2007	Cetera	D19/51
D557,744 S	12/2007	Lecce	
D558,268 S *	12/2007	Siegel	D19/47
D574,890 S	8/2008	Avenatti	
D575,343 S *	8/2008	Cetera	D19/55

(Continued)

OTHER PUBLICATIONS

Guo, Y., "Pen," U.S. Appl. No. 29/364,901, filed Jun. 30, 2010.

(Continued)

Primary Examiner — Elizabeth Albert
(74) *Attorney, Agent, or Firm* — Christensen O'Connor Johnson Kindness PLLC

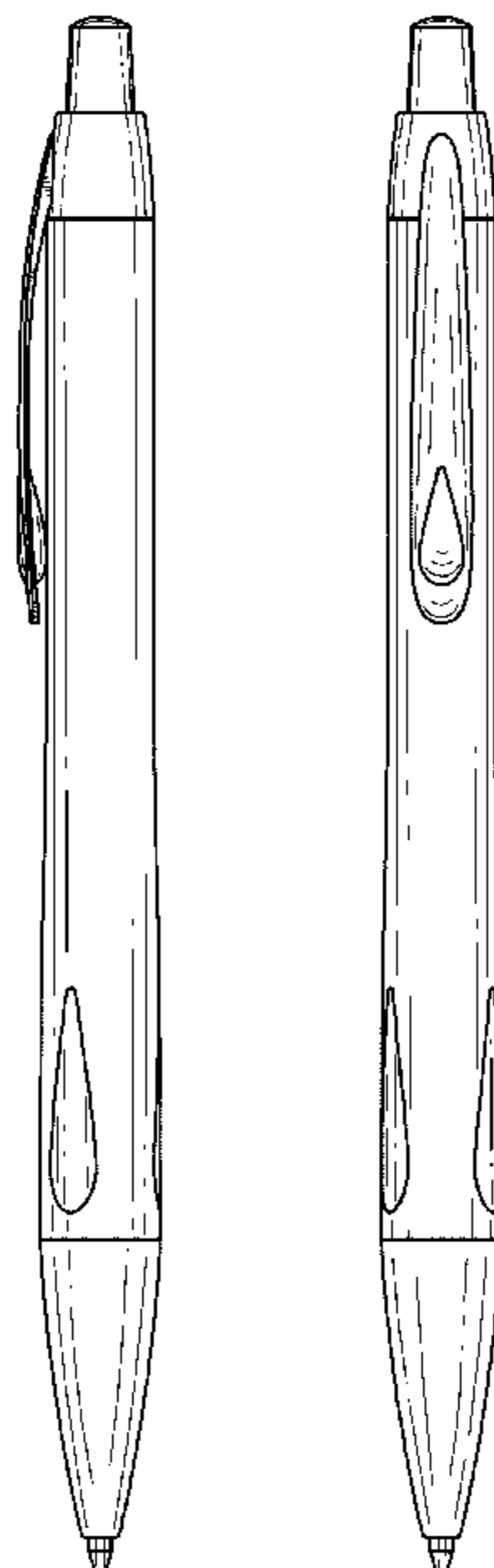
(57) **CLAIM**

The ornamental design for a pen, as shown and described.

DESCRIPTION

FIG. 1 is a lower front right perspective view of a pen showing my new design;
FIG. 2 is a right side elevation view thereof, with the left side elevation view being a mirror image of the right side elevation view;
FIG. 3 is a front elevation view thereof;
FIG. 4 is a rear elevation view thereof;
FIG. 5 is an enlarged top plan view thereof; and,
FIG. 6 is an enlarged bottom plan view thereof.

1 Claim, 3 Drawing Sheets



US D651,242 S

Page 2

U.S. PATENT DOCUMENTS

D575,823 S 8/2008 Rommel
D577,069 S 9/2008 Bhavnani
D585,491 S 1/2009 Booker
D589,559 S 3/2009 Slemp
D596,228 S * 7/2009 Koch D19/41
D611,538 S 3/2010 Zhou

OTHER PUBLICATIONS

Liang, W., "Pen," U.S. Appl. No. 29/383,350, filed Jan. 14, 2011.

Liang, W., "Pen," U.S. Appl. No. 29/383,356, filed Jan. 14, 2011.
Liang, W., "Pen," U.S. Appl. No. 29/383,939, filed Jan. 24, 2011.
Liu, L., "Pen," U.S. Appl. No. 29/384,321, filed Jan. 28, 2011.
Yuan, F., "Pen," U.S. Appl. No. 29/383,550, filed Jan. 19, 2011.
Yuan, F., "Pen," U.S. Appl. No. 29/383,557, filed Jan. 19, 2011.
Yuan, F., "Pen," U.S. Appl. No. 29/383,702, filed Jan. 20, 2011.
Yuan, F., "Pen," U.S. Appl. No. 29/383,704, filed Jan. 20, 2011.
Yuan, F., "Pen," U.S. Appl. No. 29/383,937, filed Jan. 24, 2011.
Zhang, Y., "Pen," U.S. Appl. No. 29/365,887, filed Jul. 16, 2010.

* cited by examiner

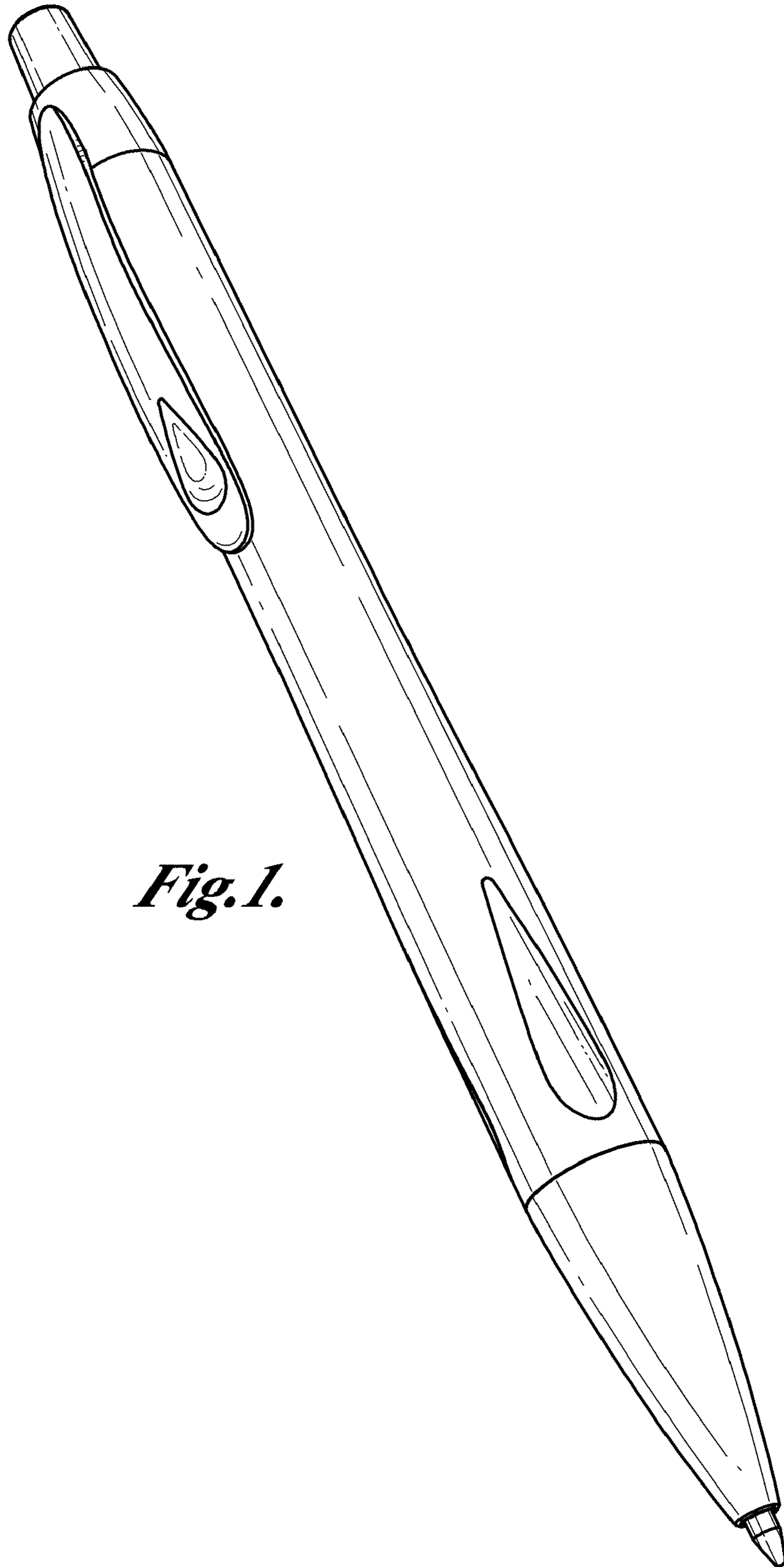


Fig. 1.

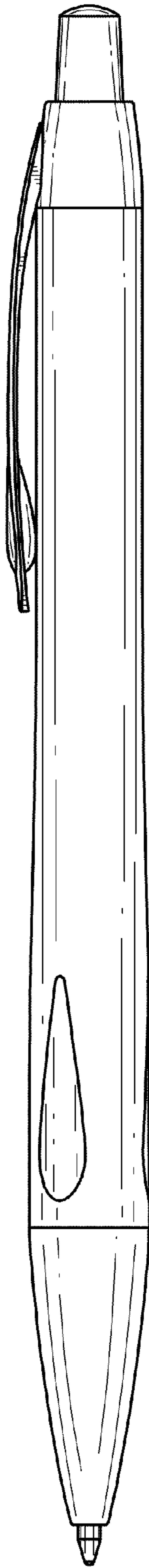


Fig. 2.

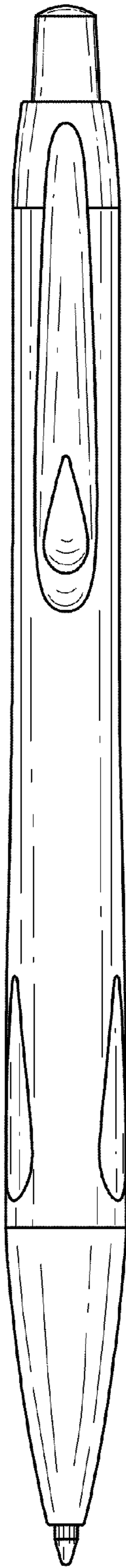


Fig. 3.

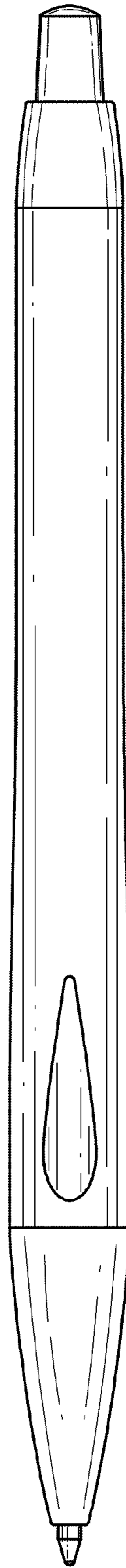


Fig. 4.

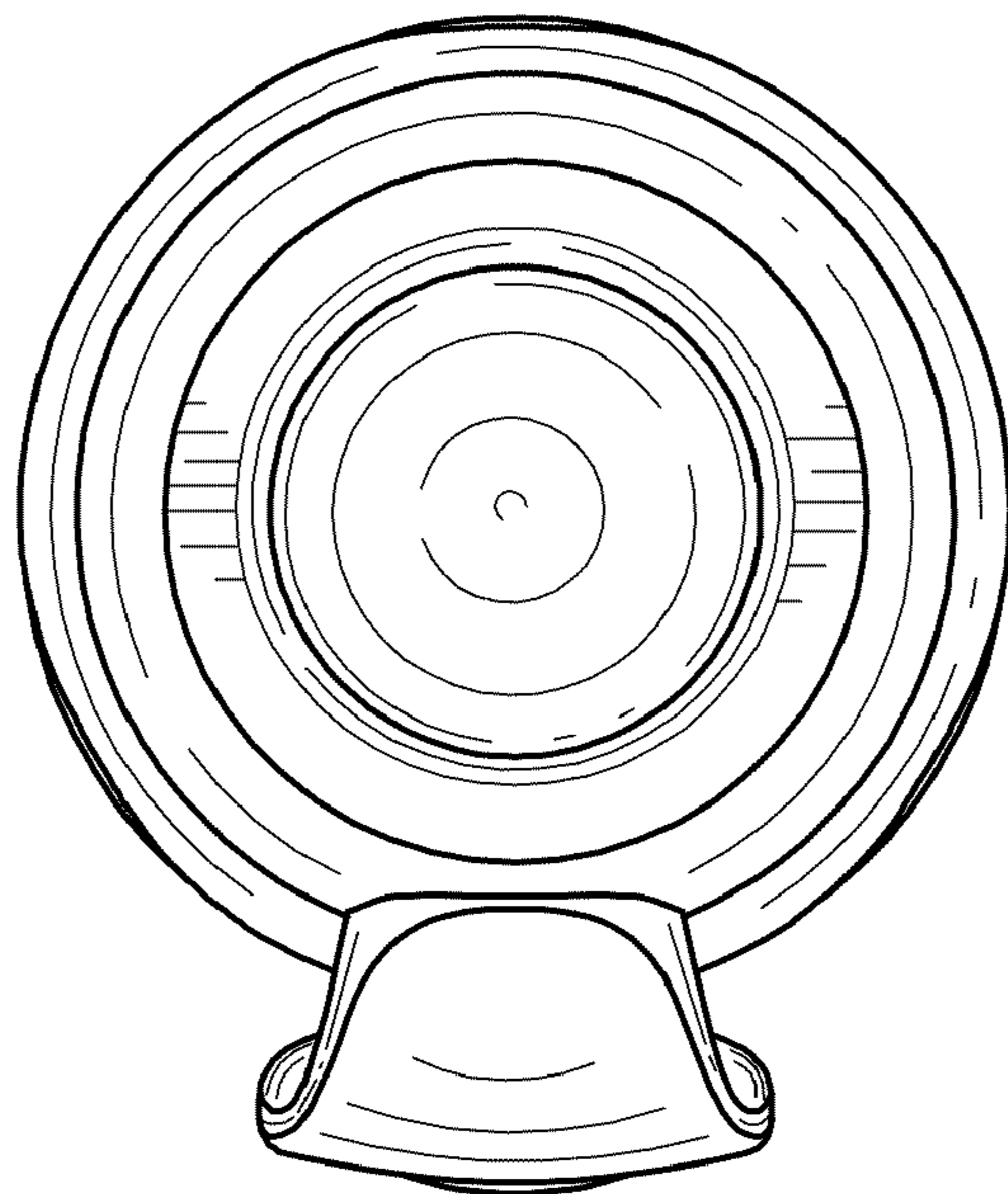


Fig. 5.

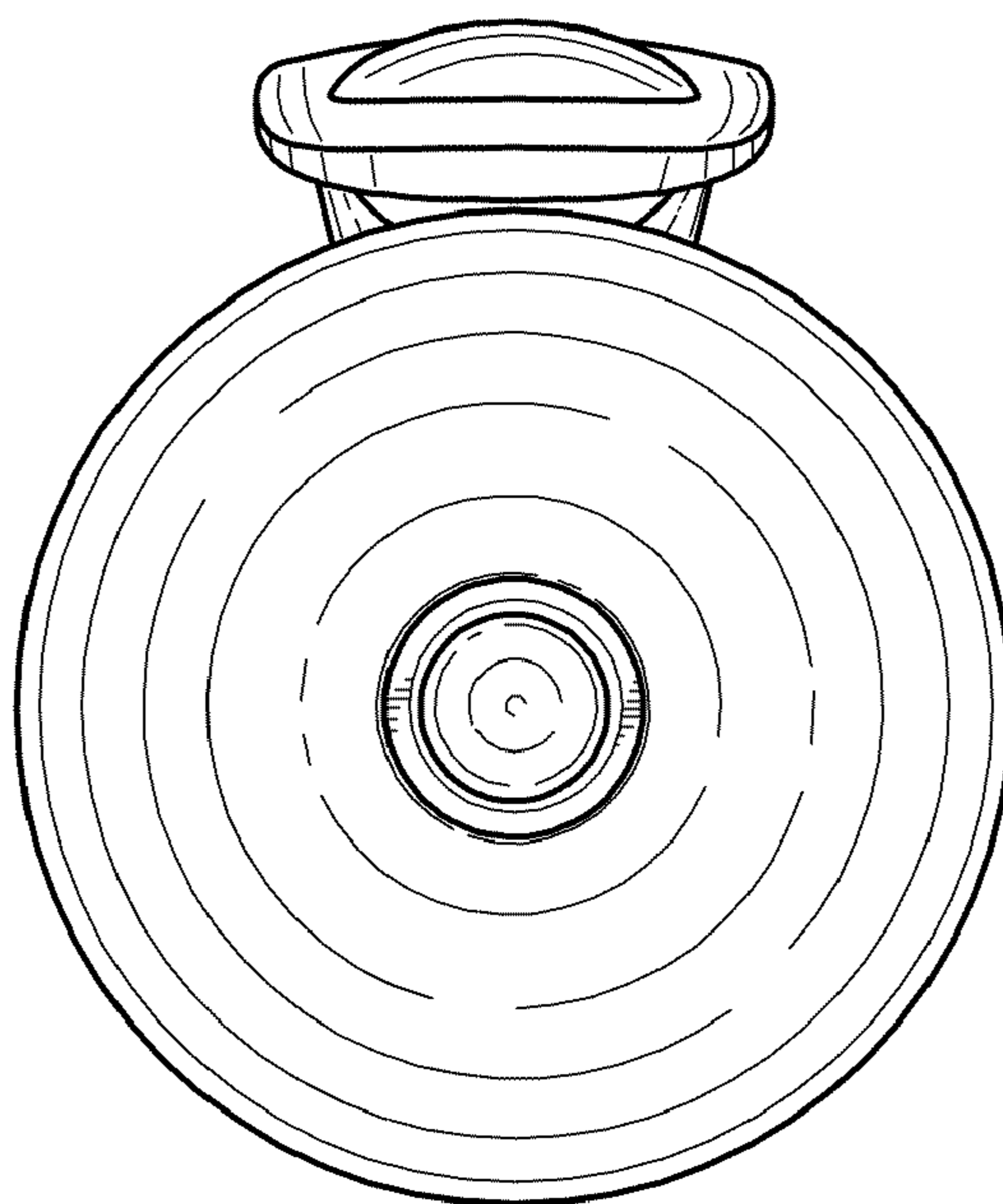


Fig. 6.