



US00D651235S

(12) **United States Design Patent**
Fan

(10) **Patent No.:** **US D651,235 S**

(45) **Date of Patent:** **** Dec. 27, 2011**

(54) **PAPER TRAY ON PRINTER**

(75) Inventor: **Chen-Lu Fan**, Taipei Hsien (TW)

(73) Assignee: **Hon Hai Precision Industry Co., Ltd.**,
Tu-Cheng, New Taipei (TW)

(**) Term: **14 Years**

(21) Appl. No.: **29/380,360**

(22) Filed: **Dec. 3, 2010**

(51) **LOC (9) Cl.** **18-99**

(52) **U.S. Cl.** **D18/49**

(58) **Field of Classification Search** D18/36-41,
D18/44-56; 222/DIG. 1; 271/3.14, 8.1,
271/226, 278; 355/97, 99; 358/1.1; 399/1-7,
399/16, 75, 81, 107, 130, 151, 361, 365,
399/367, 381-383, 388

See application file for complete search history.

(56) **References Cited**

U.S. PATENT DOCUMENTS

D167,463	S	*	8/1952	Johnson	D18/49
D319,472	S	*	8/1991	Clyburn	D18/49
D421,768	S	*	3/2000	Blair et al.	D18/50
D439,606	S	*	3/2001	Suzuki et al.	D18/49
D450,742	S	*	11/2001	Heinz	D18/49
D450,743	S	*	11/2001	Heinz	D18/49

D465,801	S	*	11/2002	Falk et al.	D18/39
D477,019	S	*	7/2003	Dwyer et al.	D18/55
D501,503	S	*	2/2005	Leong et al.	D18/55
D544,529	S	*	6/2007	Takahashi et al.	D18/47
2005/0111895	A1	*	5/2005	Bowen et al.	399/383
2008/0080915	A1	*	4/2008	Ito	399/361

* cited by examiner

Primary Examiner — Garth Rademaker

(74) *Attorney, Agent, or Firm* — Altis Law Group, Inc.

(57) **CLAIM**

The ornamental design for a paper tray on printer, as shown and described.

DESCRIPTION

FIG. 1 is a perspective view of a paper tray on printer showing my new design;

FIG. 2 is a front elevational view thereof;

FIG. 3 is a rear elevational view thereof;

FIG. 4 is a left side elevational view thereof;

FIG. 5 is a right side elevational view thereof;

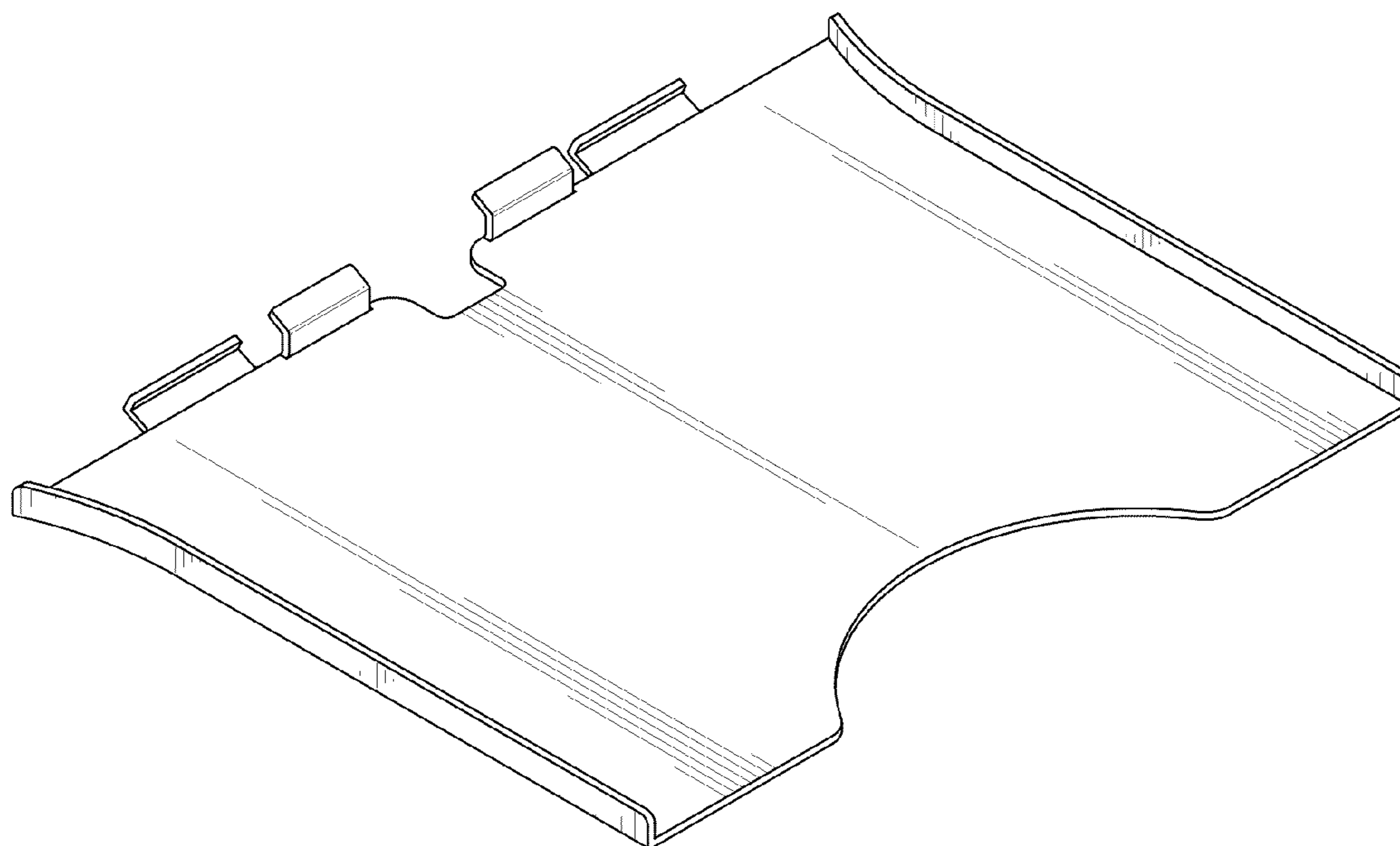
FIG. 6 is a top plan view thereof;

FIG. 7 is a bottom plan view thereof; and,

FIG. 8 is a perspective view thereof.

The broken lines showing of portions of the paper tray on printer are for the purpose of illustrating environmental structure and form no part of the claimed design.

1 Claim, 8 Drawing Sheets



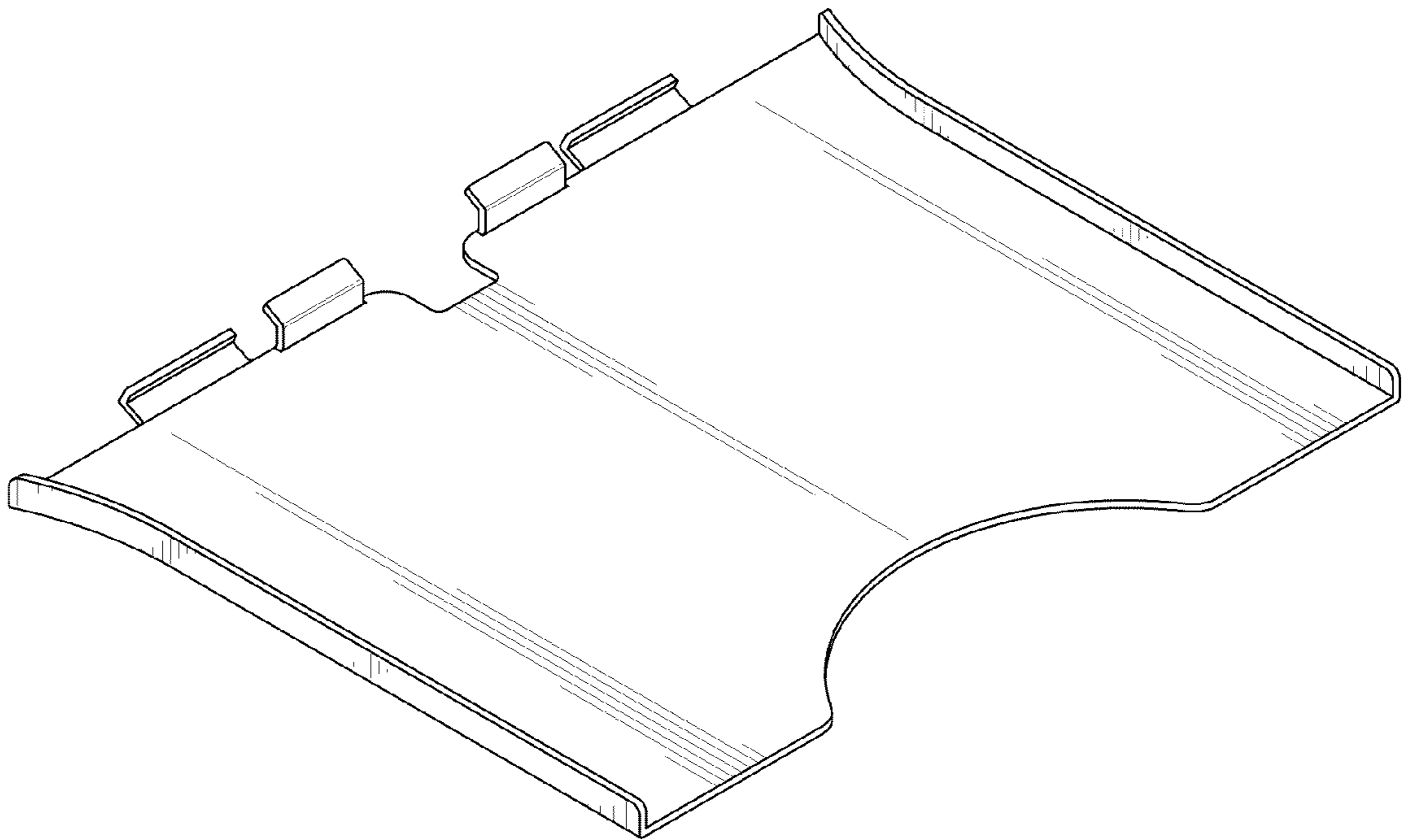


FIG. 1



FIG. 2

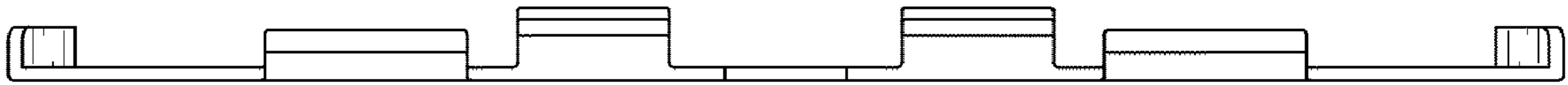


FIG. 3

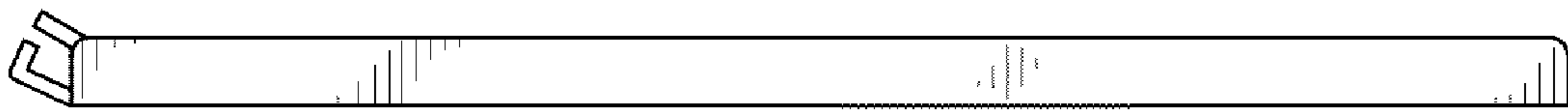


FIG. 4

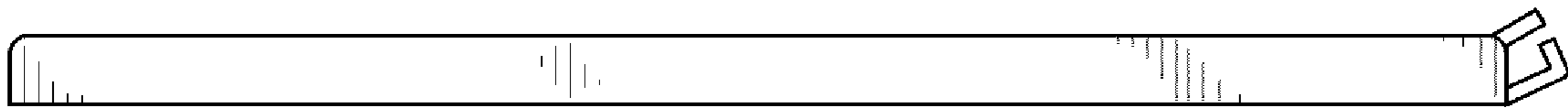


FIG. 5

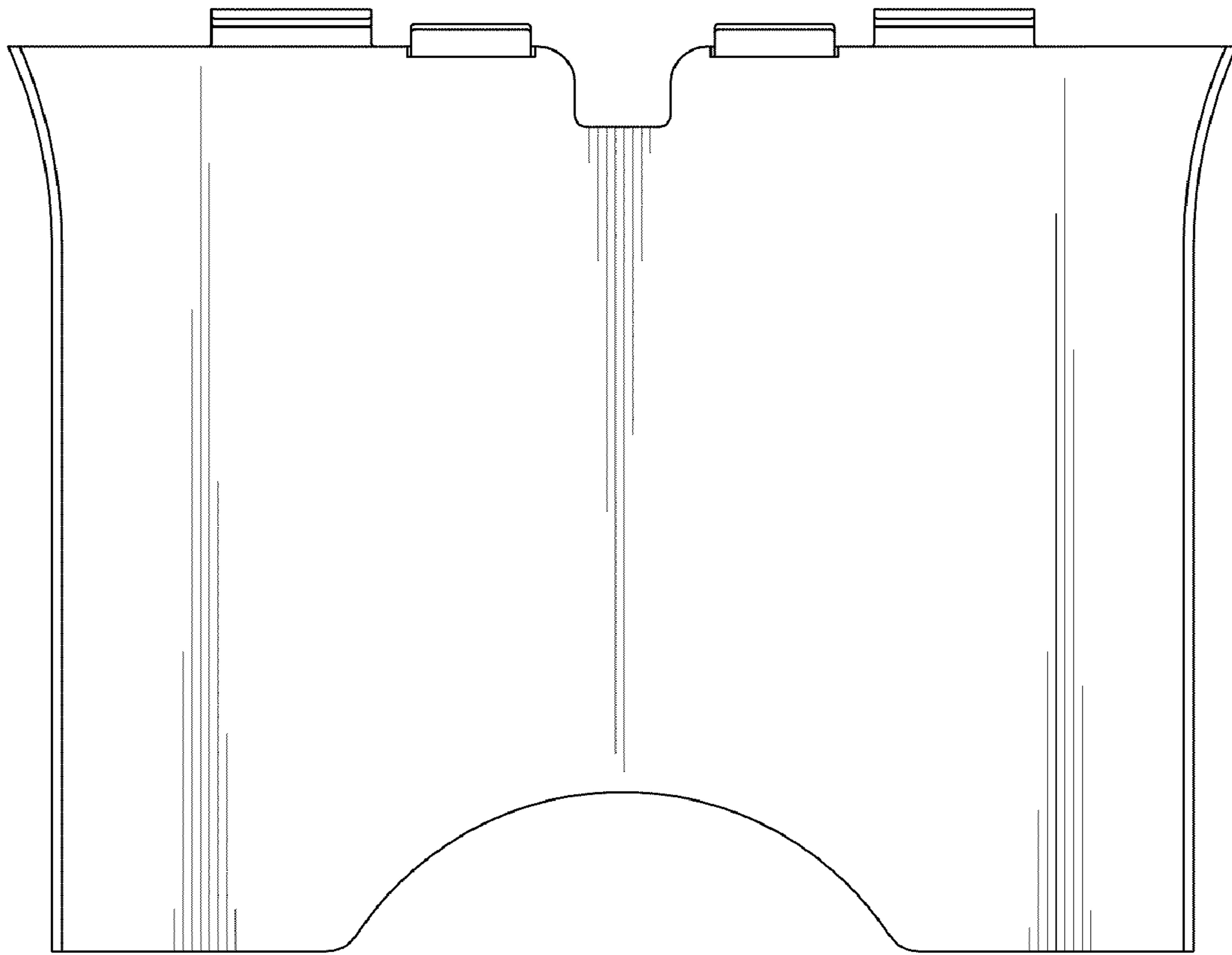


FIG. 6

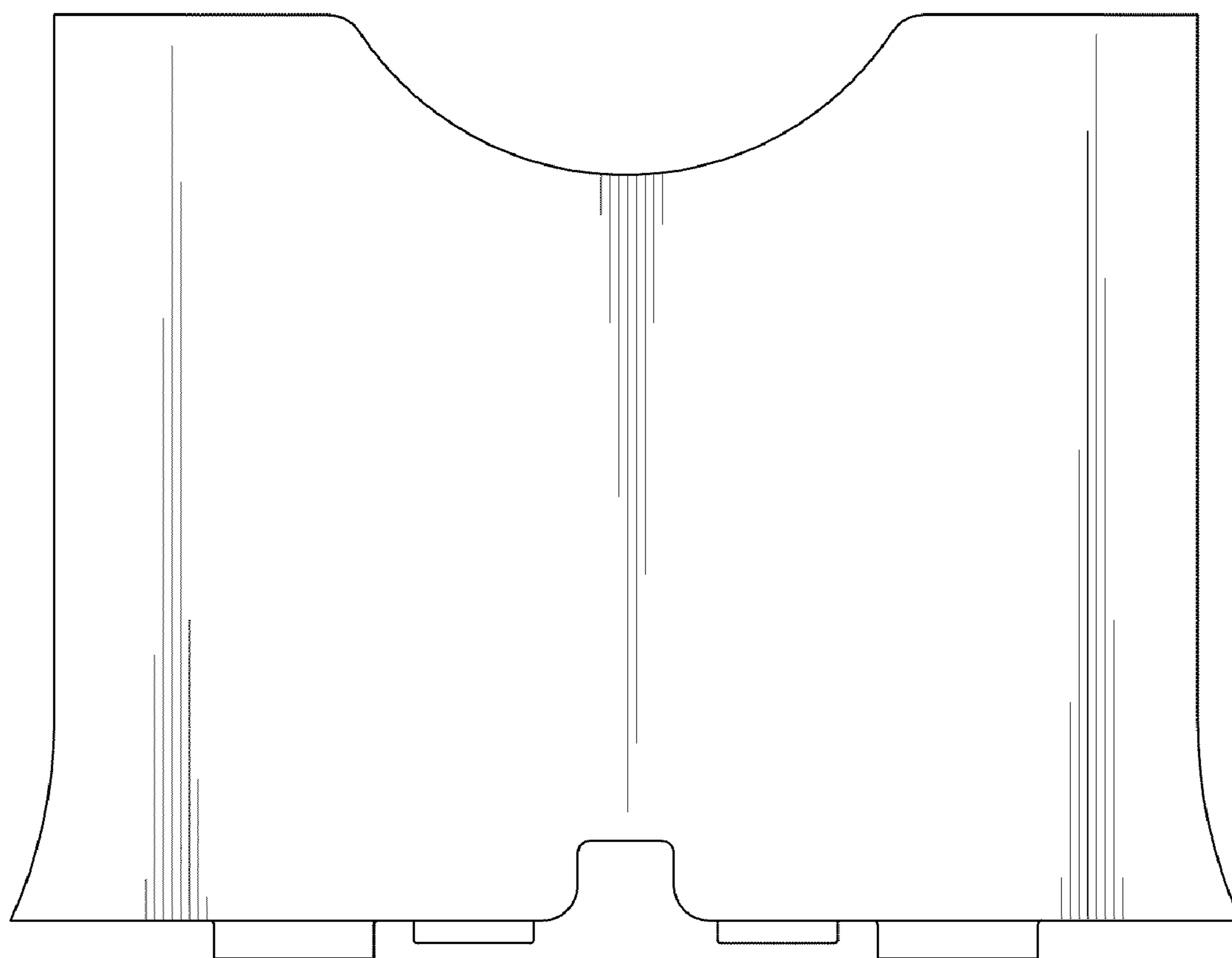


FIG. 7

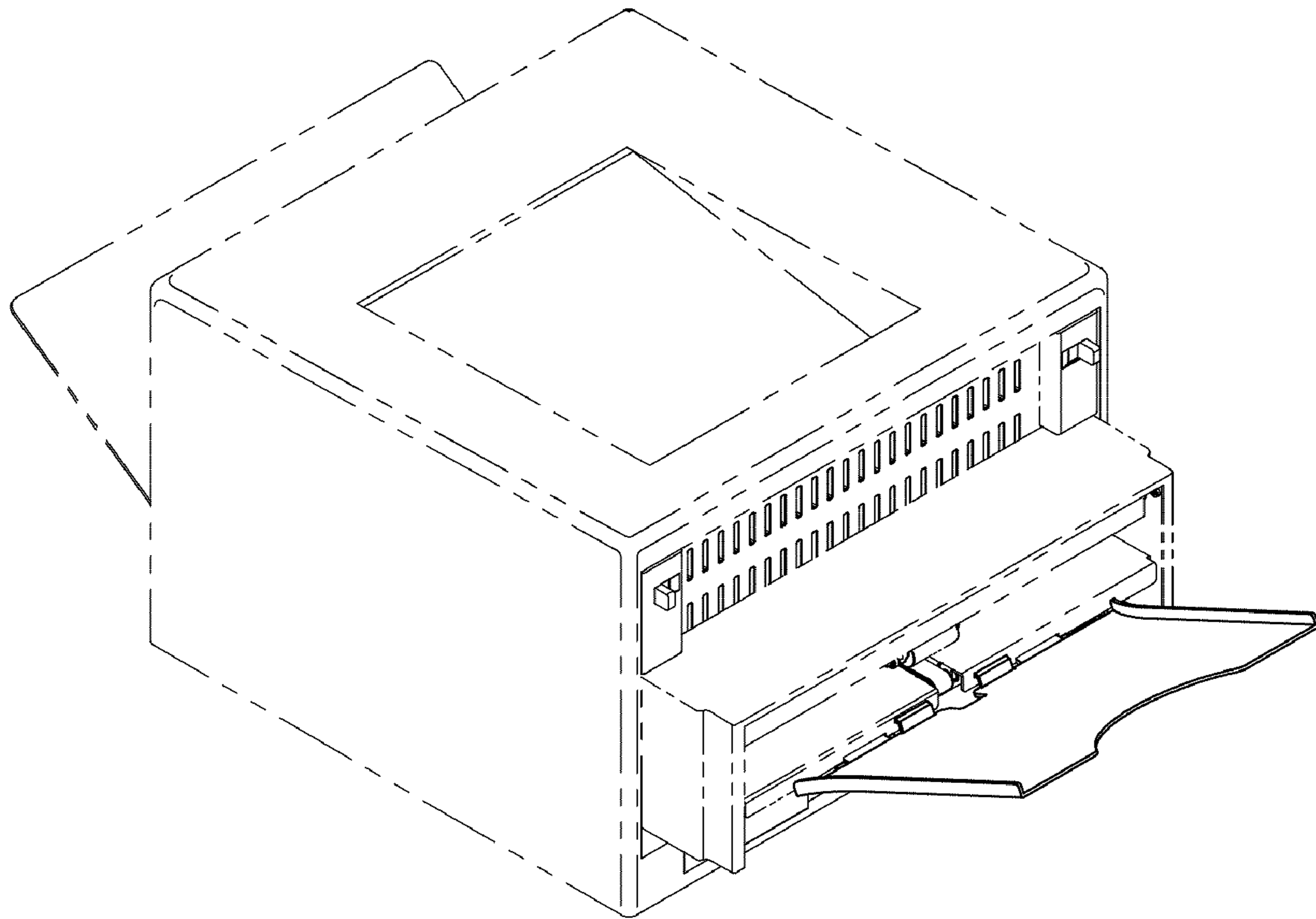


FIG. 8