

US00D651233S

(12) **United States Design Patent**
Bower

(10) **Patent No.:** **US D651,233 S**

(45) **Date of Patent:** **** Dec. 27, 2011**

(54) **GUITAR SLIDE**

(76) Inventor: **Darin Bower**, Lee's Summit, MO (US)

(**) Term: **14 Years**

(21) Appl. No.: **29/387,169**

(22) Filed: **Mar. 9, 2011**

(51) **LOC (9) Cl.** **17-03**

(52) **U.S. Cl.** **D17/20**

(58) **Field of Classification Search** D17/20,
D17/99; 84/315, 318, 319, 453
See application file for complete search history.

(56) **References Cited**

U.S. PATENT DOCUMENTS

2,073,331	A *	3/1937	Allen	84/319
2,248,542	A *	7/1941	McDaniel et al.	84/319
2,466,344	A *	4/1949	Wright	84/319
3,822,629	A *	7/1974	Smith	84/319
3,854,368	A *	12/1974	Pogan	84/319
4,817,488	A *	4/1989	de los Santos	84/319
D360,647	S *	7/1995	Jimenez	D17/20
5,981,856	A *	11/1999	Story	84/319
6,111,177	A *	8/2000	Pattillo	84/315

OTHER PUBLICATIONS

Dobro Guitar. <http://www.dobroguitar.org/for-sale/stews-steel-guitar-slide-tone-bar-dobro-custom-sp1/105/>. Copyright 2011. "“Stew’s” Stainless Steel Tone Bar”.*

* cited by examiner

Primary Examiner — Rashida Johnson

(74) *Attorney, Agent, or Firm* — Bryan Cave LLP

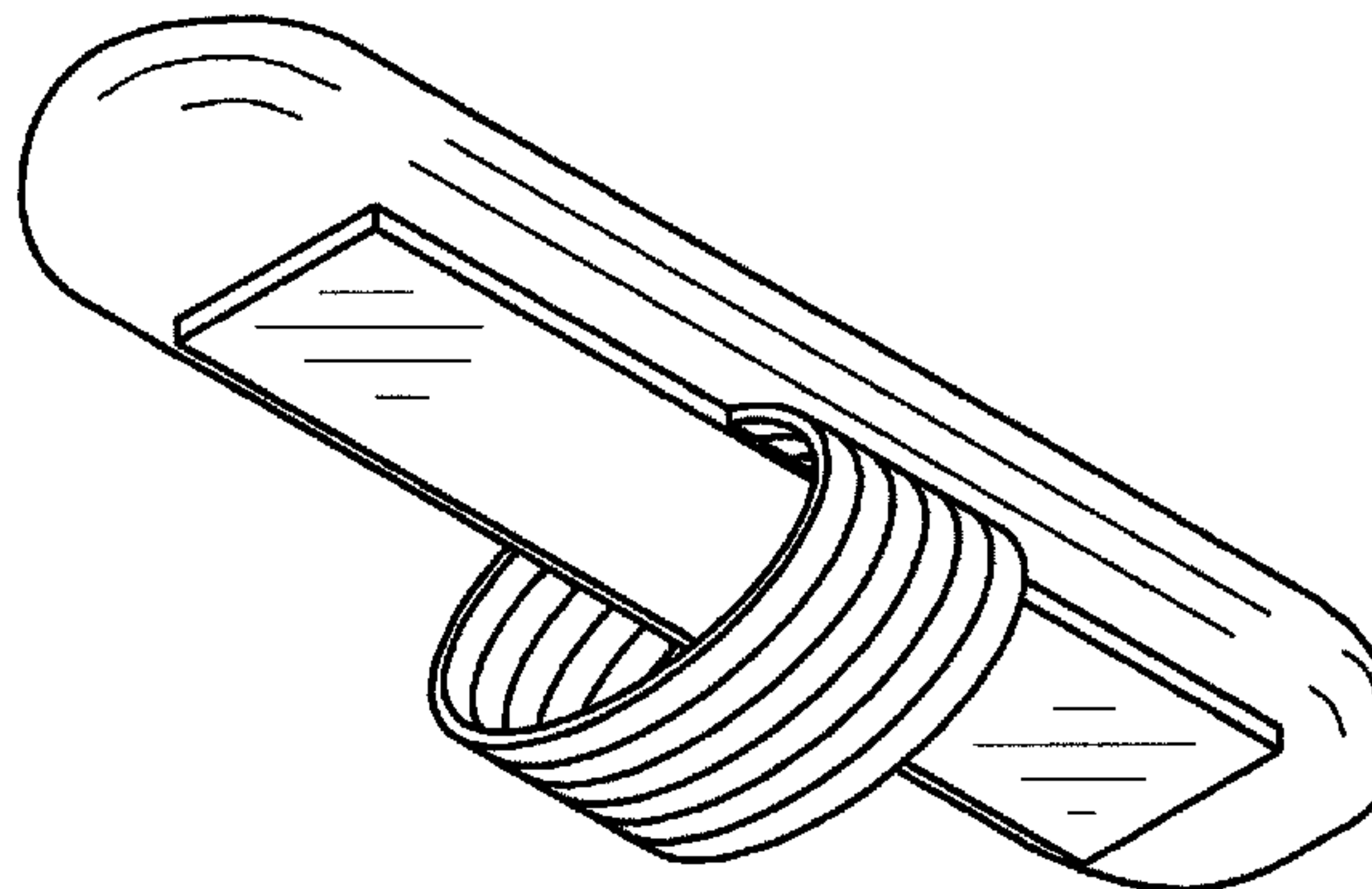
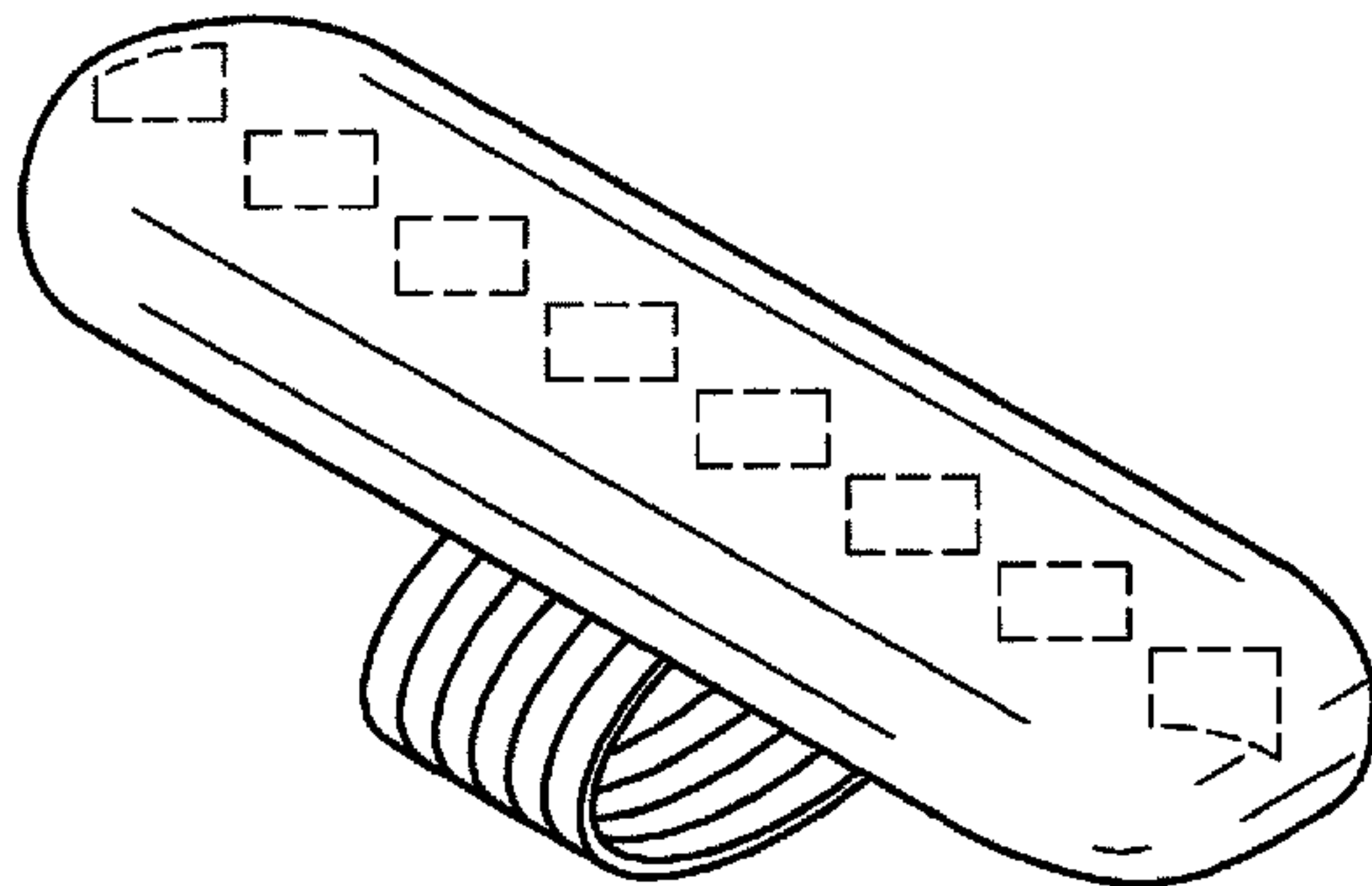
(57) **CLAIM**

I claim the ornamental design for a guitar slide, as shown and described.

DESCRIPTION

FIG. 1 is a top perspective view of the first embodiment of a guitar slide showing my new design;
FIG. 2 is a bottom perspective view thereof;
FIG. 3 is a side view thereof;
FIG. 4 is an end view thereof;
FIG. 5 is a top perspective view of the second embodiment of the guitar slide;
FIG. 6 is a bottom perspective view thereof;
FIG. 7 is a side view thereof; and,
FIG. 8 is an end view thereof.
In FIGS. 1 and 5, the broken lines represent the portions of the guitar slide that form no part of the claimed design.

1 Claim, 4 Drawing Sheets



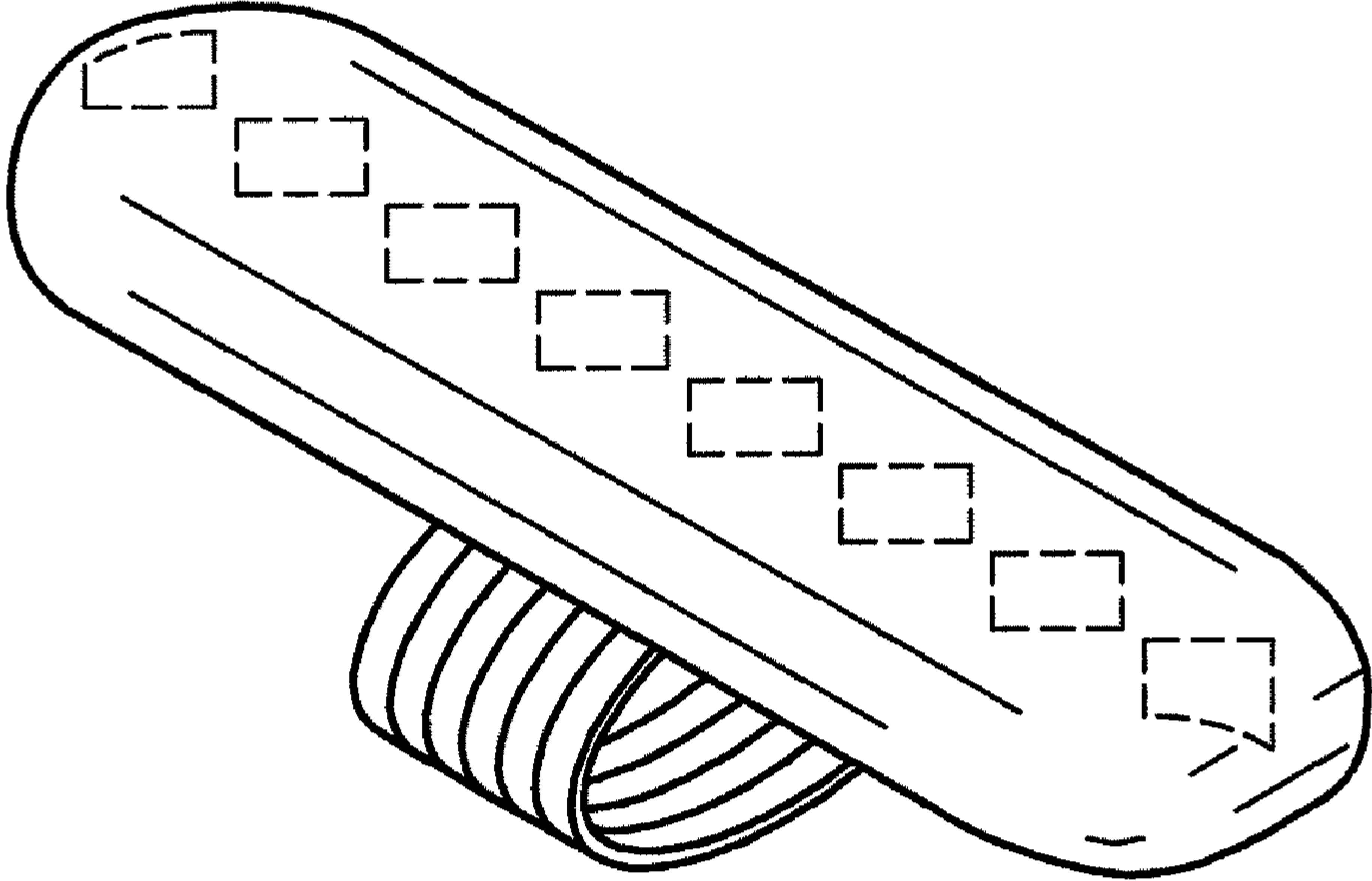


Fig. 1

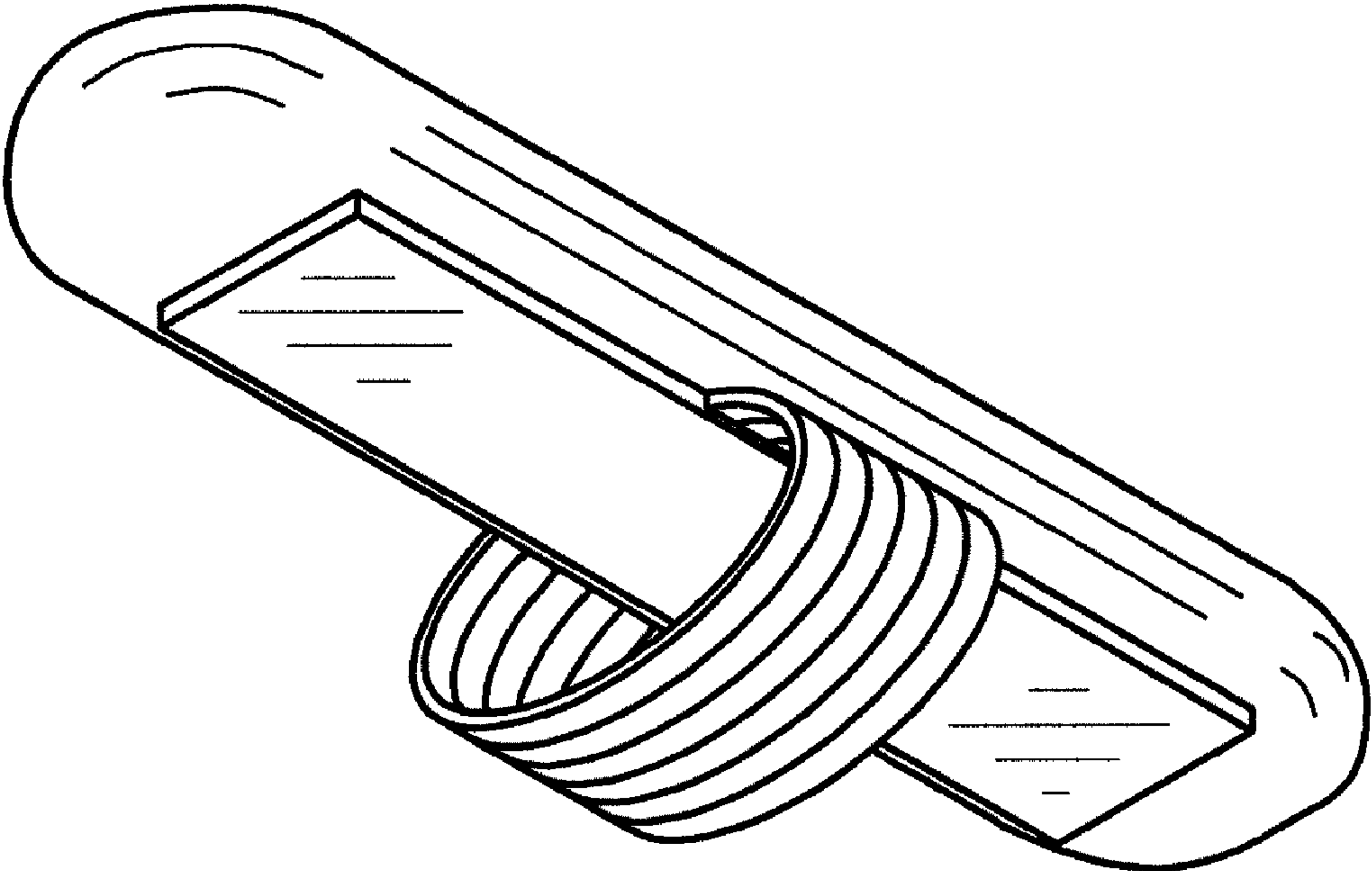


Fig. 2

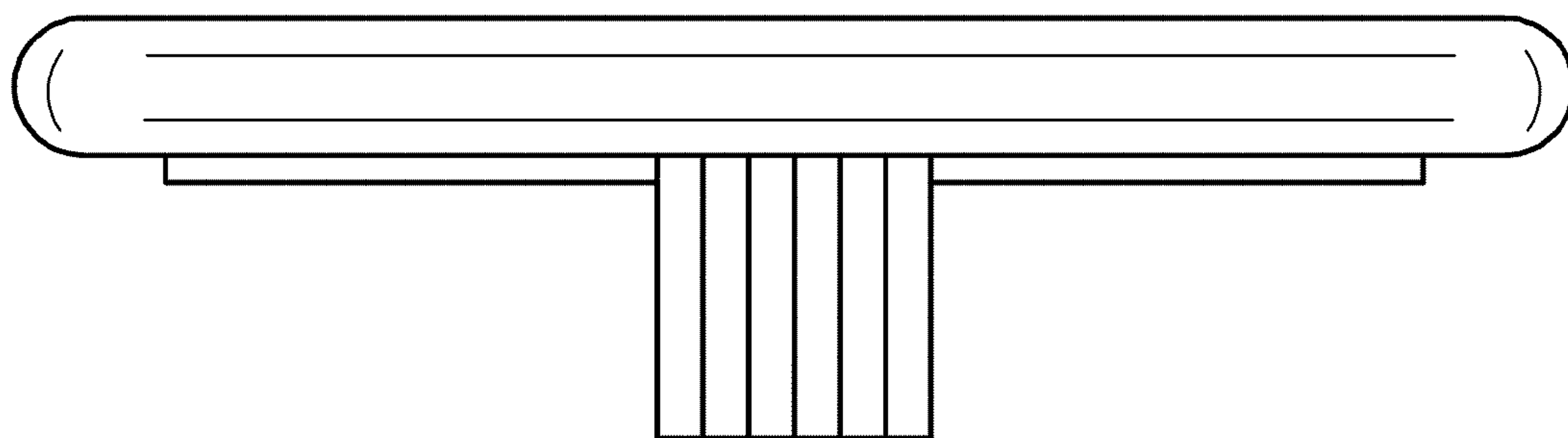


Fig. 3

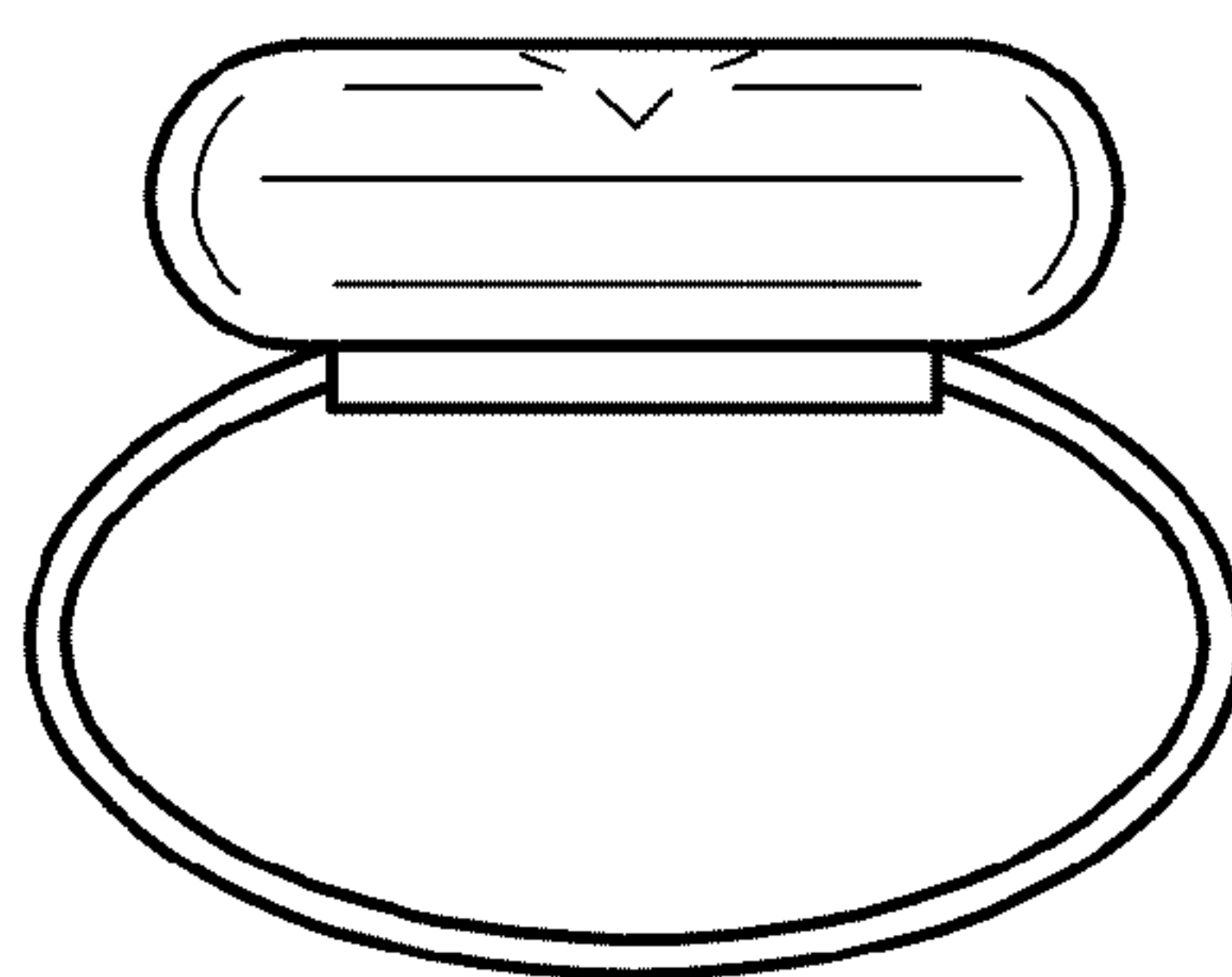


Fig. 4

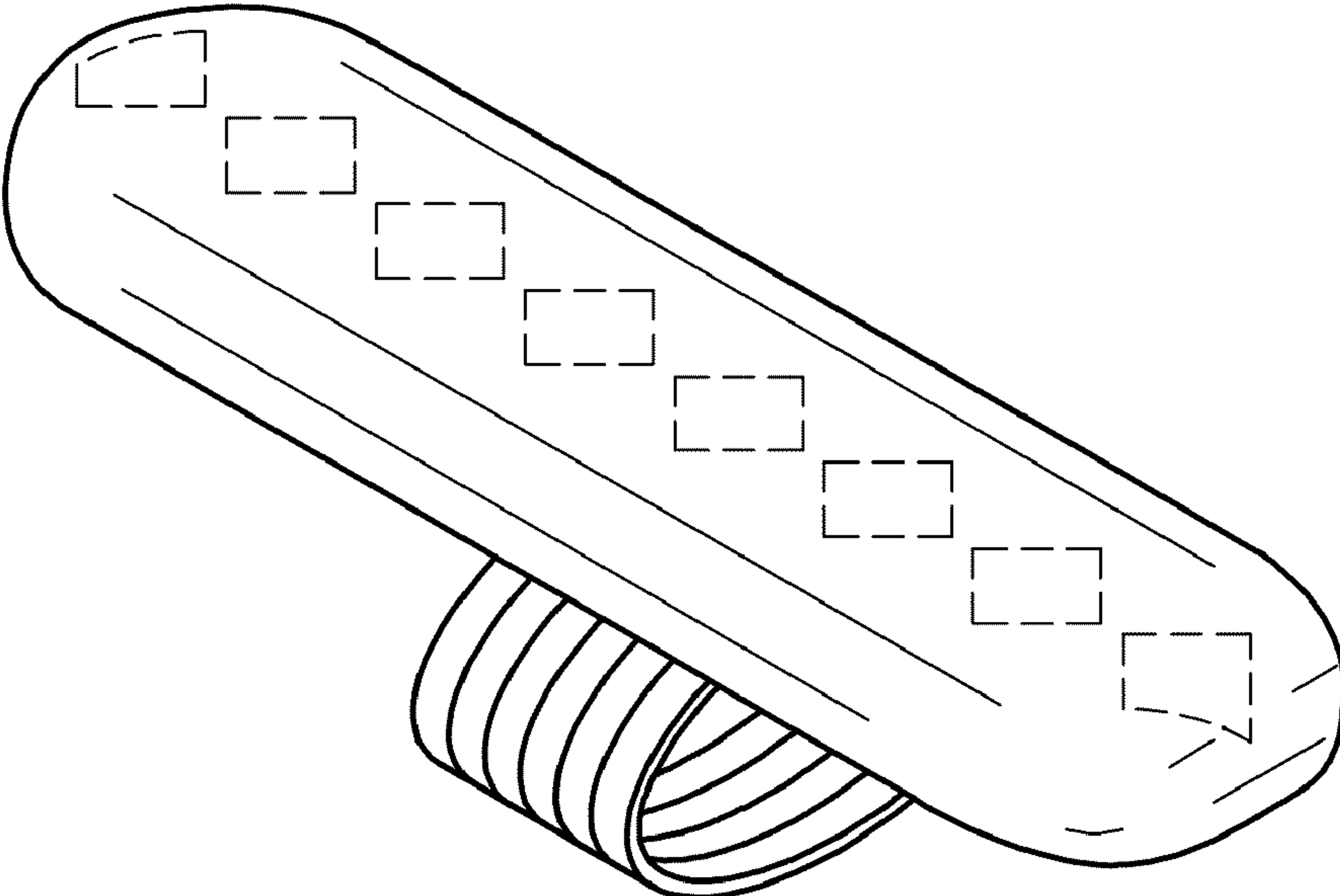


Fig. 5

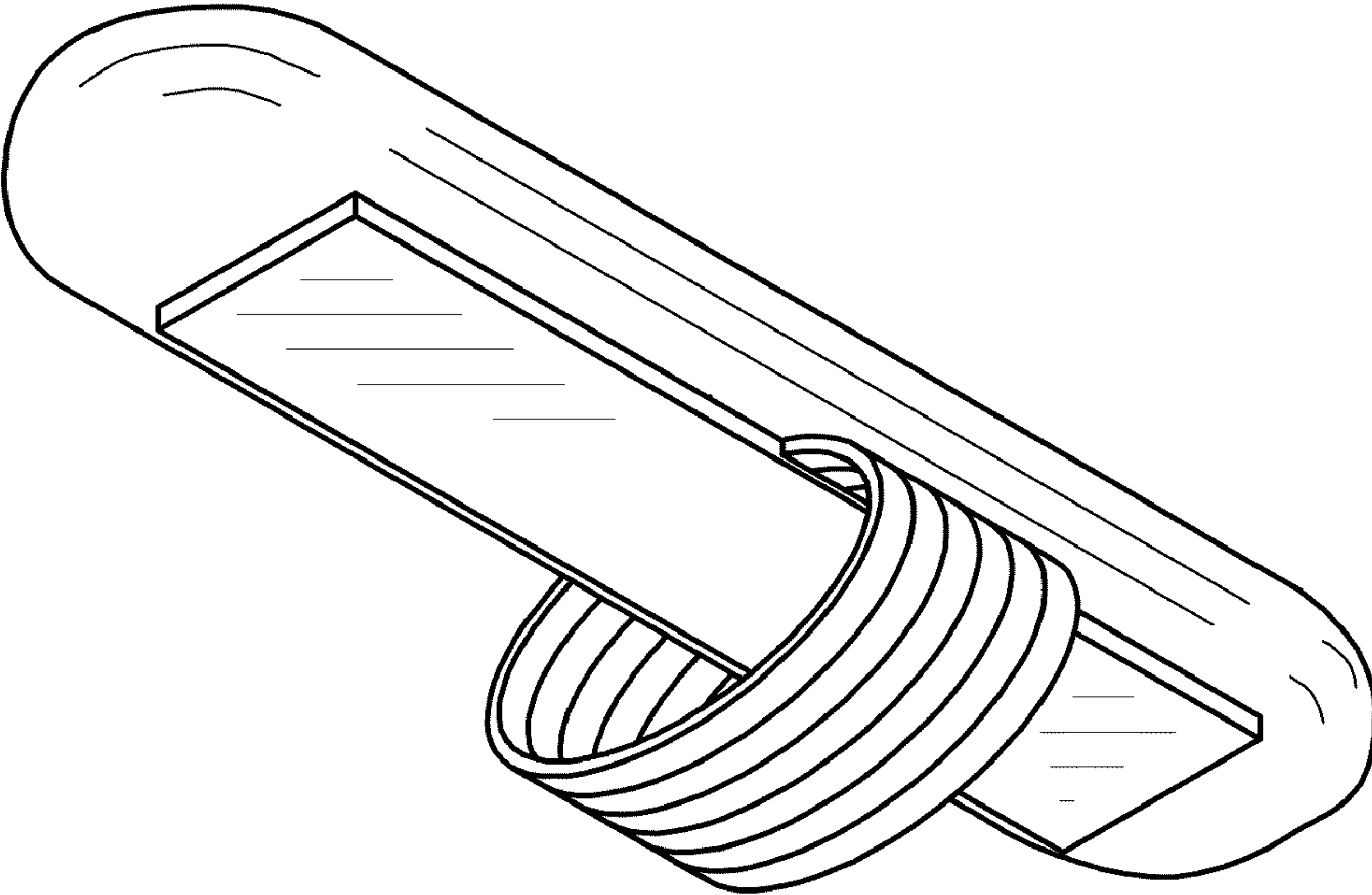


Fig. 6

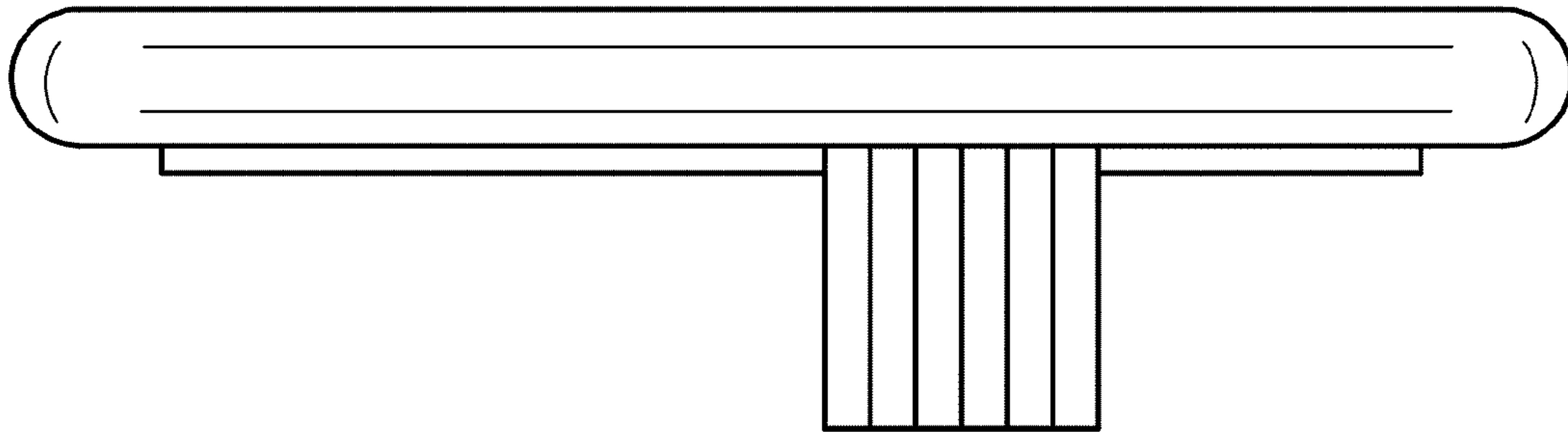


Fig. 7

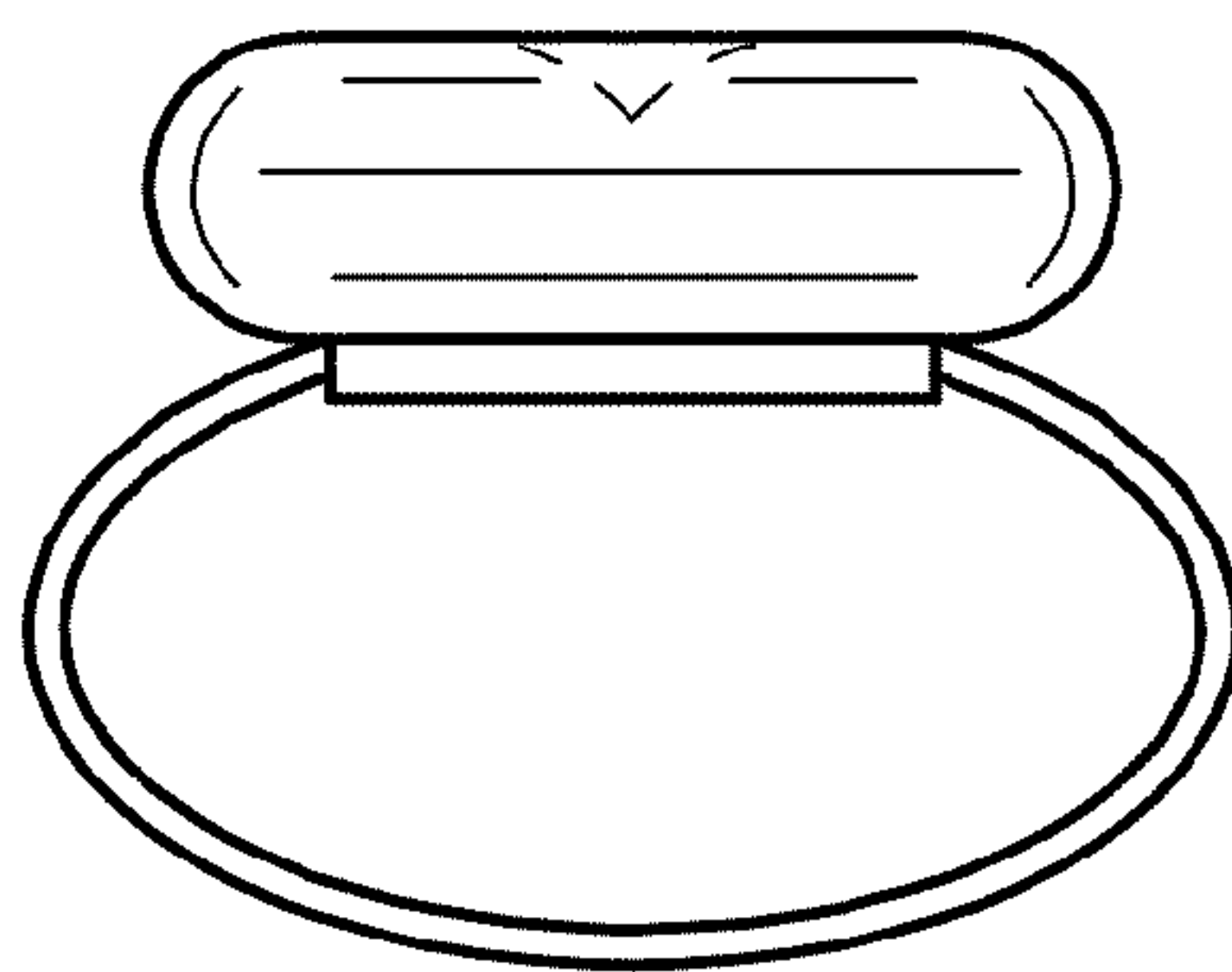


Fig. 8