



US00D651230S

(12) **United States Design Patent**
Tan et al.

(10) **Patent No.:** **US D651,230 S**

(45) **Date of Patent:** **** Dec. 27, 2011**

(54) **WEB CAM WITH STAND**

(75) Inventors: **Xiejun Tan**, Morges (CH); **Carol Wu**,
Morges (CH); **Claire Chen**, Morges
(CH)

(73) Assignee: **Logitech Europe S.A.**, Morges (CH)

(**) Term: **14 Years**

(21) Appl. No.: **29/380,927**

(22) Filed: **Dec. 13, 2010**

(51) **LOC (9) Cl.** **16-01**

(52) **U.S. Cl.** **D16/202; D16/242**

(58) **Field of Classification Search** D16/200–205,
D16/218, 242; 248/121, 187.1; 348/373–376;
396/428, 535–541

See application file for complete search history.

(56) **References Cited**

U.S. PATENT DOCUMENTS

D551,276 S *	9/2007	Lau	D16/202
D579,967 S *	11/2008	Jones et al.	D16/242
D600,730 S *	9/2009	Su	D16/202
D606,106 S *	12/2009	Kim et al.	D16/218
D631,497 S *	1/2011	Han et al.	D16/242
D632,718 S *	2/2011	Tzeng	D16/202
D641,388 S *	7/2011	Shih et al.	D16/202
D641,770 S *	7/2011	Hoehn et al.	D16/242

* cited by examiner

Primary Examiner — Adir Aronovich

(74) *Attorney, Agent, or Firm* — Kilpatrick Townsend &
Stockton LLP

(57) **CLAIM**

The ornamental design for a web cam with stand, as shown
and described.

DESCRIPTION

FIG. 1 is a front perspective view of a web cam with stand
showing our new design;

FIG. 2 is a front elevational view thereof;

FIG. 3 is a rear elevational view thereof;

FIG. 4 is a left side elevational view;

FIG. 5 is a right side elevational view;

FIG. 6 is a bottom plan view thereof;

FIG. 7 is a top plan view thereof;

FIG. 8 is front perspective view of the web cam with stand in
an unfolded position;

FIG. 9 is a front elevational view thereof;

FIG. 10 is a rear elevational view thereof;

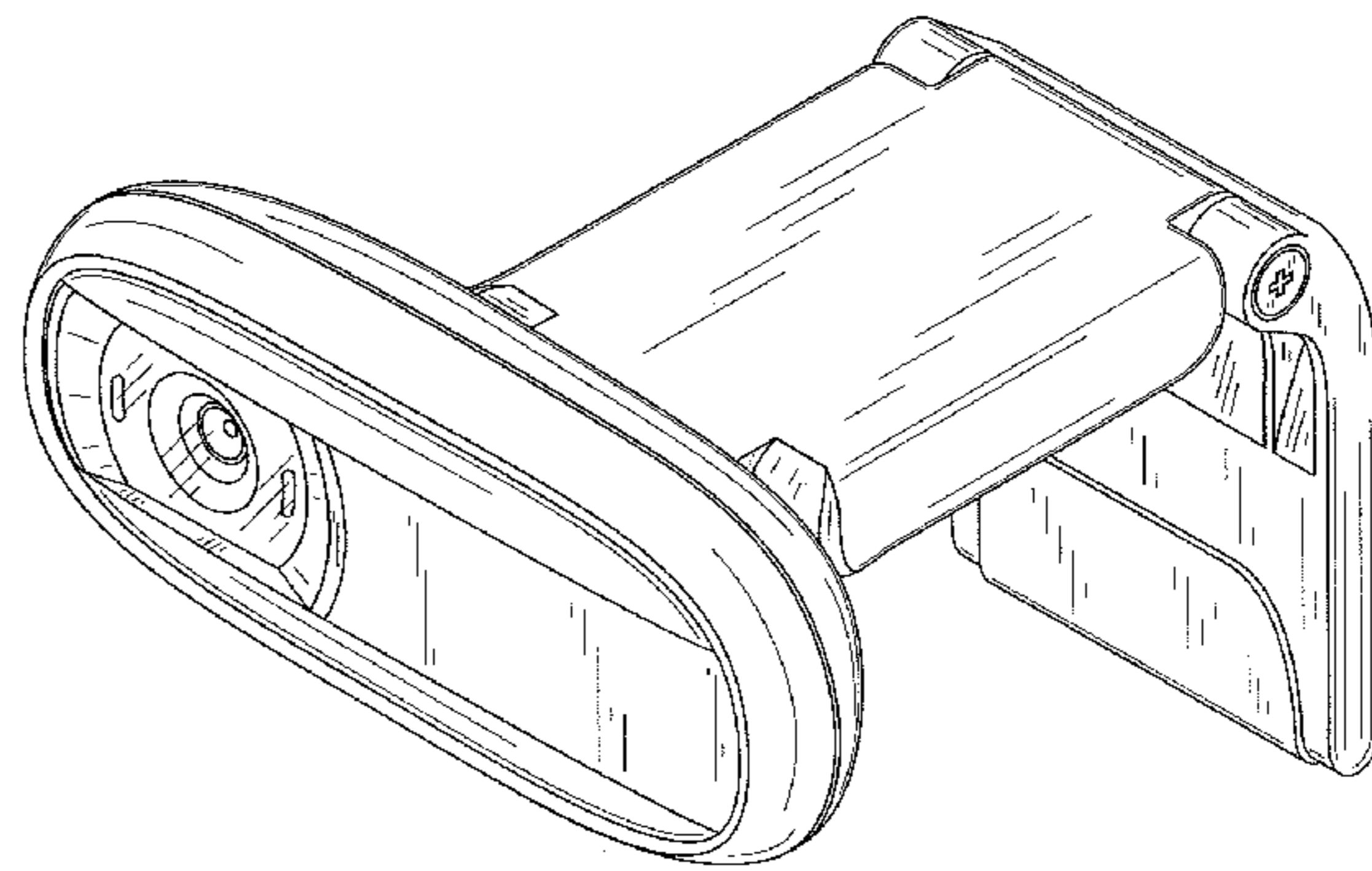
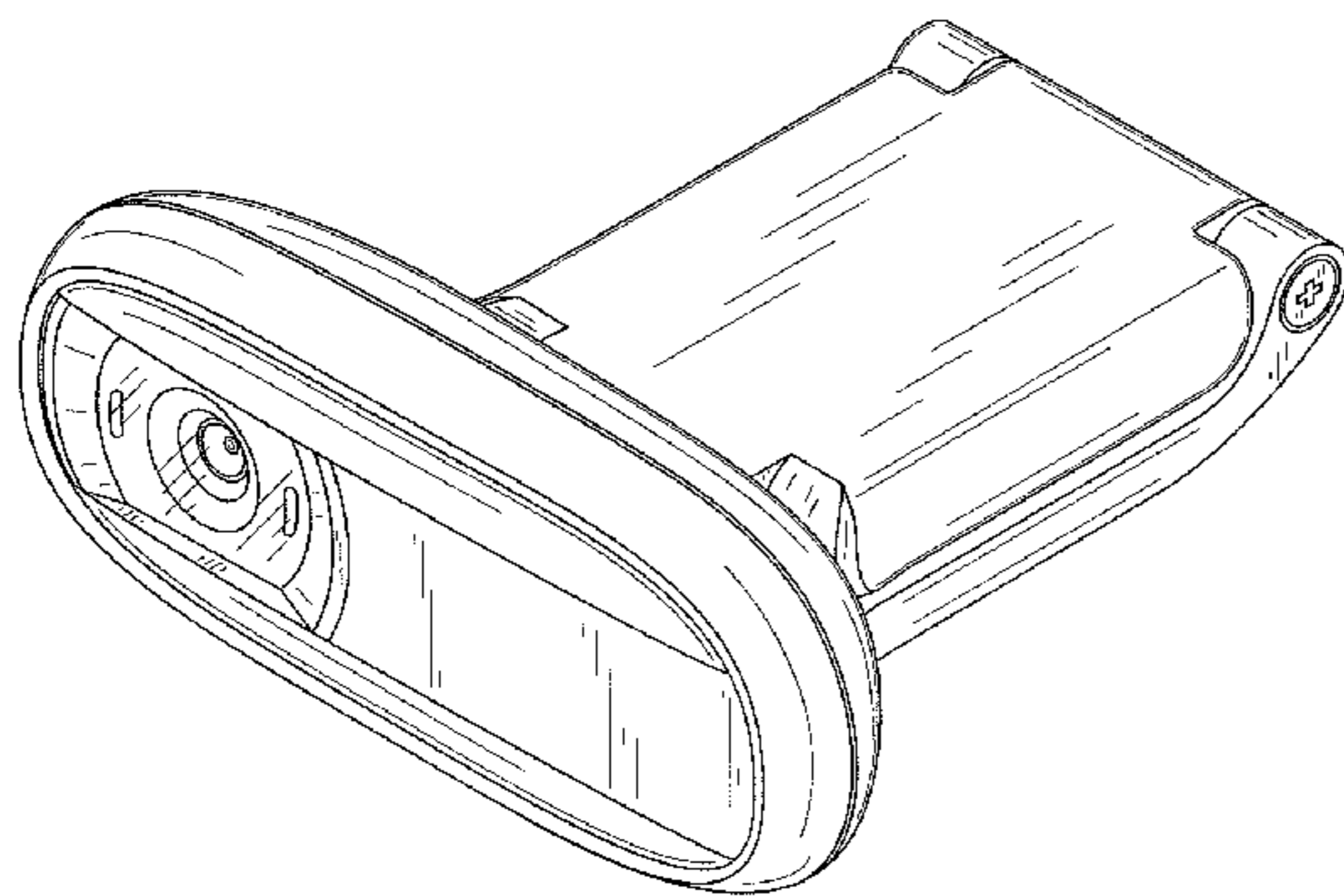
FIG. 11 is a left side elevational view;

FIG. 12 is a right side elevational view;

FIG. 13 a bottom plan view thereof; and,

FIG. 14 a top plan view thereof.

1 Claim, 8 Drawing Sheets



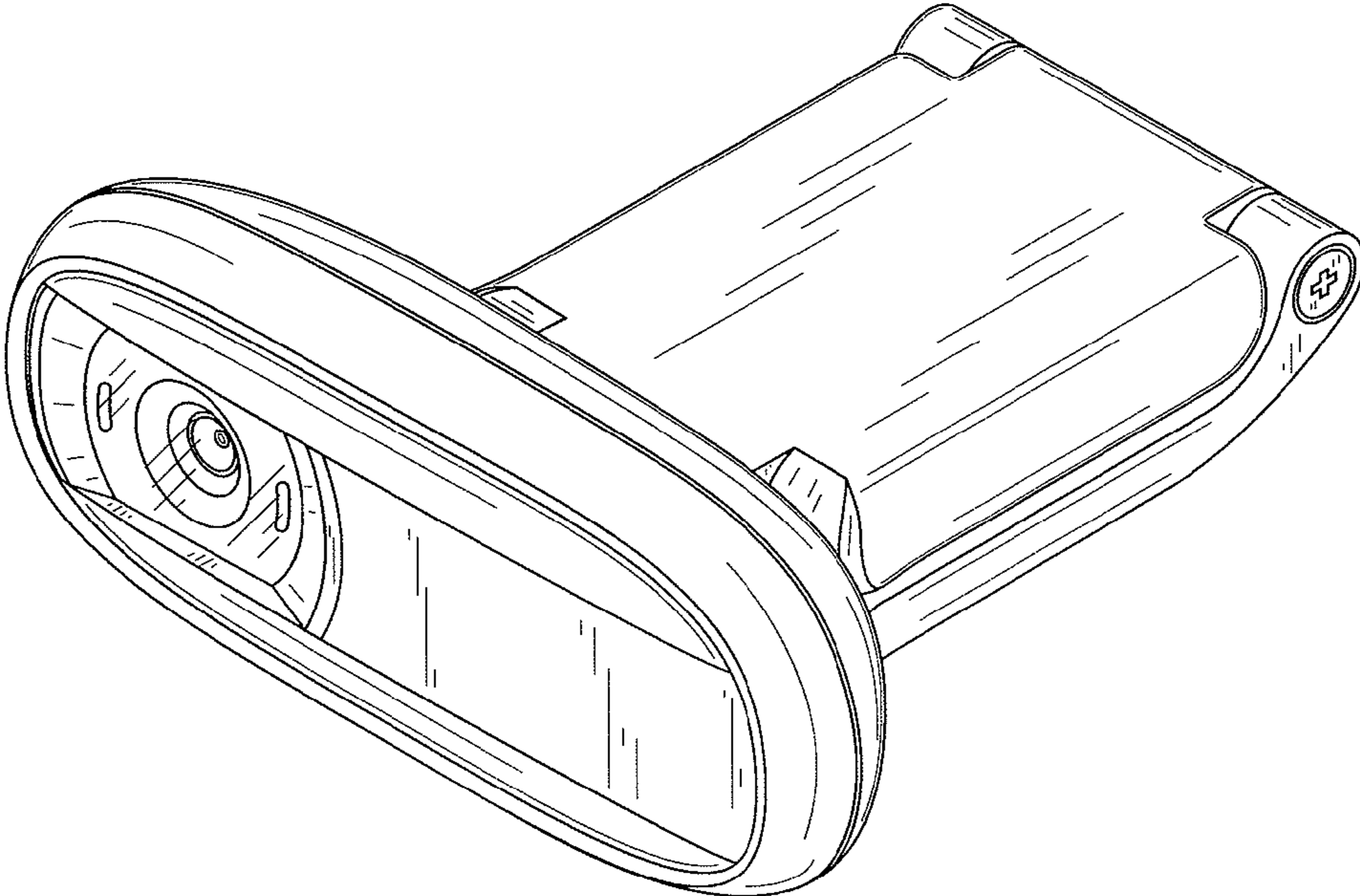


FIG. 1

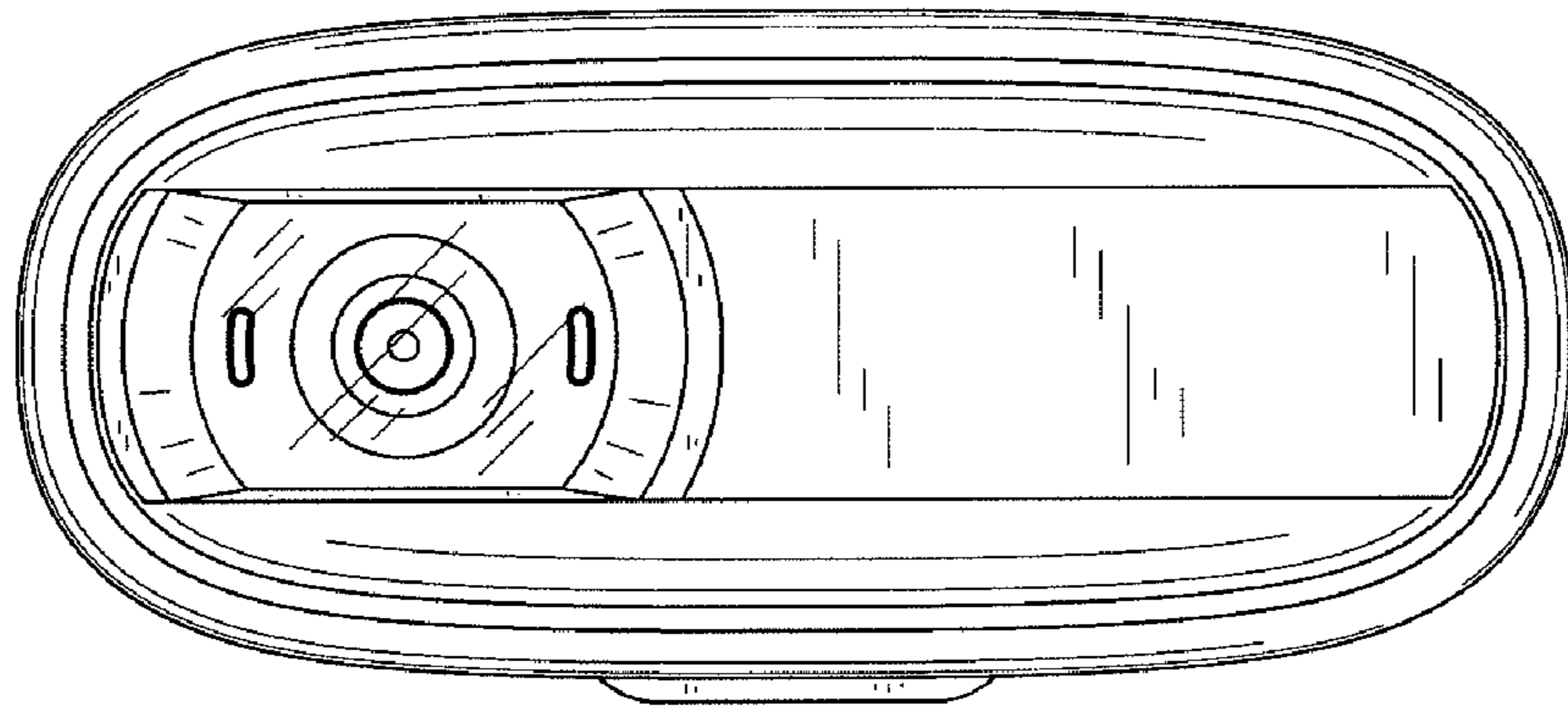


FIG. 2

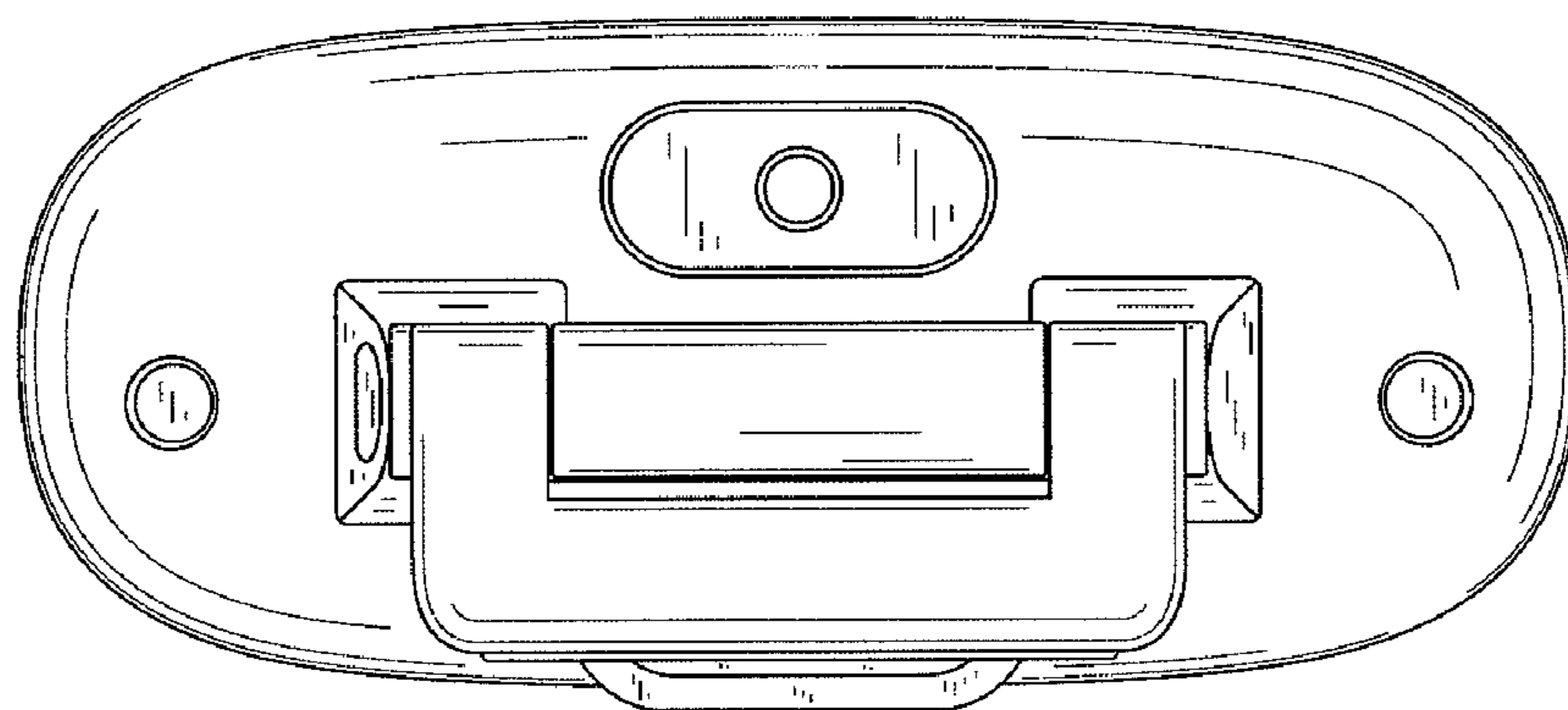


FIG. 3

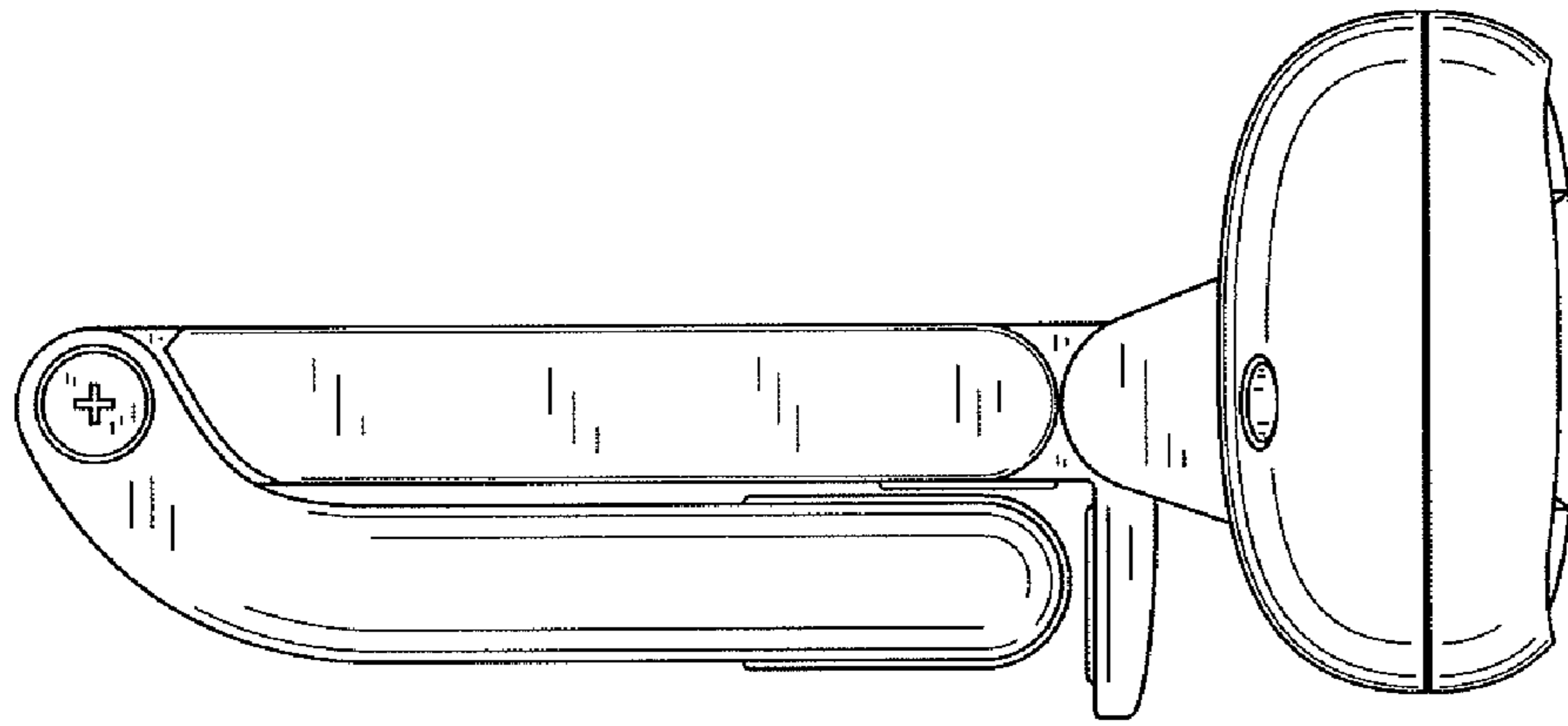


FIG. 4

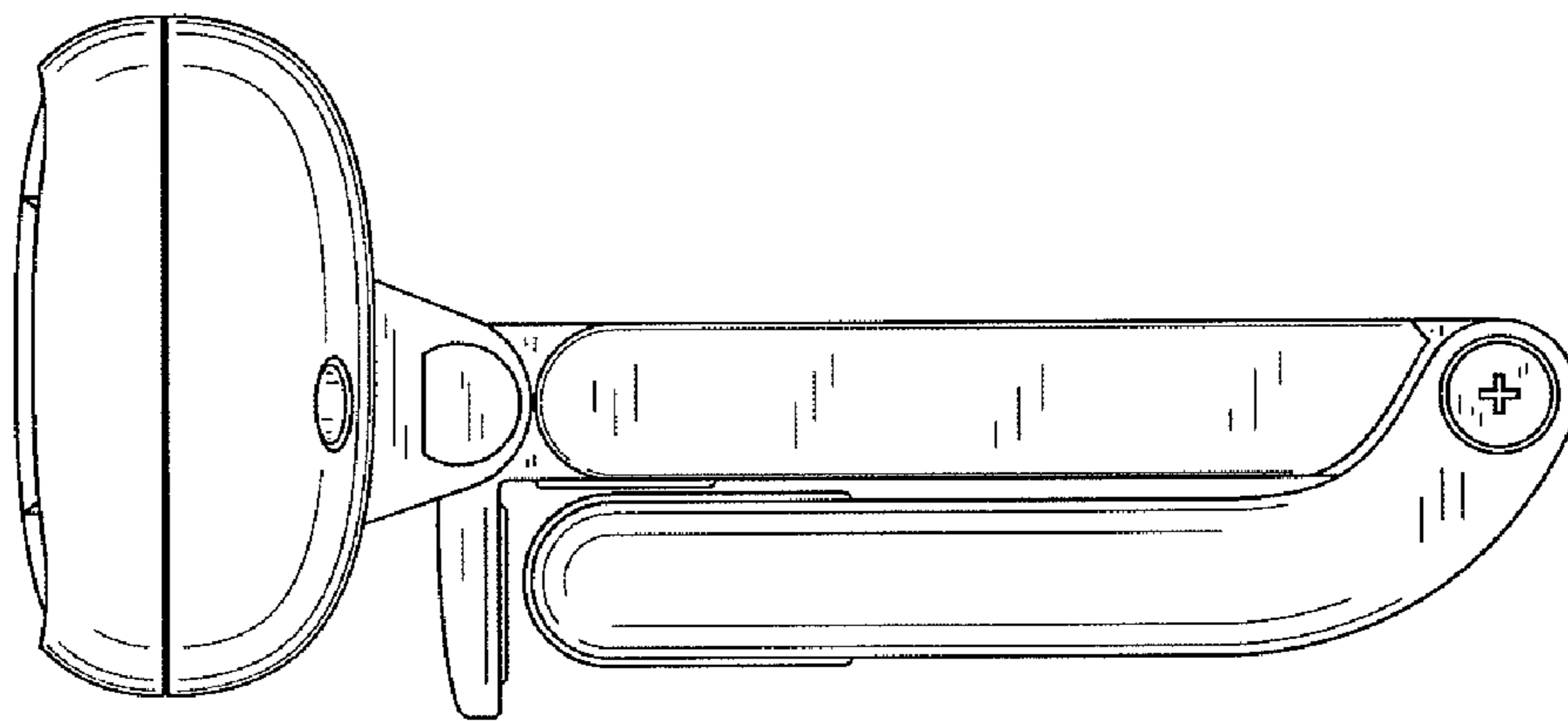


FIG. 5

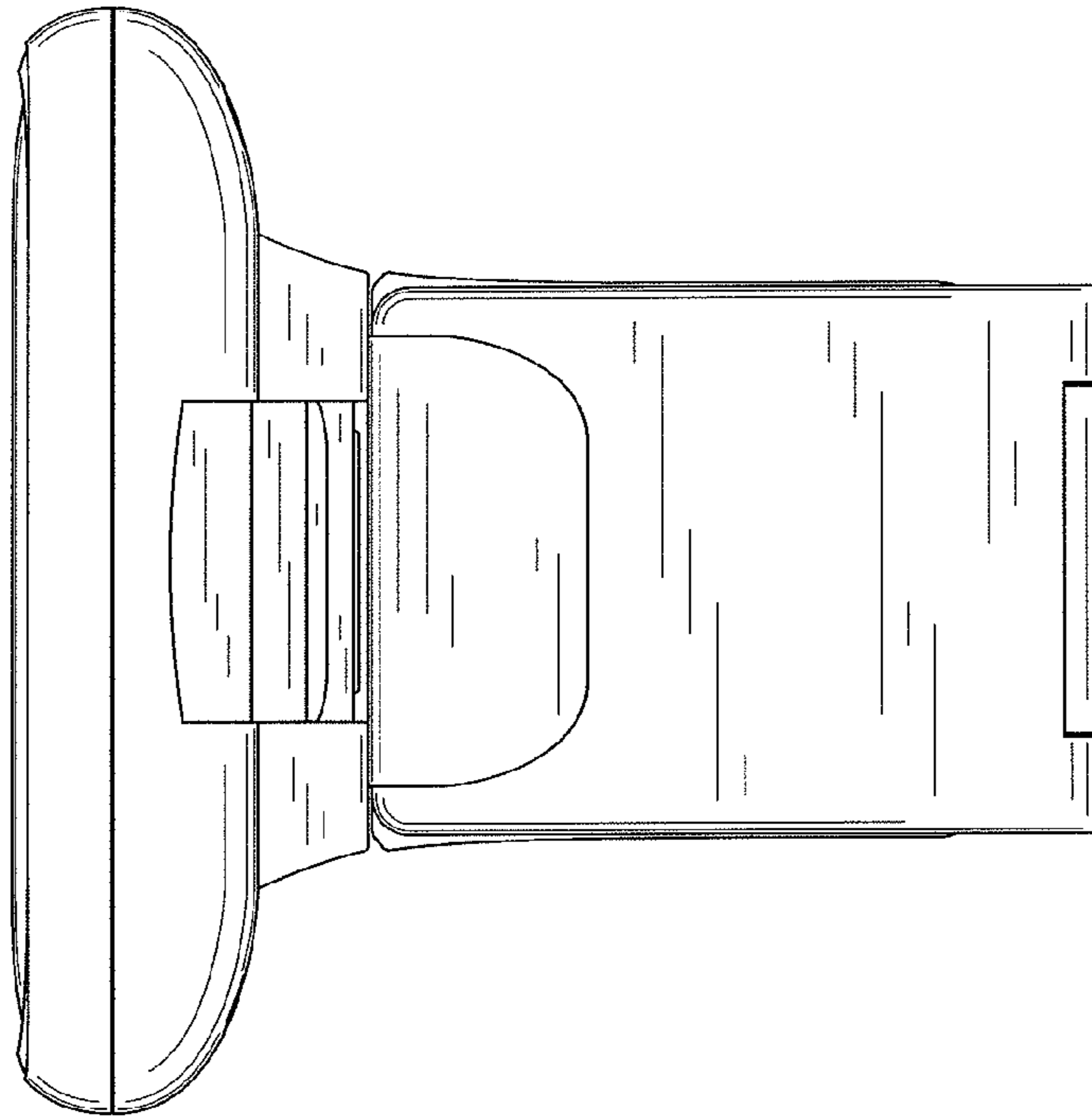


FIG. 6

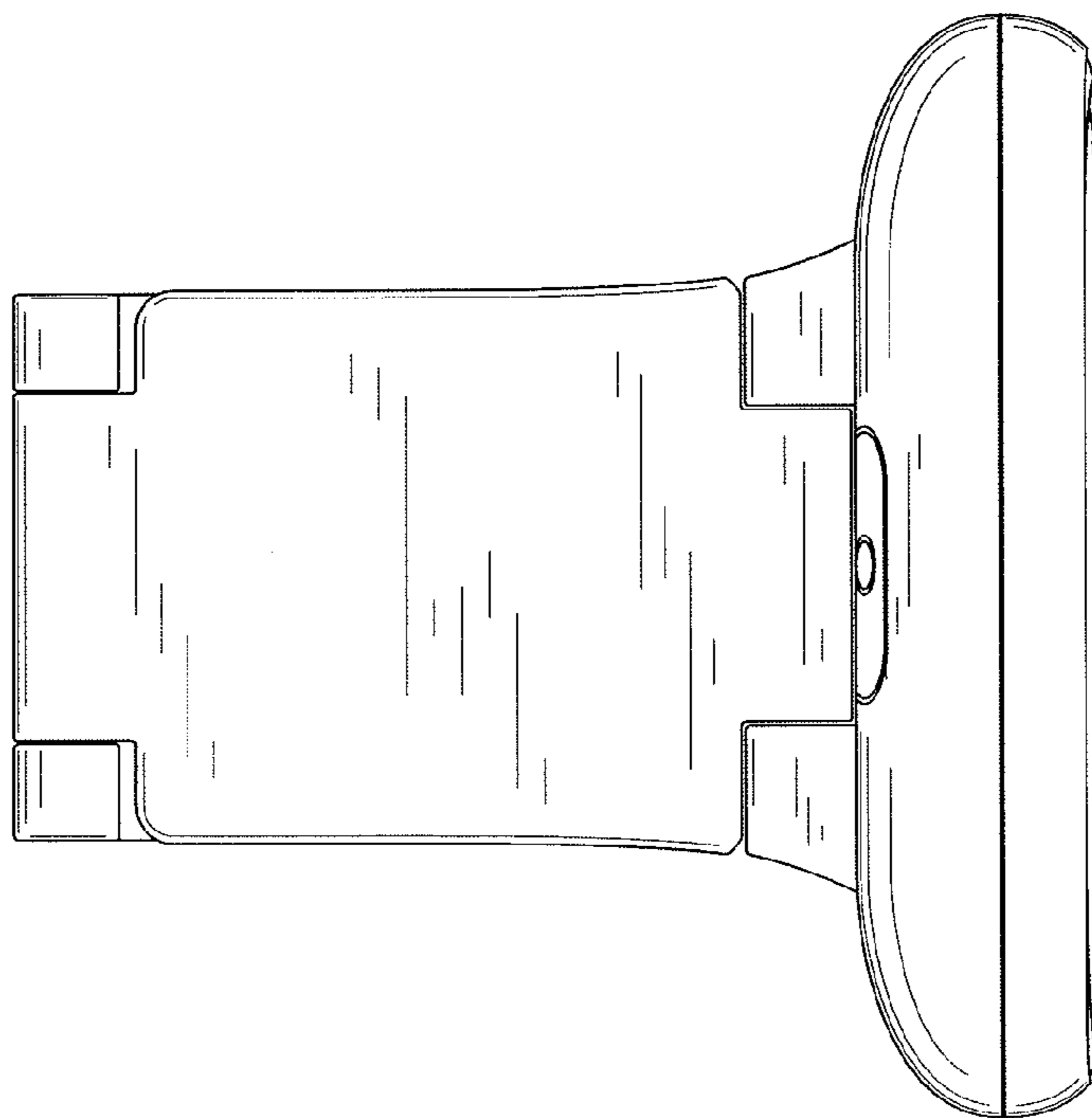


FIG. 7

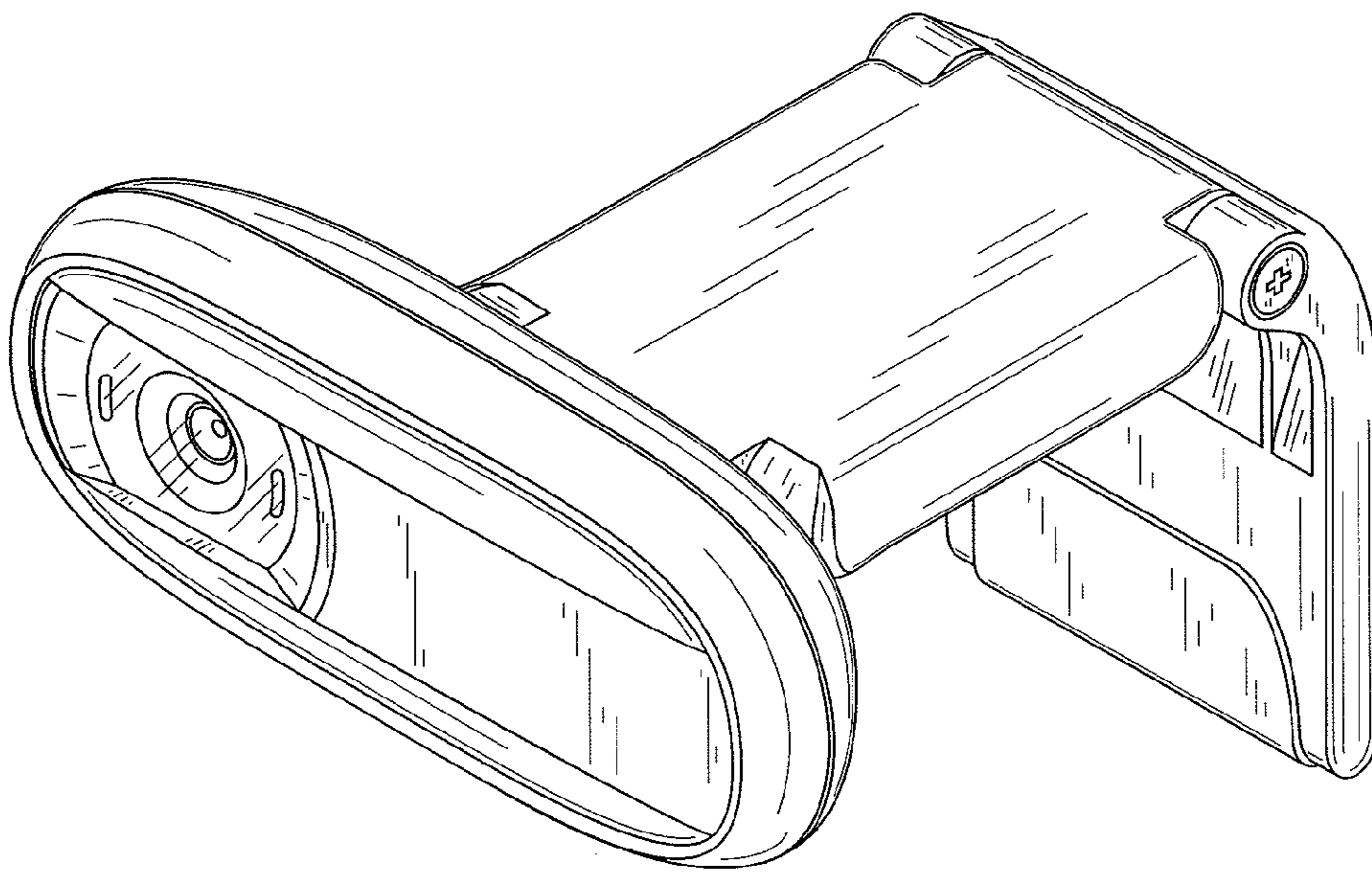


FIG. 8

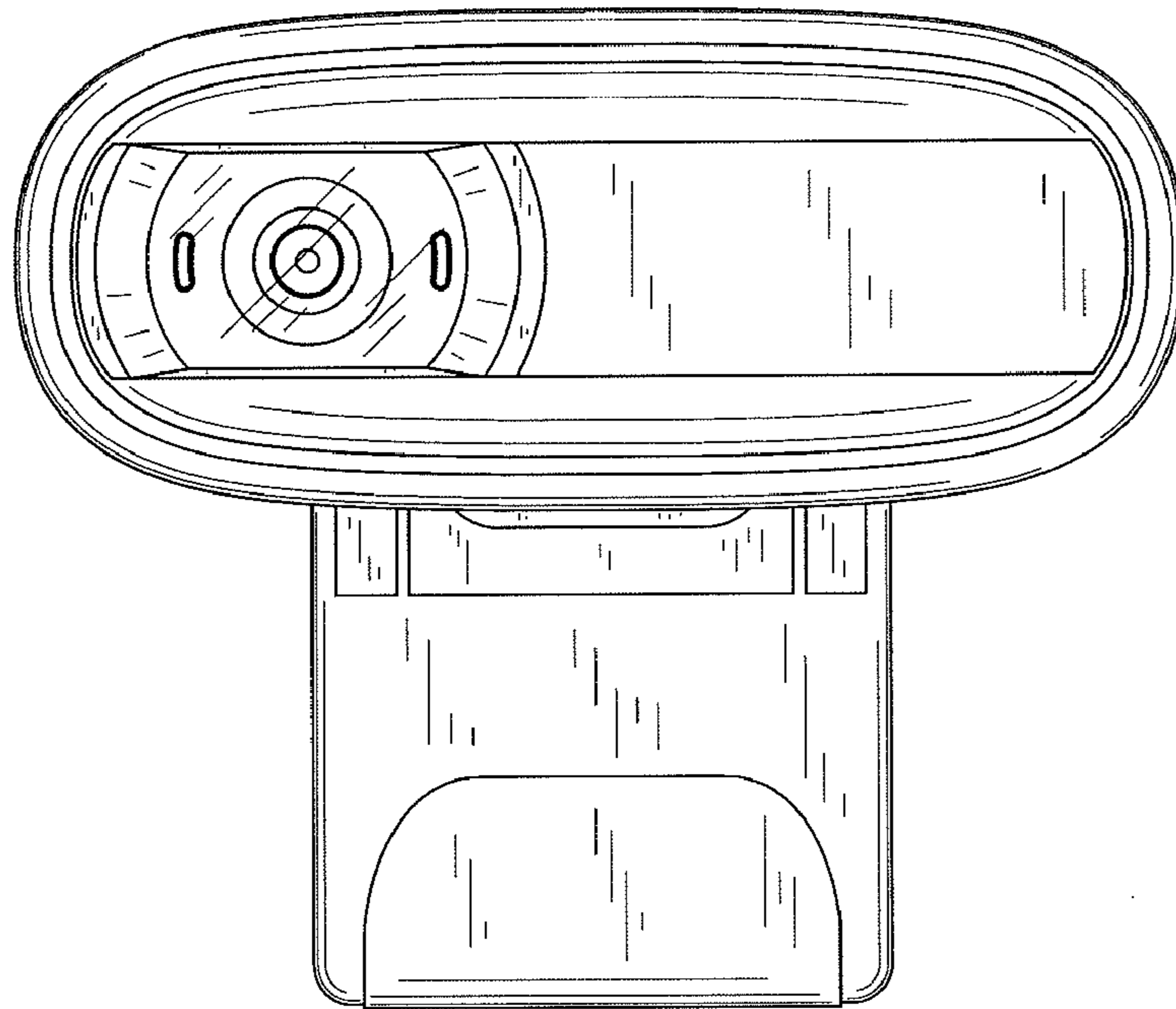


FIG. 9

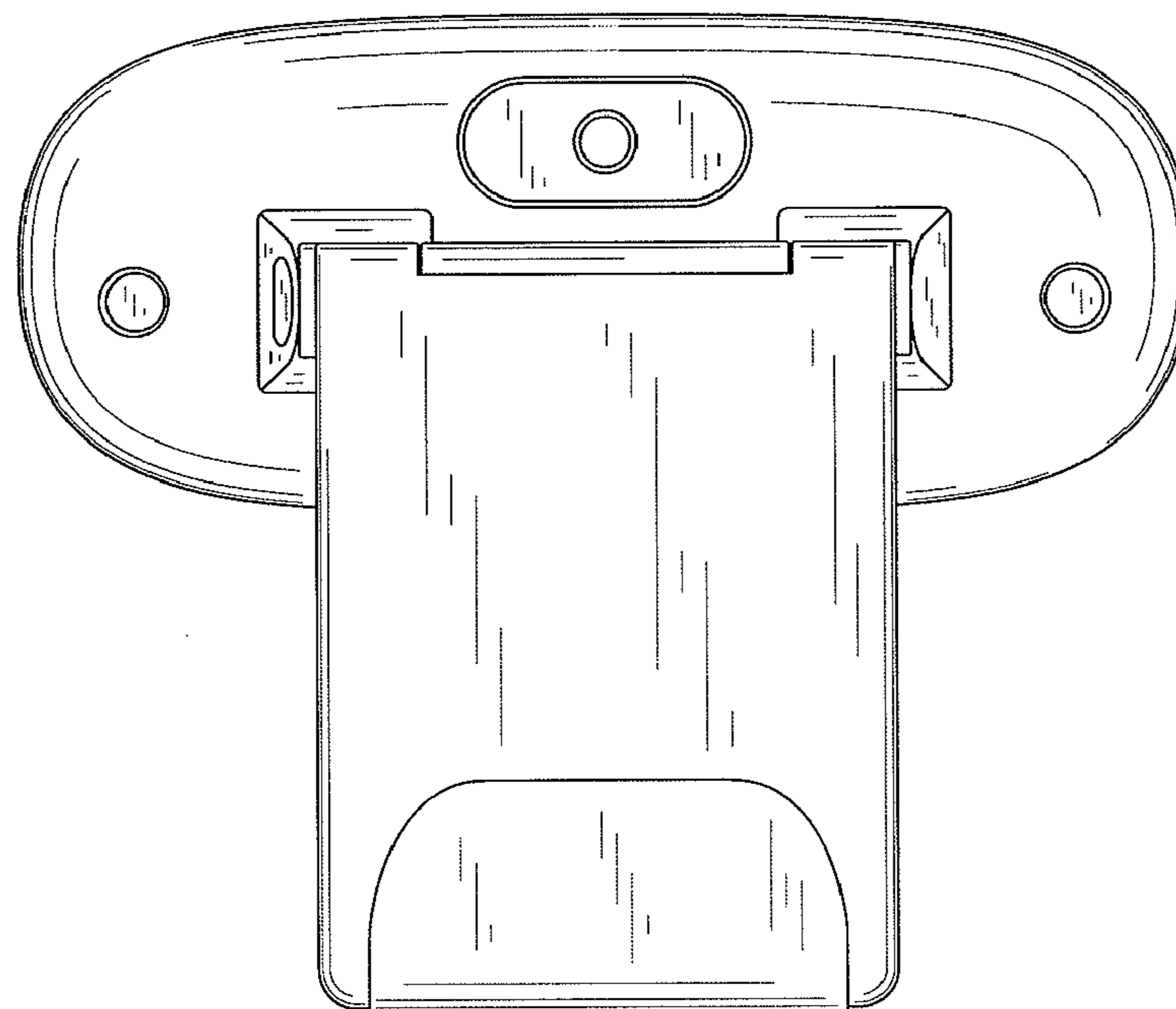


FIG. 10

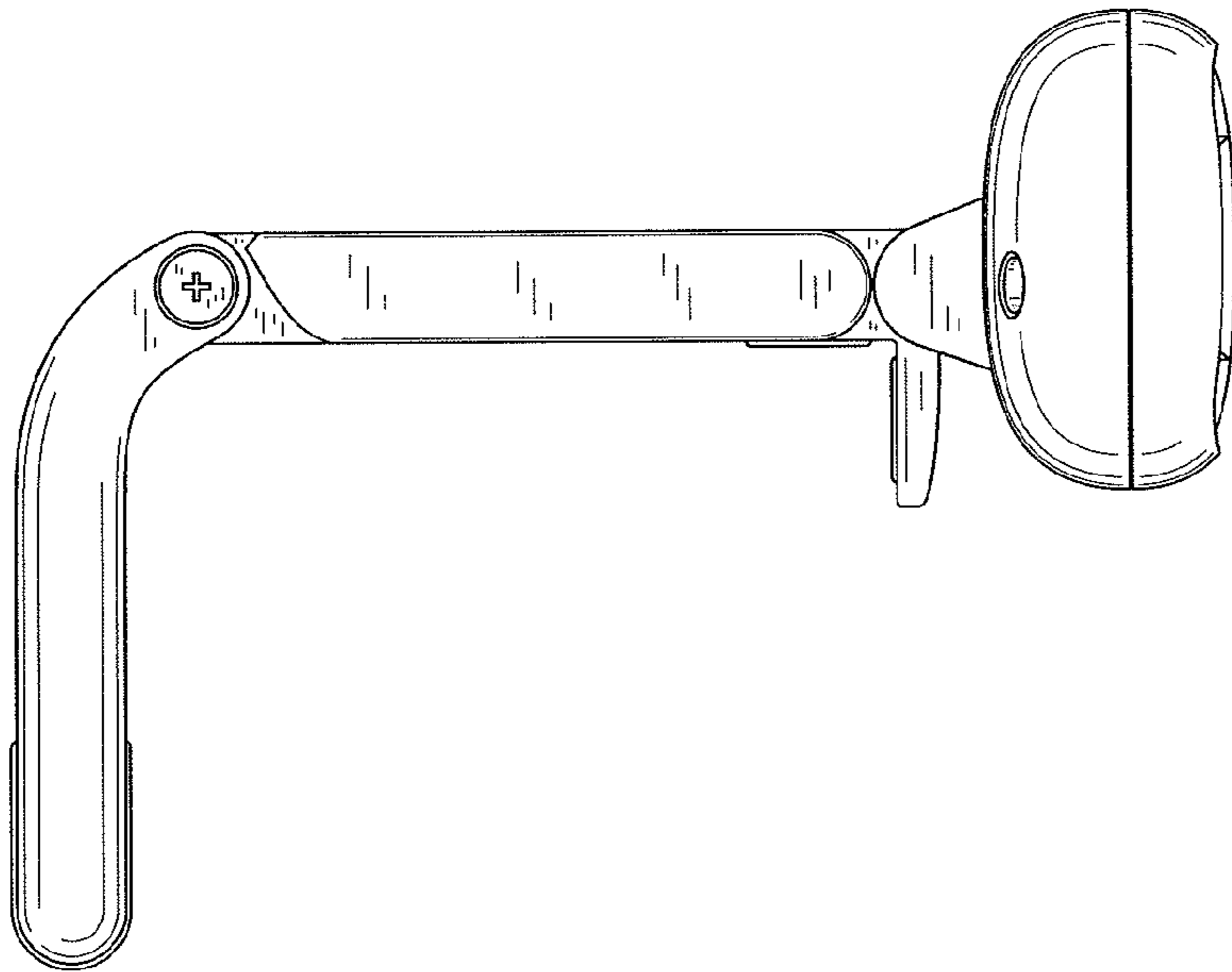


FIG. 11

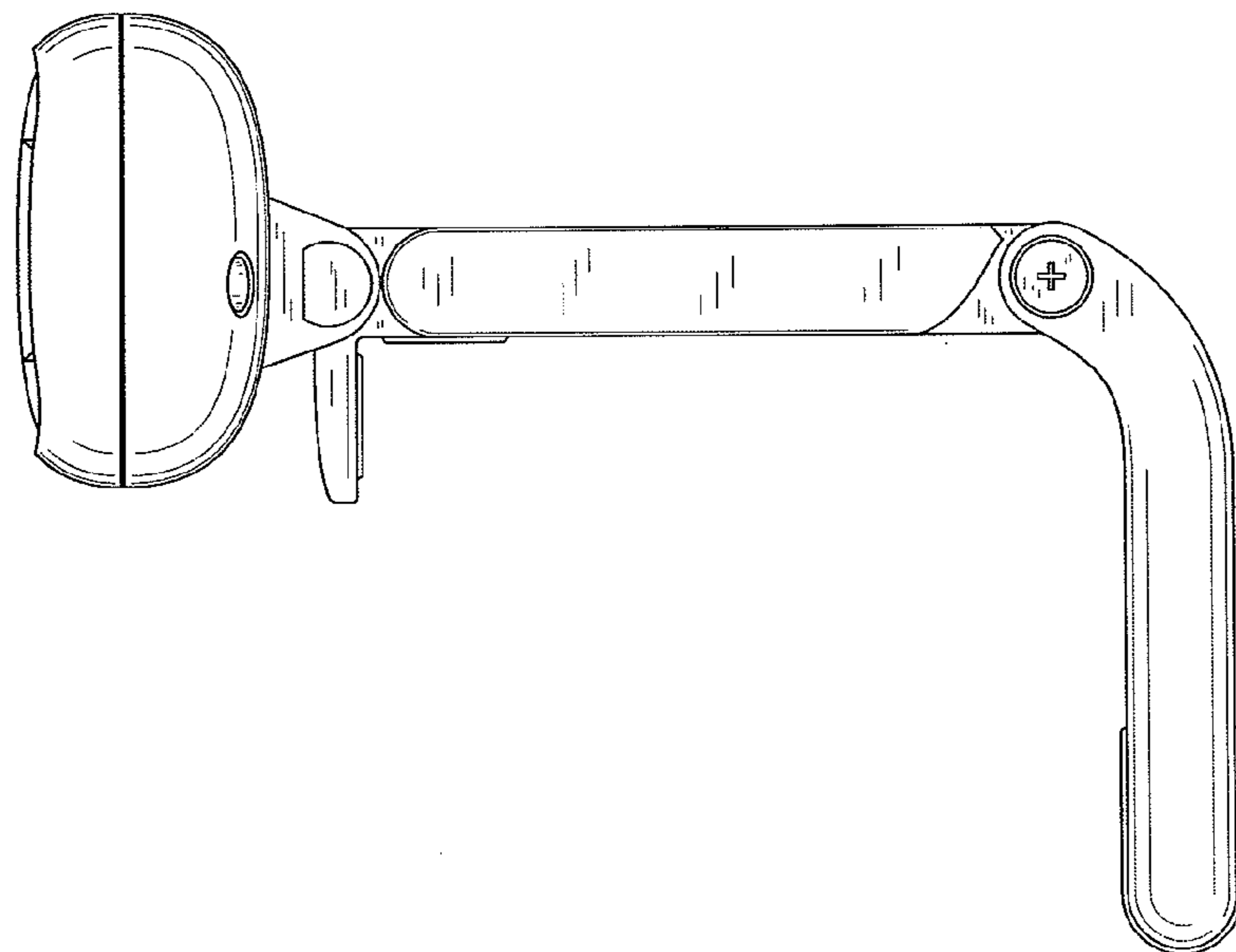


FIG. 12

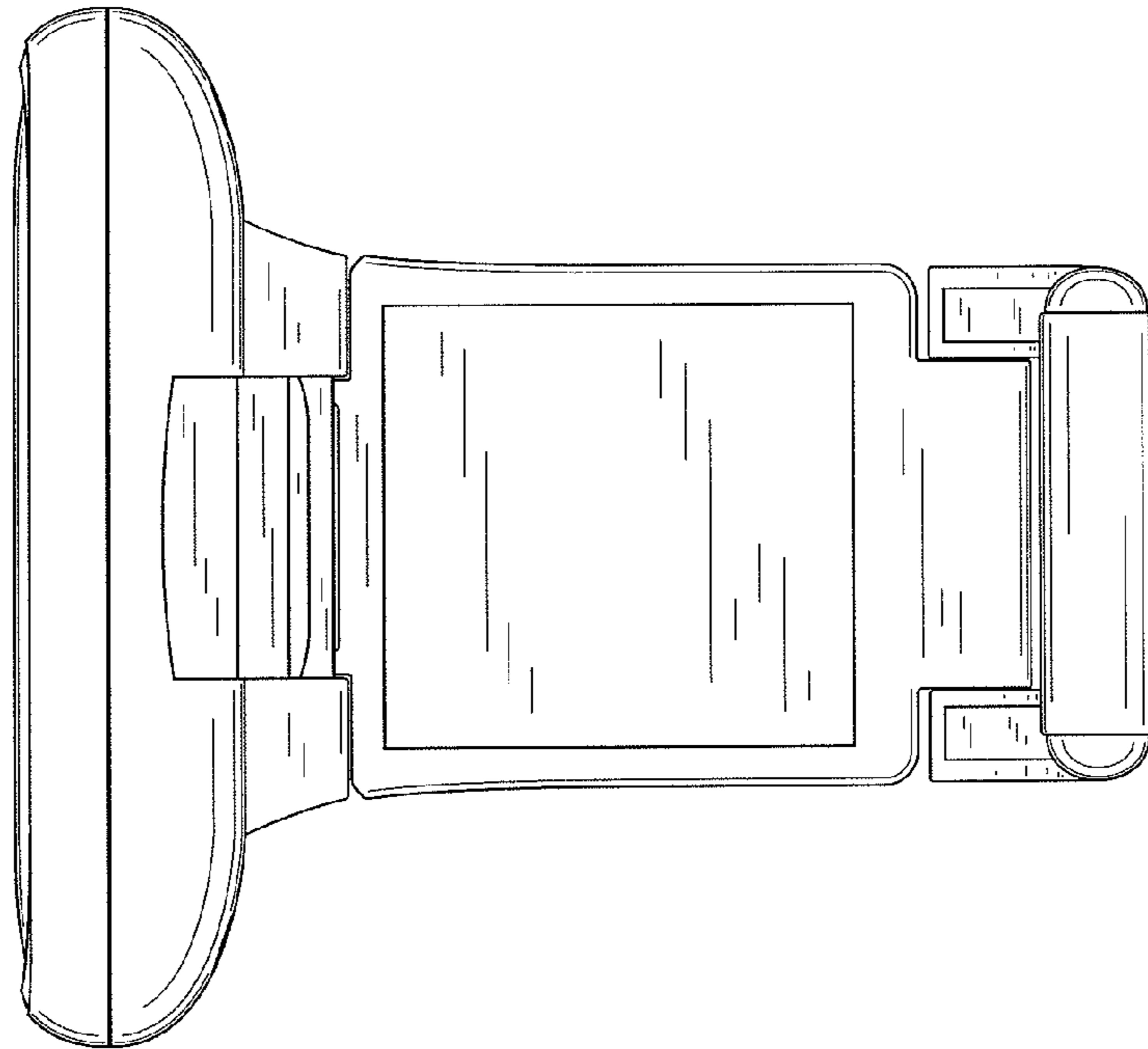


FIG. 13

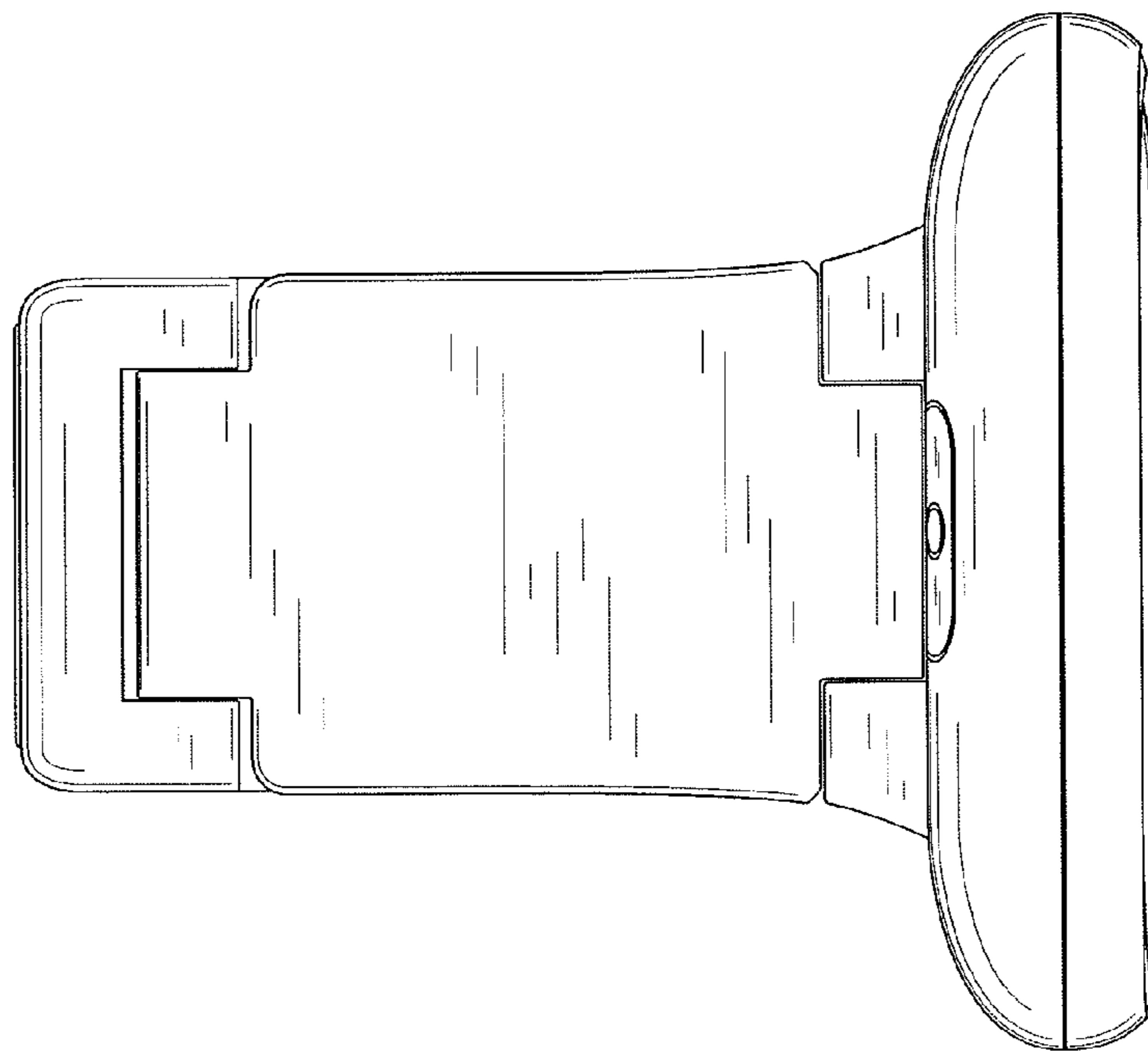


FIG. 14