



US00D651227S

(12) **United States Design Patent**
Lai et al.

(10) **Patent No.:** **US D651,227 S**

(45) **Date of Patent:** **** *Dec. 27, 2011**

(54) **OPTICAL LENS**

(75) Inventors: **Chih-Ming Lai**, Miao-Li Hsien (TW);
Ming-Young Shiao, Miao-Li Hsien
(TW)

(73) Assignee: **Foxsemicon Integrated Technology,
Inc.**, Chu-Nan, Miao-Li Hsien (TW)

(*) Notice: This patent is subject to a terminal dis-
claimer.

(**) Term: **14 Years**

(21) Appl. No.: **29/352,825**

(22) Filed: **Dec. 28, 2009**

(30) **Foreign Application Priority Data**

Sep. 17, 2009 (CN) 2009 3 0316557

(51) **LOC (9) Cl.** **16-06**

(52) **U.S. Cl.** **D16/134**

(58) **Field of Classification Search** D16/130,
D16/135, 137, 101, 134; D26/124; 359/811,
359/641, 737, 710, 211.1, 718; 362/305,
362/334, 327, 294, 517, 328; 273/148 R
See application file for complete search history.

(56) **References Cited**

U.S. PATENT DOCUMENTS

D145,638 S * 9/1946 Rosenberg D16/135
D191,851 S * 11/1961 Lazor D16/135

D204,319 S * 4/1966 Stewart D16/137
D206,956 S * 2/1967 Stewart D16/137
3,535,025 A * 10/1970 Shannon 359/837
5,523,889 A * 6/1996 Bewsher 359/710
D406,598 S * 3/1999 Grijalva D16/134
D457,540 S * 5/2002 Kieronski D16/130
D485,287 S * 1/2004 Taylor D16/135
D496,379 S * 9/2004 Do D16/134
D508,062 S * 8/2005 Rashidi D16/134
D508,510 S * 8/2005 Galli D16/134
D510,373 S * 10/2005 Rashidi D16/134
7,524,098 B2 * 4/2009 Vennetier et al. 362/555
D619,754 S * 7/2010 Lai et al. D26/124
D619,756 S * 7/2010 Lai et al. D26/124
D624,948 S * 10/2010 Lai et al. D16/134

* cited by examiner

Primary Examiner — Paula Greene

(74) *Attorney, Agent, or Firm* — Altis Law Group, Inc.

(57) **CLAIM**

The ornamental design for an optical lens, as shown.

DESCRIPTION

FIG. 1 is a perspective view of an optical lens showing our
new design.

FIG. 2 is a front elevational view thereof.

FIG. 3 is a rear elevational view thereof.

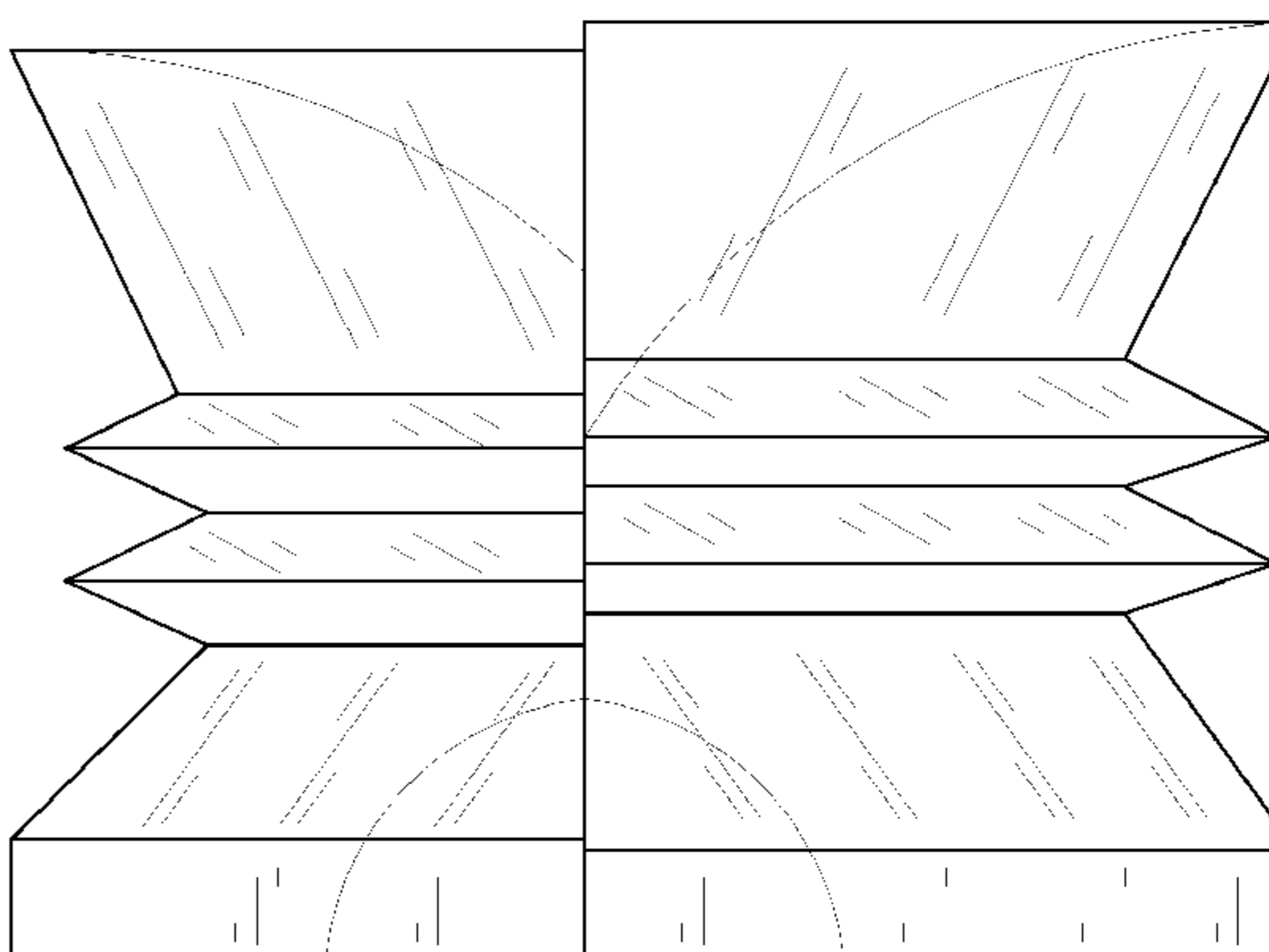
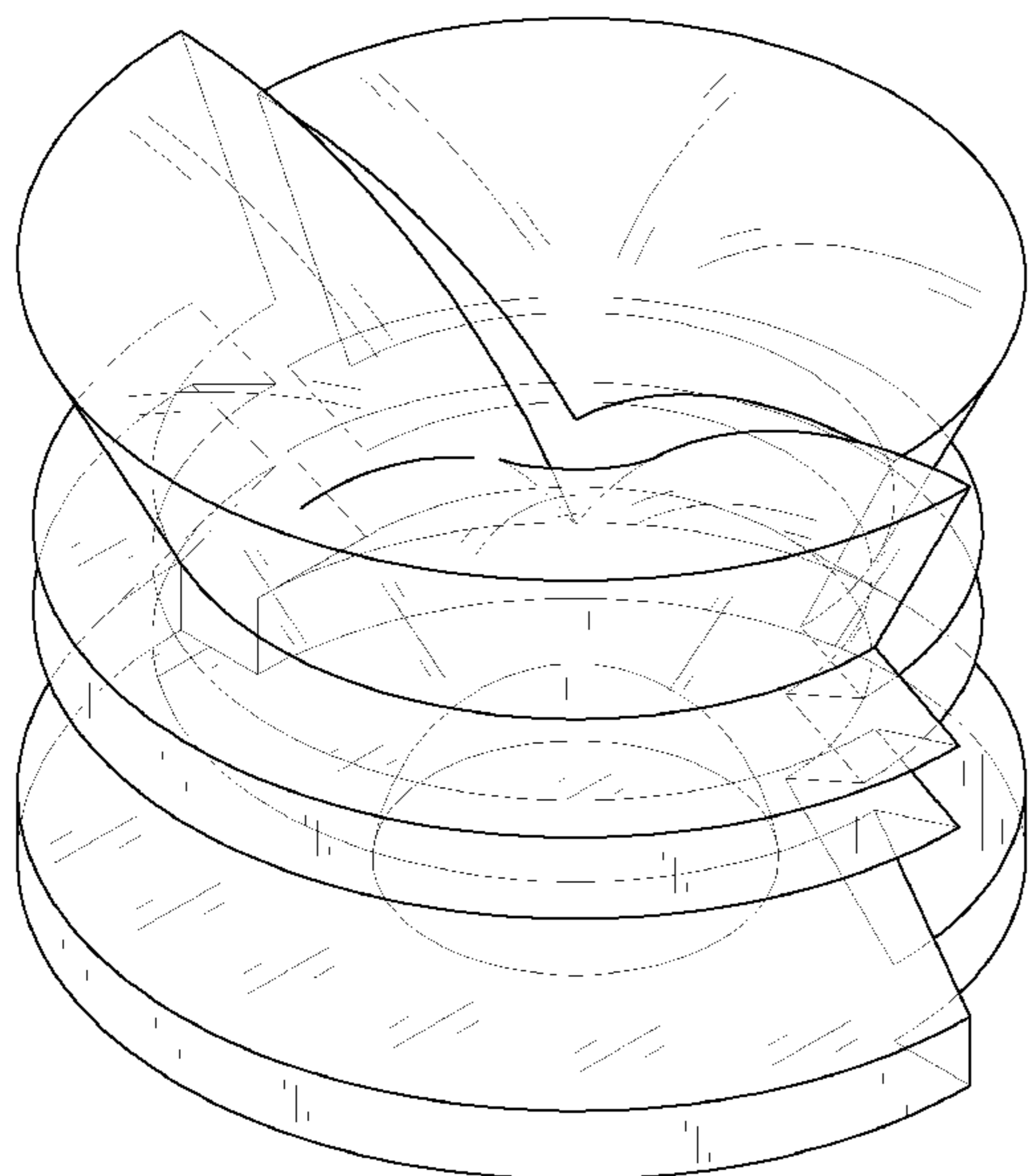
FIG. 4 is a left-side, elevational view thereof.

FIG. 5 is a right-side, elevational view thereof.

FIG. 6 is a top plan view thereof; and,

FIG. 7 is a bottom plan view thereof.

1 Claim, 7 Drawing Sheets



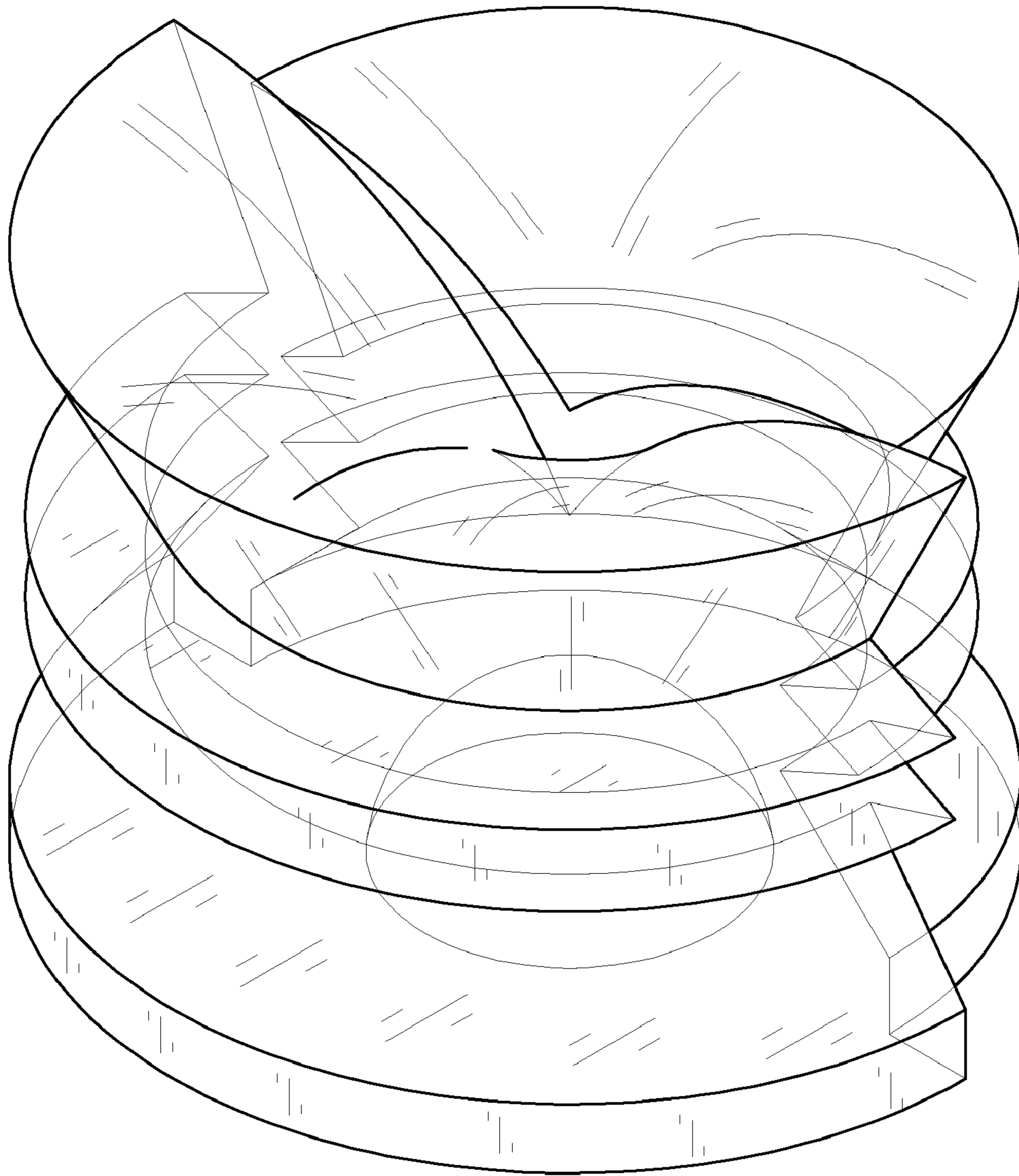


FIG. 1

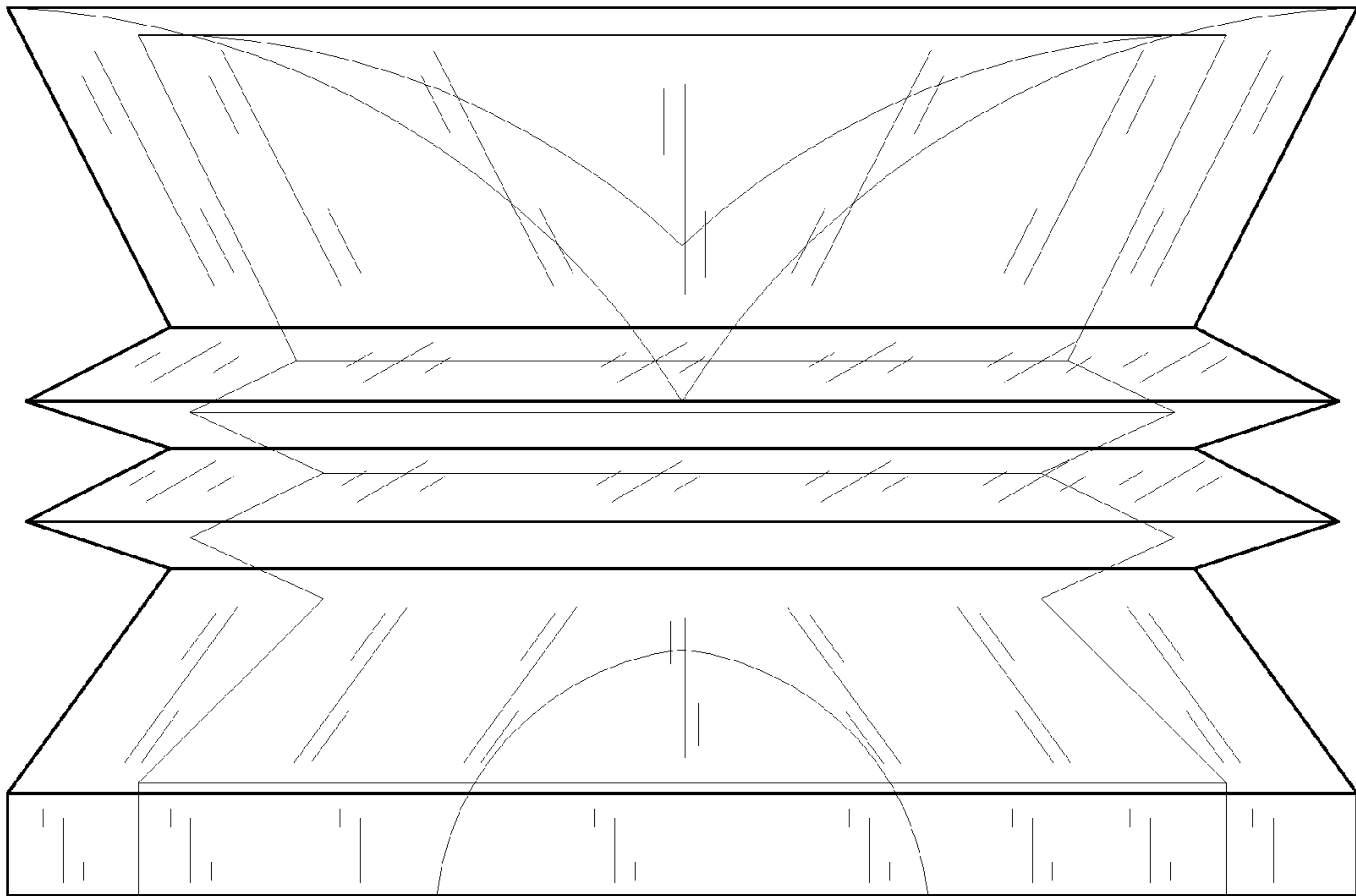


FIG. 2

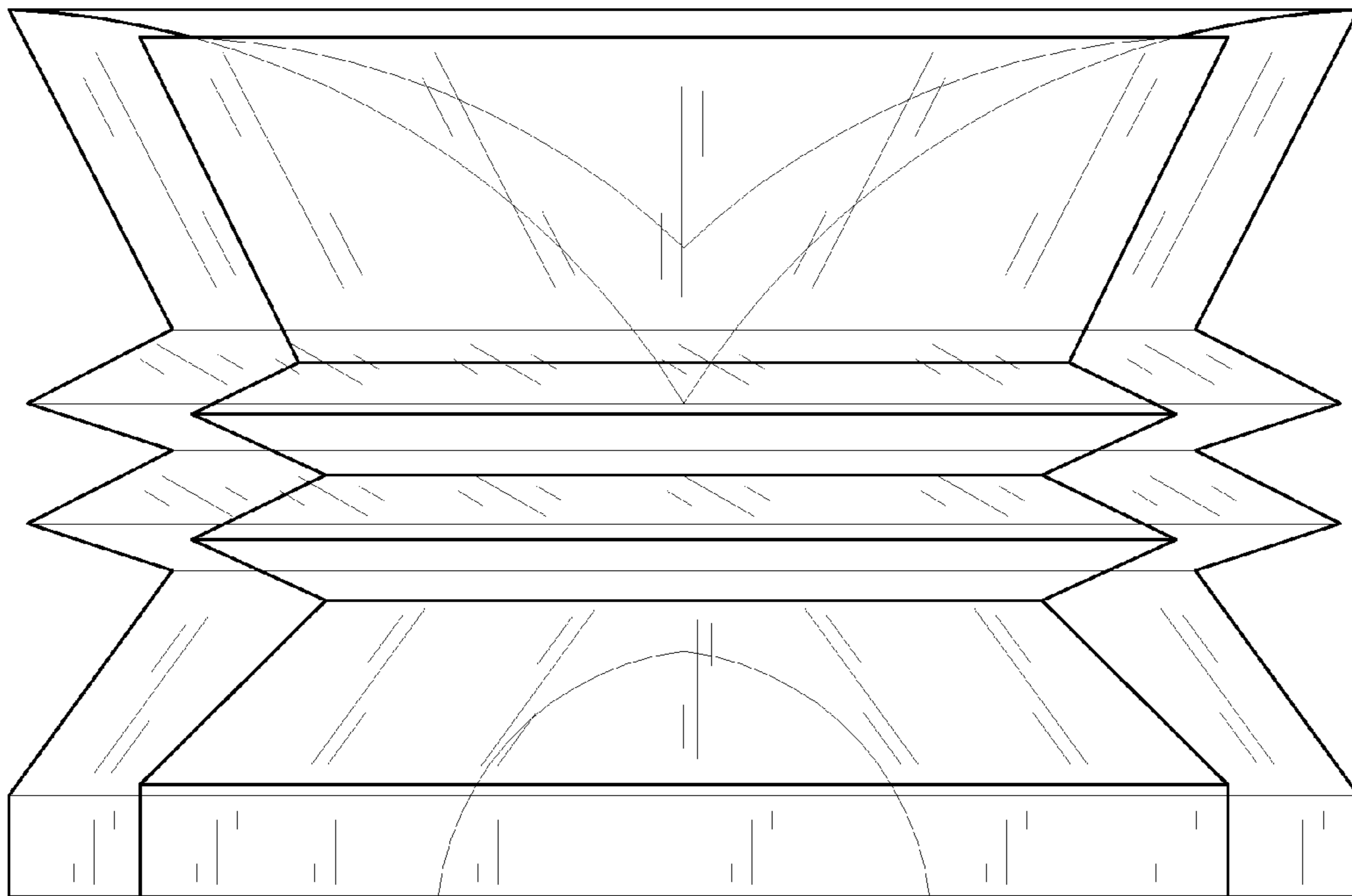


FIG. 3

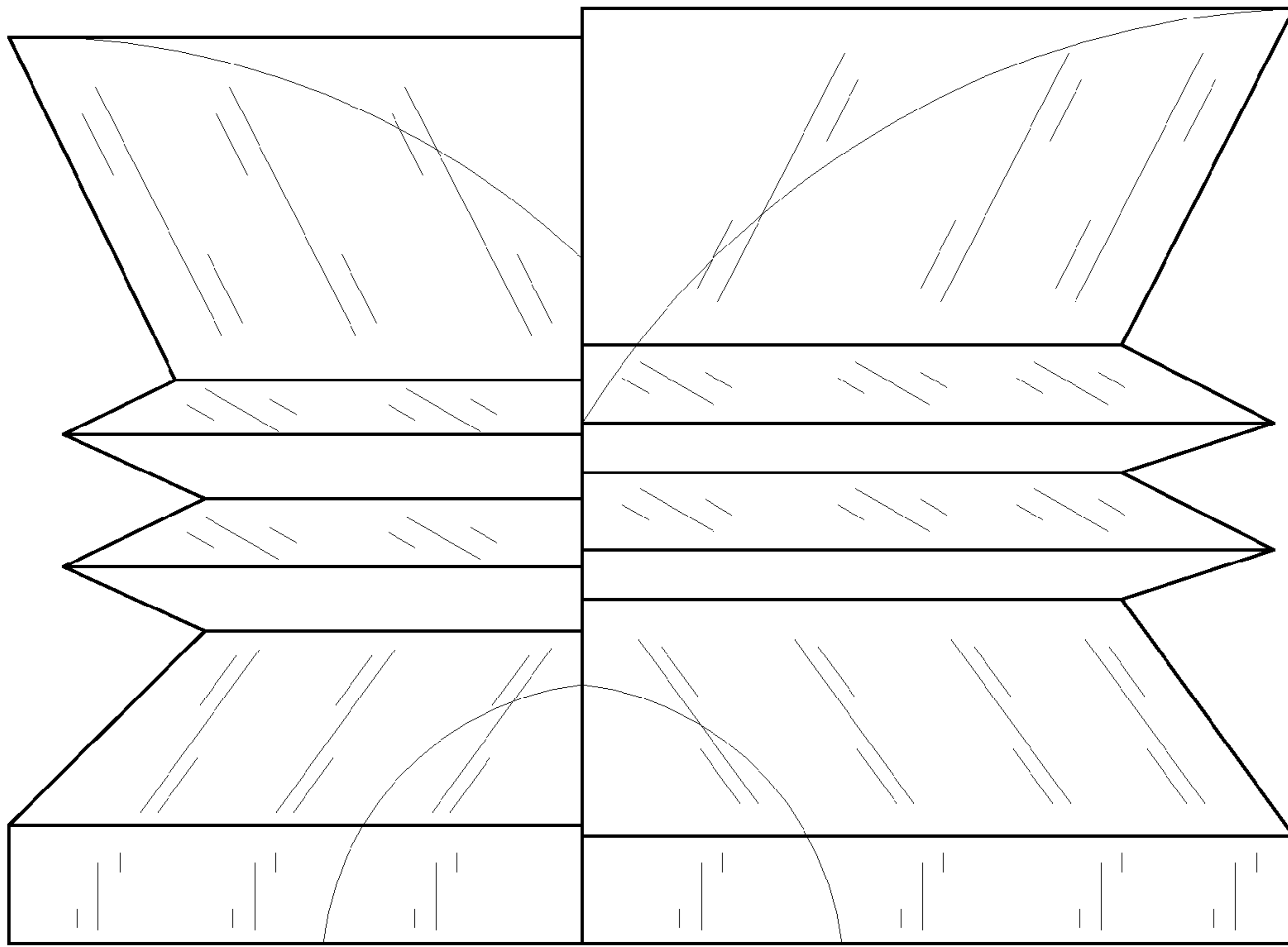


FIG. 4

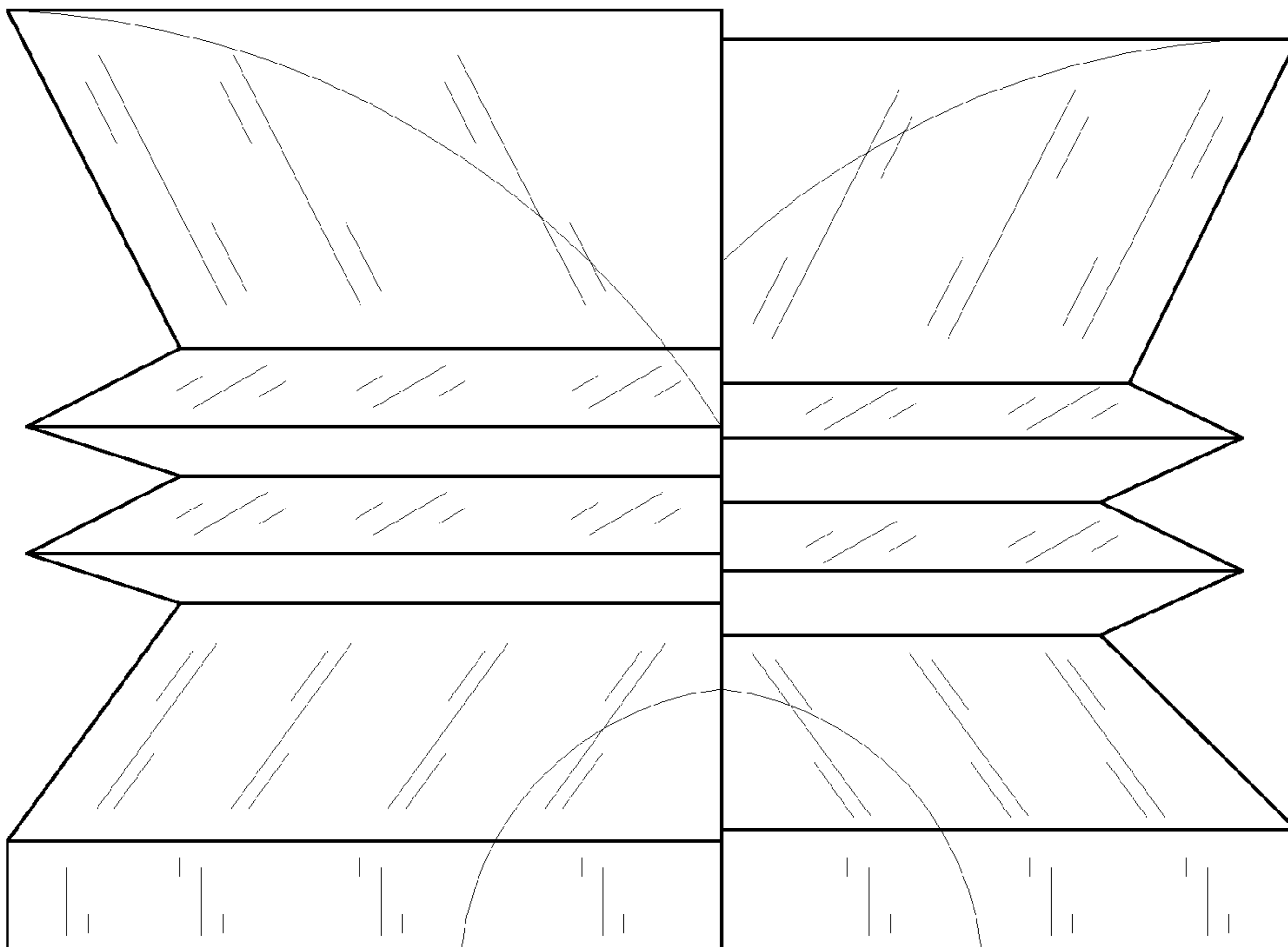


FIG. 5

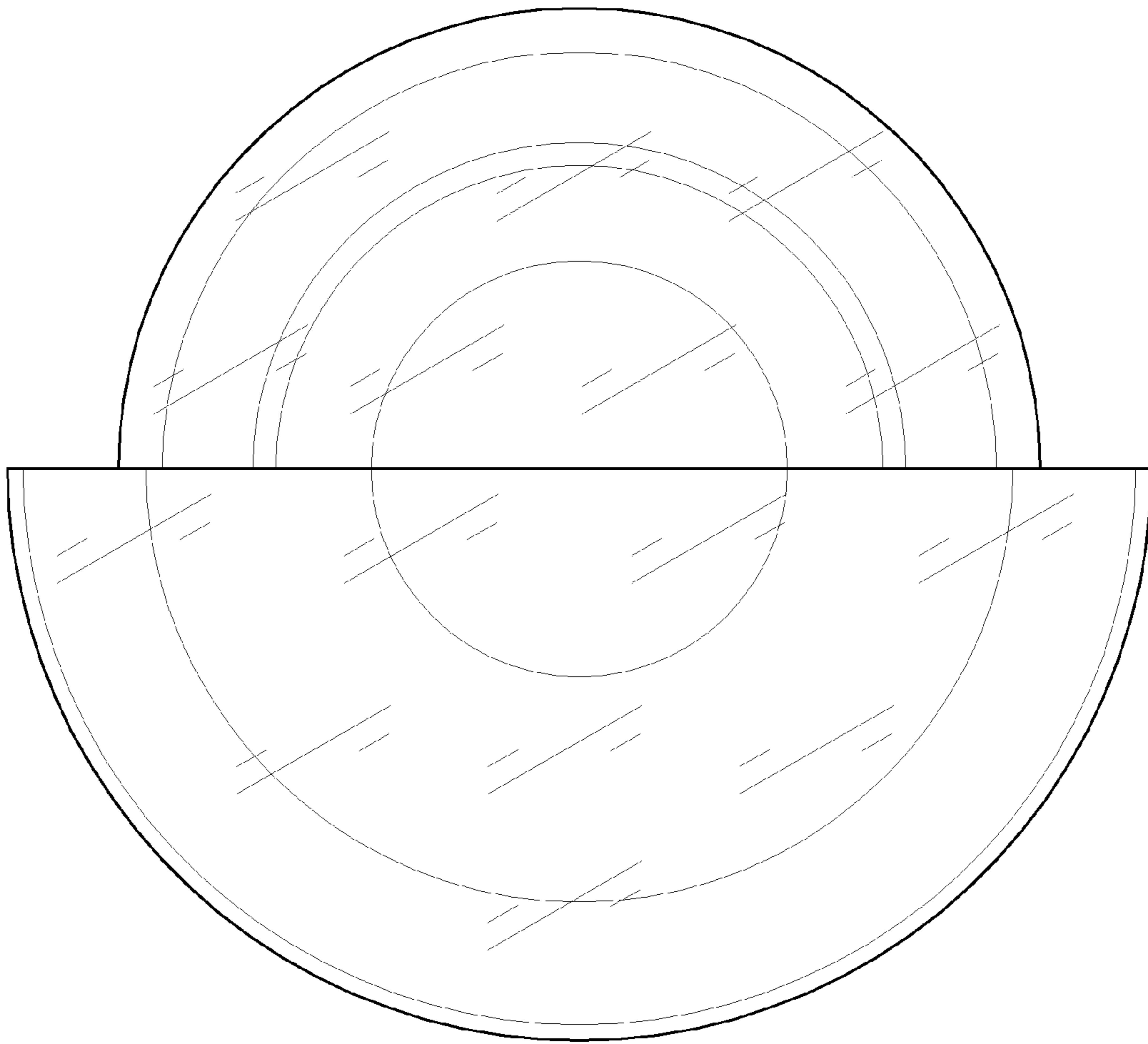


FIG. 6

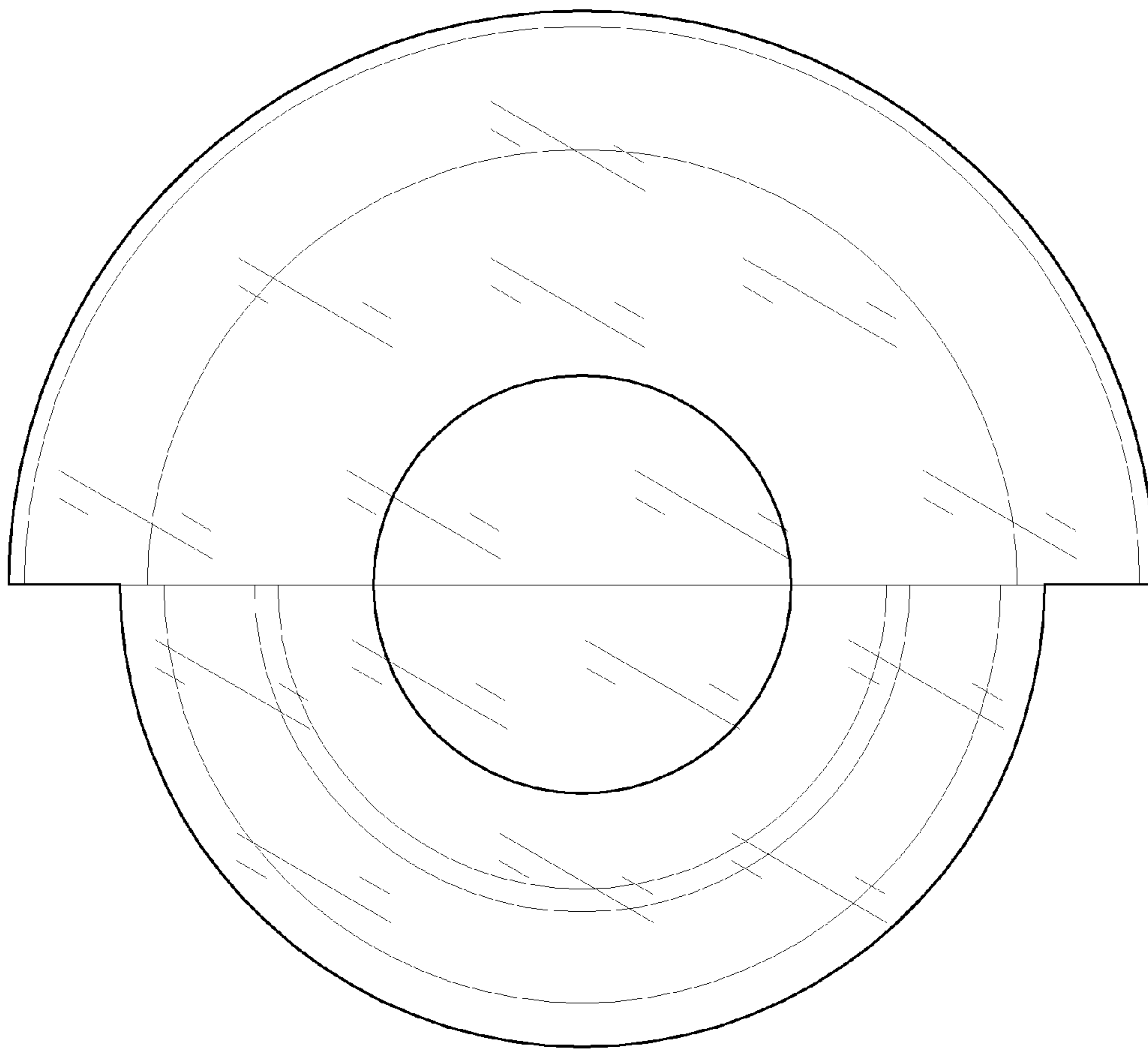


FIG. 7