



US00D651226S

(12) **United States Design Patent**  
**Nagakubo et al.**

(10) **Patent No.:** **US D651,226 S**  
(45) **Date of Patent:** **\*\* Dec. 27, 2011**

(54) **SAMPLE CASE FOR AN ELECTRON MICROSCOPE**

(75) Inventors: **Yasuhira Nagakubo**, Hitachinaka (JP);  
**Toshiaki Tanigaki**, Hitachinaka (JP);  
**Hideki Hirota**, Hitachinaka (JP);  
**Takayuki Asakawa**, Hitachinaka (JP);  
**Katsuji Ito**, Hitachinaka (JP)

(73) Assignee: **Hitachi High-Technologies Corporation**, Tokyo (JP)

(\*\*) Term: **14 Years**

(21) Appl. No.: **29/384,355**

(22) Filed: **Jan. 31, 2011**

(30) **Foreign Application Priority Data**

Sep. 30, 2010 (JP) ..... 2010-023425

(51) **LOC (9) Cl.** ..... **16-06**

(52) **U.S. Cl.** ..... **D16/130; D16/131**

(58) **Field of Classification Search** ..... D16/130,  
D16/131, 136; D10/81, 103; D24/216, 224,  
D24/225, 227; 359/391, 398; 356/246; 378/208;  
422/939; 604/403

See application file for complete search history.

(56) **References Cited**

**U.S. PATENT DOCUMENTS**

1,625,952	A *	4/1927	Lucas	.....	396/432
2,940,360	A *	6/1960	Carter, Jr.	.....	359/398
2,942,520	A *	6/1960	Rose	.....	359/398
3,552,865	A *	1/1971	Leung et al.	.....	356/246
3,726,597	A *	4/1973	Dvorak et al.	.....	356/244
D238,693	S *	2/1976	Solazzi	.....	D24/232
D290,401	S *	6/1987	Bjorkman	.....	D24/227
4,682,890	A *	7/1987	de Macario et al.	.....	356/244

4,844,614	A *	7/1989	Henderson et al.	.....	356/451
4,974,952	A *	12/1990	Focht	.....	359/398
D322,323	S *	12/1991	Moir	.....	D24/224
5,257,128	A *	10/1993	Diller et al.	.....	359/395
5,563,067	A *	10/1996	Sugihara et al.	.....	435/287.1
D431,867	S *	10/2000	Maynard et al.	.....	D24/216
D435,300	S *	12/2000	Bhullar et al.	.....	D24/216
D443,216	S *	6/2001	Novitsky et al.	.....	D10/81
D578,653	S *	10/2008	Suzuki et al.	.....	D24/216
D585,317	S *	1/2009	Wagner	.....	D10/81
7,518,720	B2 *	4/2009	Kolp et al.	.....	356/246
2009/0141867	A1	6/2009	Burdett, Jr. et al.		

**FOREIGN PATENT DOCUMENTS**

JP D1344048 11/2008

\* cited by examiner

*Primary Examiner* — Paula Greene

(74) *Attorney, Agent, or Firm* — Antonelli, Terry, Stout & Kraus, LLP.

(57) **CLAIM**

We claim the ornamental design for a sample case for an electron microscope, as shown.

**DESCRIPTION**

FIG. 1 is a front, top and right side perspective view of a sample case for an electron microscope showing our new design;

FIG. 2 is a front elevational view thereof;

FIG. 3 is a rear elevational view thereof;

FIG. 4 is a top plan view thereof;

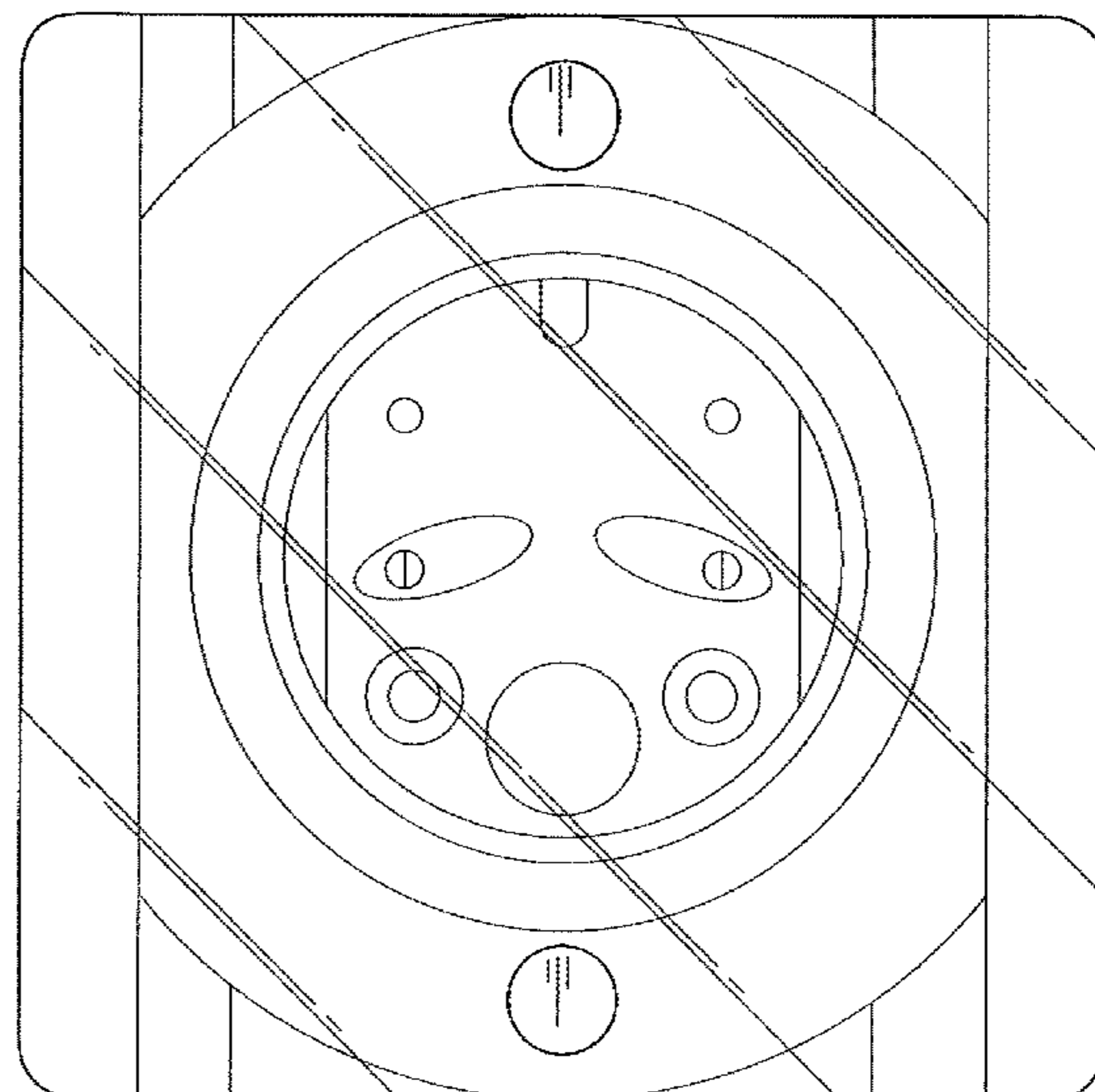
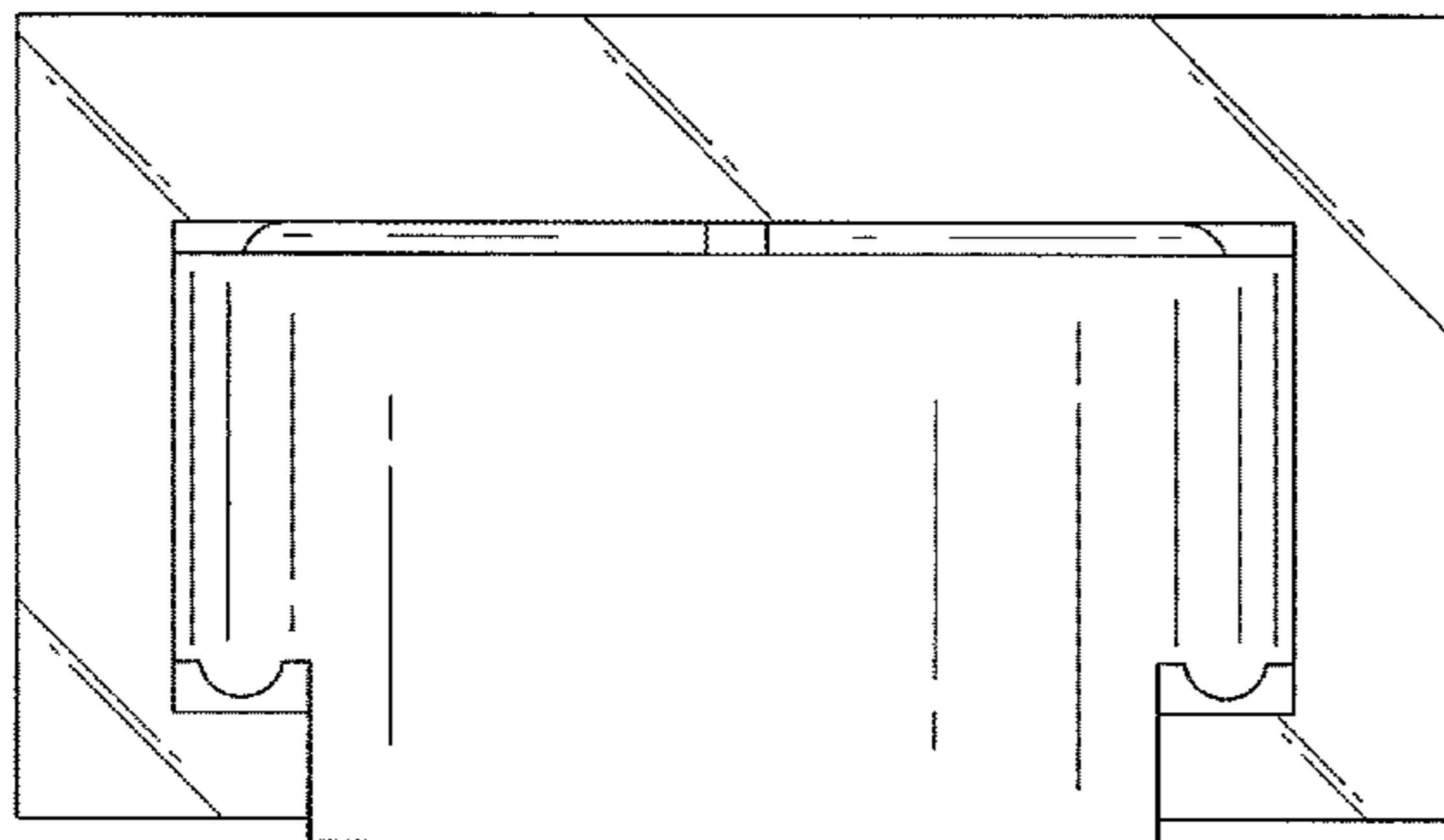
FIG. 5 is a bottom plan view thereof;

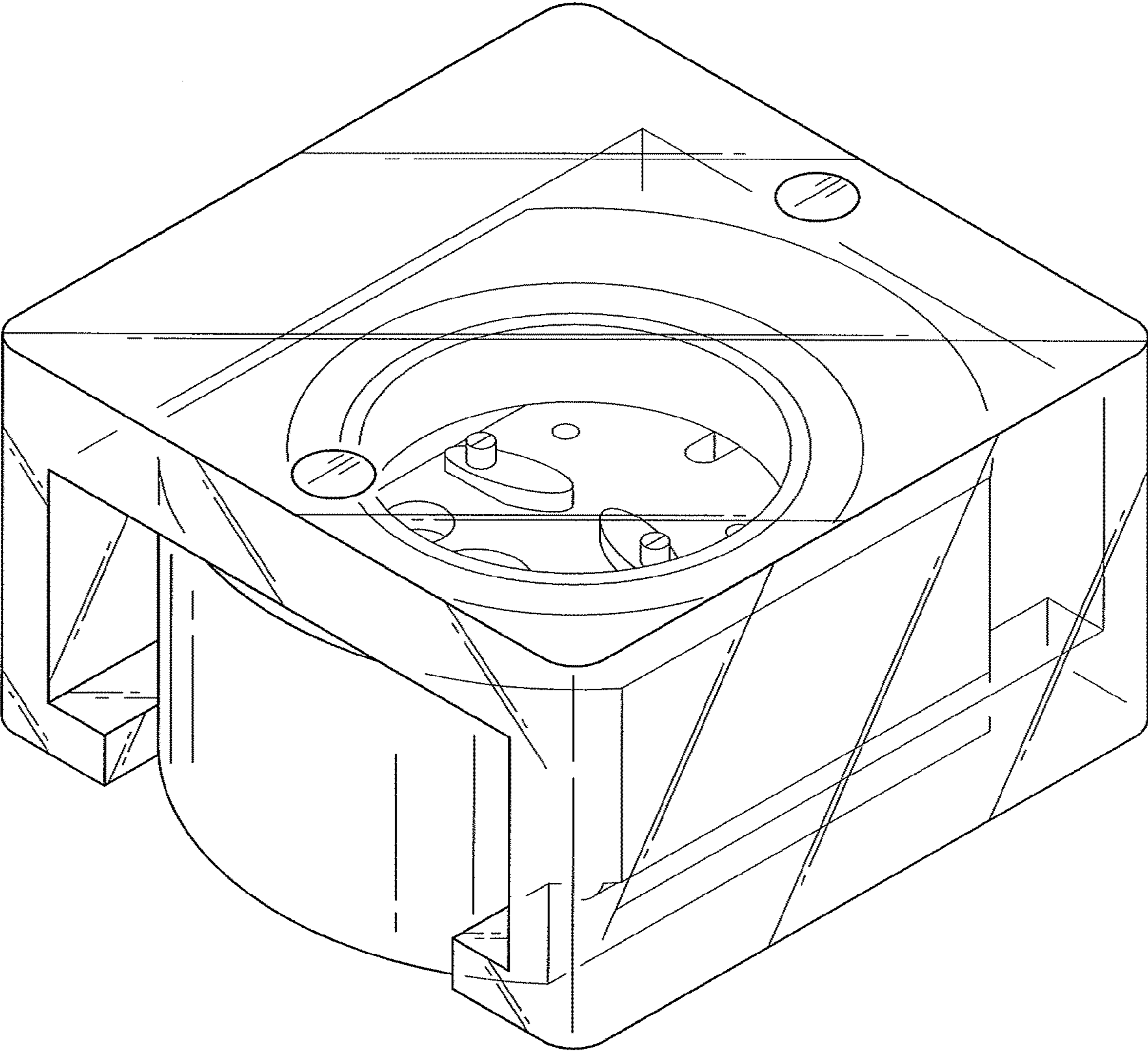
FIG. 6 is a left side elevational view thereof;

FIG. 7 is a right side elevational view thereof; and,

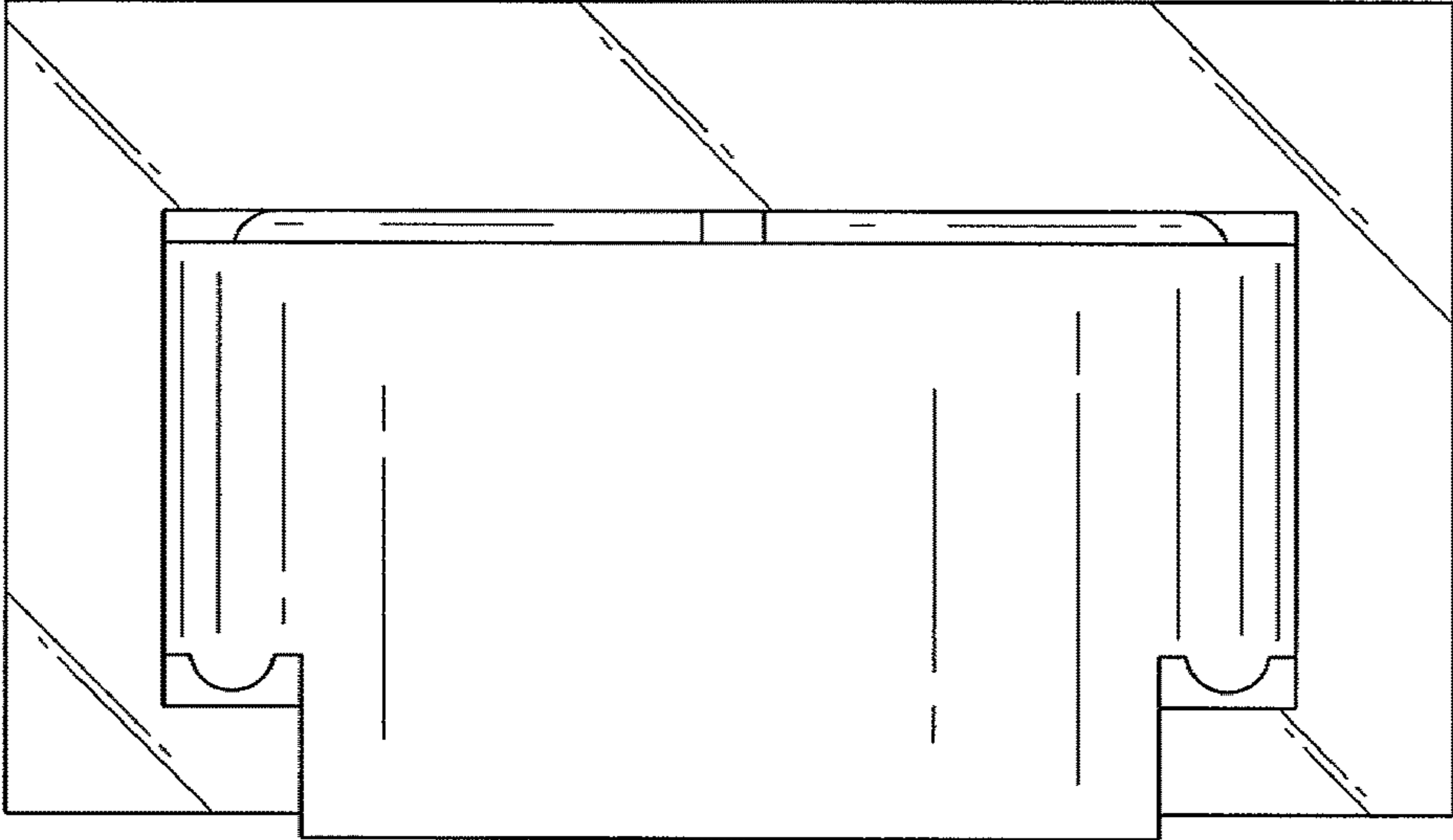
FIG. 8 is a front, top and right side perspective view of a sample case for an electron microscope showing screws through a transparent part.

**1 Claim, 6 Drawing Sheets**

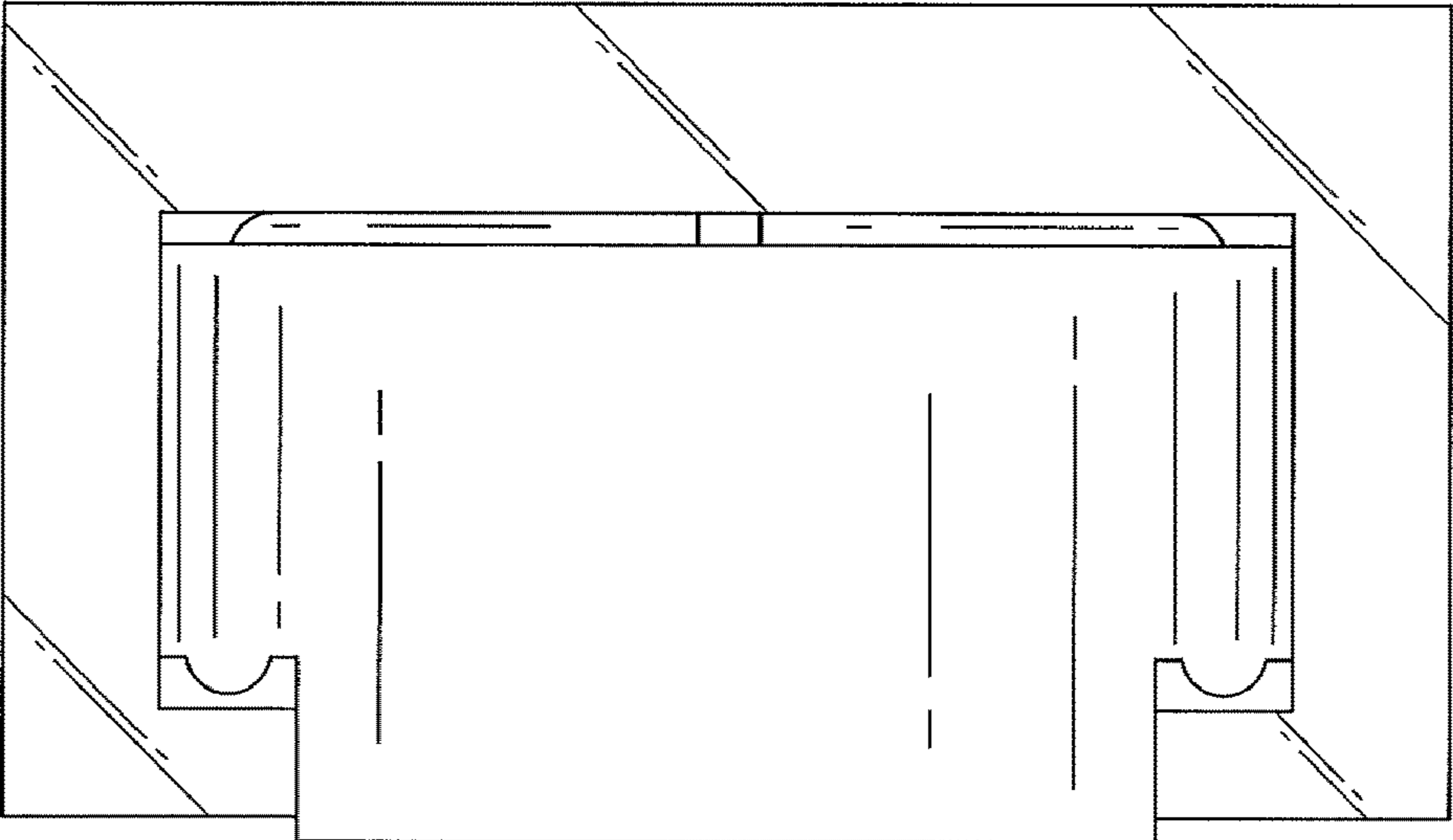




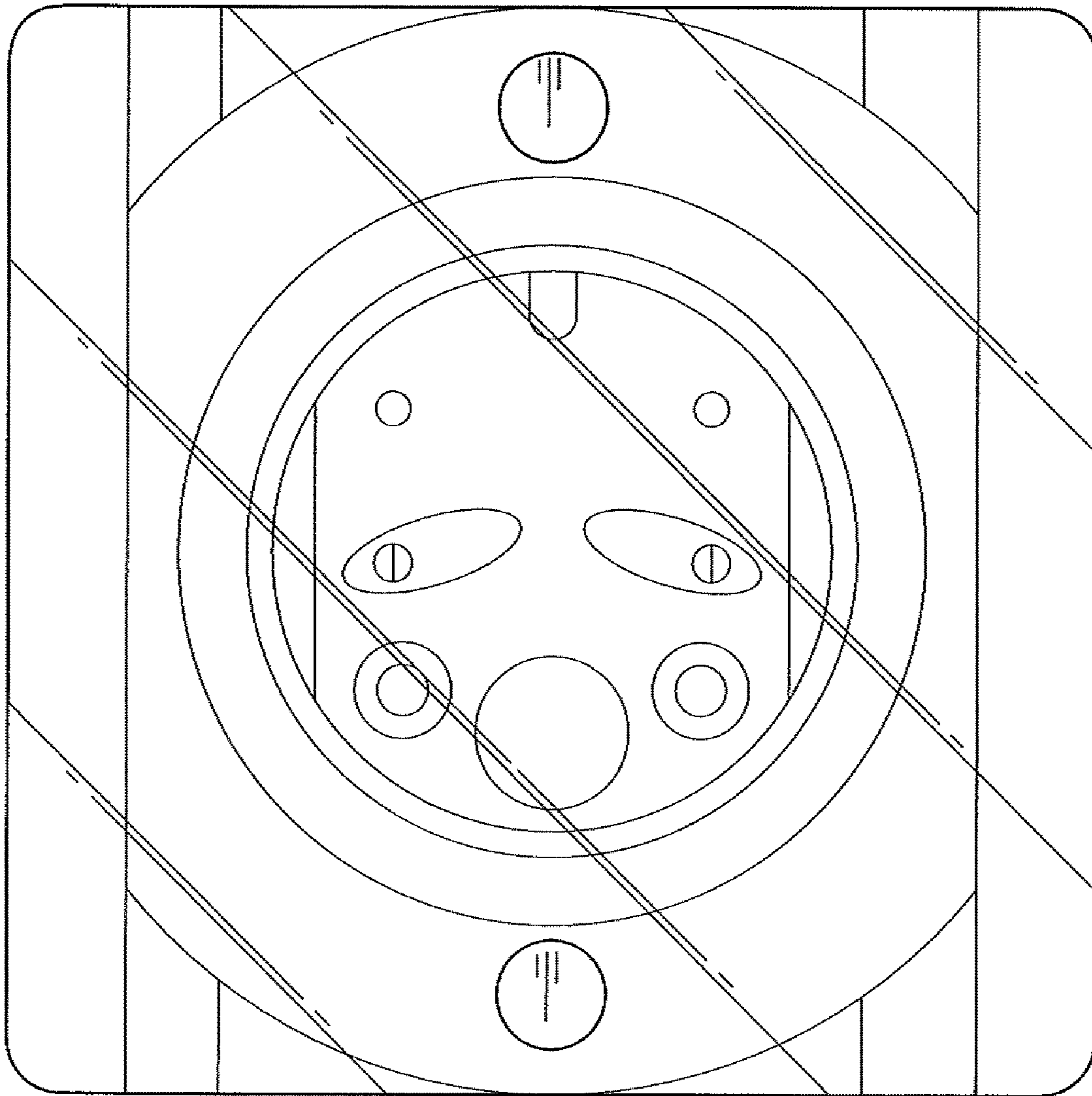
**FIG. 1**



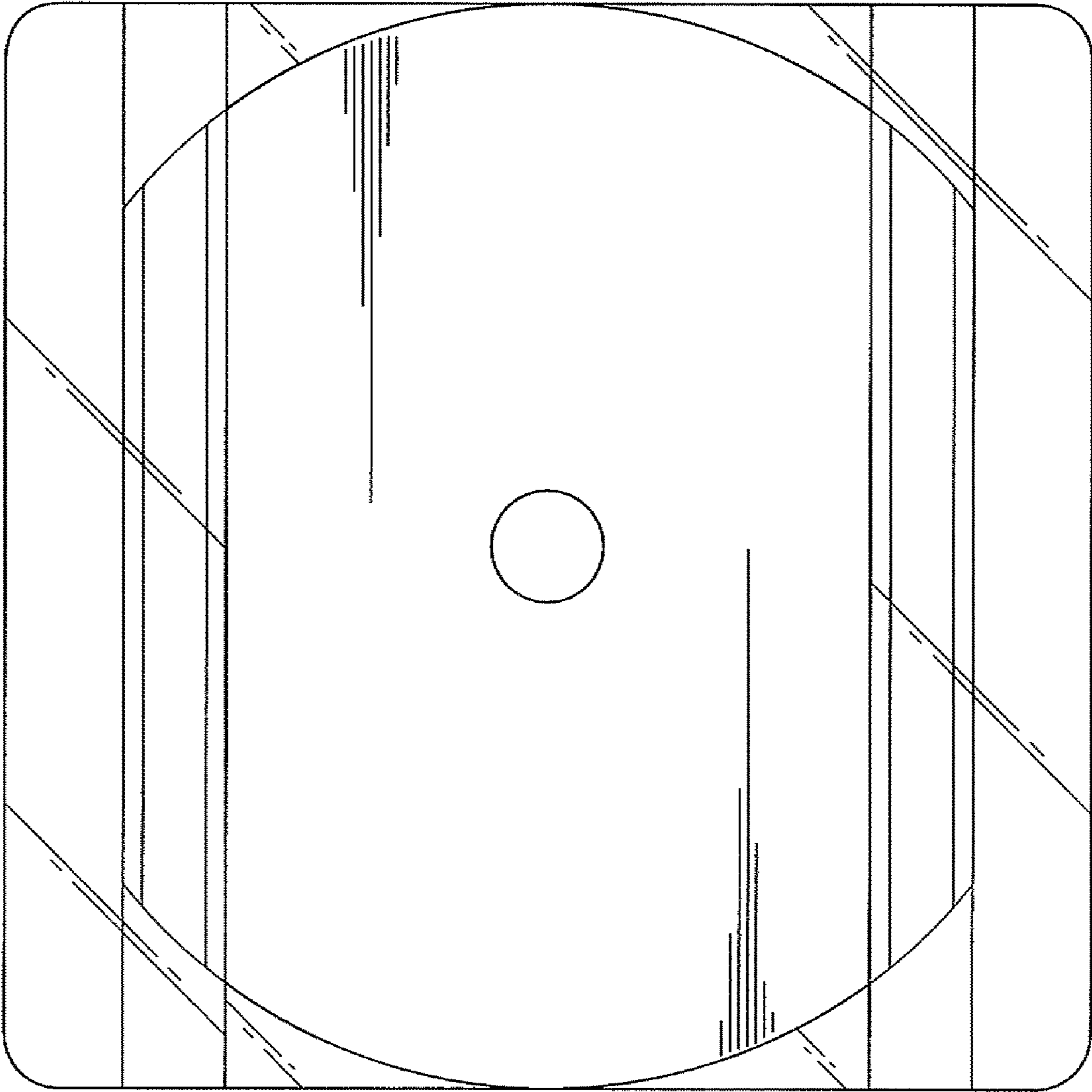
*FIG. 2*



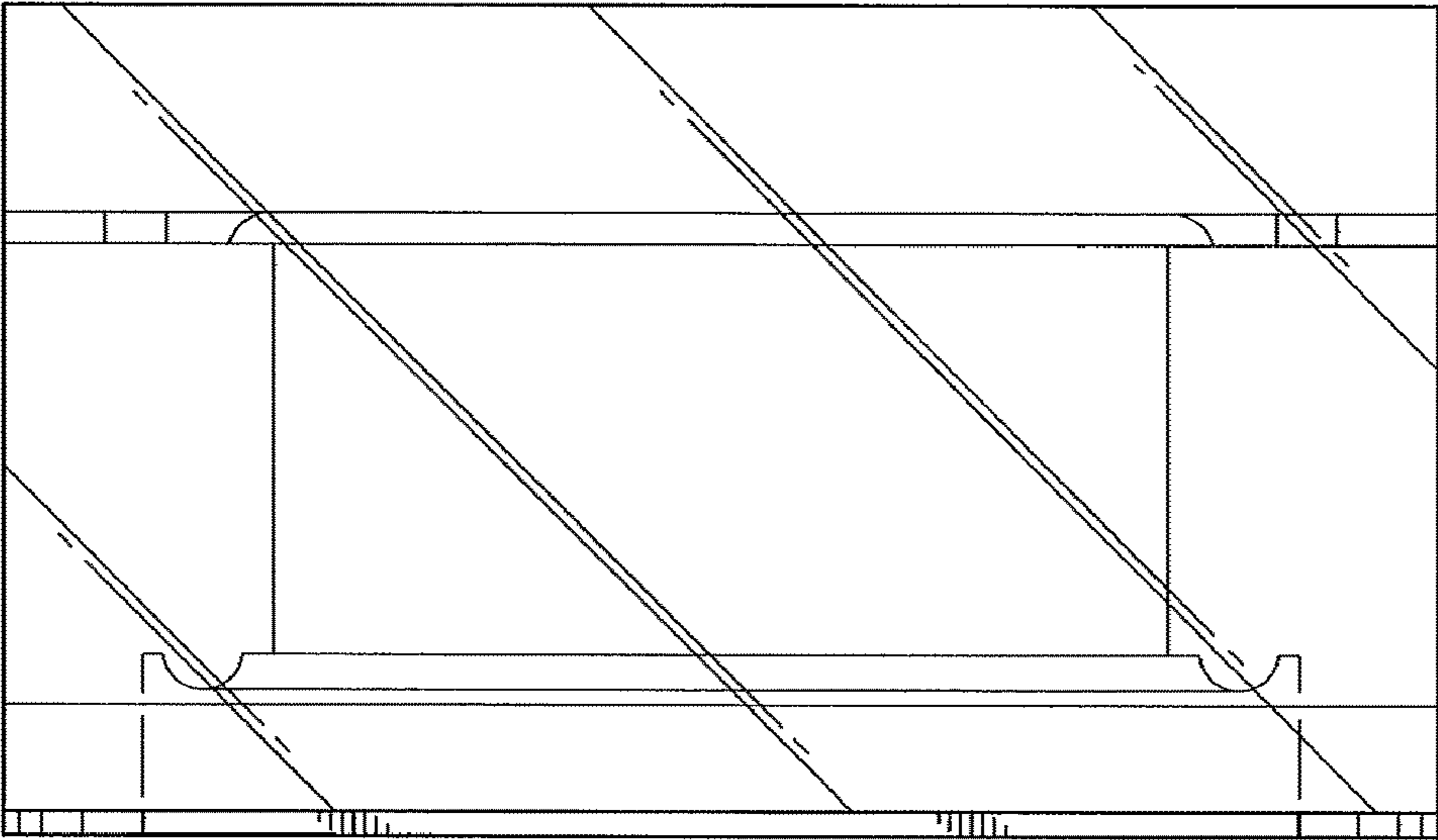
*FIG. 3*



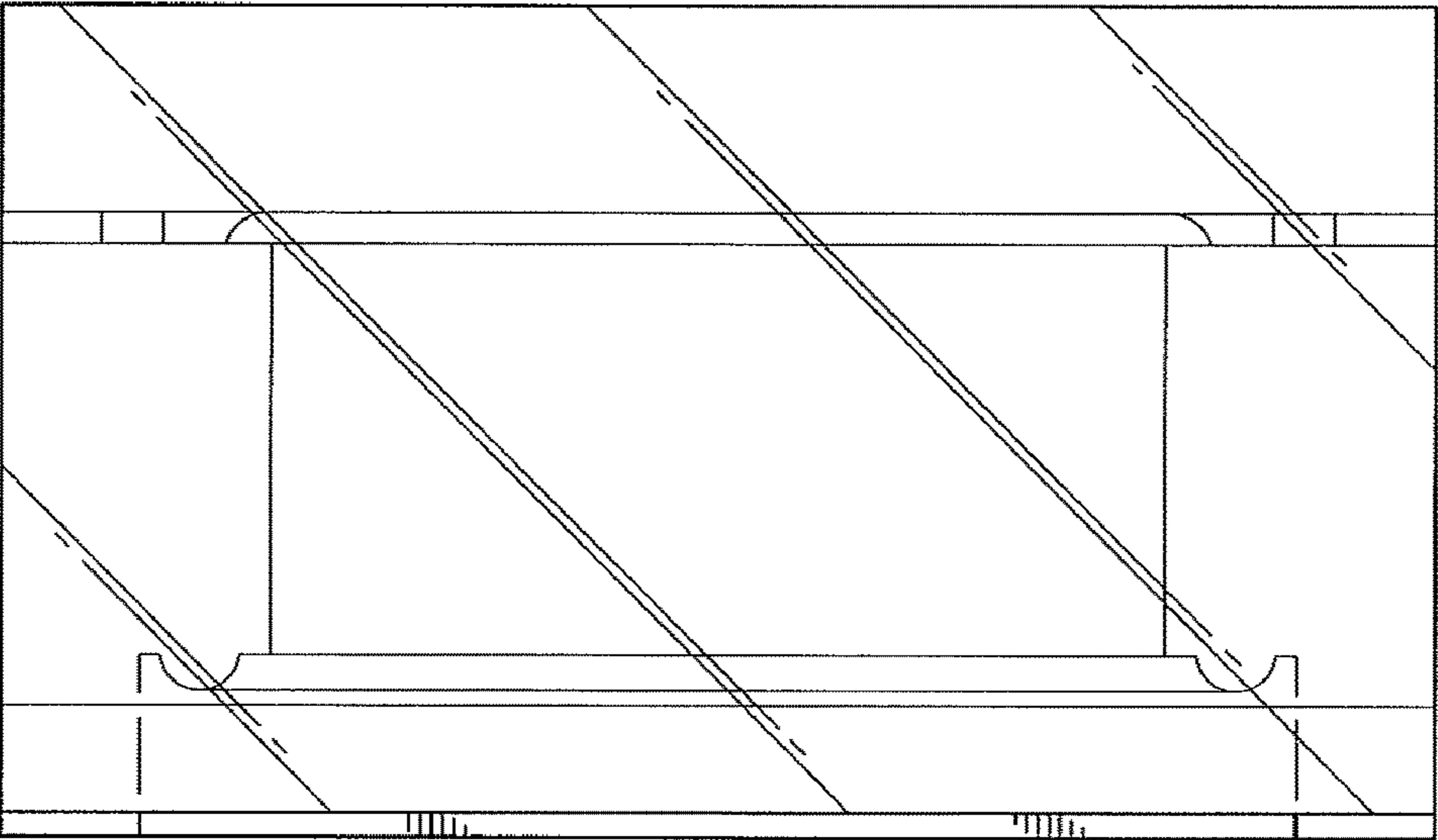
**FIG. 4**



**FIG. 5**



*FIG. 6*



*FIG. 7*

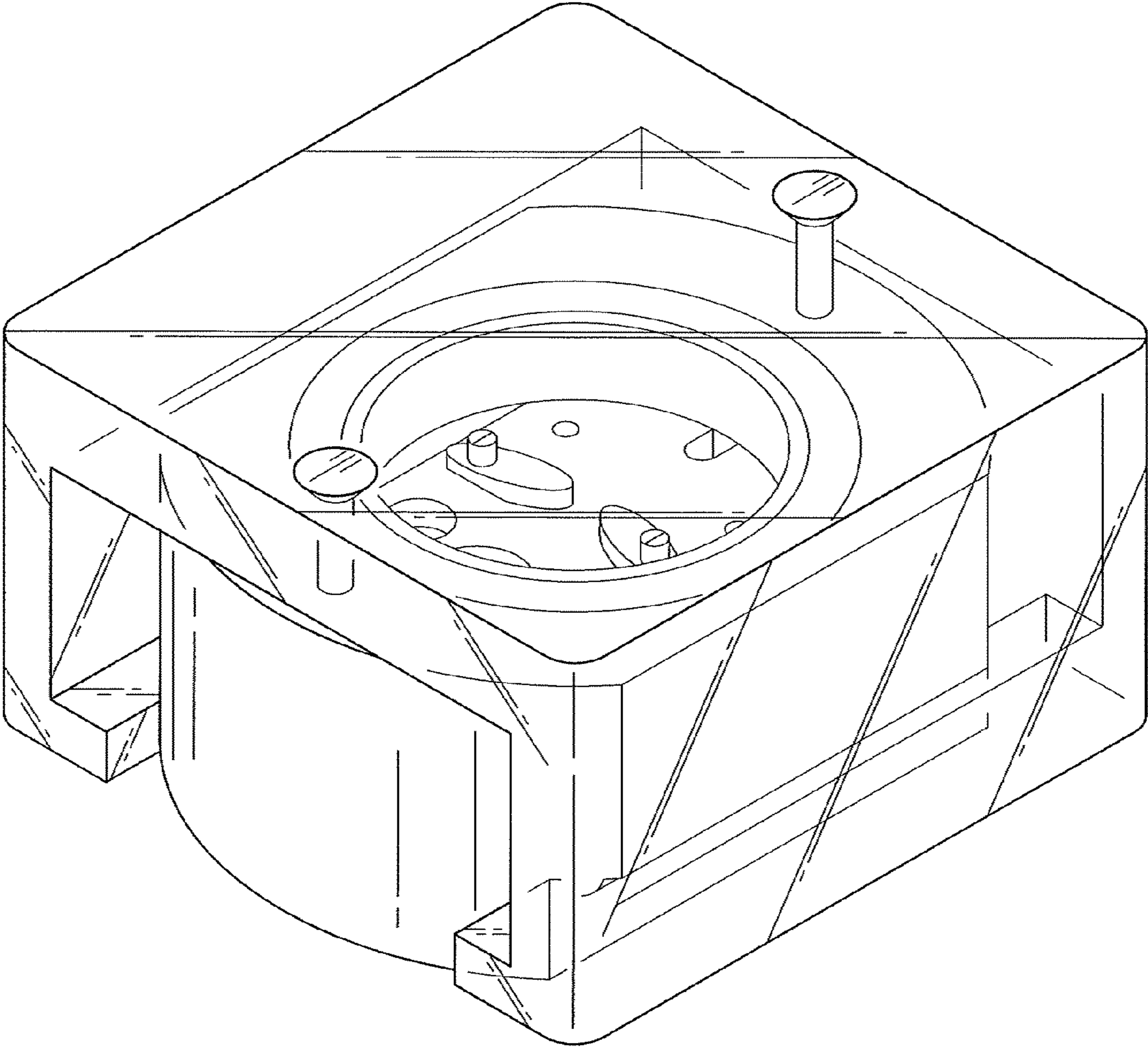


FIG. 8