



US00D651225S

(12) **United States Design Patent**
Koike et al.

(10) **Patent No.:** **US D651,225 S**

(45) **Date of Patent:** **** Dec. 27, 2011**

(54) **GRIPPING APPARATUS**

(75) Inventors: **Naoki Koike**, Osaka (JP); **Akira Maeda**, Osaka (JP)

(73) Assignee: **Yuyama Mfg. Co., Ltd.**, Toyonaka-Shi (JP)

(**) Term: **14 Years**

(21) Appl. No.: **29/372,918**

(22) Filed: **Feb. 3, 2011**

(51) **LOC (9) Cl.** **15-09**

(52) **U.S. Cl.** **D15/199**

(58) **Field of Classification Search** D8/394-396;
D15/138, 199; D21/578; 294/86.4, 88, 106,
294/115, 902; 414/729, 739; 623/64; 901/31,
901/37, 39

See application file for complete search history.

(56) **References Cited**

U.S. PATENT DOCUMENTS

4,439,090	A *	3/1984	Schaefer	414/736
4,784,422	A *	11/1988	Jones et al.	294/106
5,280,981	A *	1/1994	Schulz	294/106
D604,752	S *	11/2009	Haag et al.	D15/199
D631,739	S *	2/2011	Craig et al.	D8/396
2001/0020791	A1 *	9/2001	Moilanen et al.	294/88
2003/0090115	A1 *	5/2003	Kim et al.	294/106
2004/0207222	A1 *	10/2004	Miyamoto	294/88
2006/0145494	A1 *	7/2006	Nihei et al.	294/106
2007/0048119	A1 *	3/2007	Adachi et al.	414/729
2008/0018124	A1 *	1/2008	Waldorf et al.	294/116
2008/0073922	A1 *	3/2008	Holtz	294/88
2008/0152472	A1 *	6/2008	Wild et al.	414/739
2009/0067973	A1 *	3/2009	Eliuk et al.	414/729
2009/0085364	A1 *	4/2009	Pellenc et al.	294/106
2010/0007160	A1 *	1/2010	Glotzl	294/88
2010/0068024	A1 *	3/2010	Agens	414/729
2010/0084882	A1 *	4/2010	Maeder	294/106
2010/0095799	A1 *	4/2010	Albin et al.	74/490.01
2010/0096869	A1 *	4/2010	Mantz	294/86.4

2010/0101356	A1 *	4/2010	Albin	74/490.03
2010/0123325	A1 *	5/2010	Maffeis	294/88
2010/0164243	A1 *	7/2010	Albin	294/106
2010/0217405	A1 *	8/2010	Bravo Castillo	623/64

* cited by examiner

Primary Examiner — Patricia Palasik

(74) *Attorney, Agent, or Firm* — Masuvalley and Partners

(57) **CLAIM**

The ornamental design for a gripping apparatus, as shown and described.

DESCRIPTION

FIG. 1 is an enlarged front perspective view of the gripping apparatus according to the invention;

FIG. 2 is a left side front perspective view of the gripping apparatus of FIG. 1.

FIG. 3 is a front elevation view of the gripping apparatus of FIG. 1.

FIG. 4 is a rear elevation view of the gripping apparatus of FIG. 1.

FIG. 5 is a right side elevation view of the gripping apparatus of FIG. 1.

FIG. 6 is a left side elevation view of the gripping apparatus of FIG. 1.

FIG. 7 is a top plan view of the gripping apparatus of FIG. 1.

FIG. 8 is a bottom plan view of the gripping apparatus of FIG. 1; and,

FIG. 9 is a perspective view of the gripping apparatus of FIG. 1 as employed in a vial manipulating unit, shown in broken lines.

The broken lines are included for the purpose of illustrating an example environment of the gripping apparatus and form no part of the claimed invention. Portions of the gripping apparatus shown in broken lines form no part of the claimed invention.

1 Claim, 5 Drawing Sheets

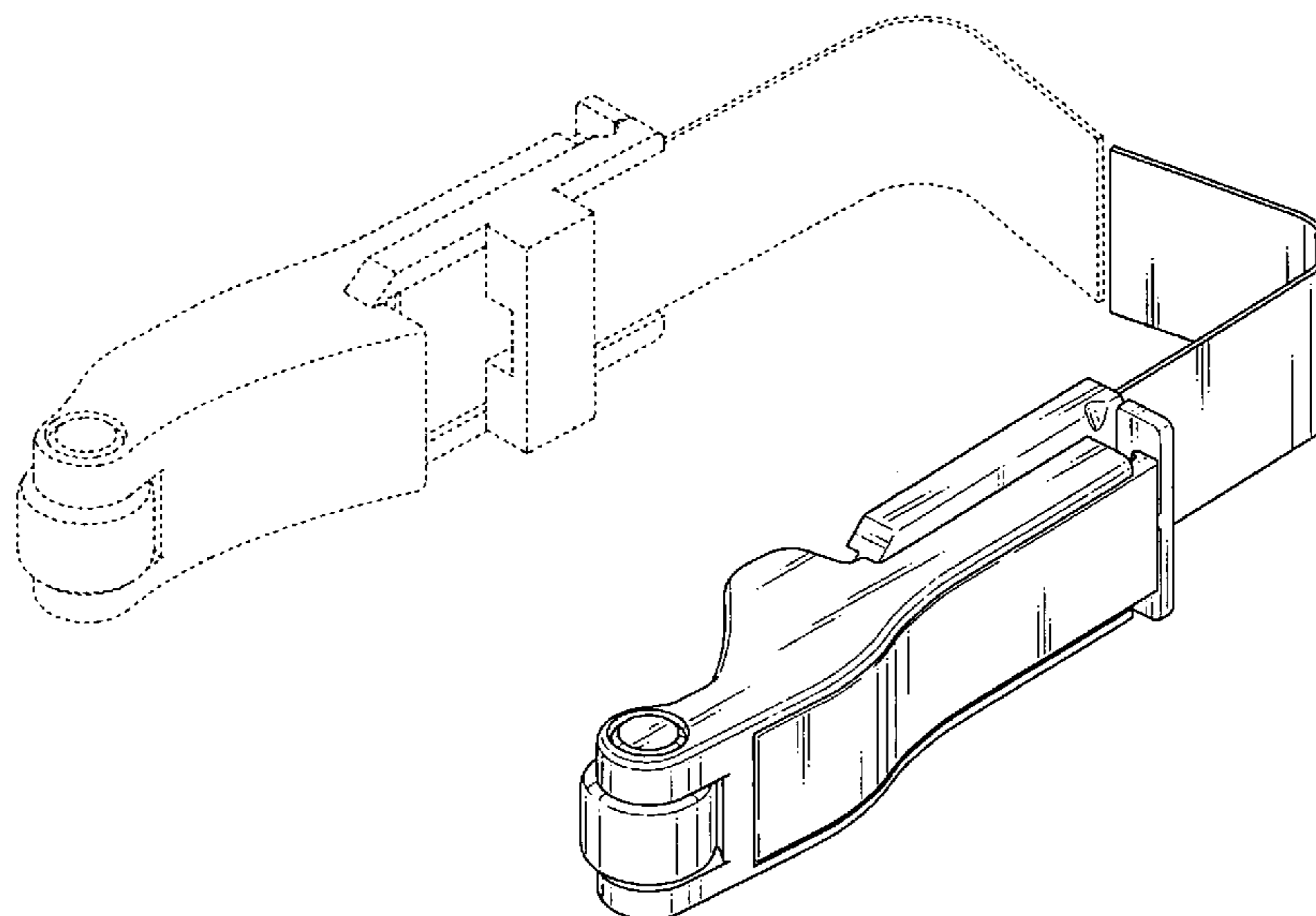


Fig. 1

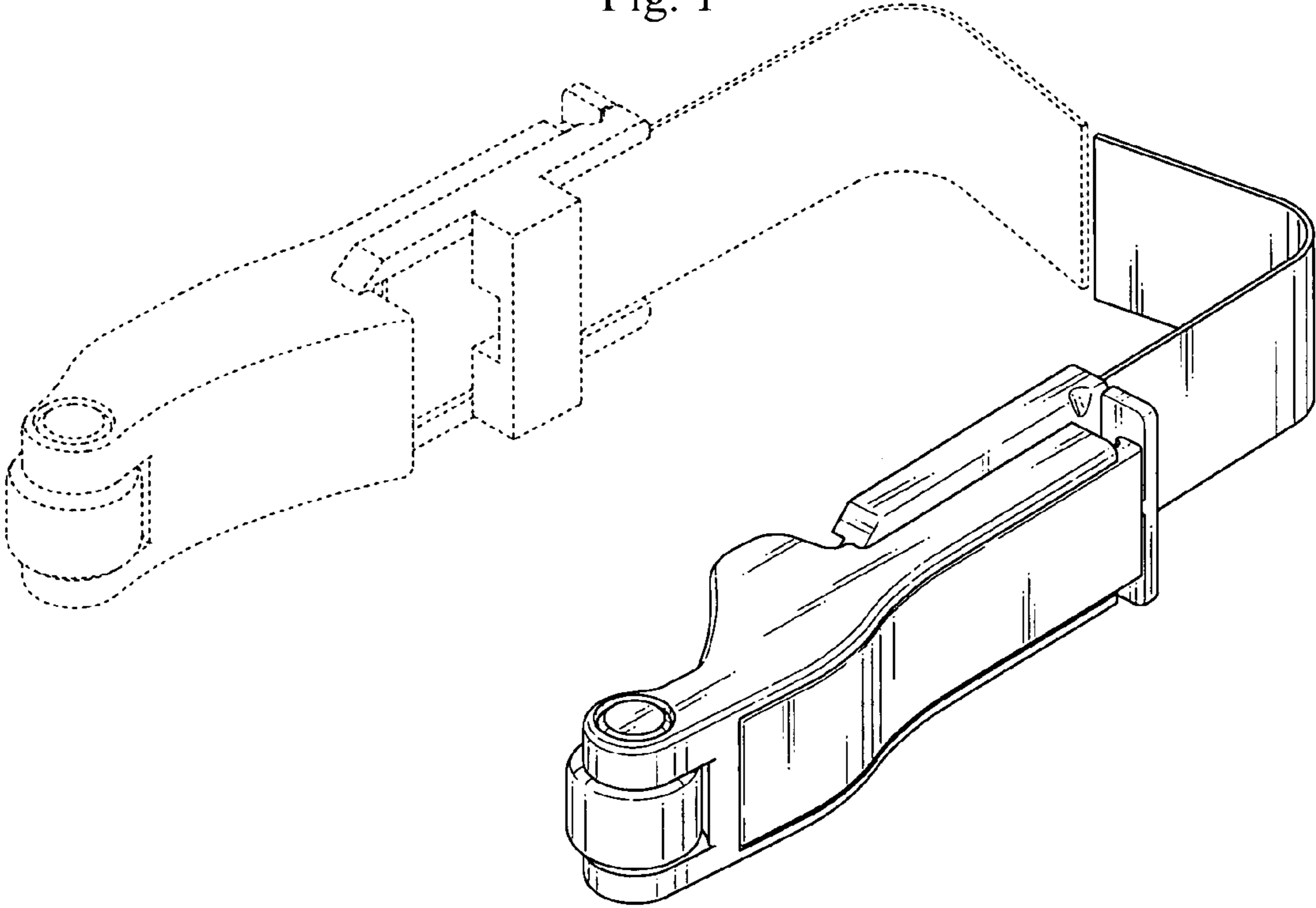


Fig. 2

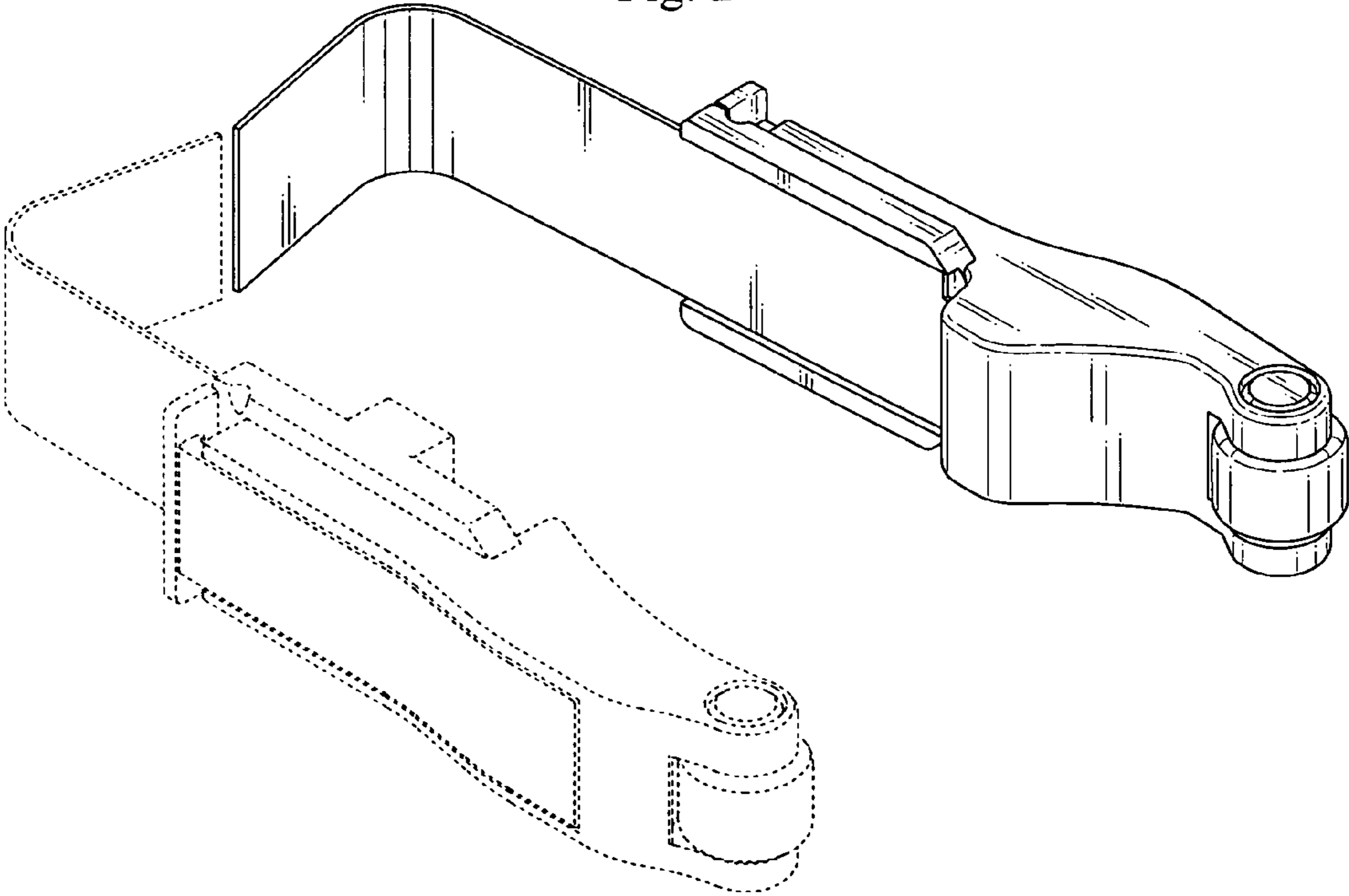


Fig. 3

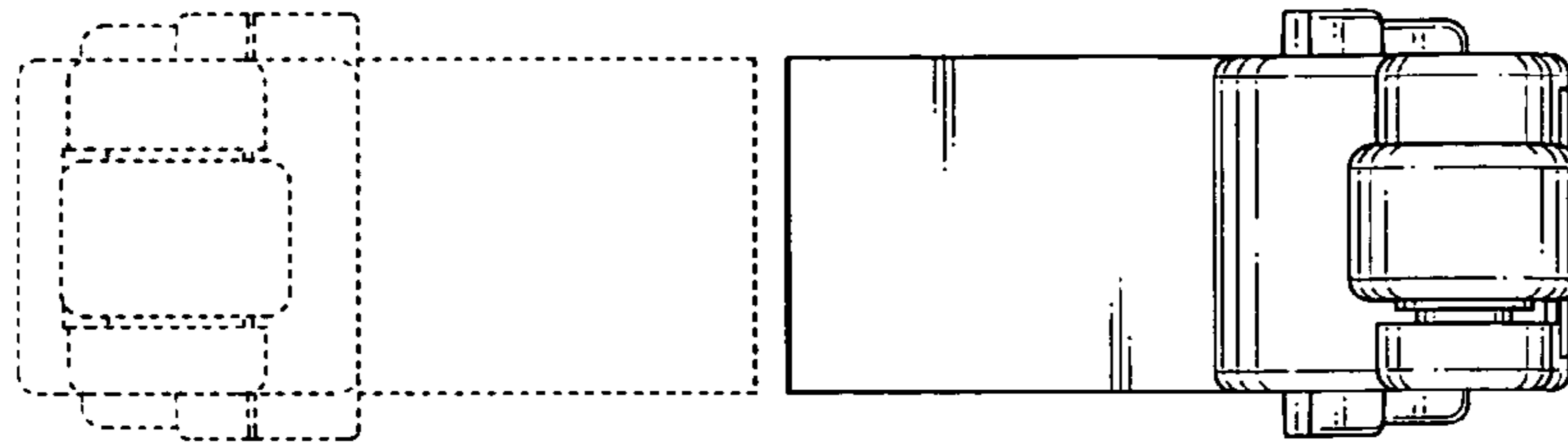


Fig. 4

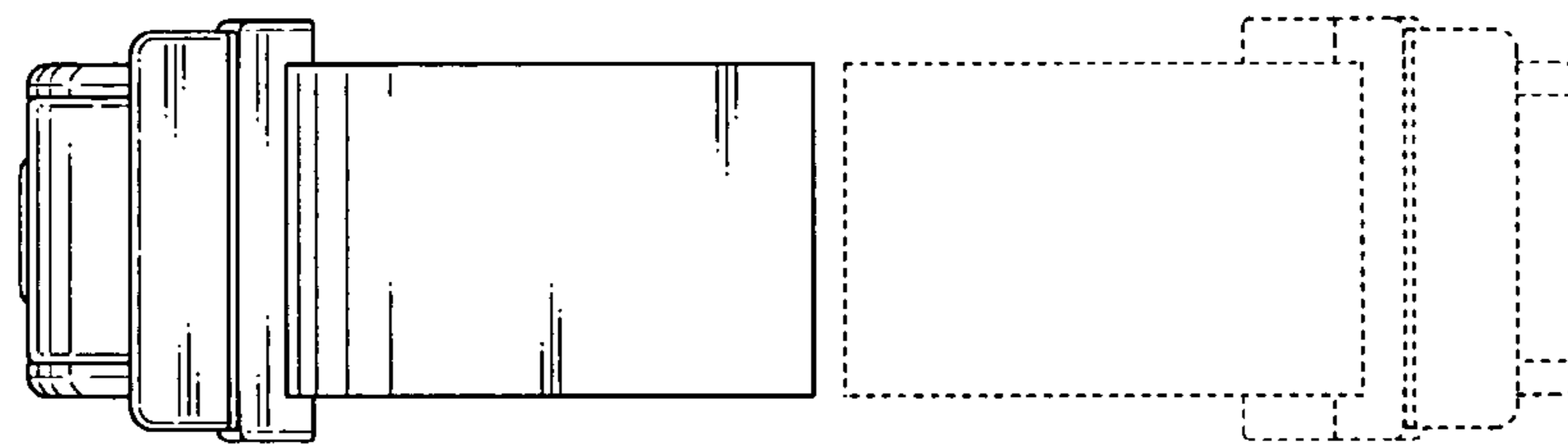


Fig. 5

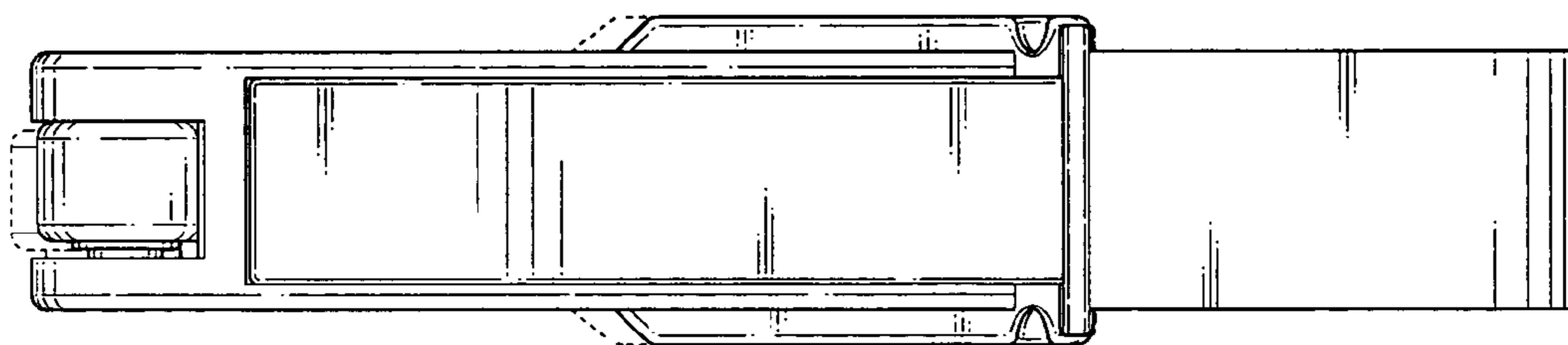


Fig. 6

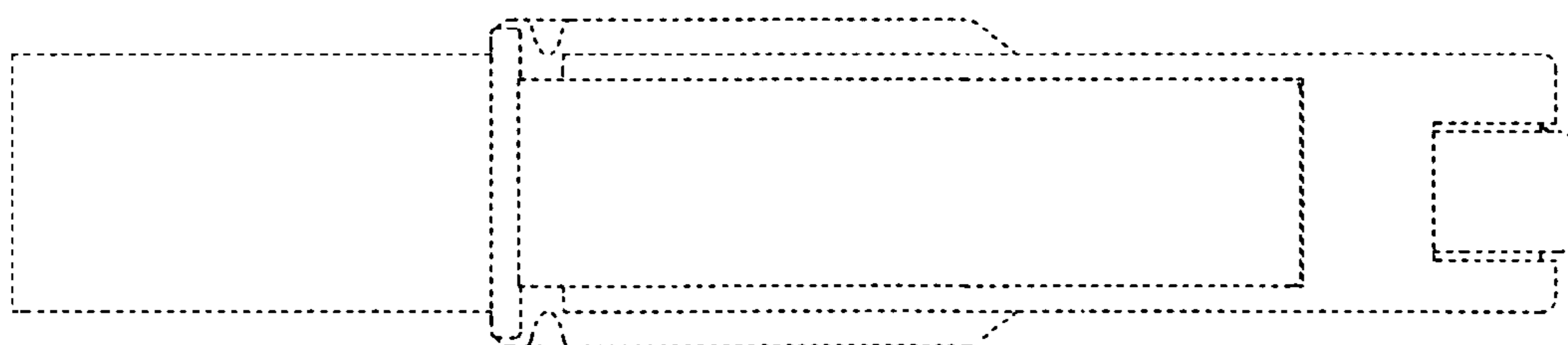


Fig. 7

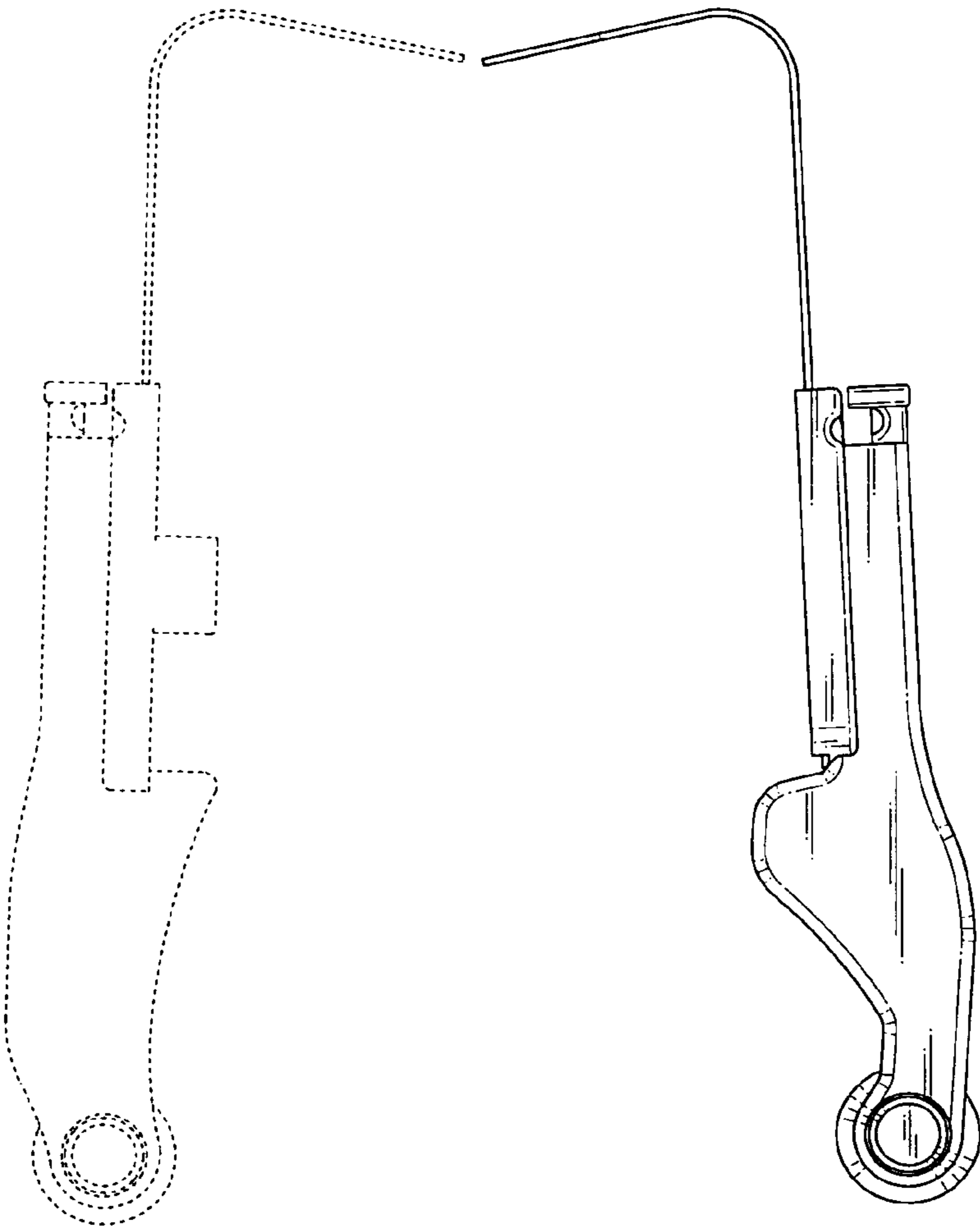


Fig. 8

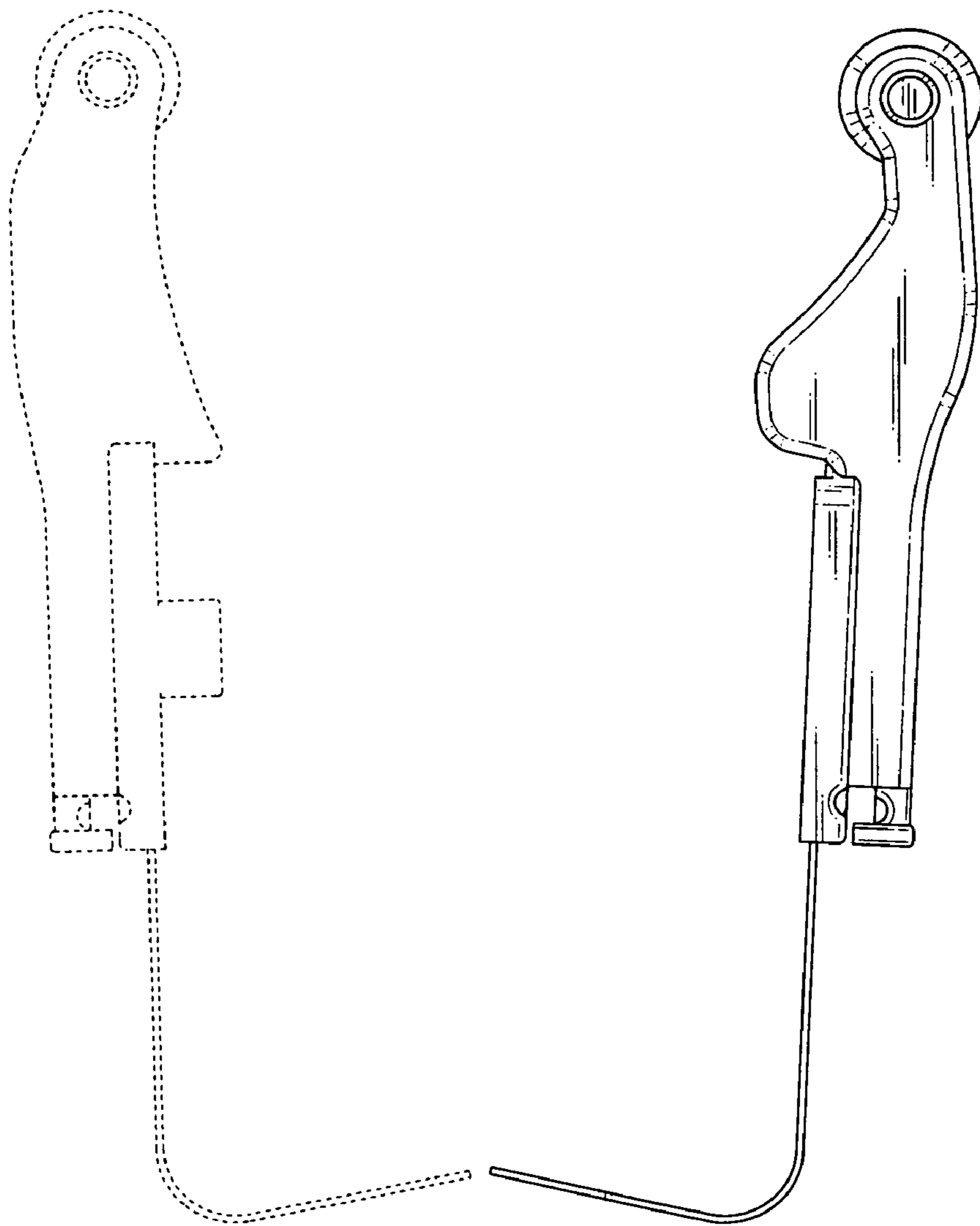


Fig. 9

