



US00D651224S

(12) **United States Design Patent**
Takahashi et al.

(10) **Patent No.:** **US D651,224 S**
(45) **Date of Patent:** **** Dec. 27, 2011**

(54) **CUTTING INSERT**

(75) Inventors: **Hidebumi Takahashi**, Ibaraki-ken (JP);
Hiroshi Hoki, Ibaraki-ken (JP); **Hiroaki**
Hayashizaki, Ibaraki-ken (JP)

(73) Assignee: **Mitsubishi Materials Corporation**,
Tokyo (JP)

(**) Term: **14 Years**

(21) Appl. No.: **29/392,043**

(22) Filed: **May 17, 2011**

Related U.S. Application Data

(62) Division of application No. 29/294,338, filed on Jan. 4,
2008, now Pat. No. Des. 640,716.

(30) **Foreign Application Priority Data**

Jul. 5, 2007 (JP) 2007-018147
Dec. 5, 2007 (JP) 2007-033430
Dec. 5, 2007 (JP) 2007-033431
Dec. 5, 2007 (JP) 2007-033432

(51) **LOC (9) Cl.** **15-09**

(52) **U.S. Cl.** **D15/139**

(58) **Field of Classification Search** D8/70;
D15/138, 139, 140; 407/33-52, 77, 107-120
See application file for complete search history.

(56) **References Cited**

U.S. PATENT DOCUMENTS

D100,199	S	*	6/1936	Burgess	D13/103
4,691,998	A	*	9/1987	Sakagaito et al.	359/855
D320,213	S	*	9/1991	Logan et al.	D15/126
6,079,912	A		6/2000	Rothballer		
D482,706	S		11/2003	Svensson		
6,641,337	B1		11/2003	Rothballer		
6,935,815	B2		8/2005	Schwamer et al.		
2004/0007115	A1		1/2004	Schwamer et al.		

FOREIGN PATENT DOCUMENTS

JP D1321033 2/2008

* cited by examiner

Primary Examiner — Patricia Palasik

(74) *Attorney, Agent, or Firm* — Leason Ellis LLP.

(57) **CLAIM**

The ornamental design for a cutting insert, as shown and described.

DESCRIPTION

FIG. 1 is a perspective view of an embodiment of the cutting insert.

FIG. 2 is a front elevation view thereof. A rear elevation view is identical with the front elevation view.

FIG. 3 is a top plain view thereof.

FIG. 4 is a bottom plan view thereof.

FIG. 5 is a right side elevation view thereof. A left side elevation view is identical with the right side elevation view; and,

FIG. 6 is a cross-sectional view thereof taken along line 14-14 in FIG. 2.

1 Claim, 6 Drawing Sheets

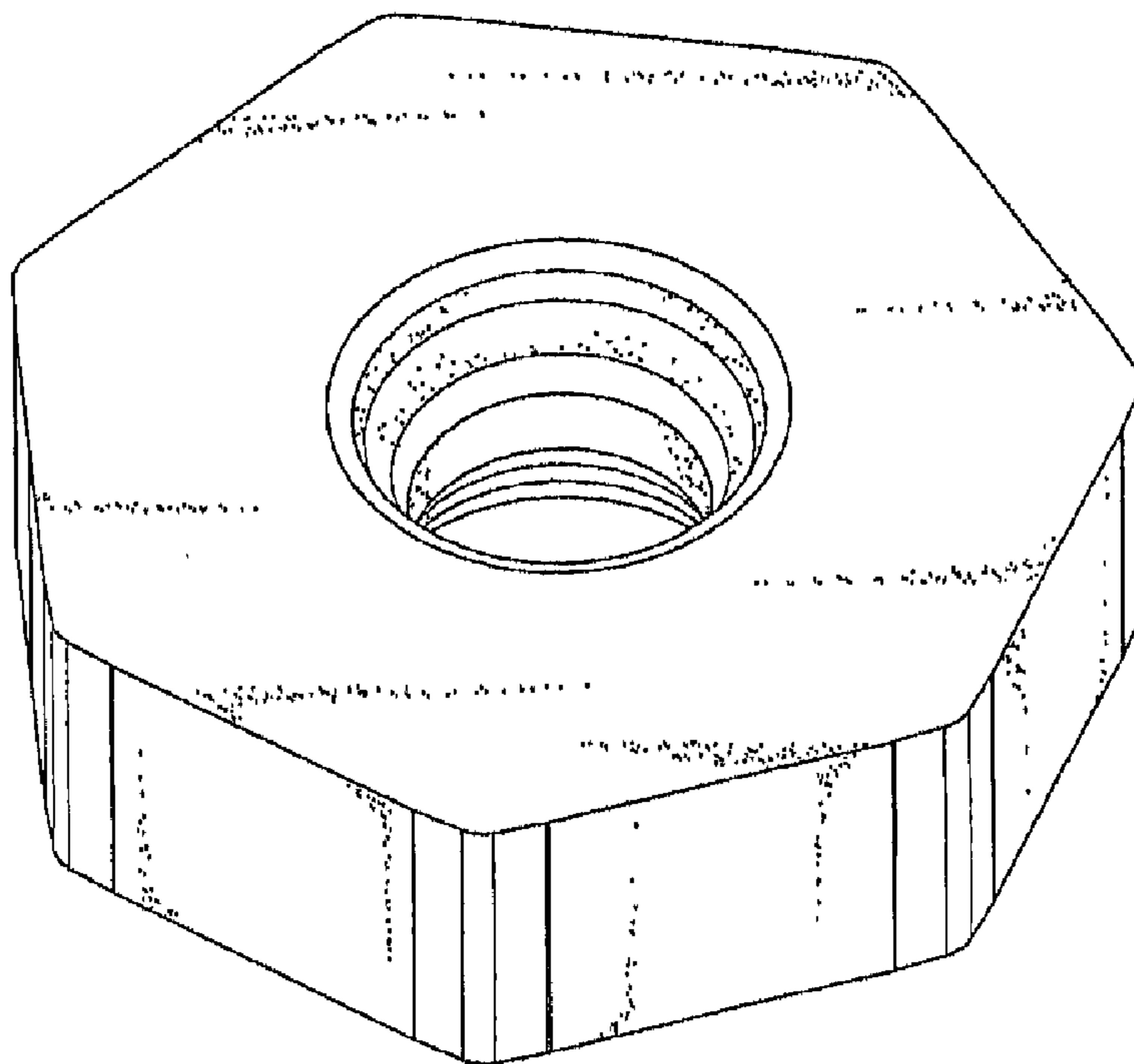


FIG. 1

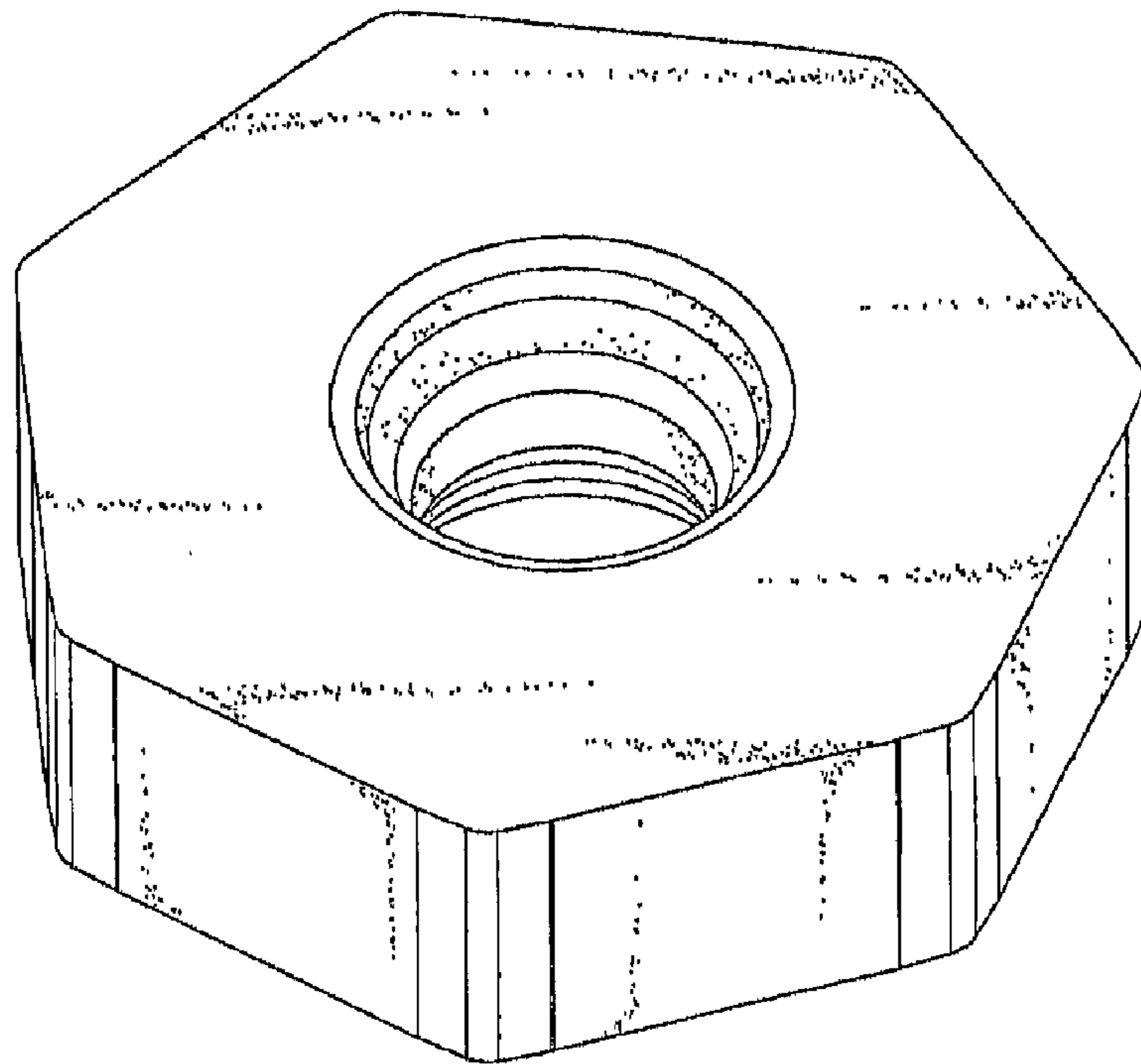


FIG. 2

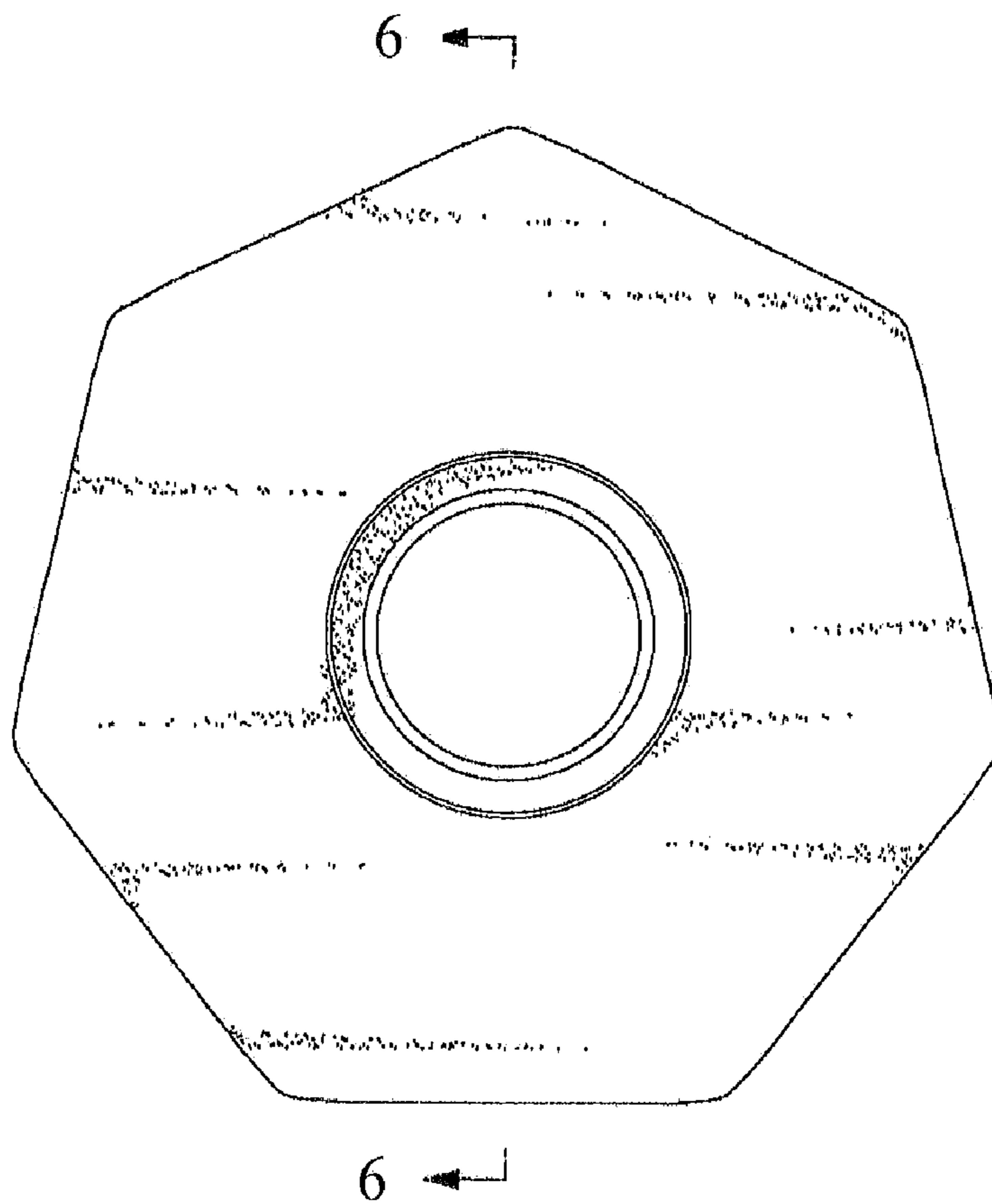


FIG. 3

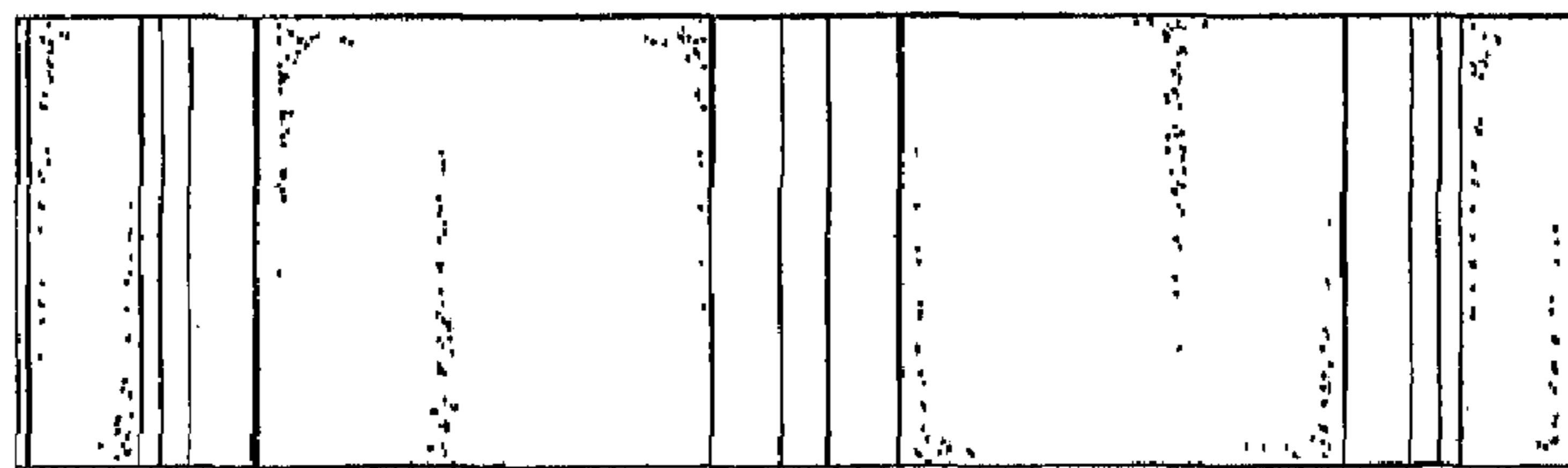


FIG. 4

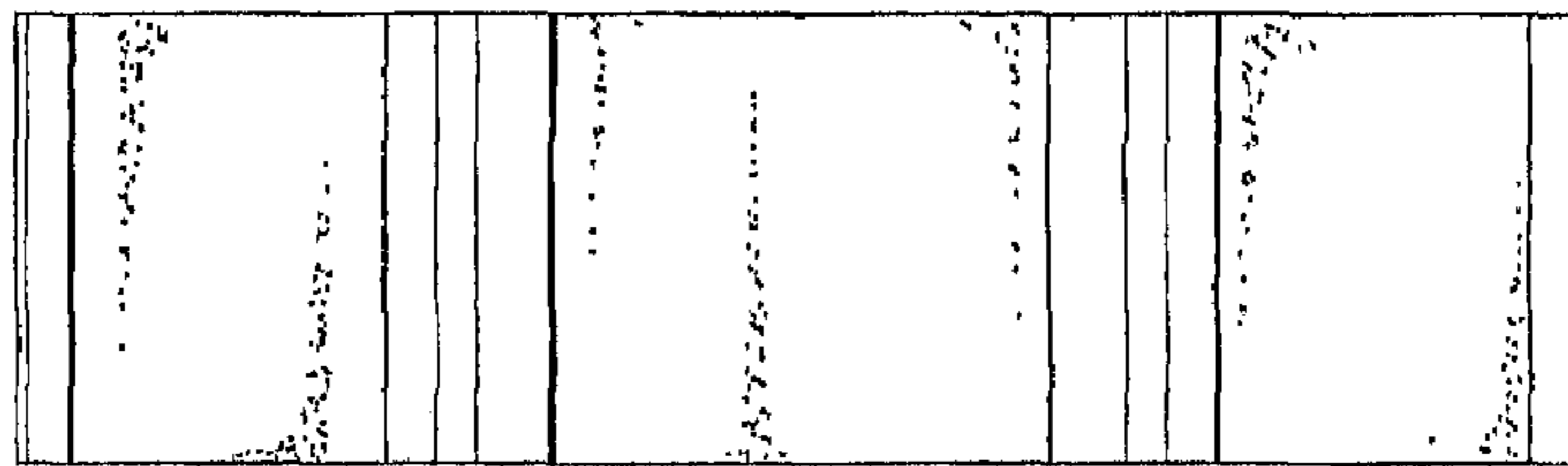


FIG. 5

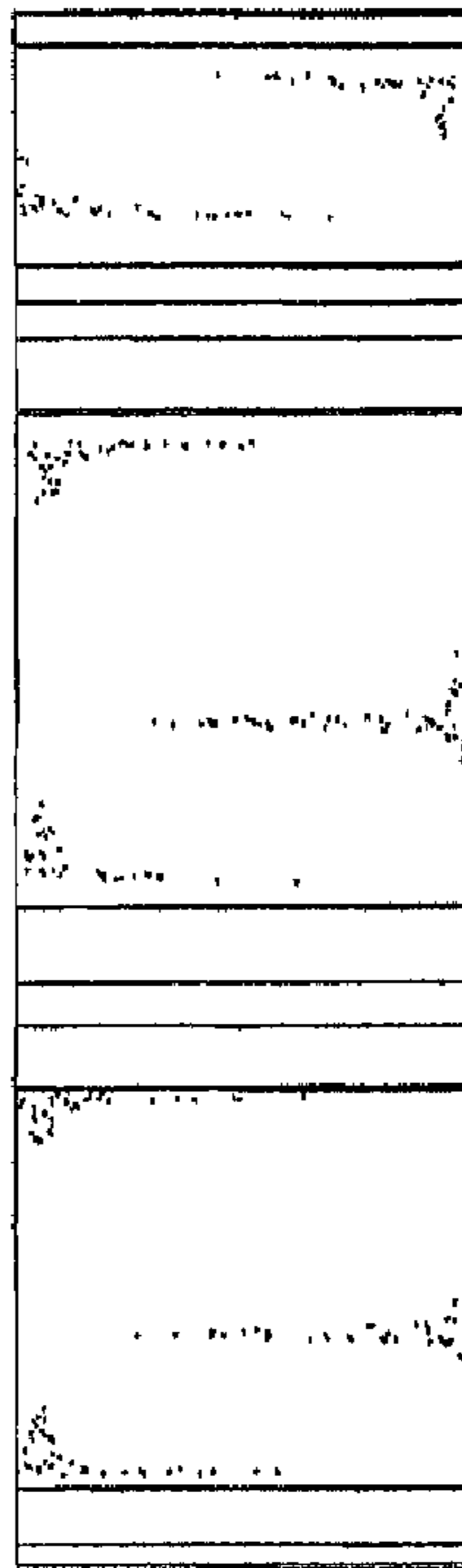


FIG. 6

