



US00D651219S

(12) **United States Design Patent**  
**Hall et al.**

(10) **Patent No.:** **US D651,219 S**

(45) **Date of Patent:** **\*\* Dec. 27, 2011**

(54) **EXCAVATOR RIGGING SOCKET**

(75) Inventors: **Bevan Hall**, Birkdale (AU); **John De Wit**, Eatons Hill (AU); **Robert Moloney**, Murarrie (AU)

(73) Assignee: **CQMS Pty Ltd**, MacKay, Queensland (AU)

(\*\*) Term: **14 Years**

(21) Appl. No.: **29/378,842**

(22) Filed: **Nov. 10, 2010**

(30) **Foreign Application Priority Data**

May 24, 2010 (AU) ..... 12089/2010

(51) **LOC (9) Cl.** ..... **15-03**

(52) **U.S. Cl.** ..... **D15/21; D15/28**

(58) **Field of Classification Search** ..... D15/11, D15/17, 18, 21, 28; D8/1, 70; 37/399, 396, 37/397, 395, 398, 401; 403/64; 29/428  
See application file for complete search history.

(56) **References Cited**

**U.S. PATENT DOCUMENTS**

2,438,548	A *	3/1948	Ehmann	.....	403/64
5,367,798	A *	11/1994	Hughes	.....	37/399
D359,498	S *	6/1995	Woodward et al.	.....	D15/28
D397,596	S *	9/1998	Morin	.....	D8/14

5,970,636	A *	10/1999	Briscoe et al.	.....	37/396
5,992,061	A *	11/1999	Fleck et al.	.....	37/397
6,209,234	B1 *	4/2001	Meyers	.....	37/398
D487,099	S *	2/2004	Bruns et al.	.....	D15/28
D521,531	S *	5/2006	Provines	.....	D15/28
7,472,502	B2 *	1/2009	Gregory et al.	.....	37/397
7,721,473	B2 *	5/2010	Lunn	.....	37/398
2006/0160435	A1 *	7/2006	Campbell et al.	.....	439/878
2009/0136291	A1 *	5/2009	McClanahan et al.	.....	403/156
2011/0110708	A1 *	5/2011	Miotke et al.	.....	403/64

\* cited by examiner

*Primary Examiner* — Mark Goodwin

(74) *Attorney, Agent, or Firm* — Wong, Cabello, Lutsch, Rutherford & Brucculeri, L.L.P.

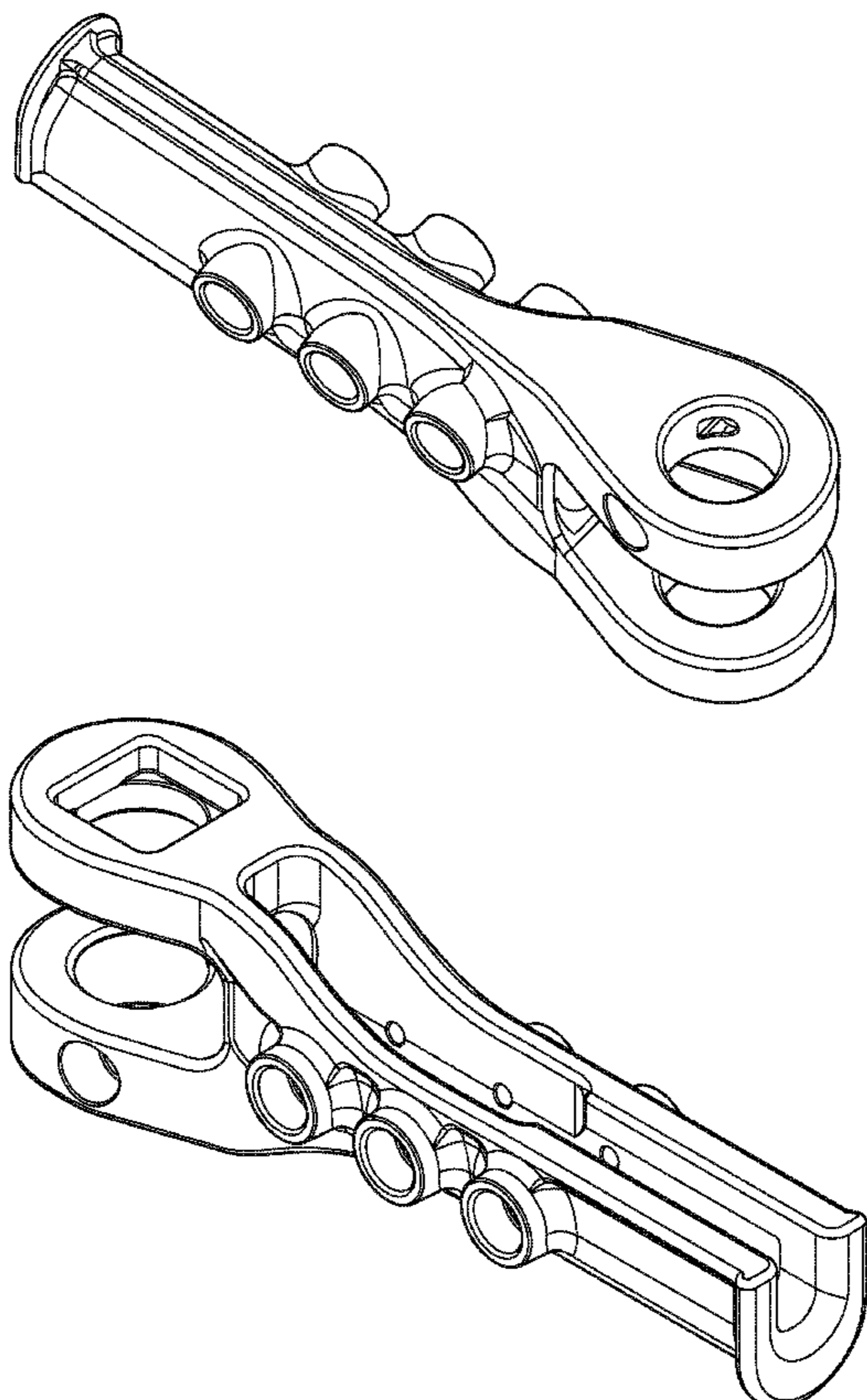
(57) **CLAIM**

The ornamental design for an excavator rigging socket, as shown and described.

**DESCRIPTION**

FIG. 1 is a left side view of an excavator rigging socket showing our new design;  
FIG. 2 is a right side view thereof;  
FIG. 3 is a top view thereof;  
FIG. 4 is a bottom view thereof;  
FIG. 5 is a bottom perspective view thereof;  
FIG. 6 is a top perspective view thereof;  
FIG. 7 is a rear view thereof; and,  
FIG. 8 is a front view thereof.

**1 Claim, 5 Drawing Sheets**



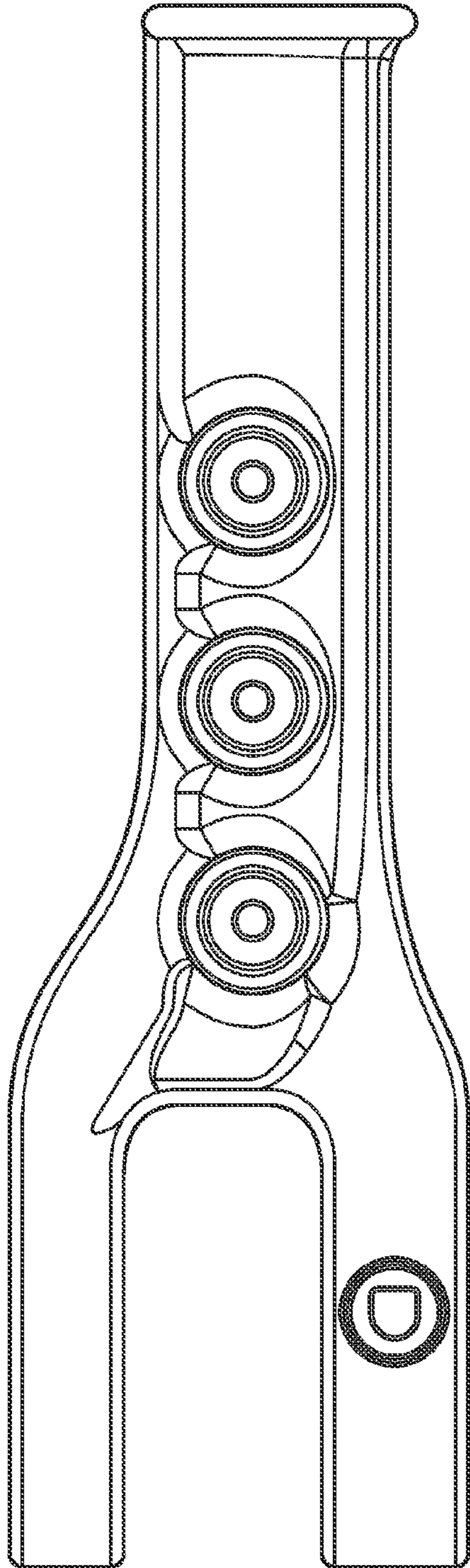


FIG. 1

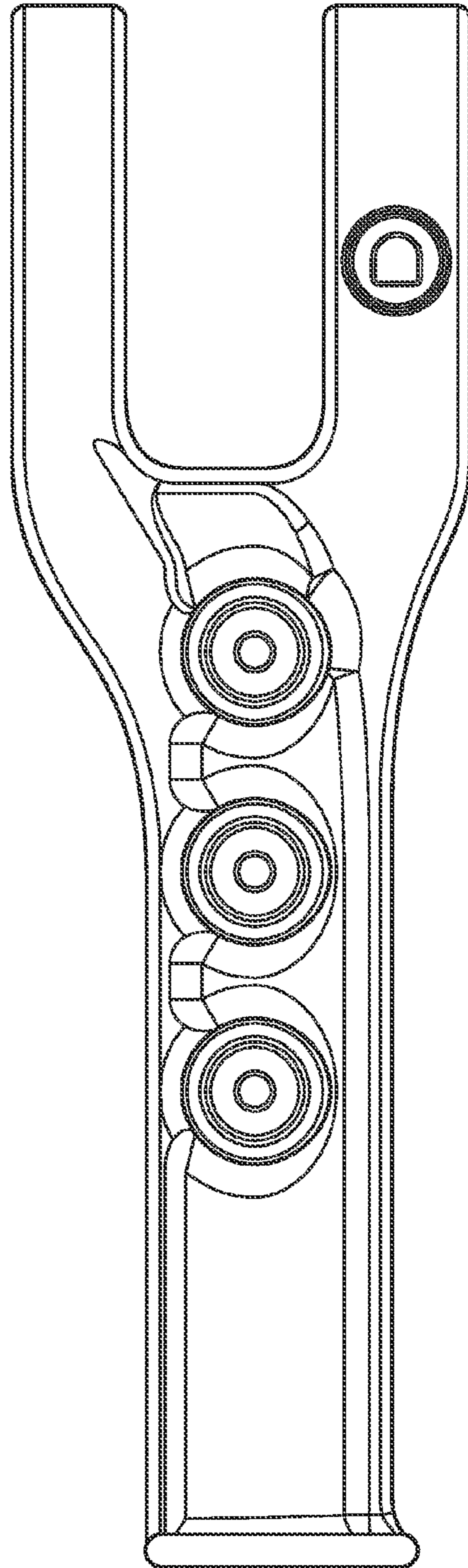


FIG. 2

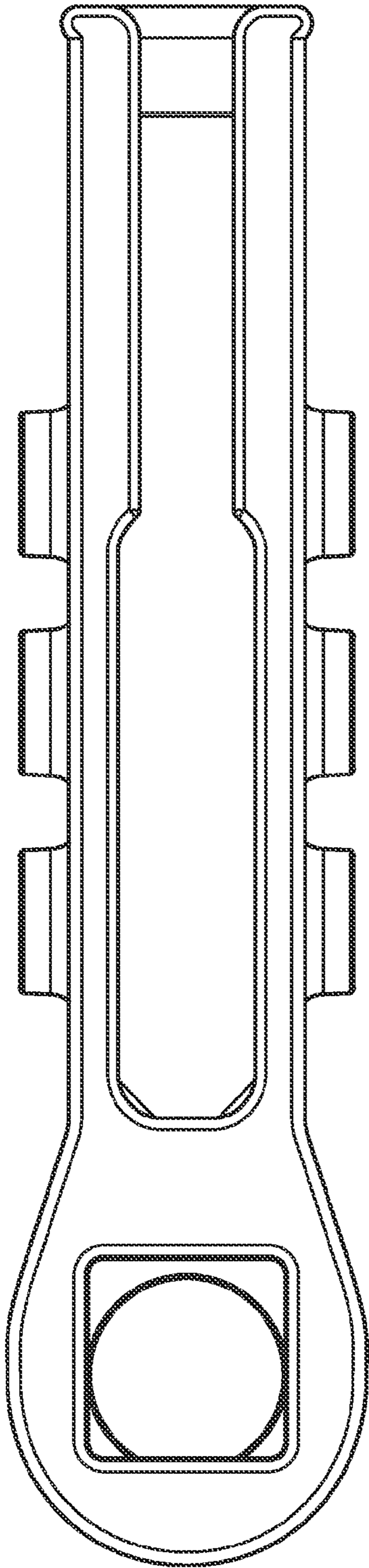


FIG. 3

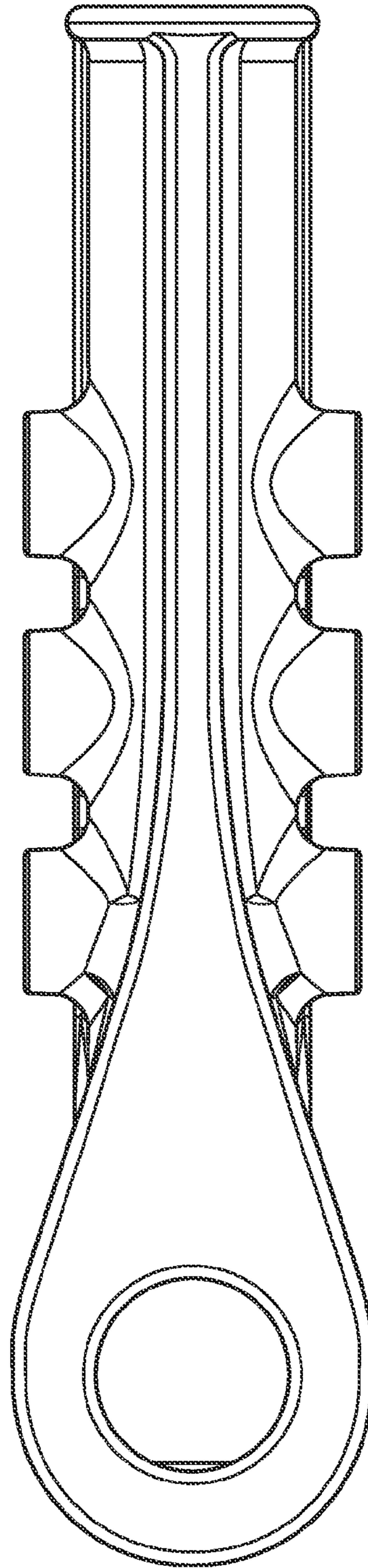


FIG. 4

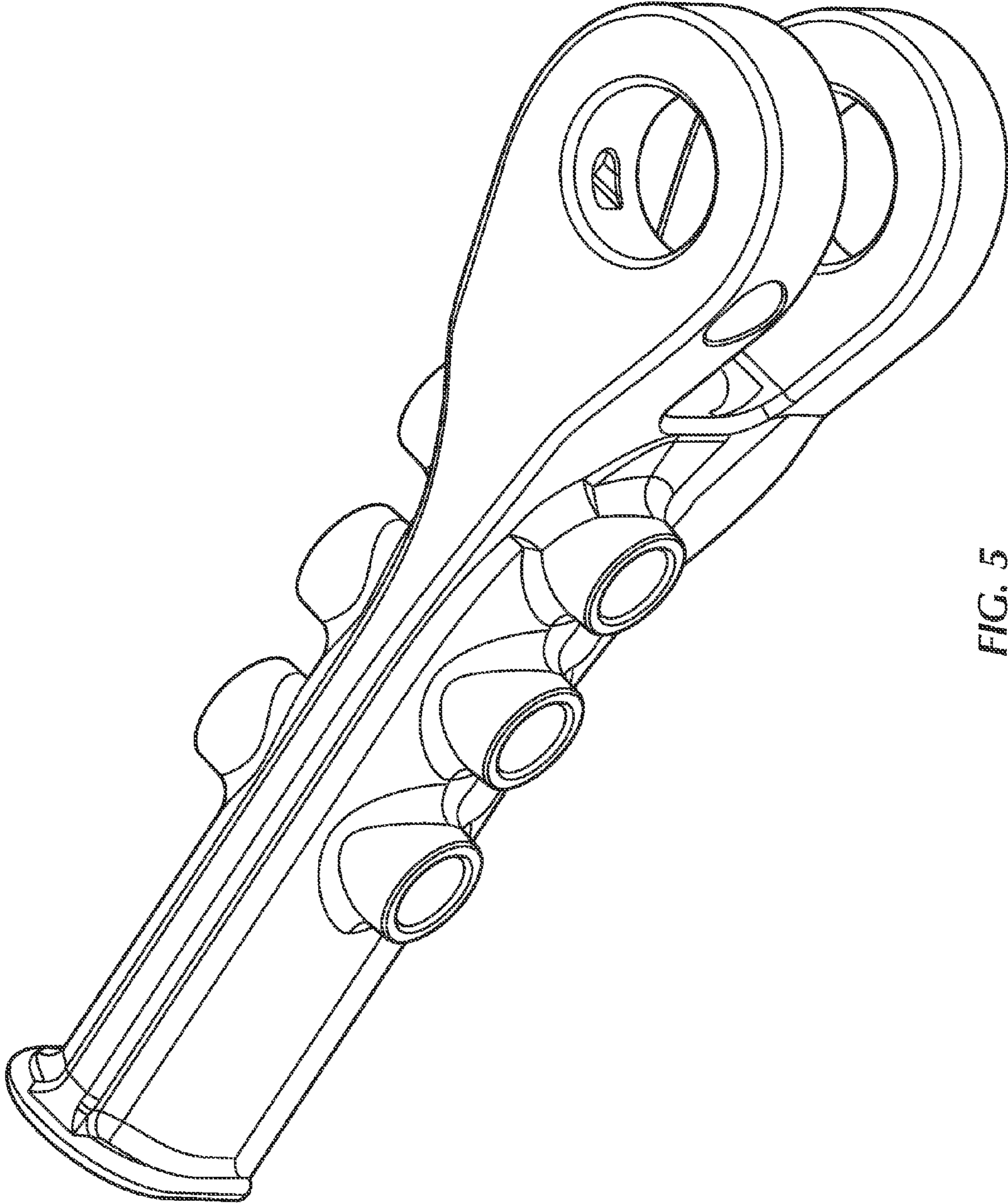


FIG. 5

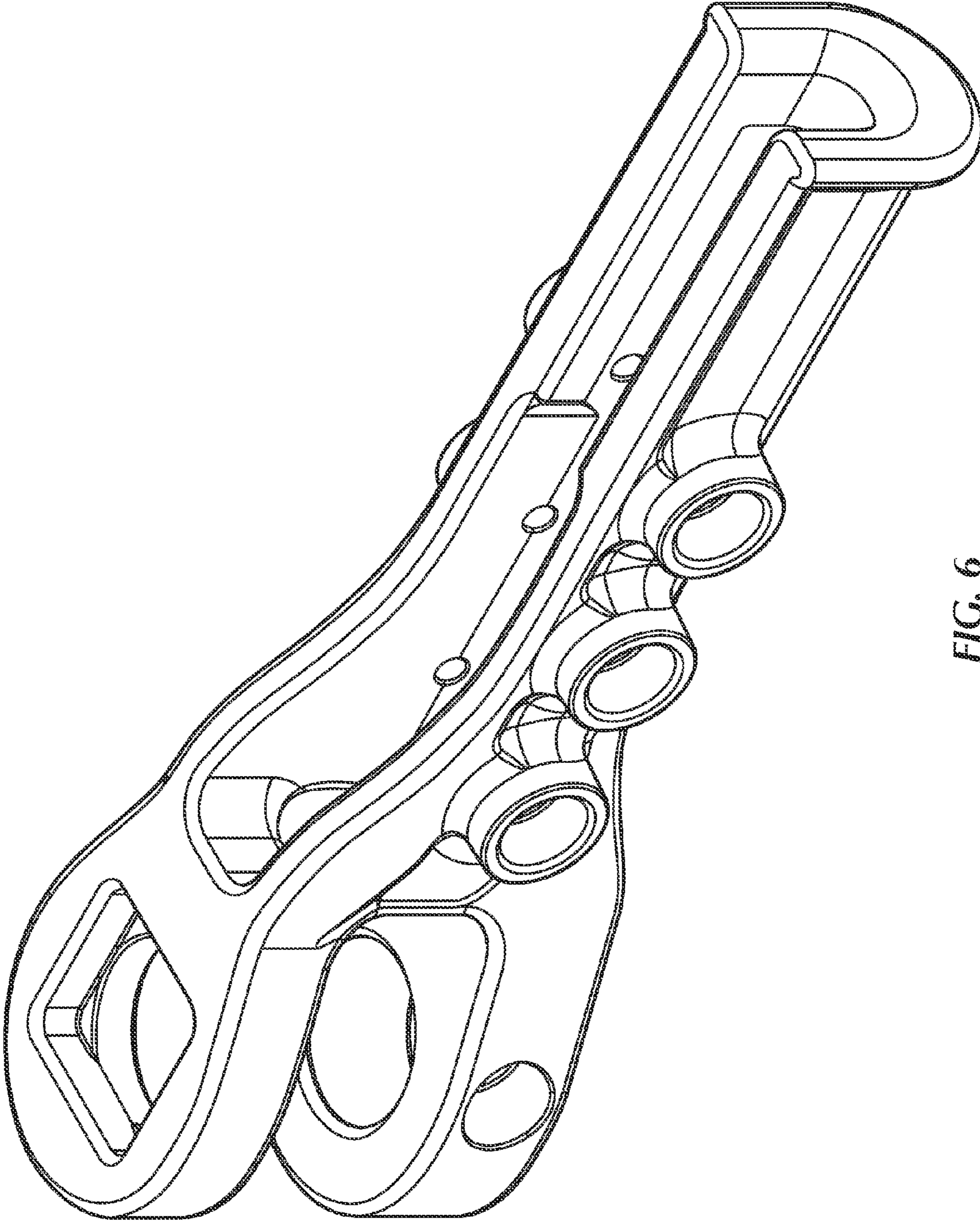


FIG. 6

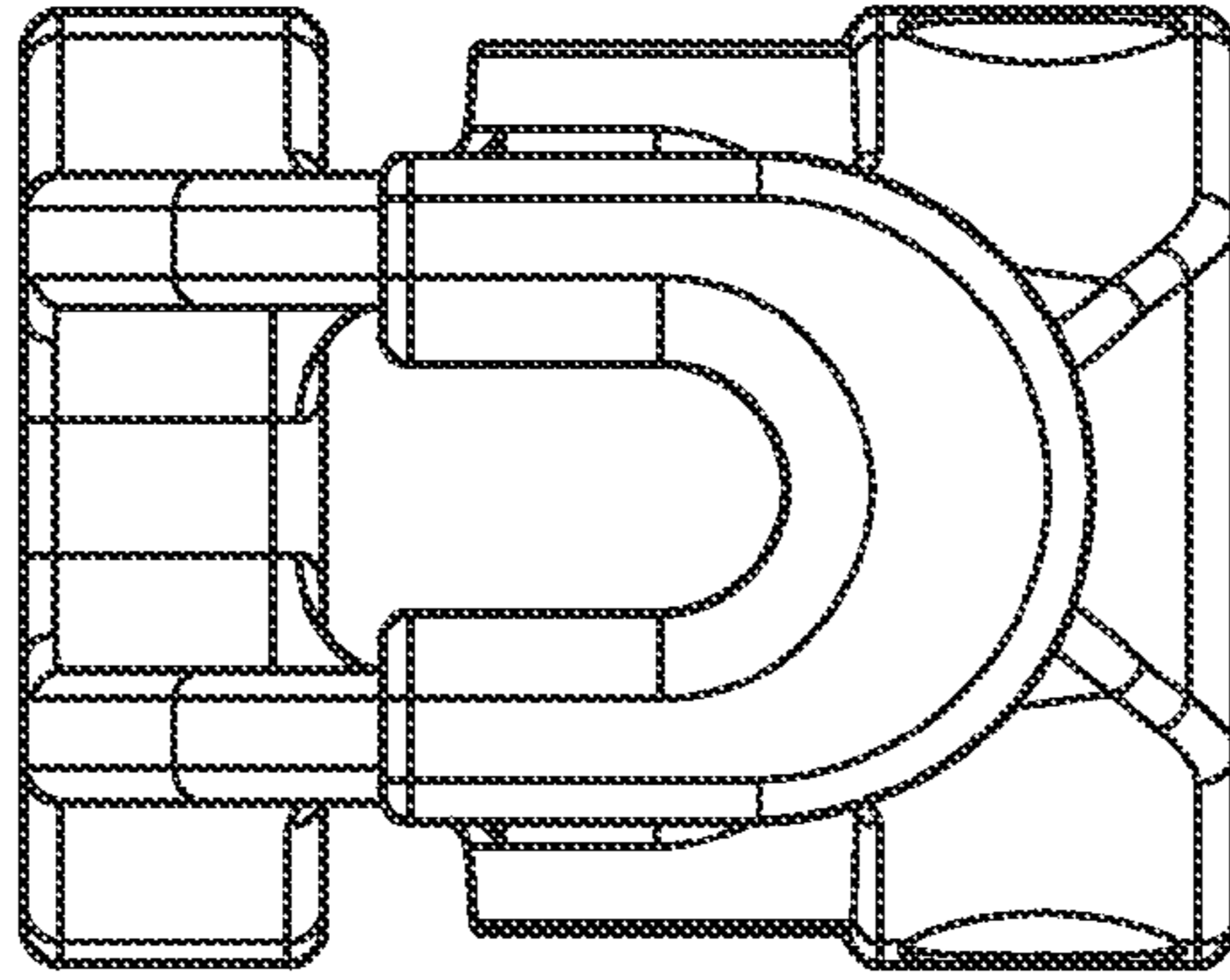


FIG. 8

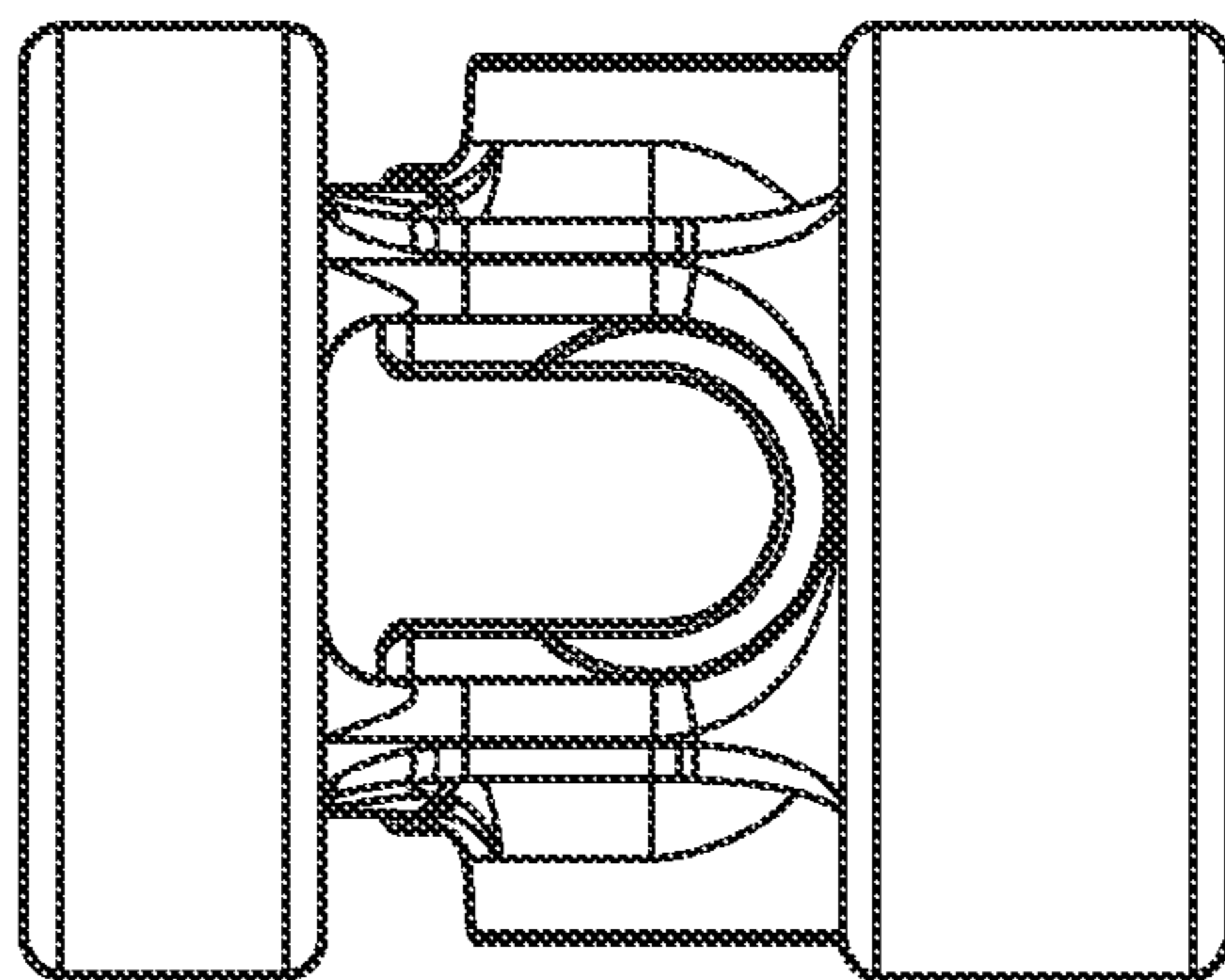


FIG. 7