



US00D651218S

(12) **United States Design Patent**
Stokes et al.

(10) **Patent No.:** **US D651,218 S**
(45) **Date of Patent:** **** Dec. 27, 2011**

(54) **REEL MOWER**

(75) Inventors: **Steven Stokes**, Mazomanie, WI (US);
Andrew P. Block, Middleton, WI (US);
Daniel J. Lipscomb, Prairie du Sac, WI
(US); **Colin Roberts**, Stevens Point, WI
(US)

D219,394 S 12/1970 Graham et al.
3,576,097 A 4/1971 Speiser
3,581,480 A 6/1971 O'Connor et al.
3,613,340 A 10/1971 Akgulian et al.
3,685,265 A 8/1972 Horowitz et al.
3,895,481 A 7/1975 Olney et al.
3,918,239 A 11/1975 Aldred et al.
D247,038 S * 1/1978 Stallard D15/27

(Continued)

(73) Assignee: **Fiskars Brands, Inc.**, Madison, WI (US)

(**) Term: **14 Years**

FOREIGN PATENT DOCUMENTS
WO WO 92/12352 7/1992

(21) Appl. No.: **29/394,109**

OTHER PUBLICATIONS

(22) Filed: **Jun. 13, 2011**

European Search Report for Application No. EP 09 00 8138, mail date Aug. 4, 2010, 5 pages.

(51) **LOC (9) Cl.** **15-03**

(52) **U.S. Cl.** **D15/17**

(58) **Field of Classification Search** D15/10,
D15/14-18; 56/12.8, 12.7, 13.4, 16.7, 17.5,
56/202, 254, 255, 294, 11.4, 320.1, 320.2,
56/249, 252, 11.9, 17.1, 17.4, 295; 280/43.17
See application file for complete search history.

Primary Examiner — Mark Goodwin
(74) *Attorney, Agent, or Firm* — Foley & Lardner LLP

(57) **CLAIM**
We claim the ornamental design for a reel mower, as shown and described.

(56) **References Cited**

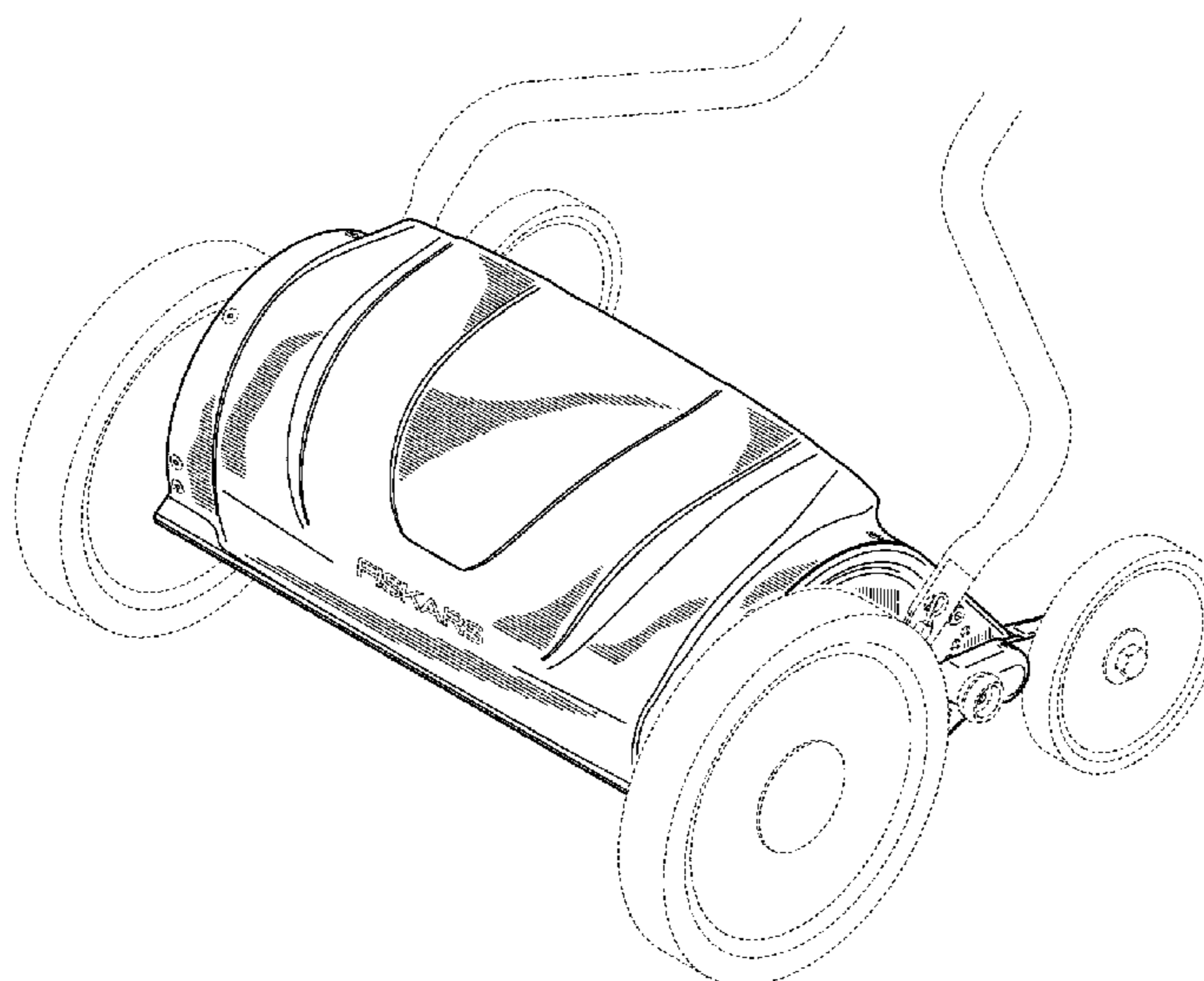
DESCRIPTION

U.S. PATENT DOCUMENTS

2,209,309 A 7/1940 George
2,266,307 A 12/1941 Clemson
2,319,038 A 5/1943 Clemson
D137,930 S * 5/1944 Schofield D15/17
D144,953 S * 6/1946 Wells D15/16
D146,333 S * 2/1947 Boyce D15/17
2,433,126 A * 12/1947 Kersey 56/249
2,671,300 A 3/1954 Kinkead
D177,466 S * 4/1956 Ford D15/16
D177,909 S * 6/1956 Gudmundsen D15/17
D178,278 S * 7/1956 Cole et al. D15/17
D178,596 S * 8/1956 Cole et al. D15/16
D182,499 S * 4/1958 Butler D15/16
2,972,218 A 2/1961 Benson
3,106,813 A 10/1963 Strasel

FIG. 1 is a top perspective view of a reel mower showing our new design;
FIG. 2 is a front elevation view of the claimed design;
FIG. 3 is a back elevation view of the claimed design;
FIG. 4 is a right side elevation view of the claimed design;
FIG. 5 is a left side elevation view of the claimed design;
FIG. 6 is a top view of the claimed design; and,
FIG. 7 is a bottom view of the claimed design.
The ornamental design which is claimed is shown in solid lines in the drawings. The broken lines in the drawings are for illustrative purposes only and form no part of the claimed design.

1 Claim, 7 Drawing Sheets



US D651,218 S

Page 2

U.S. PATENT DOCUMENTS			
4,345,419	A	8/1982	Chandler
D284,766	S	7/1986	Chai
4,653,256	A	3/1987	Saia
4,663,924	A	5/1987	Saia
D309,310	S *	7/1990	Fushiya et al. D15/14
5,170,613	A	12/1992	Heise et al.
5,241,810	A	9/1993	Reichen
D382,884	S	8/1997	Redman
5,822,966	A	10/1998	Snell
D451,522	S *	12/2001	Medley et al. D15/17
D509,513	S	9/2005	Henssler et al.
D511,348	S	11/2005	Elsworthy
D513,756	S	1/2006	Henssler et al.
D514,129	S	1/2006	Henssler et al.
D514,130	S	1/2006	Henssler et al.
D517,093	S	3/2006	Henssler et al.
7,007,446	B2	3/2006	Dettmann
7,377,092	B2	5/2008	Schmidt et al.
7,395,648	B1	7/2008	Silbernagel et al.
2010/0146923	A1	6/2010	Hallale
2010/0236209	A1	9/2010	Vaughan et al.

* cited by examiner

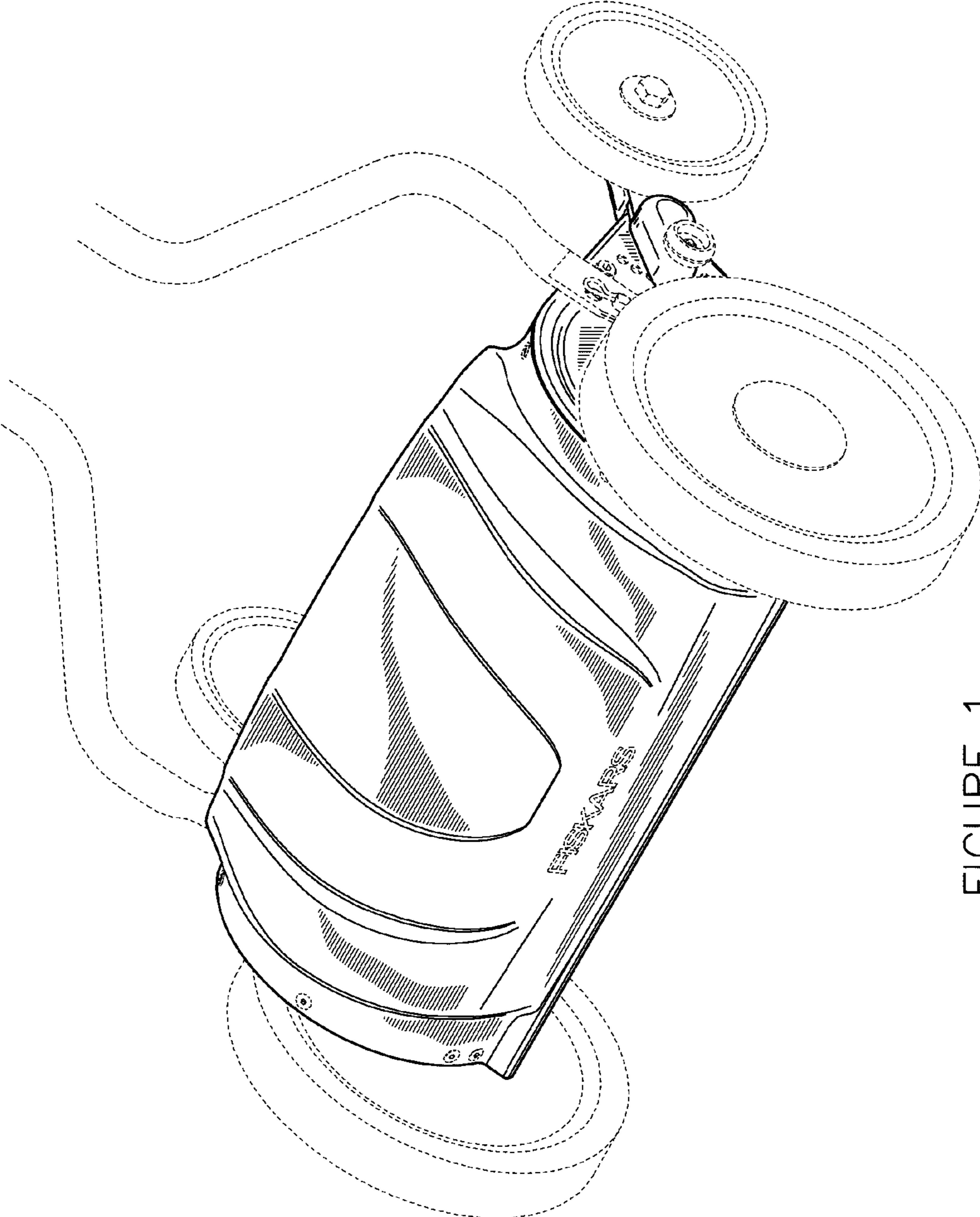


FIGURE 1

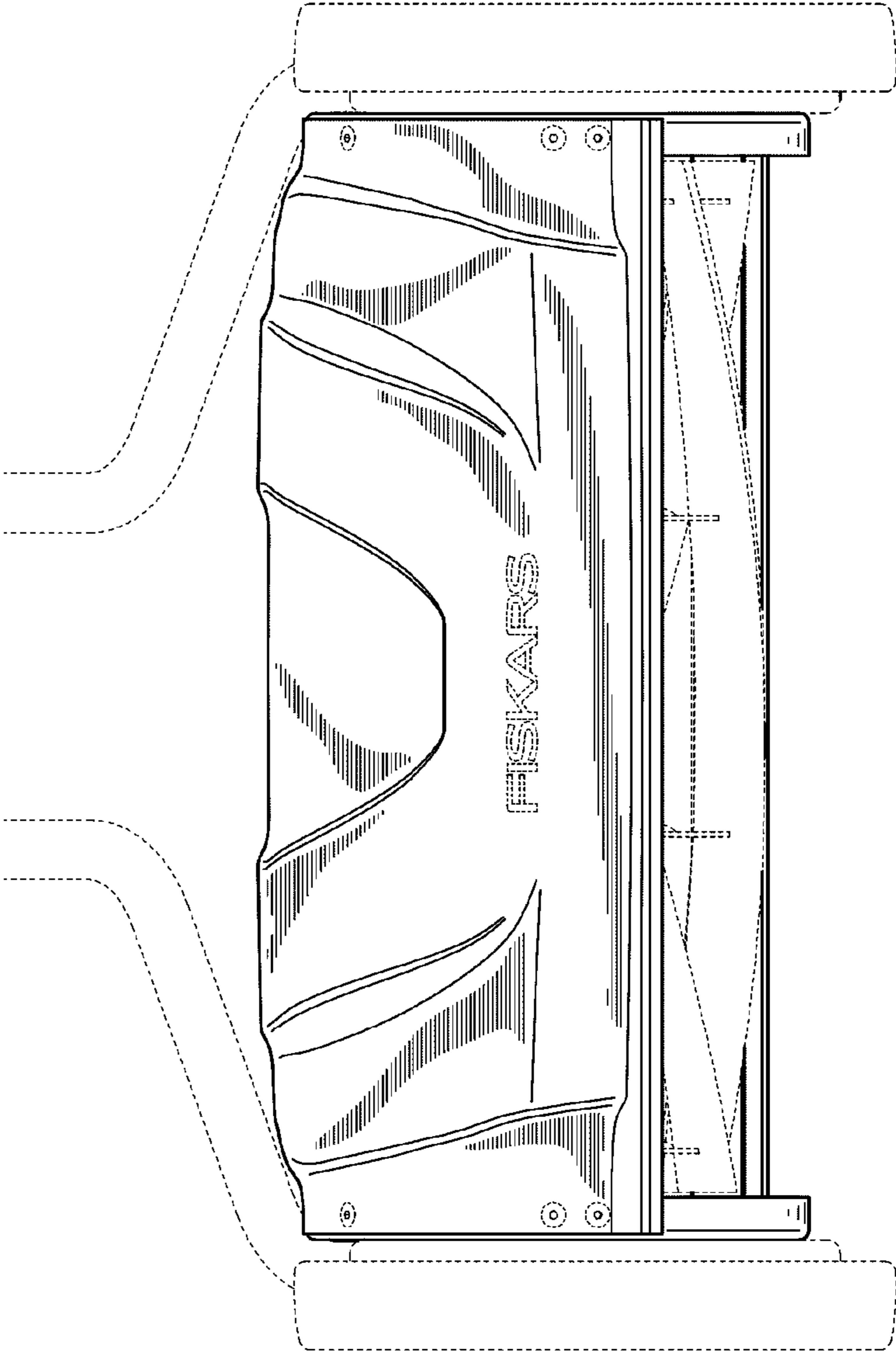


FIGURE 2

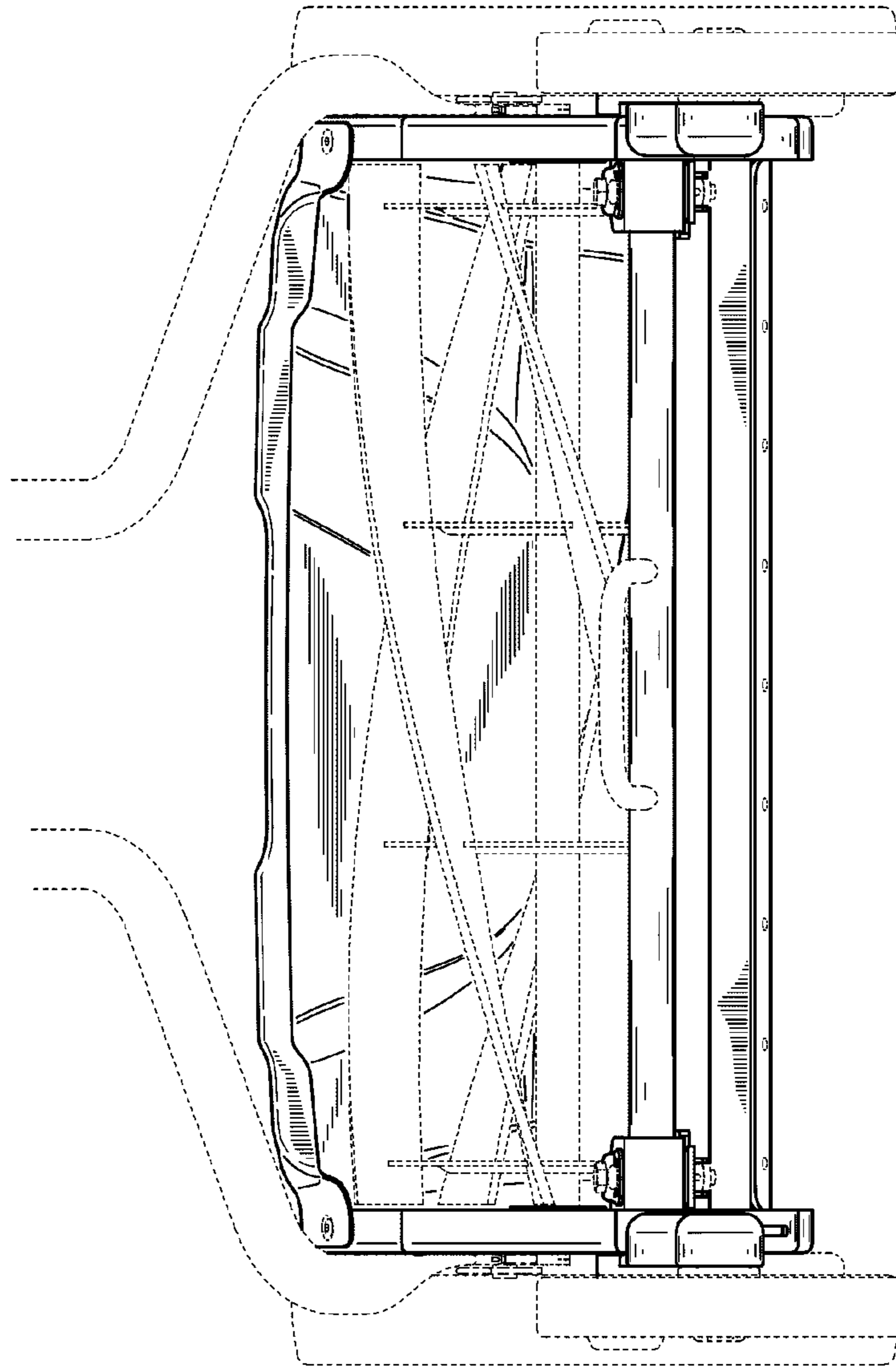


FIGURE 3

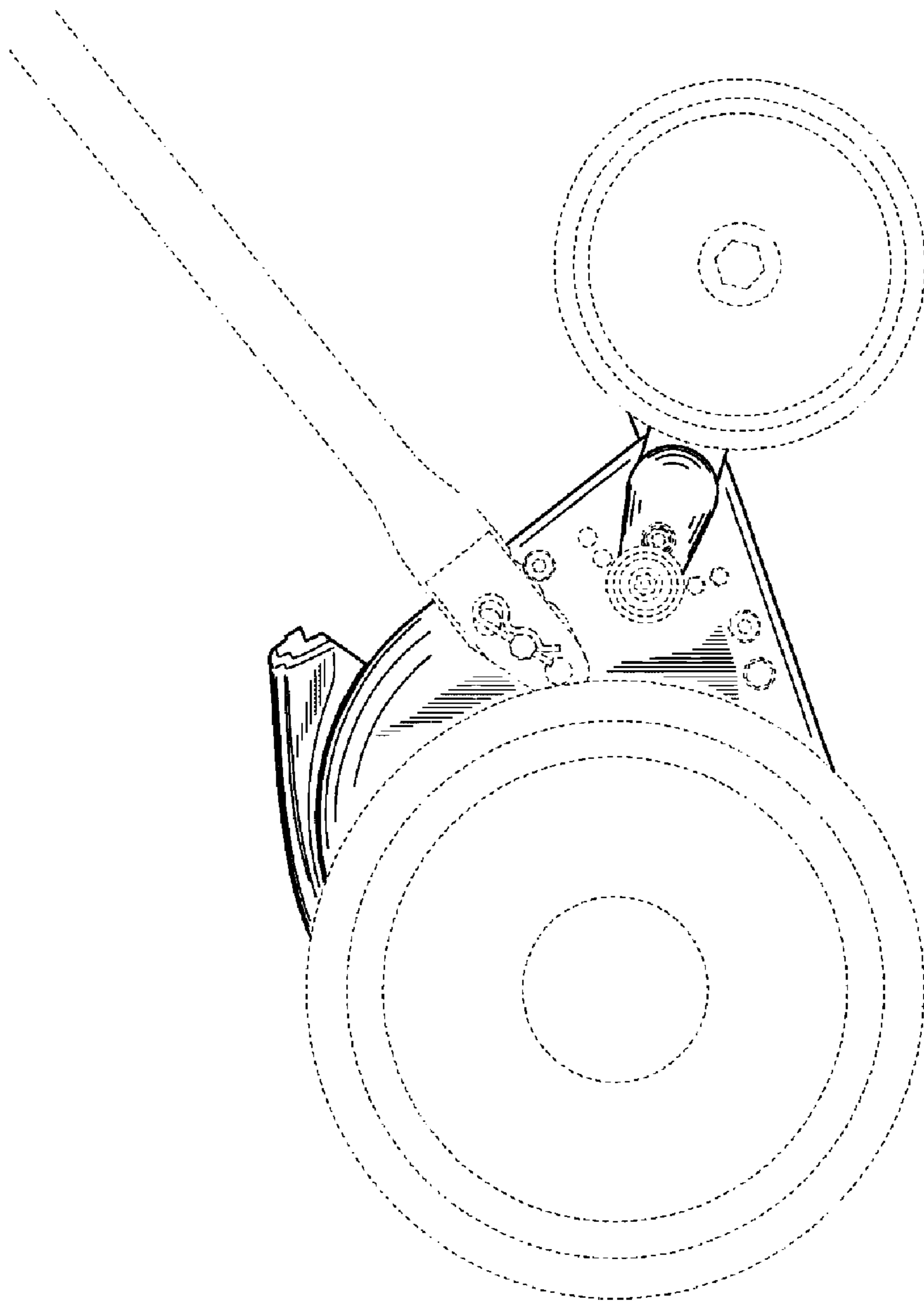


FIGURE 4

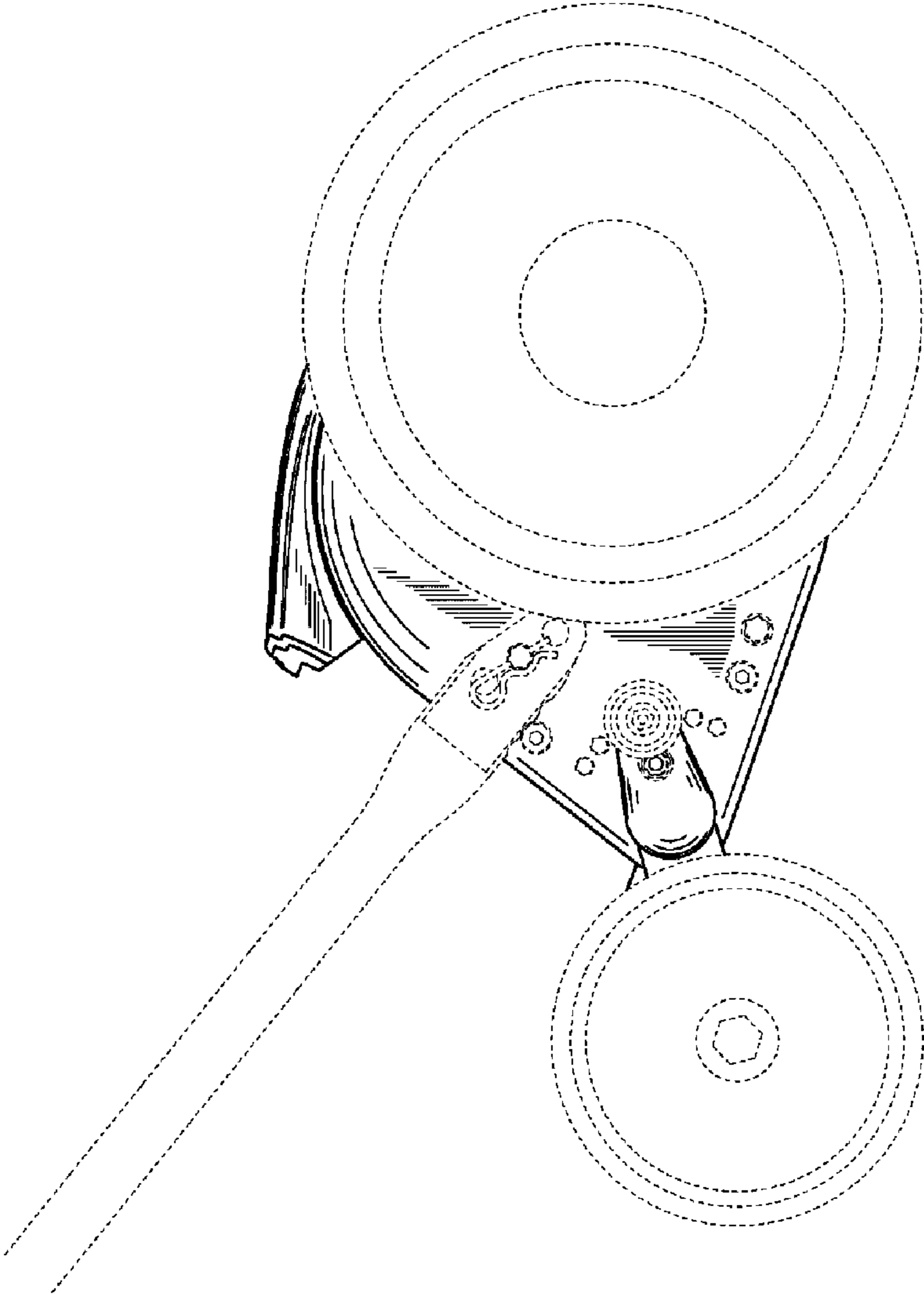


FIGURE 5

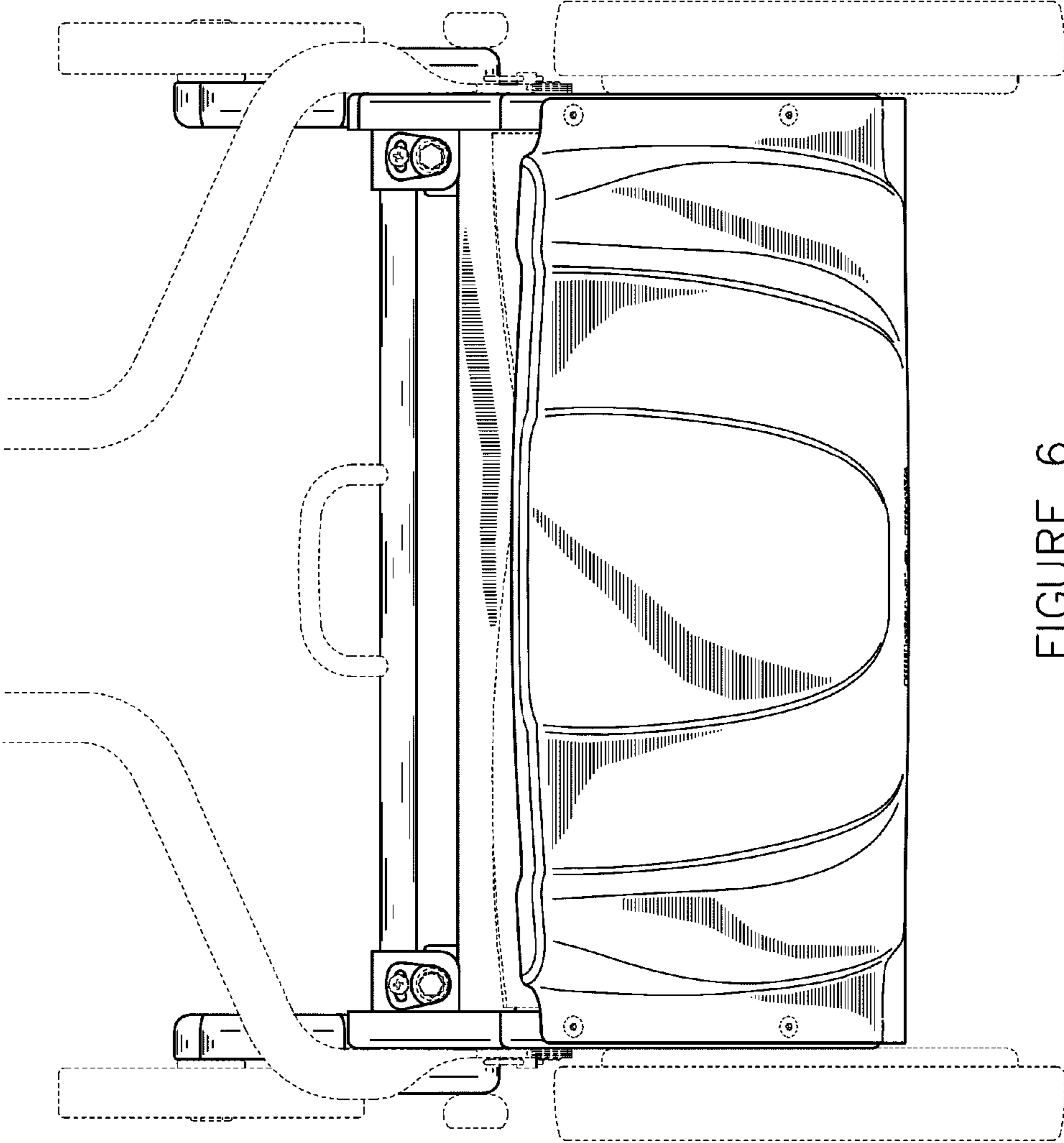


FIGURE 6

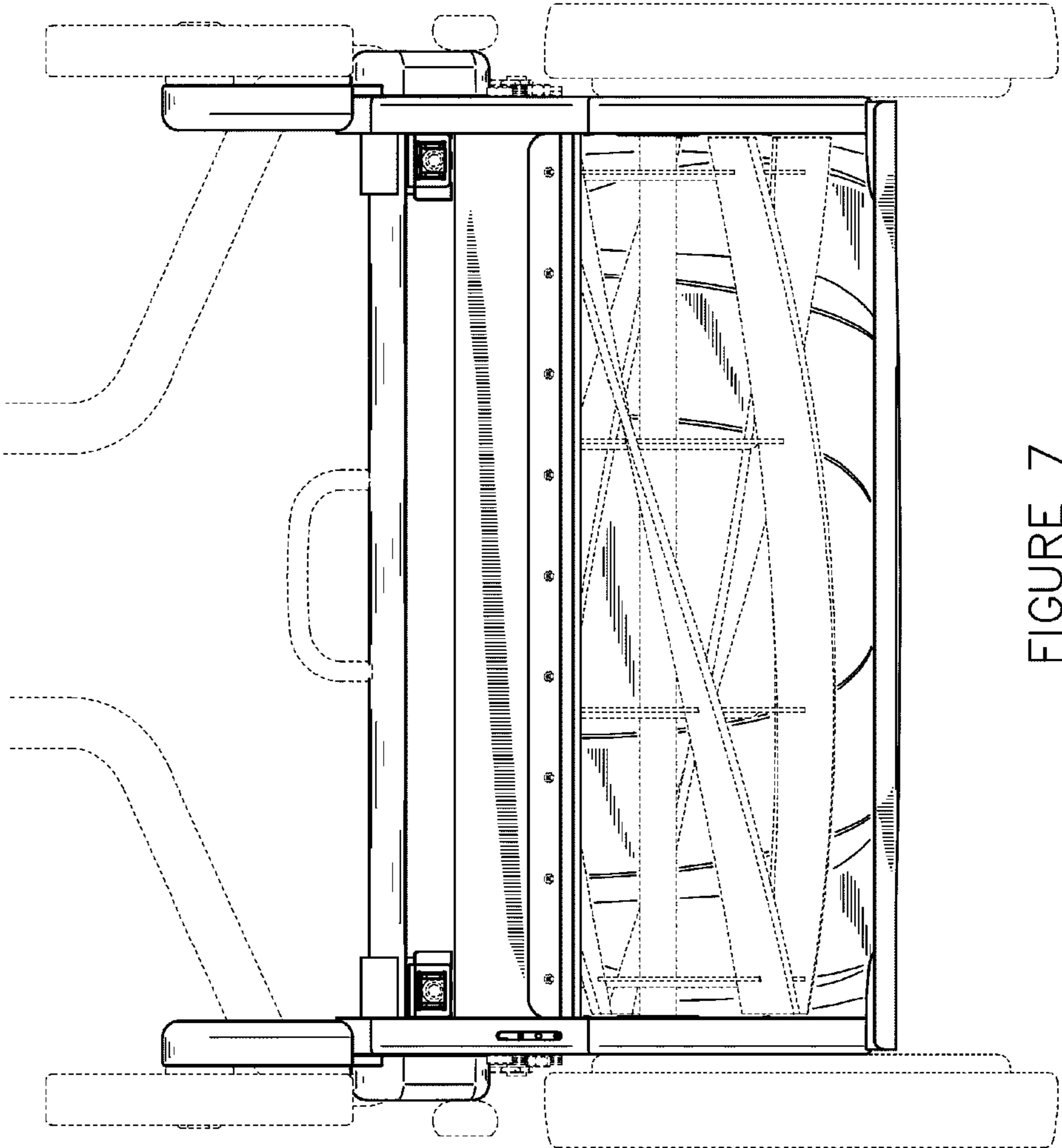


FIGURE 7