

US00D651216S

(12) **United States Design Patent**  
**Pail**

(10) **Patent No.:** **US D651,216 S**

(45) **Date of Patent:** **\*\* Dec. 27, 2011**

(54) **WATERPROOF PORTABLE AUDIO DEVICE**

(75) Inventor: **Opher Pail**, New York, NY (US)

(73) Assignee: **Fitness Technologies, Inc**, Hackensack, NJ (US)

(\*\*) Term: **14 Years**

(21) Appl. No.: **29/373,371**

(22) Filed: **Mar. 31, 2011**

(51) **LOC (9) Cl.** ..... **14-03**

(52) **U.S. Cl.** ..... **D14/496; D14/203.3**

(58) **Field of Classification Search** ..... D14/496,  
D14/401, 435, 474, 483, 217, 137, 138, 160,  
D14/168, 356, 203.1-203.8, 507; 345/156,  
345/169, 173-179, 905; 715/727-729, 864;  
710/1, 5, 8; 713/1, 600; 455/1.1, 1.7, 73,  
455/344-347, 93, 95, 3.01-3.06, 550.1, 573.1;  
370/342-344; 369/1, 2, 6-12; 463/43-47;  
273/148 B

See application file for complete search history.

(56) **References Cited**

U.S. PATENT DOCUMENTS

5,363,089 A \* 11/1994 Goldenberg ..... 340/7.63  
5,825,408 A \* 10/1998 Yuyama et al. .... 348/14.01

6,082,691 A \* 7/2000 Moriyasu ..... 248/274.1  
6,697,117 B1 \* 2/2004 Park ..... 348/373  
D551,254 S \* 9/2007 Shin ..... D14/496  
D559,268 S \* 1/2008 Yu et al. .... D14/496  
D594,030 S \* 6/2009 Rayn ..... D14/496  
7,626,630 B2 \* 12/2009 Nishino et al. .... 348/333.06  
D614,602 S \* 4/2010 Yoo ..... D14/203.7  
D637,995 S \* 5/2011 Rayn ..... D14/203.7  
D638,031 S \* 5/2011 Lee et al. .... D14/496  
D638,443 S \* 5/2011 Akana et al. .... D14/496

\* cited by examiner

*Primary Examiner* — Prabhakar Deshmukh

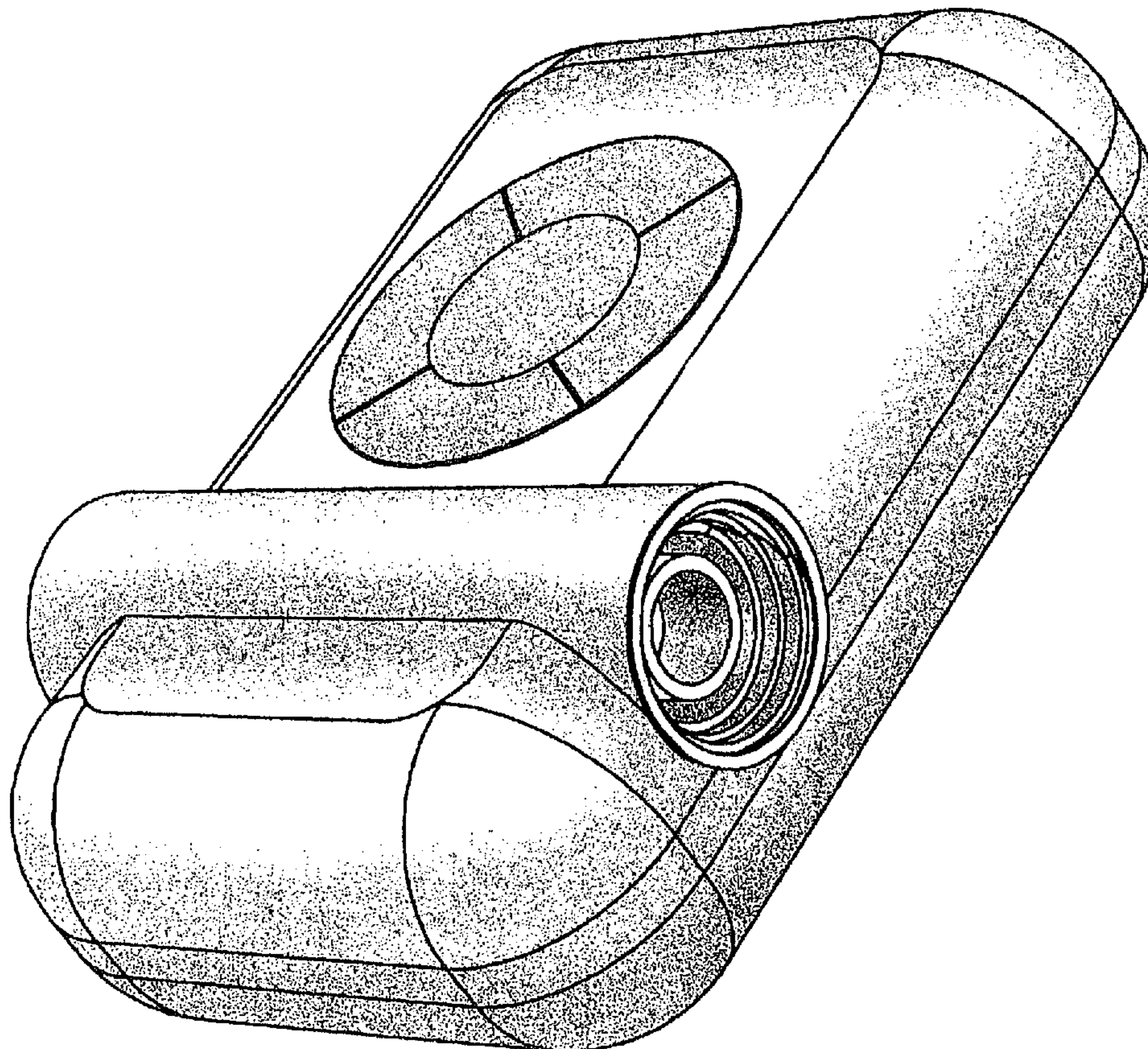
(57) **CLAIM**

The ornamental design for a waterproof portable audio device, as shown and described.

**DESCRIPTION**

FIG. 1 is a perspective view of waterproof portable audio device showing my new design;  
FIG. 2 is a front view thereof;  
FIG. 3 is a left hand side view thereof;  
FIG. 4 is a rear view thereof;  
FIG. 5 is a right hand side view thereof;  
FIG. 6 is a bottom view thereof;  
FIG. 7 is a top view thereof; and,  
FIG. 8 is a front right perspective view thereof.

**1 Claim, 6 Drawing Sheets**





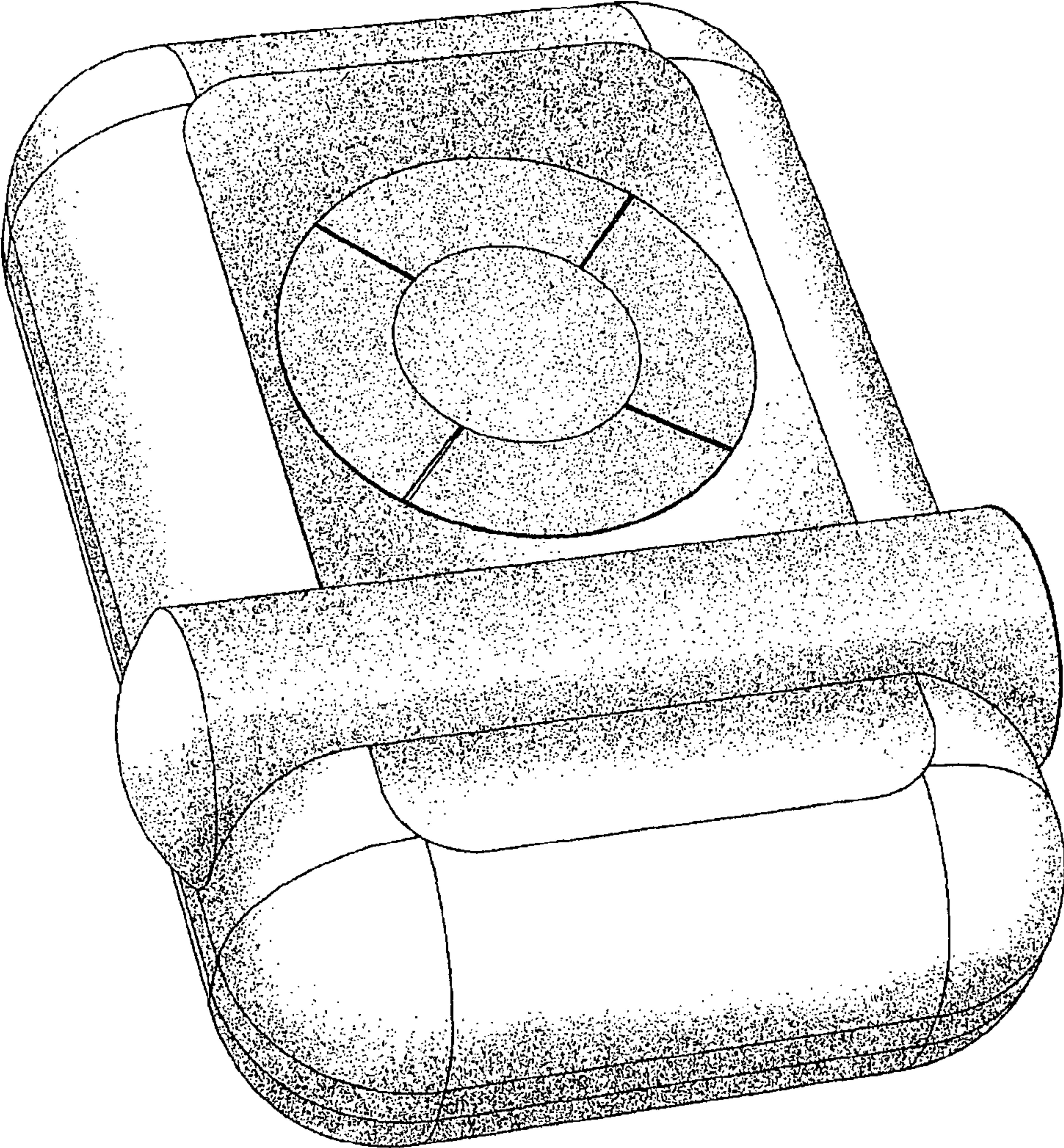


FIG.1



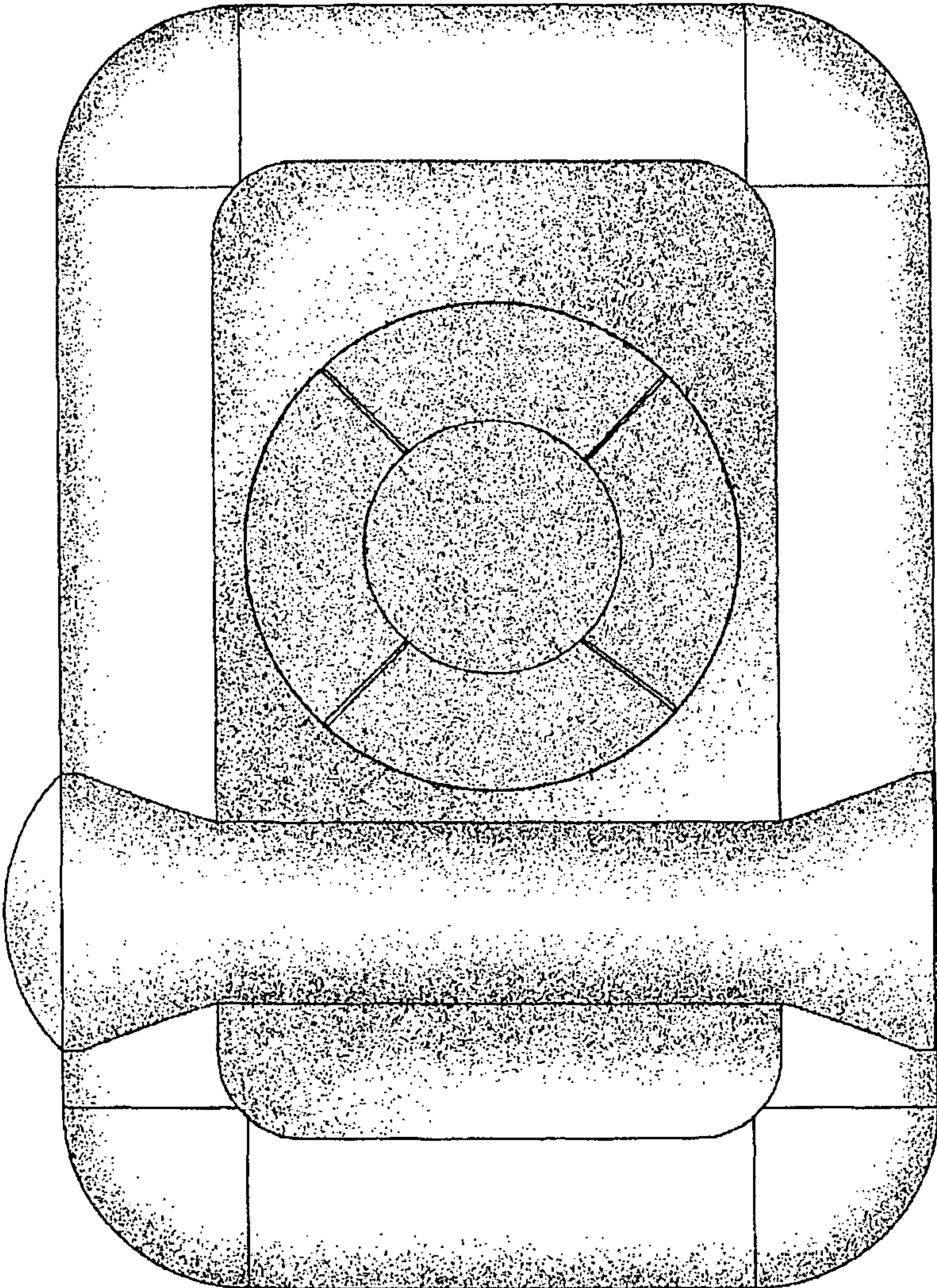


FIG.2

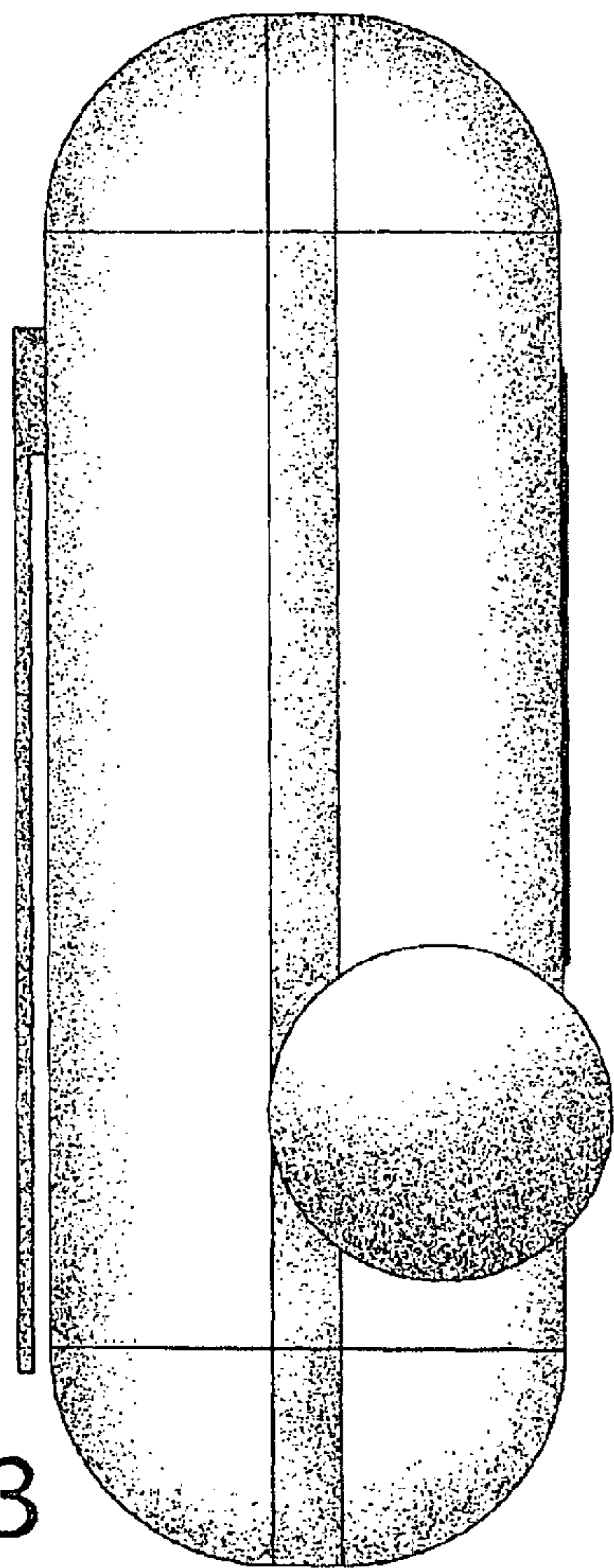


FIG.3

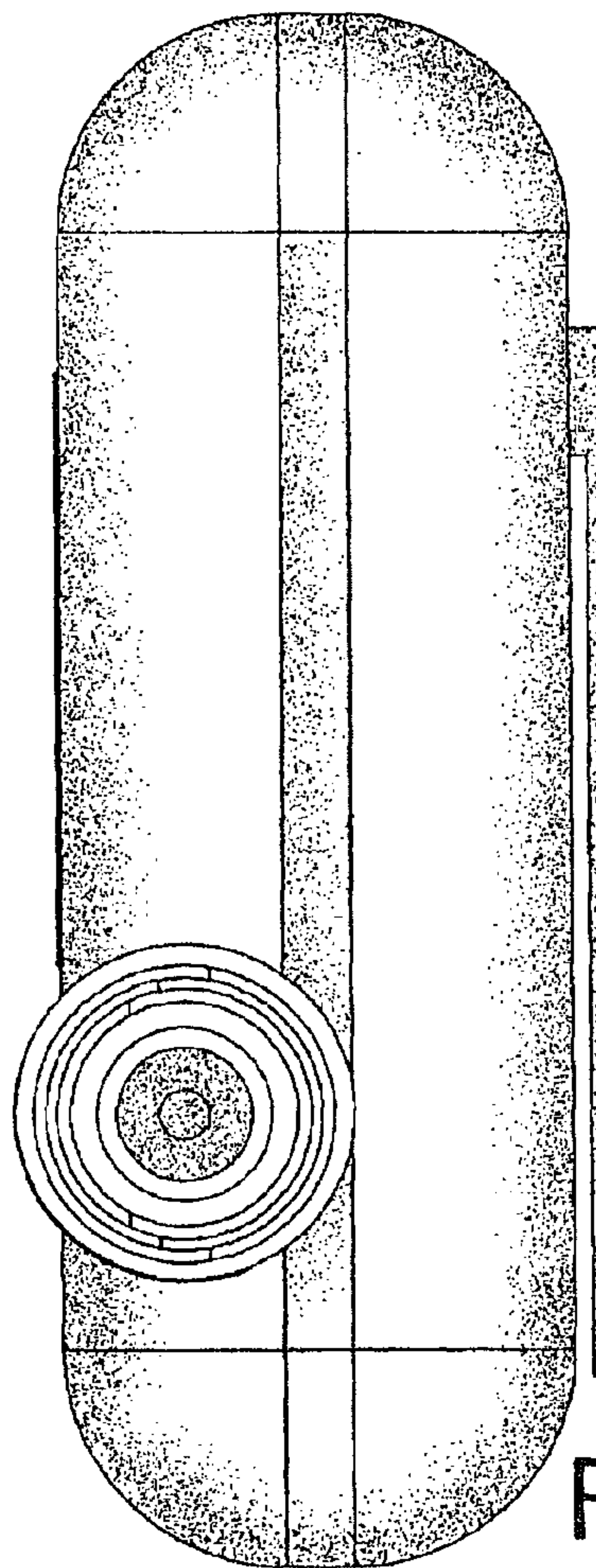


FIG.5



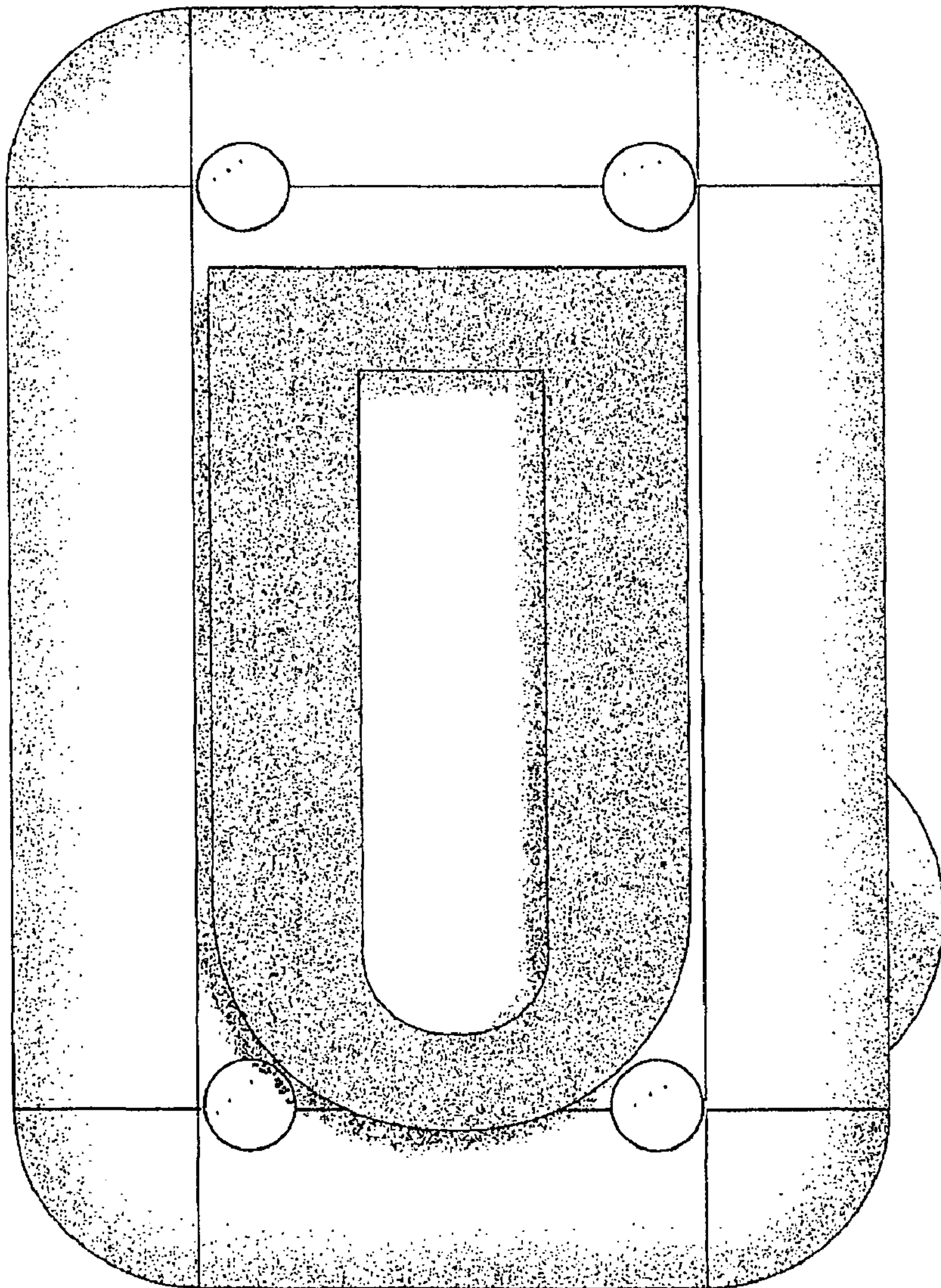


FIG.4

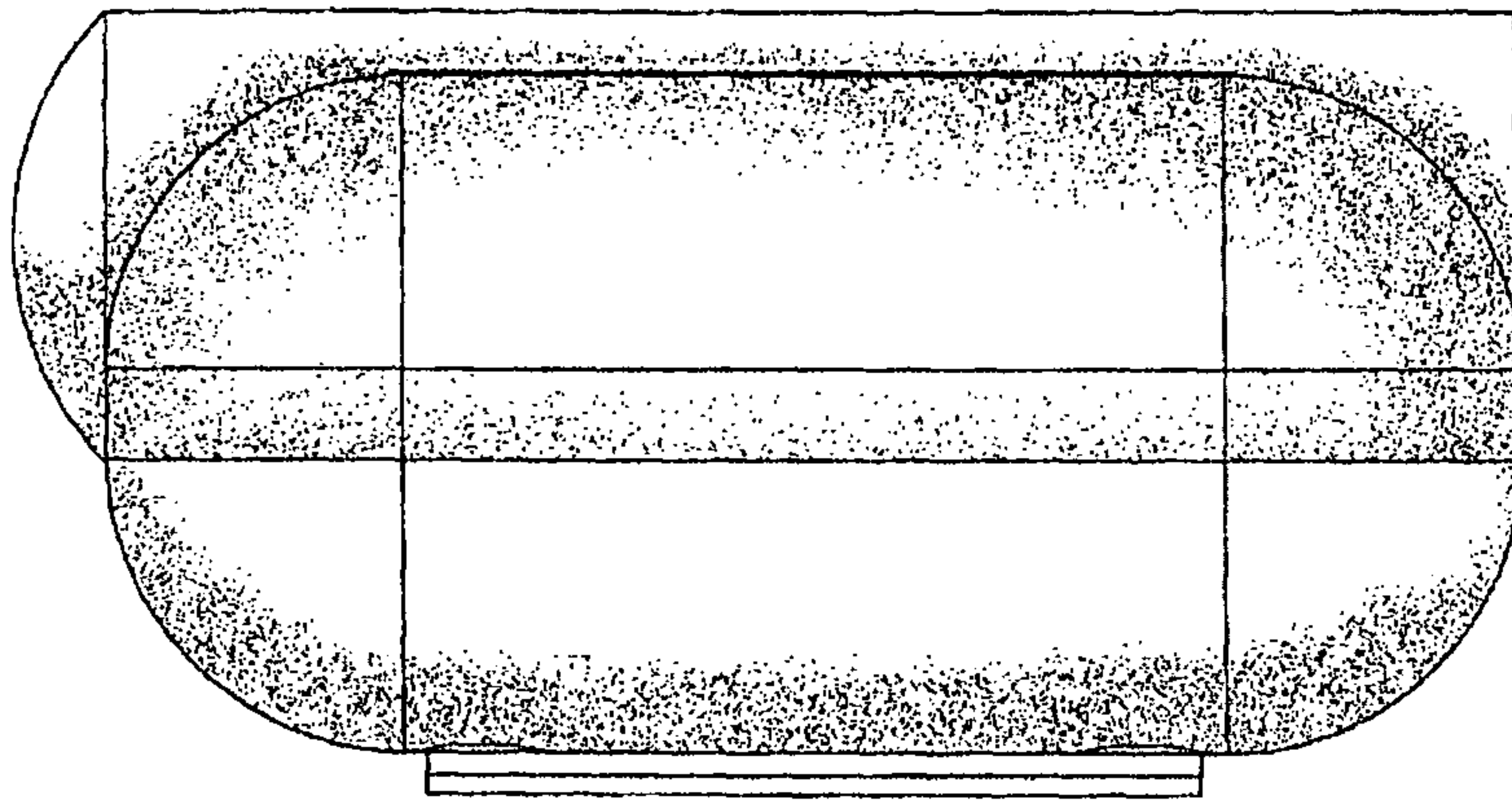


FIG. 6

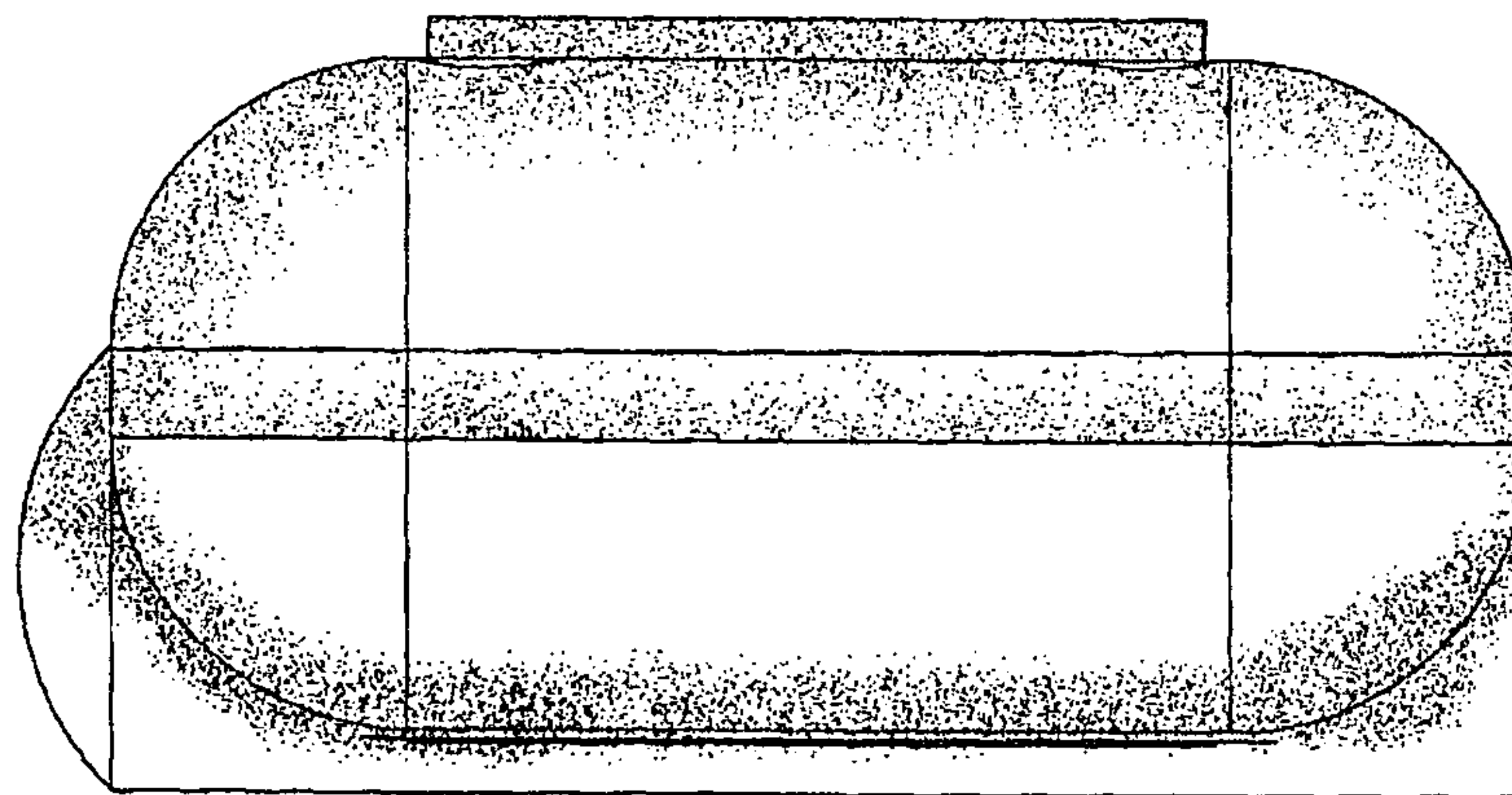


FIG. 7



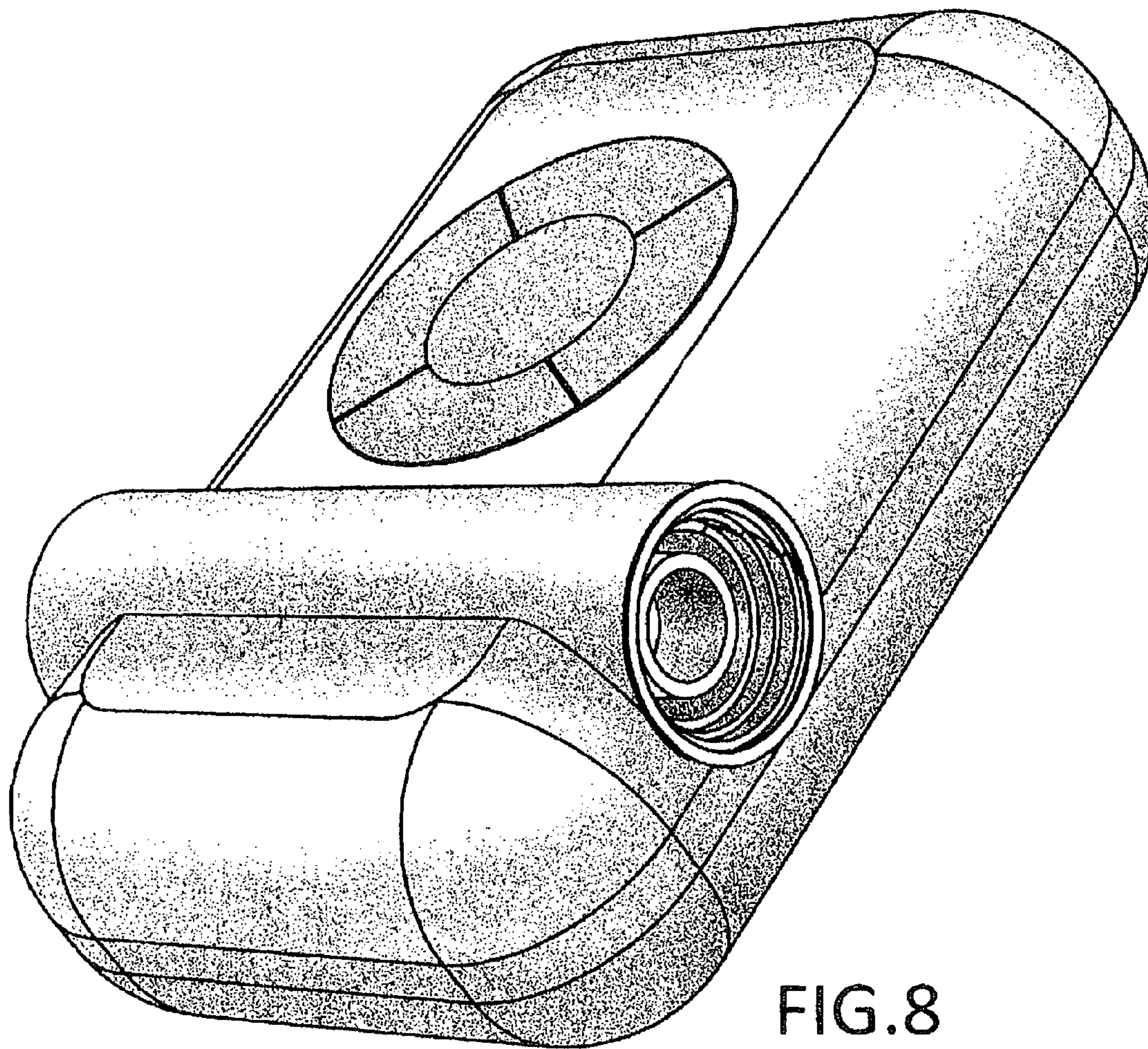


FIG. 8