



US00D651214S

(12) **United States Design Patent**
Yoo et al.

(10) **Patent No.:** **US D651,214 S**
(45) **Date of Patent:** **** Dec. 27, 2011**

(54) **COVER MEMBER**

(75) Inventors: **Hyun Yoo**, Grand Rapids, MI (US);
Lukas Scherrer, San Francisco, CA
(US); **Thomas Overthun**, San
Francisco, CA (US)

(73) Assignee: **Steelcase Inc.**, Grand Rapids, MI (US)

(**) Term: **14 Years**

(21) Appl. No.: **29/363,129**

(22) Filed: **Jun. 4, 2010**

(51) **LOC (9) Cl.** **14-02**

(52) **U.S. Cl.** **D14/448**

(58) **Field of Classification Search** D14/448,
D14/439, 440, 447, 449, 450, 451, 452, 432,
D14/434, 457, 336, 337, 339, 340, 371, 372,
D14/373, 374, 375, 376, 377, 378, 379, 380,
D14/381, 382, 126, 127, 128, 129, 203.8,
D14/217, 238.1, 239, 250; 345/905; 248/917,
248/918, 919, 920, 921, 922, 923, 924; 348/184,
348/739, 761, 791, 825, 834, 835; 349/58,
349/60; D6/406.1, 406.3, 406.4, 406.5, 406.6;
D8/363, 380; 361/679.06, 679.02, 679.09,
361/679.21, 679.3, 679.55, 679.56, 679.26,
361/679.27; D3/218, 269; D9/702, 703,
D9/711; 383/100, 103, 106, 107, 119, 120,
383/902; 206/320; 379/454, 455

See application file for complete search history.

(56) **References Cited**

U.S. PATENT DOCUMENTS

D525,794 S * 8/2006 Ball et al. D6/332
D542,296 S * 5/2007 Bockheim et al. D14/451
D550,478 S * 9/2007 Glass et al. D6/436
D568,320 S * 5/2008 Katagiri et al. D14/451

D575,774 S * 8/2008 Harris et al. D14/239
D586,792 S * 2/2009 Lozano D14/239
D589,036 S * 3/2009 Unsworth D14/239
D609,901 S * 2/2010 Behar et al. D3/218
D612,818 S * 3/2010 Lents, Jr. D14/125
D620,942 S * 8/2010 Huang D14/447
D622,275 S * 8/2010 Lozano D14/451
D623,638 S * 9/2010 Richardson et al. D14/250
2003/0173242 A1 * 9/2003 Fisher et al. 206/320

OTHER PUBLICATIONS

Jorgen Moller Alu-Line Trays, Feb. 7, 2009, http://replay.web.archive.org/20090207175827/http://www.bonluxat.com/a/Jorgen_Moller_Al-Line_Trays.html.*

* cited by examiner

Primary Examiner — Angela J Lee

(74) *Attorney, Agent, or Firm* — Price Heneveld LLP

(57) **CLAIM**

We claim the ornamental design for a cover member, as shown and described.

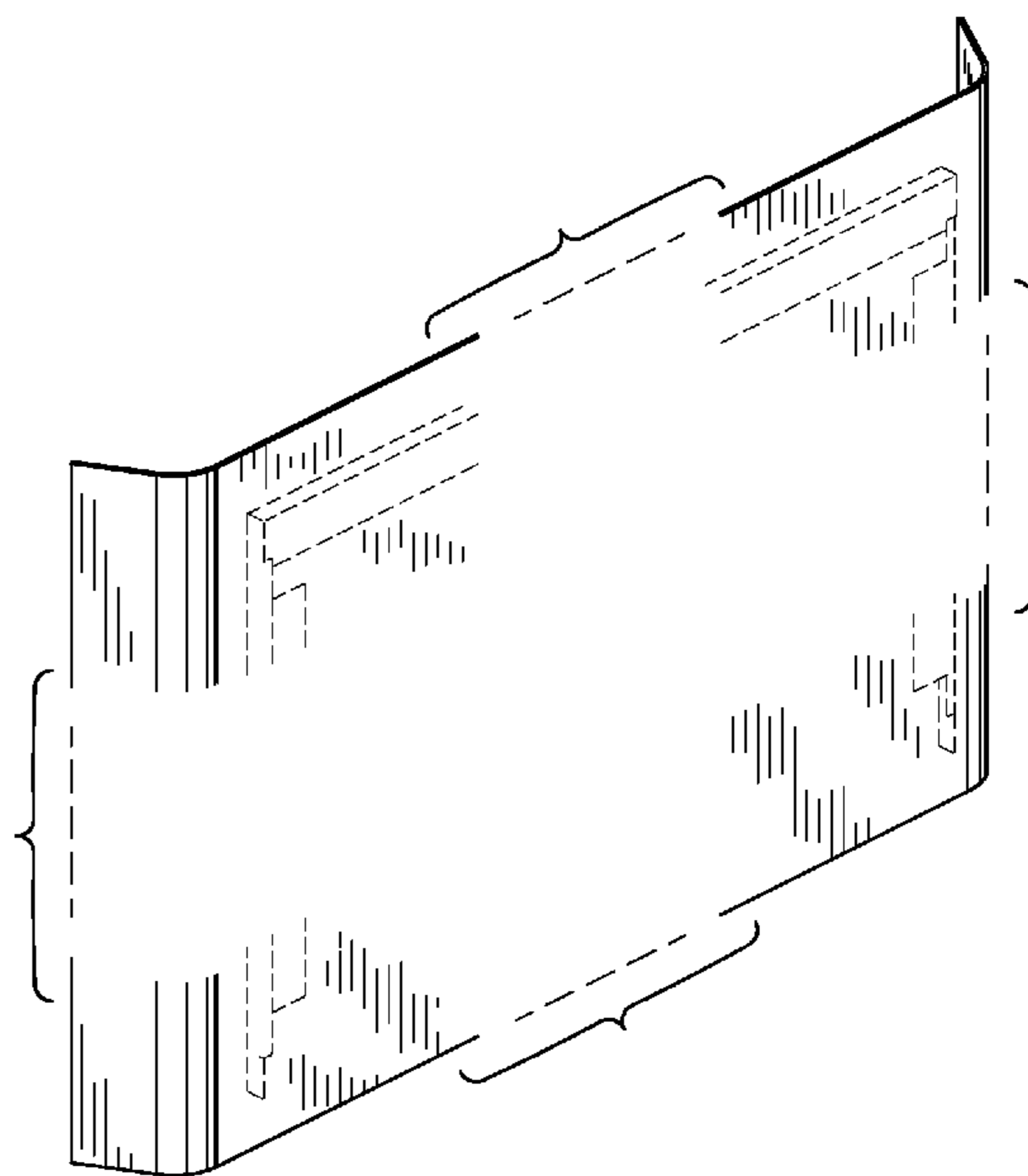
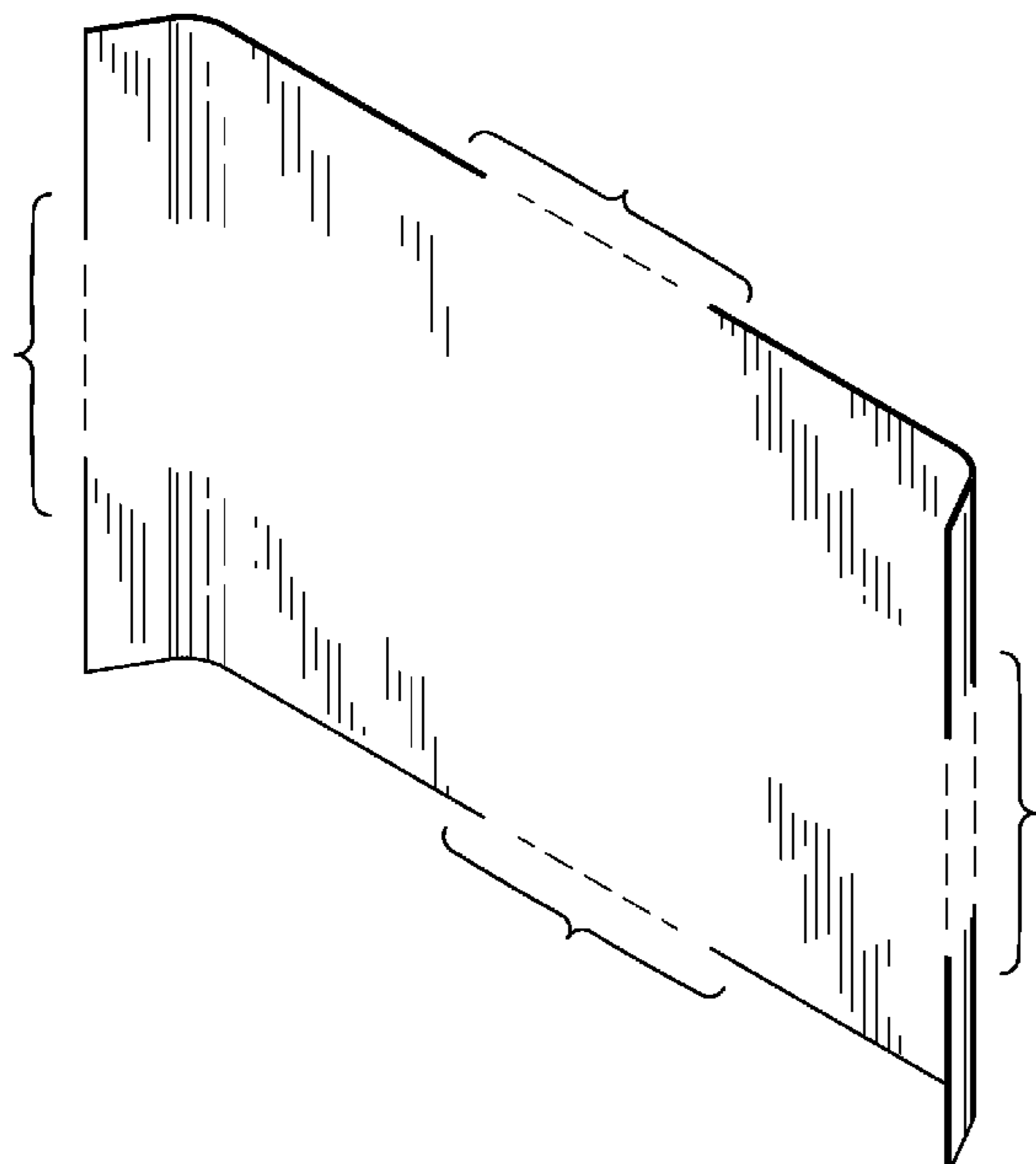
DESCRIPTION

FIG. 1 is a front perspective view of a cover member;
FIG. 2 is a rear perspective view of the cover member;
FIG. 3 is a rear elevational view of the cover member;
FIG. 4 is a front elevational view of the cover member;
FIG. 5 is a first side elevational view of the cover member, the
opposite side elevational view being a mirror image thereof;
FIG. 6 is a top plan view of the cover member; and,
FIG. 7 is a bottom plan view of the cover member.

The dashed lines and broken lines are for purposes of illustrating environmental structure and form no part of the claimed design.

The cover member is broken away to indicate that no particular length is claimed.

1 Claim, 3 Drawing Sheets



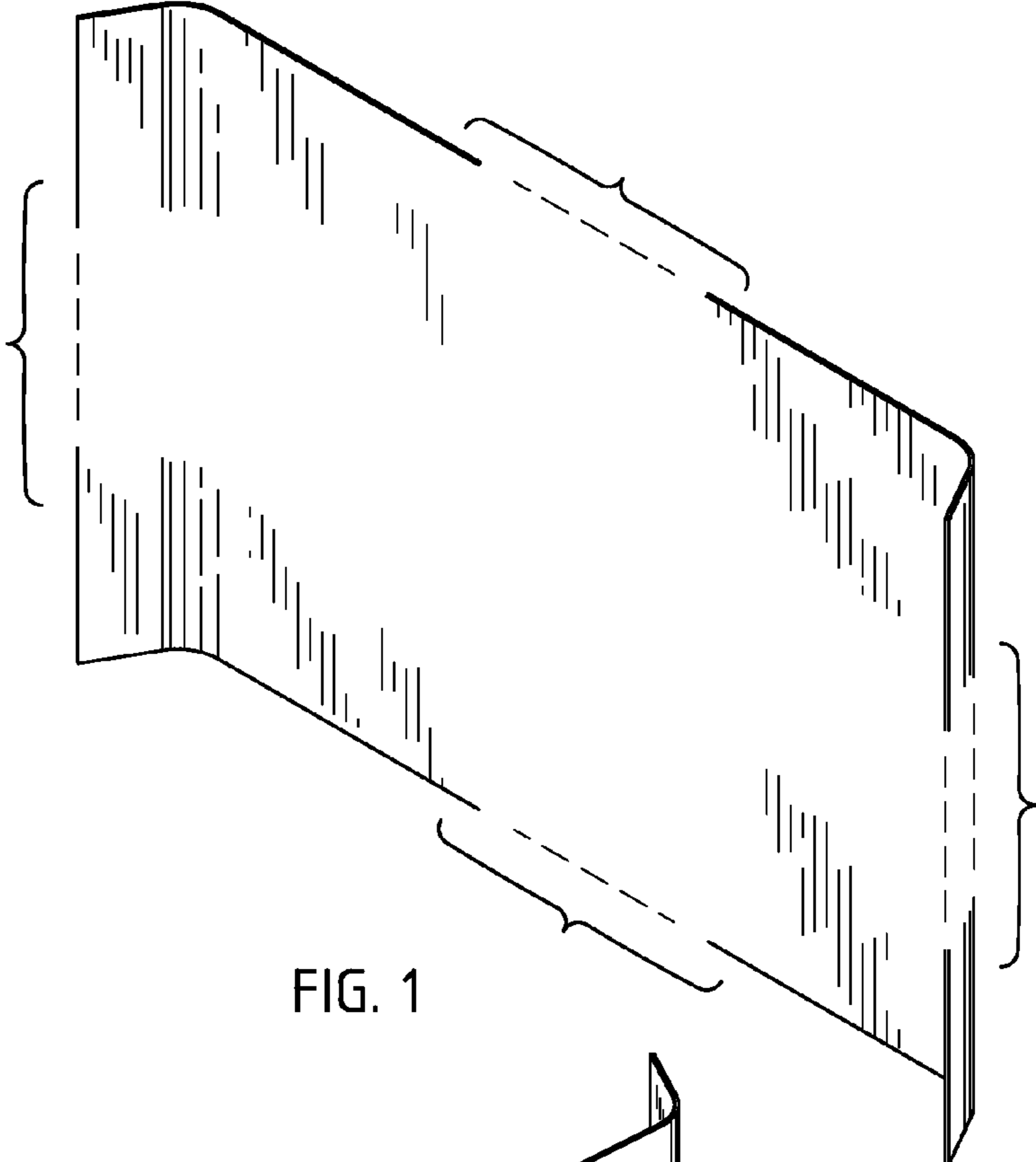


FIG. 1

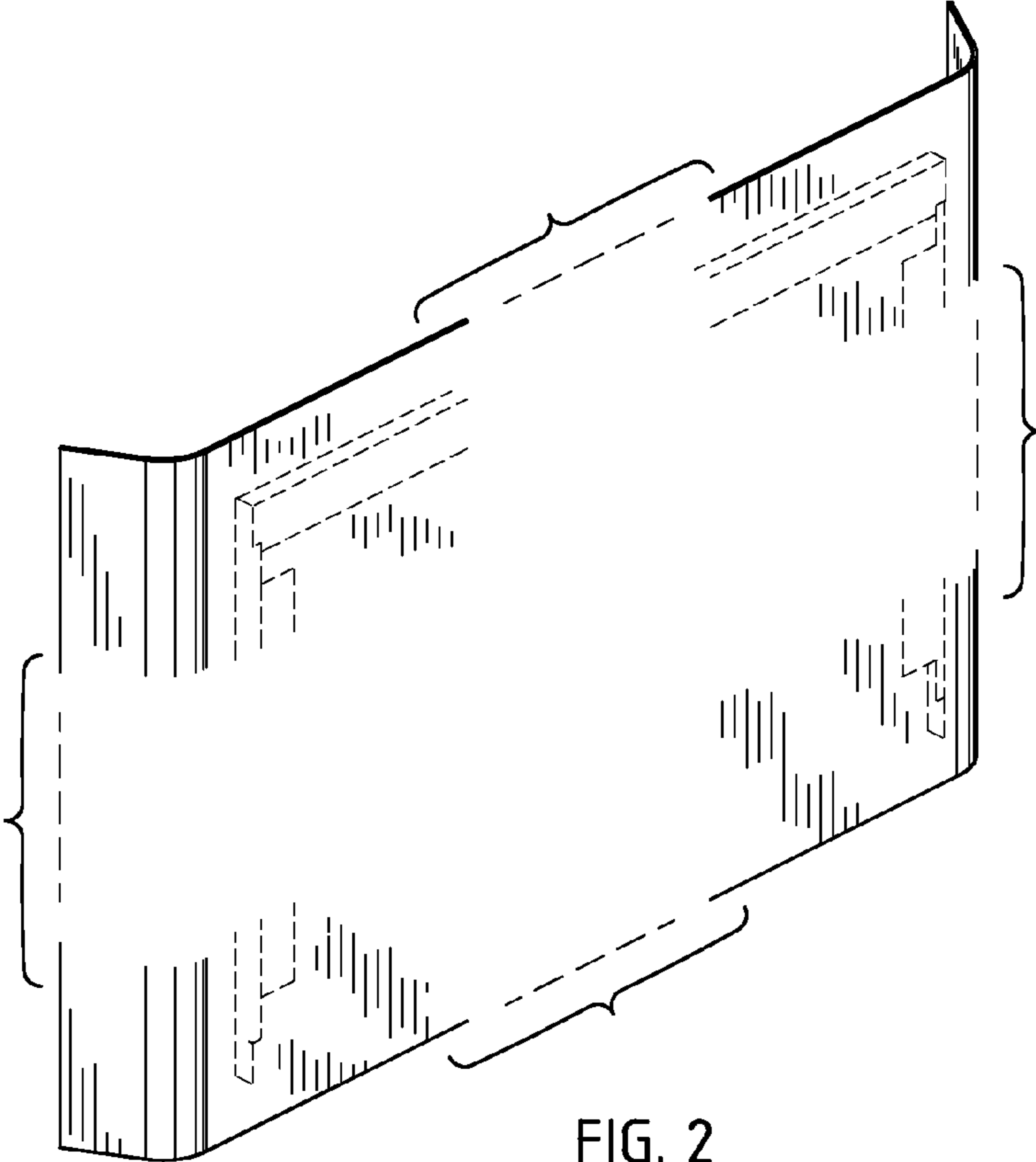


FIG. 2

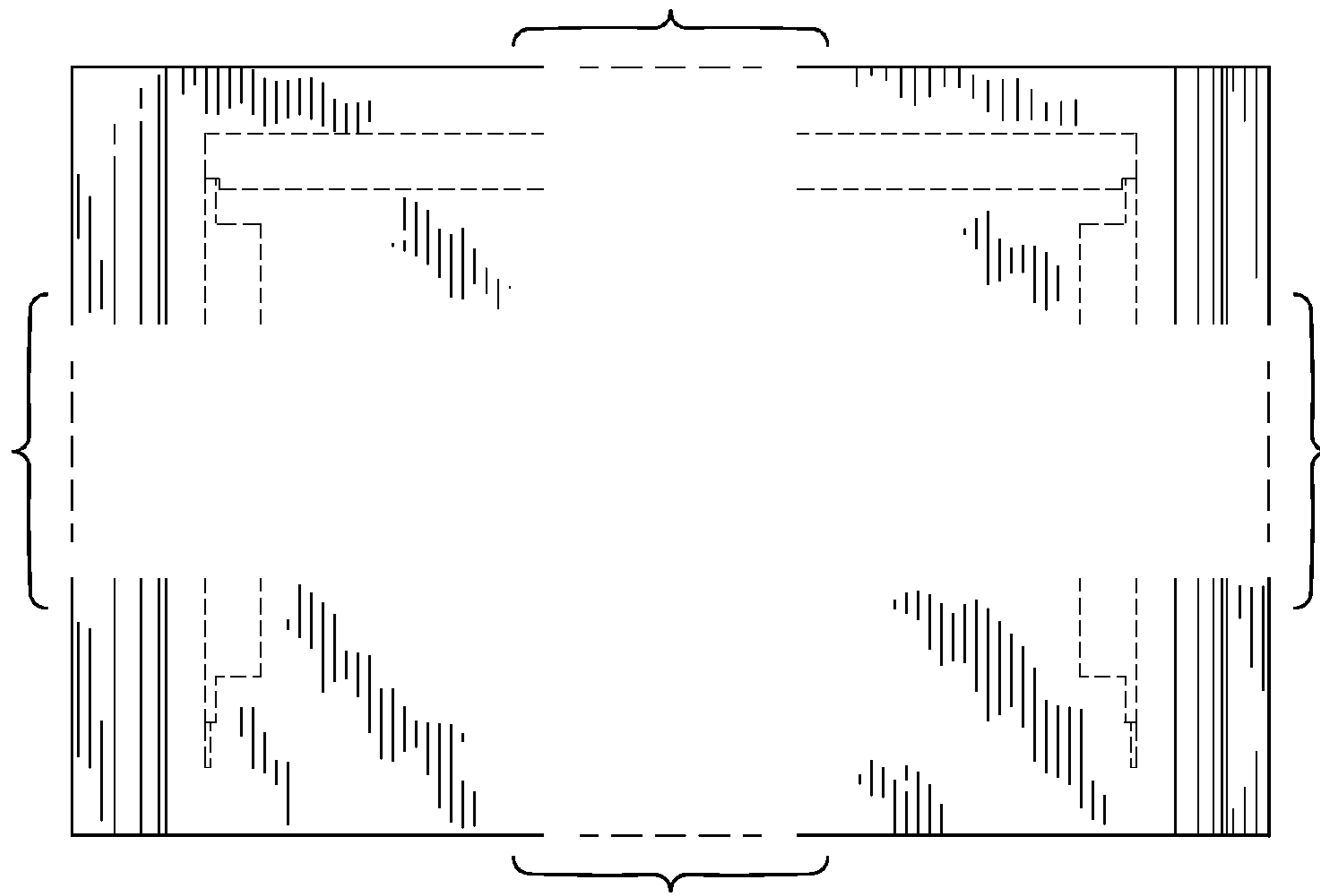


FIG. 3

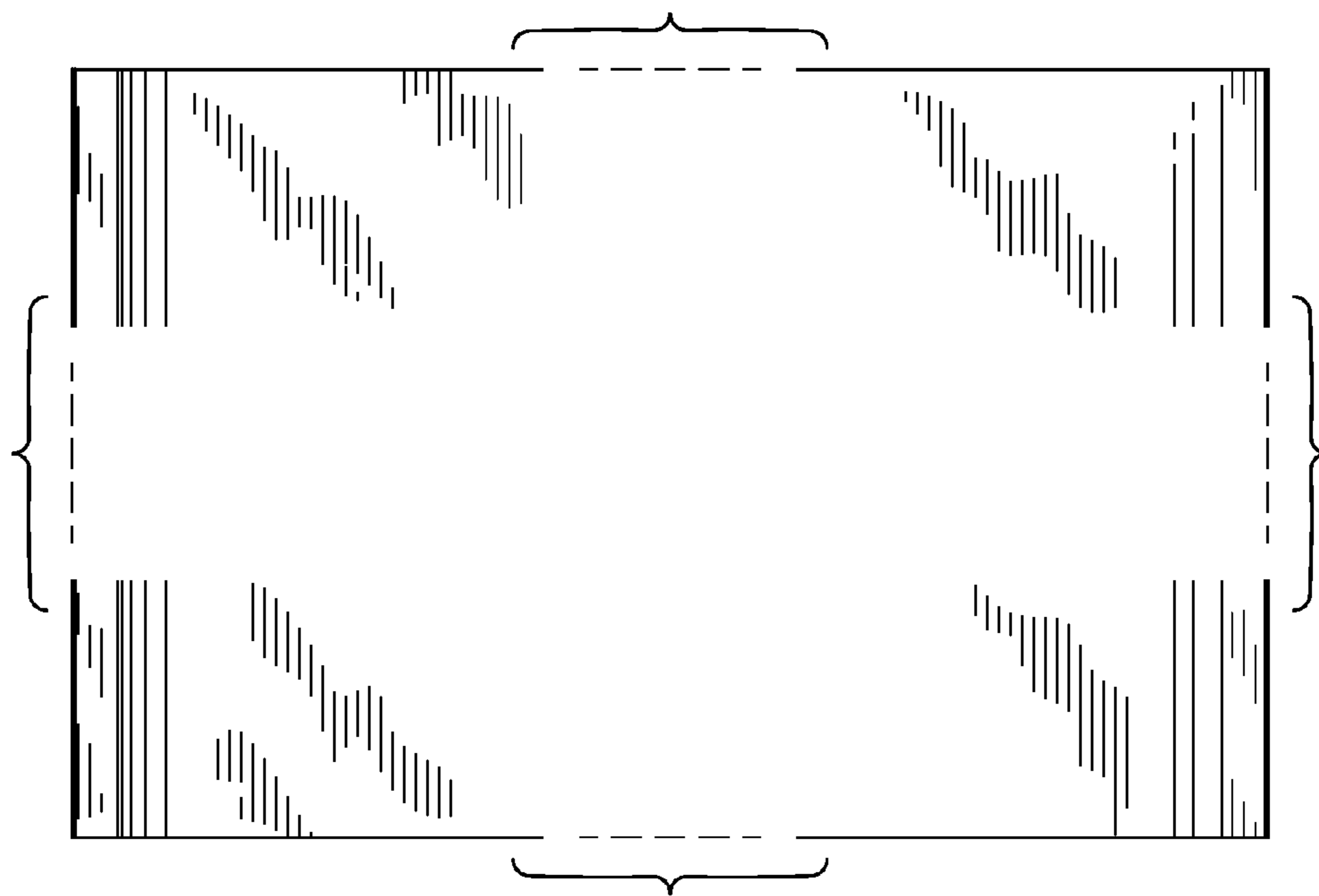


FIG. 4

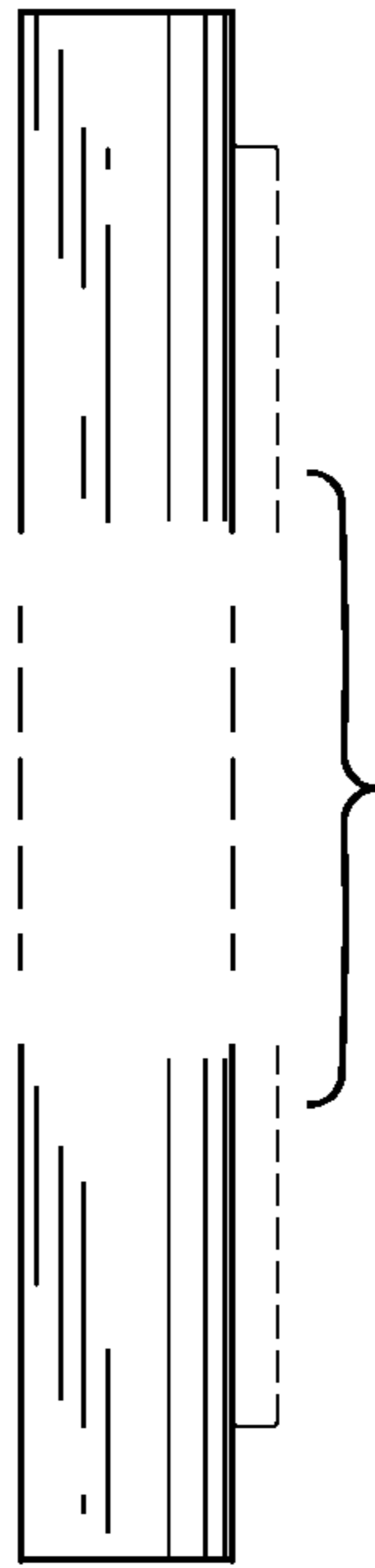


FIG. 5

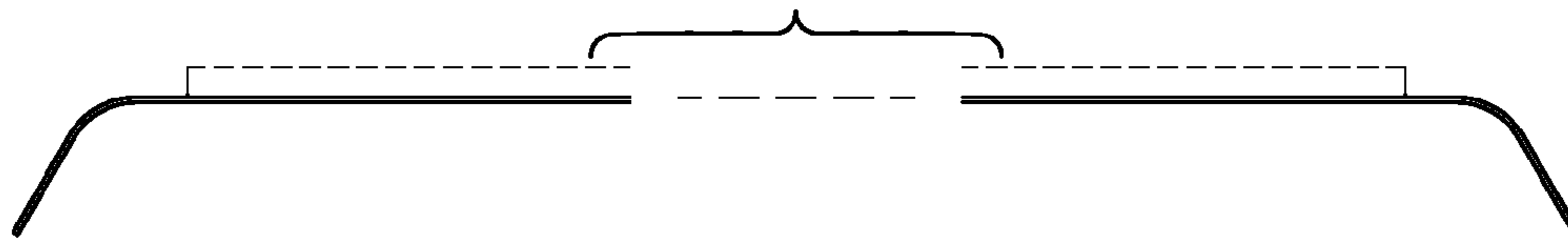


FIG. 6

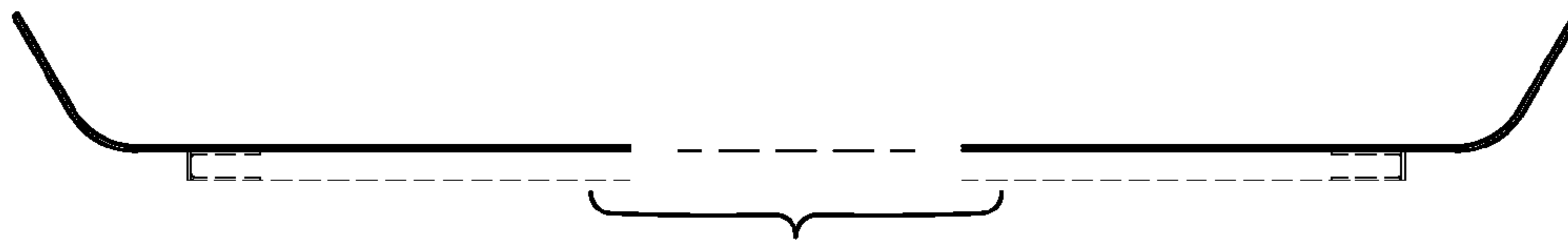


FIG. 7