



US00D651212S

(12) **United States Design Patent**
Bakhreiba et al.

(10) **Patent No.:** **US D651,212 S**
(45) **Date of Patent:** **** Dec. 27, 2011**

(54) **TOUCH SCREEN PANEL FOR AN UNINTERRUPTIBLE POWER SYSTEM (UPS)**

(75) Inventors: **Ali Bakhreiba**, Houston, TX (US);
Daniel Catina, Cypress, TX (US)

(73) Assignee: **Toshiba International Corporation**,
Houston, TX (US)

(**) Term: **14 Years**

(21) Appl. No.: **29/284,523**

(22) Filed: **Sep. 10, 2007**

(51) **LOC (9) Cl.** **14-02**

(52) **U.S. Cl.** **D14/443; D13/164; D14/487**

(58) **Field of Classification Search** D14/300–306,
D14/336, 356, 358, 371, 374, 388, 389, 454,
D14/125, 126, 217, 218, 257, 485–488; D13/162,
D13/162.1, 163, 164; 307/64–67; 248/27.1
See application file for complete search history.

(56) **References Cited**

U.S. PATENT DOCUMENTS

D303,111 S *	8/1989	Paley	D14/374
D321,172 S *	10/1991	Moore et al.	D14/389
D360,201 S *	7/1995	Nelson et al.	D14/443
D385,871 S *	11/1997	Fisher et al.	D14/443
D399,197 S *	10/1998	Clark et al.	D14/443
D408,383 S *	4/1999	Carter et al.	D14/374
D435,523 S *	12/2000	Ciornei et al.	D13/164
D448,376 S *	9/2001	Lee	D14/374
D481,390 S *	10/2003	Wang et al.	D14/374
D503,402 S *	3/2005	Su et al.	D14/388
D512,691 S *	12/2005	Hisatsune	D13/164

D521,959 S *	5/2006	Backs	D14/126
D533,855 S *	12/2006	Rashid	D14/126
D533,857 S *	12/2006	Bradley	D14/126
D545,782 S *	7/2007	Schiller et al.	D14/126
D553,347 S *	10/2007	Cooney	D13/164
D574,010 S *	7/2008	Borovsky et al.	D14/487
7,404,298 B2 *	7/2008	Kim et al.	62/126
D578,543 S *	10/2008	Ulm et al.	D14/487
D580,948 S *	11/2008	Tomizawa et al.	D14/487
D610,475 S *	2/2010	Beers et al.	D10/50
7,665,185 B2 *	2/2010	Vackar	16/330
2004/0164966 A1 *	8/2004	Lee	345/173

* cited by examiner

Primary Examiner — Cathron Brooks

Assistant Examiner — Deanna Fluegeman

(74) *Attorney, Agent, or Firm* — Westerman, Hattori,
Daniels & Adrian, LLP

(57) **CLAIM**

The ornamental design for a touch screen panel for an uninter-
ruptible power system (UPS), as shown and described.

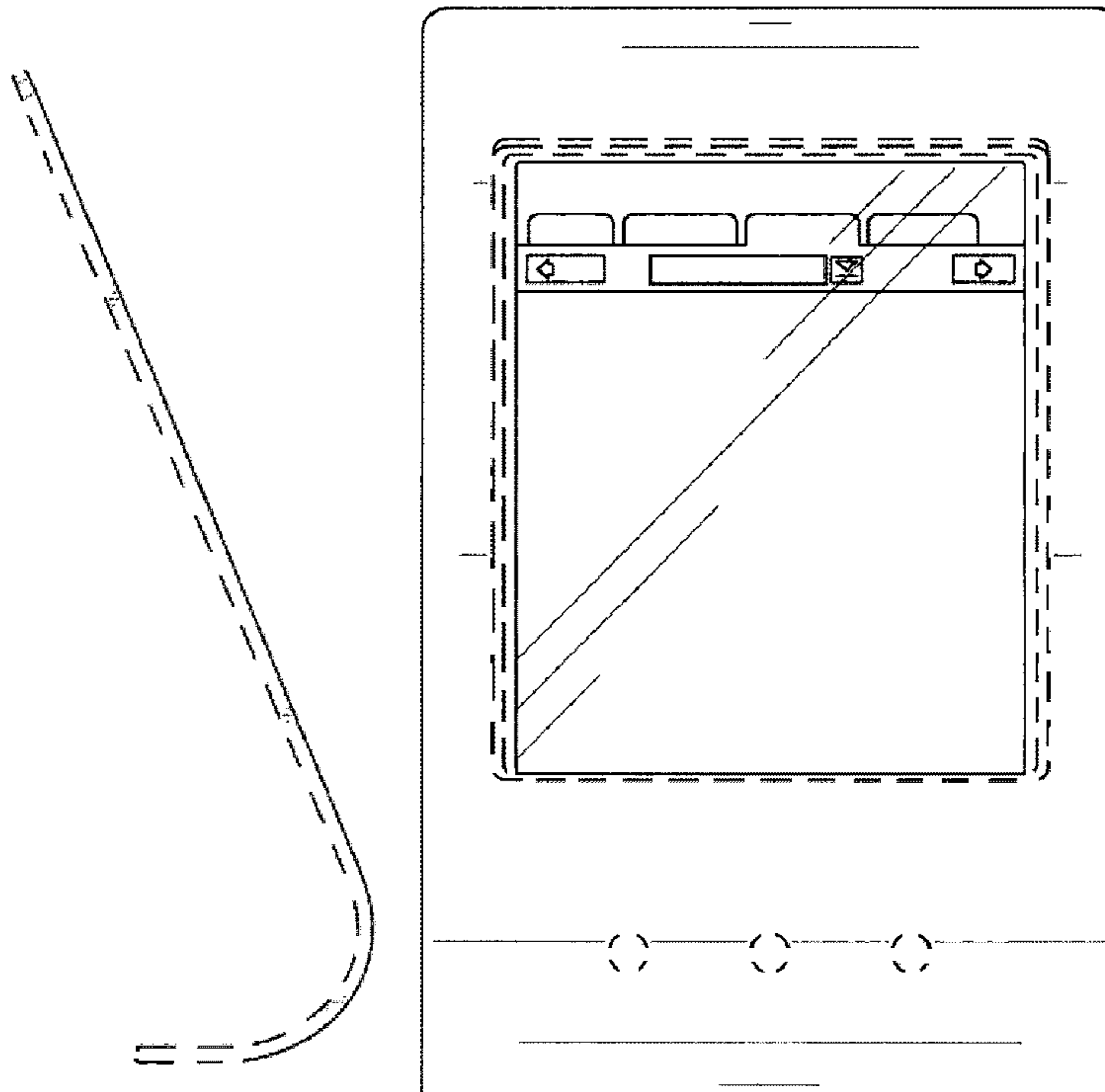
DESCRIPTION

FIG. 1 is a left side view of a touch screen interface panel for
an uninterruptible power system shown in FIG. 2.

A right side view is not depicted, but is a mirror image of the
left side view; and,

FIG. 2 is a front view of the touch screen interface panel for an
uninterruptible power system according to the present design.
The broken lines in the drawings illustrate unclaimed portions
of the touch screen interface panel for an uninterruptible
power system and form no part of the claimed design.

1 Claim, 2 Drawing Sheets



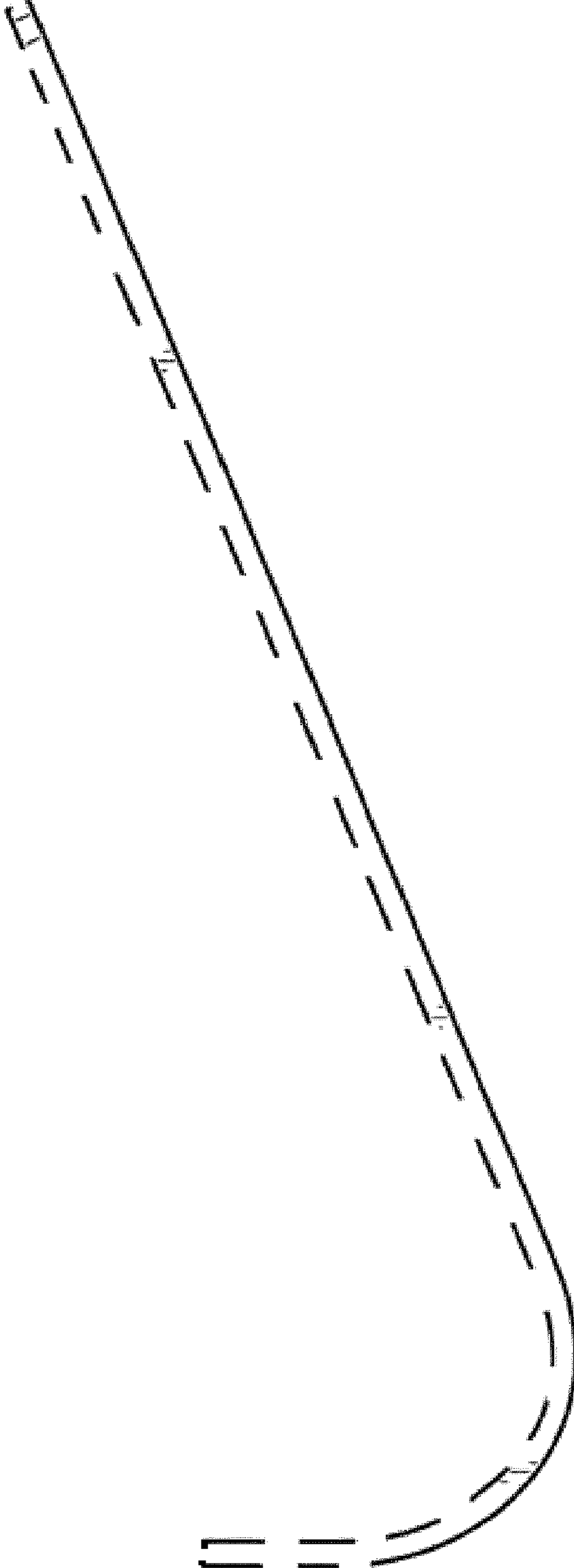


FIG. 1

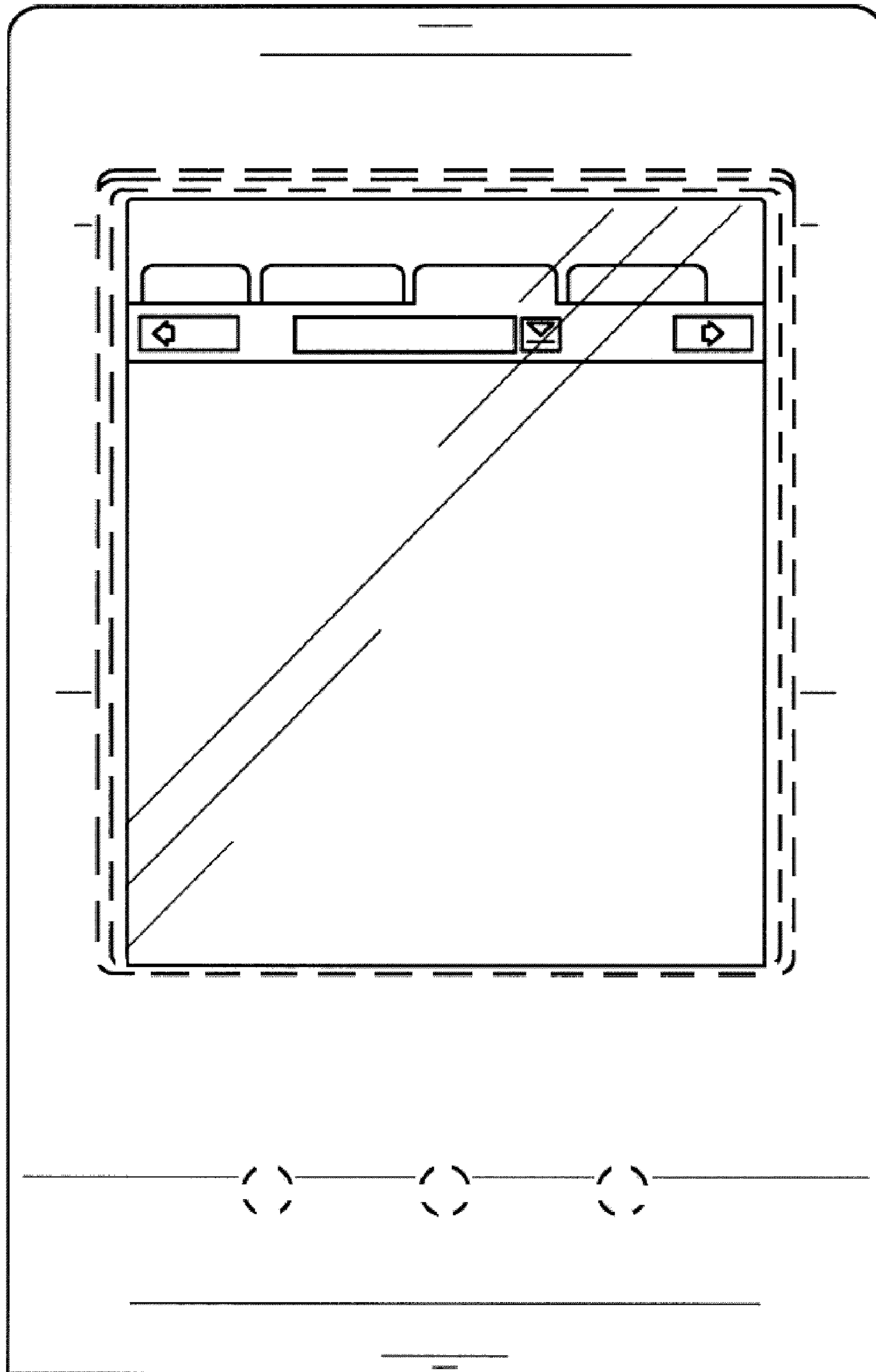


FIG. 2