



US00D651211S

(12) **United States Design Patent**
Lee et al.

(10) **Patent No.:** **US D651,211 S**
(45) **Date of Patent:** **** Dec. 27, 2011**

(54) **CONNECTOR**

(75) Inventors: **Noel Lee**, Las Vegas, NV (US); **Jacky Hsiung**, San Jose, CA (US)

(73) Assignee: **Monster Cable Products, Inc.**,
Brisbane, CA (US)

(**) Term: **14 Years**

(21) Appl. No.: **29/389,501**

(22) Filed: **Apr. 12, 2011**

Related U.S. Application Data

(62) Division of application No. 29/351,325, filed on Dec. 3, 2009, now Pat. No. Des. 638,430.

(51) **LOC (9) Cl.** **14-02**

(52) **U.S. Cl.** **D14/435.1; D13/133**

(58) **Field of Classification Search** D14/411,
D14/433, 435.1, 436, 480.1–480.7, 484.1,
D14/137, 155, 167, 168, 203.1–203.8, 240,
D14/242, 299; D3/201, 273; D13/107, 108,
D13/133, 135, 149, 184; 710/300, 301; 439/131,
439/135–147

See application file for complete search history.

(56) **References Cited**

U.S. PATENT DOCUMENTS

5,529,513	A	6/1996	Lee	
5,564,942	A	10/1996	Lee	
D375,950	S *	11/1996	Jones et al. D14/137
D404,716	S	1/1999	Lee	
D405,050	S	2/1999	Lee	
D405,057	S	2/1999	Martin et al.	
D407,378	S	3/1999	Lee	
D412,314	S	7/1999	Lee	
D415,101	S	10/1999	Martin	
D415,111	S	10/1999	Lee	
6,039,591	A	3/2000	Marsh et al.	
D425,487	S	5/2000	Lee	
6,129,568	A	10/2000	Mercurio et al.	
D434,009	S	11/2000	Lee	

6,176,716	B1	1/2001	Mercurio et al.
6,203,370	B1	3/2001	Lee
D448,006	S	9/2001	Lee
D450,296	S	11/2001	Lee
6,341,979	B1	1/2002	Yamamoto
D453,322	S	2/2002	Lee
D456,362	S	4/2002	Lee
6,406,313	B1	6/2002	Victor
D463,373	S	9/2002	Lee

(Continued)

OTHER PUBLICATIONS

A-Data Technology: Classic Series C801—Simple, uncomplicated, minimalism, and stylization, [online], [retrieved on May 25, 2010]. Retrieved from the Internet <URL: http://www.adata.com.tw/en/product_show.php?ProductNo=AC81ZZZWH>.*

(Continued)

Primary Examiner — Karen E Kearney

(74) *Attorney, Agent, or Firm* — LaRiviere, Grubman & Payne, LLP

(57) **CLAIM**

The ornamental design for a connector, as shown and described.

DESCRIPTION

FIG. 1 is a front perspective view of a connector, showing our new design;

FIG. 2 is a front view thereof;

FIG. 3 is a rear view thereof;

FIG. 4 is a side view thereof;

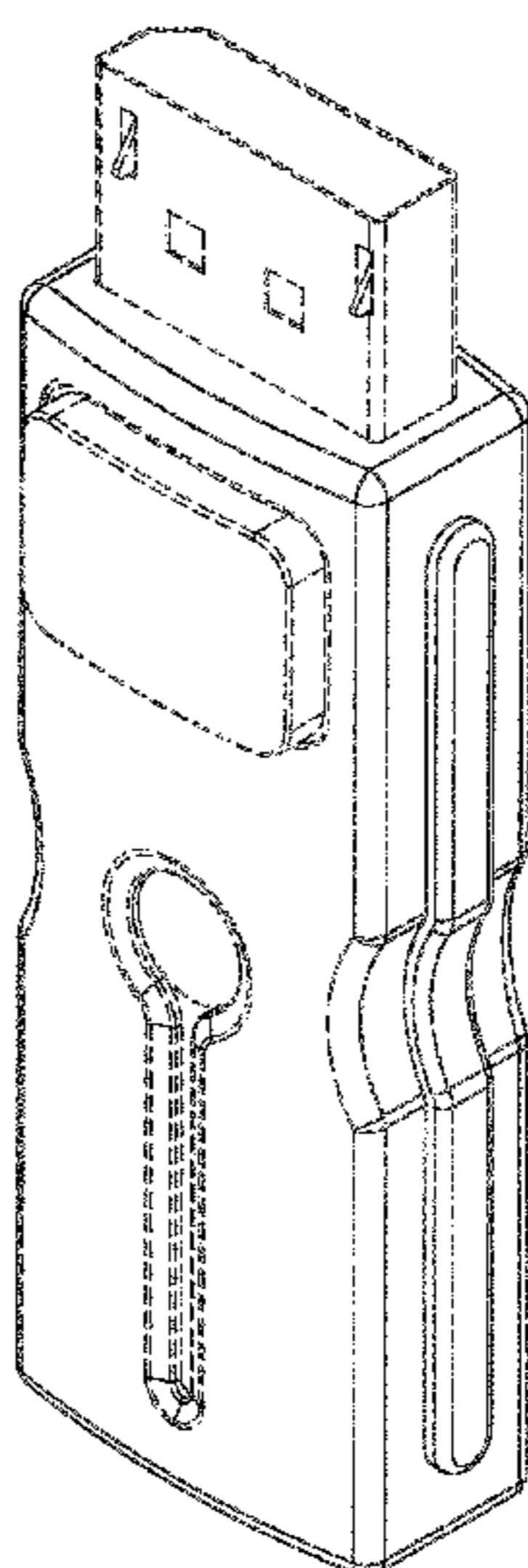
FIG. 5 is an opposing side view thereof;

FIG. 6 is a top view thereof; and,

FIG. 7 is a bottom view thereof.

The broken line showings of the USB connector in FIGS. 1-6, the port in FIG. 7 and the various elements on the front and rear in all the figures are included for the purpose of illustrating unclaimed portions of the connector and form no part of the claimed design.

1 Claim, 2 Drawing Sheets



US D651,211 S

Page 2

U.S. PATENT DOCUMENTS

D471,870 S	3/2003	Lee	
D473,194 S	4/2003	Lee	
6,609,935 B2 *	8/2003	Huang	439/620.16
6,644,993 B2	11/2003	Victor	
D490,779 S	6/2004	Lee	
D491,085 S *	6/2004	Shambaugh et al.	D10/78
D493,113 S *	7/2004	Shambaugh et al.	D10/78
D505,390 S	5/2005	Lee et al.	
D511,501 S	11/2005	Lee et al.	
D514,523 S	2/2006	Lee et al.	
D515,508 S	2/2006	Lee	
D517,497 S	3/2006	Lee	
D542,789 S *	5/2007	Depay	D14/435.1
D549,174 S	8/2007	Lee et al.	
D549,662 S	8/2007	Lee et al.	
D553,568 S	10/2007	Lee et al.	
D563,872 S	3/2008	Lee et al.	
D563,897 S	3/2008	Lee et al.	
D563,898 S	3/2008	Lee et al.	
D570,788 S	6/2008	Lee et al.	
D570,789 S	6/2008	Lee et al.	
D573,103 S	7/2008	Lee et al.	
D574,822 S *	8/2008	Bhavnani	D14/480.3
7,429,197 B2	9/2008	Weis	
D585,836 S	2/2009	Lee et al.	
7,484,990 B1	2/2009	Lee et al.	
D588,546 S	3/2009	Lee et al.	
D588,547 S	3/2009	Lee et al.	
D588,548 S	3/2009	Lee et al.	
D588,549 S	3/2009	Lee et al.	
D592,149 S	5/2009	Lee et al.	
D593,954 S	6/2009	Lee et al.	
D599,742 S	9/2009	Hynecek et al.	
D617,279 S *	6/2010	Lee et al.	D13/147
D638,430 S *	5/2011	Lee et al.	D14/435.1
2005/0286212 A1 *	12/2005	Brignone et al.	361/679
2008/0133832 A1 *	6/2008	Bhavnani	711/115
2010/0281209 A1 *	11/2010	Ni et al.	711/103
2011/0032666 A1 *	2/2011	Gideonse et al.	361/679.01

OTHER PUBLICATIONS

U.S. Appl. No. 11/872,856, filed Oct. 16, 2007, Vern Smith.
U.S. Appl. No. 12/201,418, filed Aug. 29, 2008, Dan Hua, et al.
U.S. Appl. No. 12/201,645, filed Aug. 29, 2008, David Leung, et al.

* cited by examiner

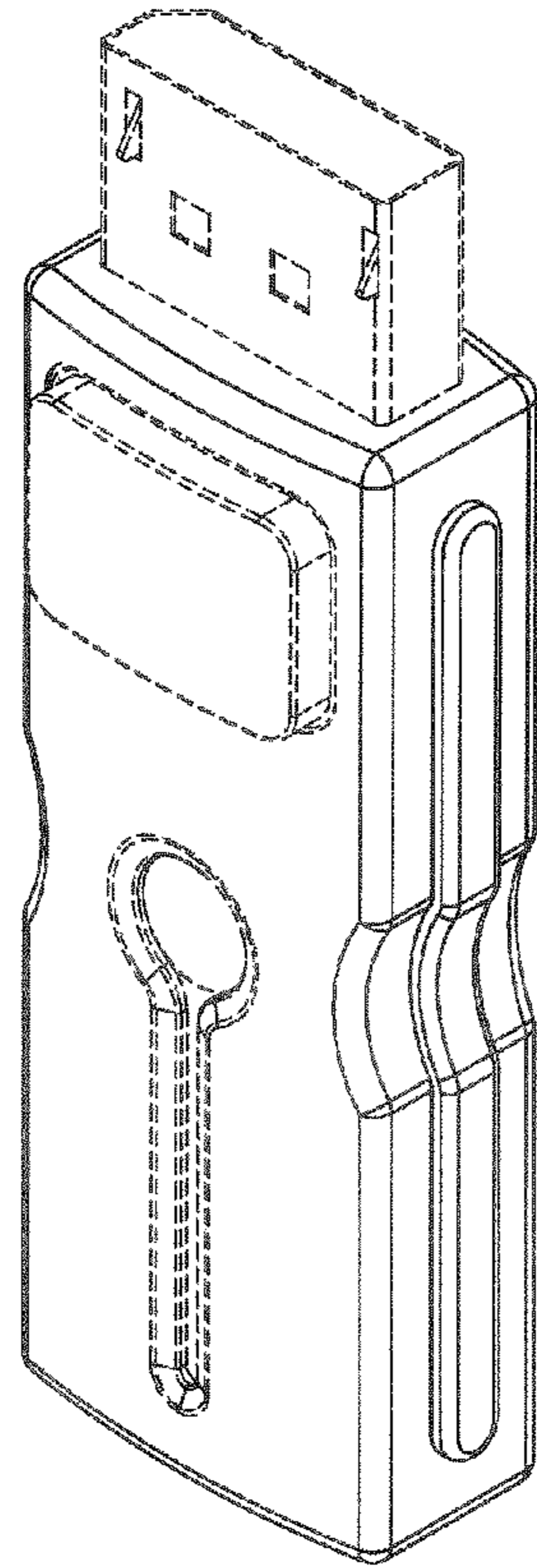


Figure 1

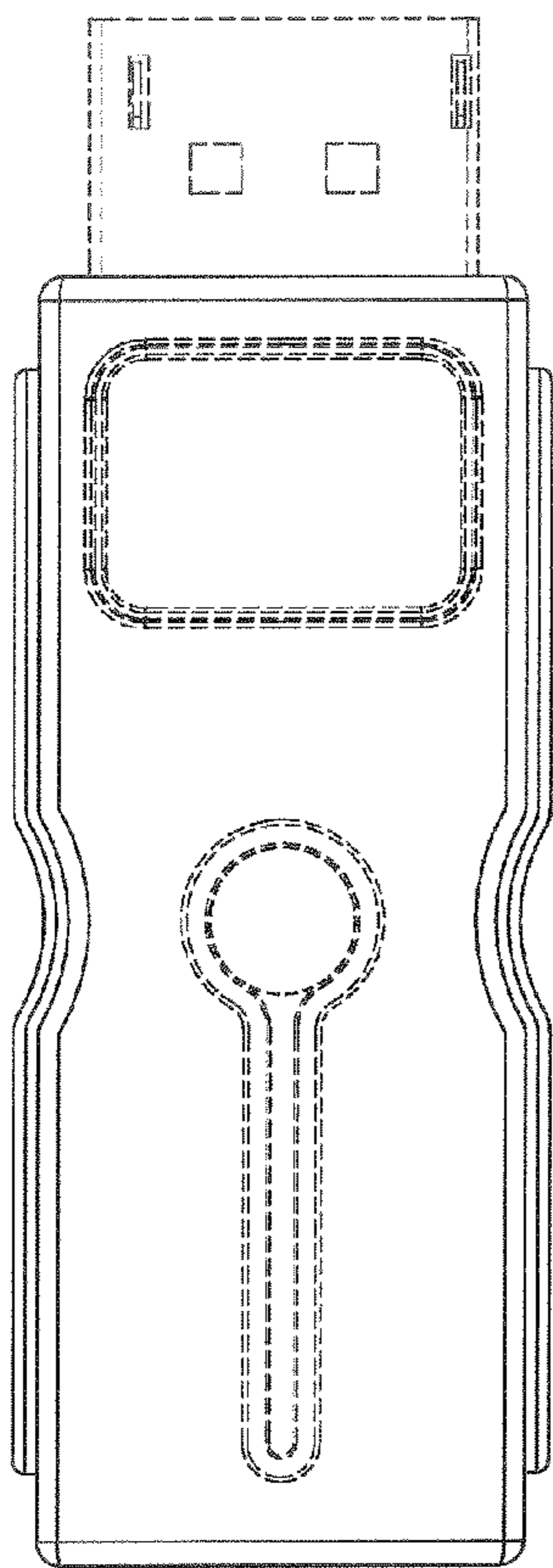


Figure 2

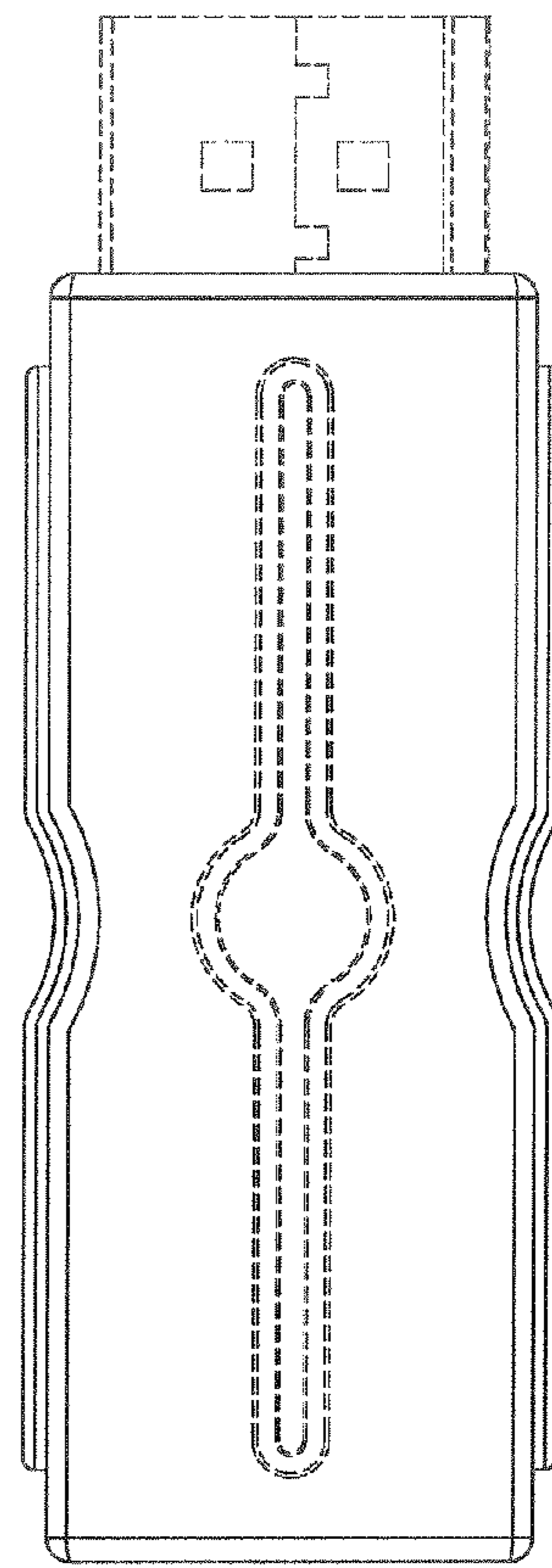


Figure 3

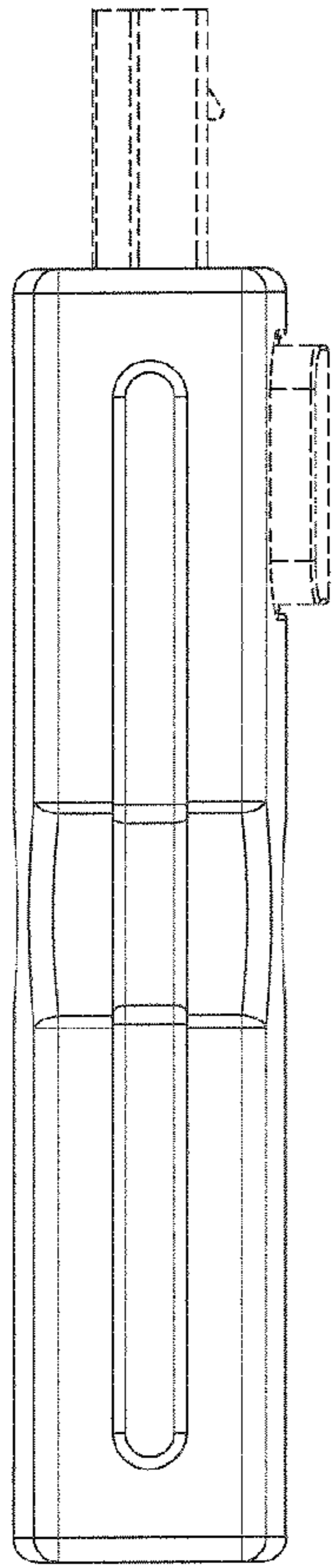


Figure 4

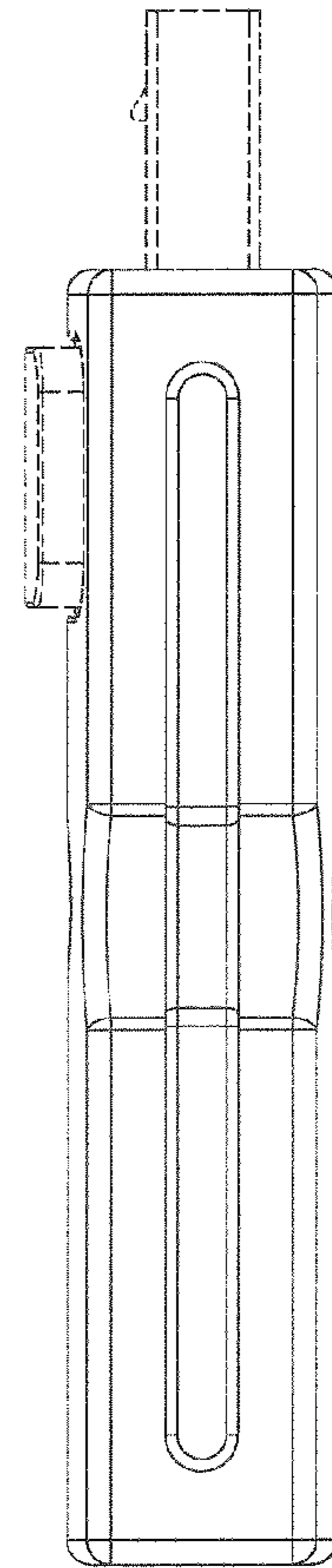


Figure 5

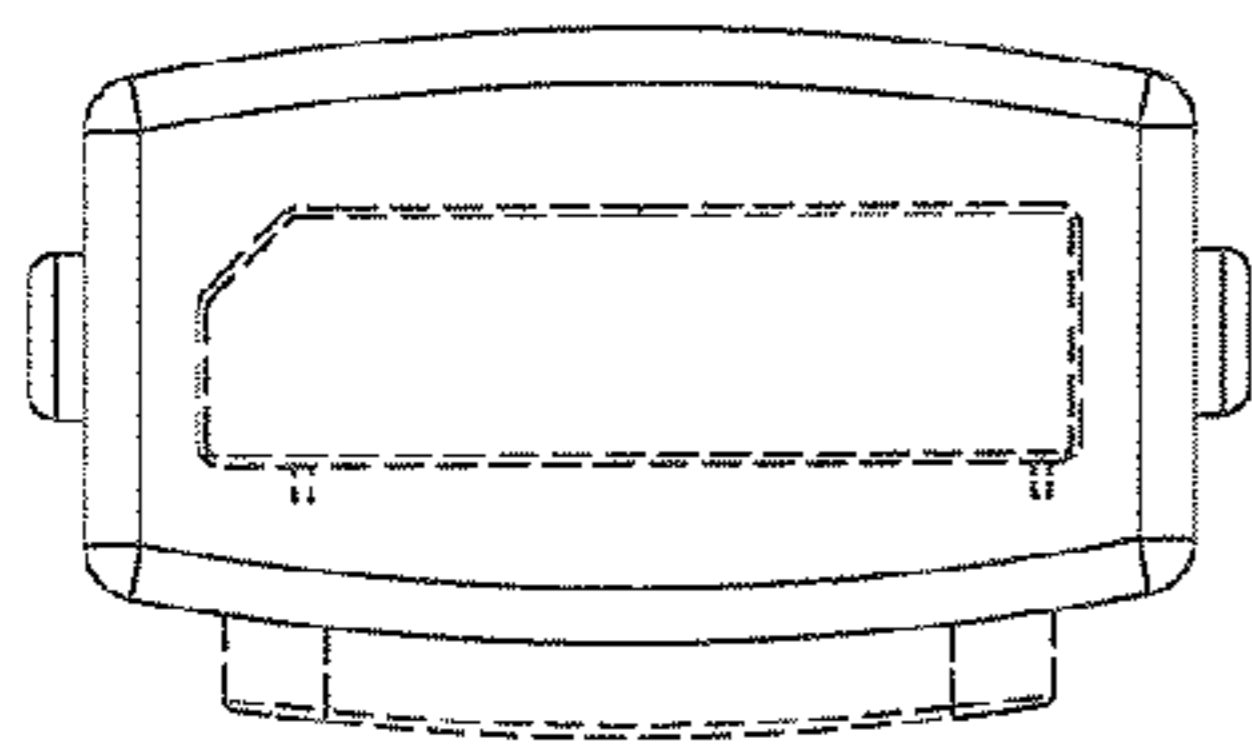


Figure 6

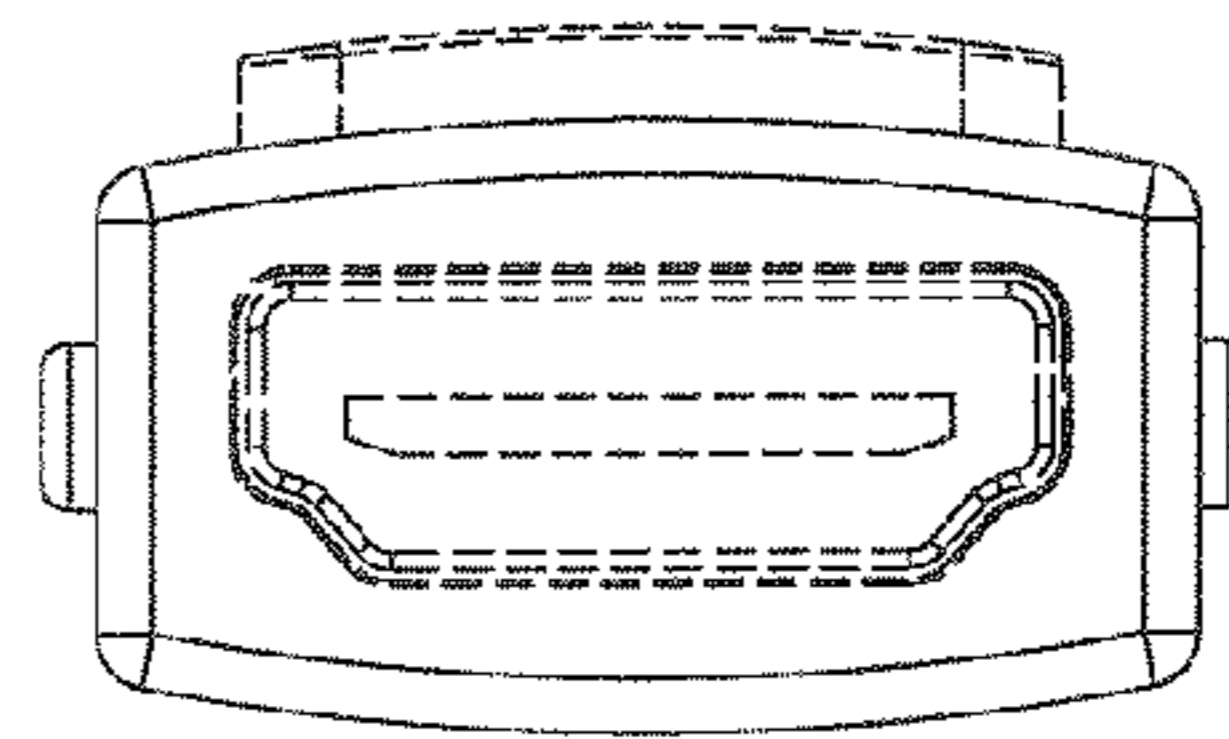


Figure 7