



US00D651209S

(12) **United States Design Patent**  
**Chiu**

(10) **Patent No.:** **US D651,209 S**

(45) **Date of Patent:** **\*\* Dec. 27, 2011**

(54) **DISPLAY**

(75) Inventor: **Yi-Chung Chiu**, Taoyuan County (TW)

(73) Assignee: **Hannspree, Inc.**, Taipei County (TW)

(\*\*) Term: **14 Years**

(21) Appl. No.: **29/391,416**

(22) Filed: **May 9, 2011**

(51) **LOC (9) Cl.** ..... **14-02**

(52) **U.S. Cl.** ..... **D14/371; D6/308**

(58) **Field of Classification Search** ..... D14/371-375,  
D14/125-129, 336, 337; 341/12; 345/104,  
345/156, 168, 173; 348/180, 184, 325, 739;  
349/1, 2, 11, 62; 361/679.06, 679.21; D6/300,  
D6/308

See application file for complete search history.

(56) **References Cited**

**U.S. PATENT DOCUMENTS**

D313,700 S \* 1/1991 Zoldessy ..... D6/306  
D449,602 S \* 10/2001 Yu et al. .... D14/336  
D471,600 S \* 3/2003 Choi ..... D21/515

D476,334 S \* 6/2003 Koo et al. .... D14/375  
D479,236 S \* 9/2003 Borsboom et al. .... D14/375  
D494,970 S \* 8/2004 Chen ..... D14/371  
D535,991 S \* 1/2007 Chiu ..... D14/371  
D610,583 S \* 2/2010 Chiu ..... D14/371

\* cited by examiner

*Primary Examiner* — Freda S Nunn

(74) *Attorney, Agent, or Firm* — Hamre, Schumann, Mueller & Larson, P.C.

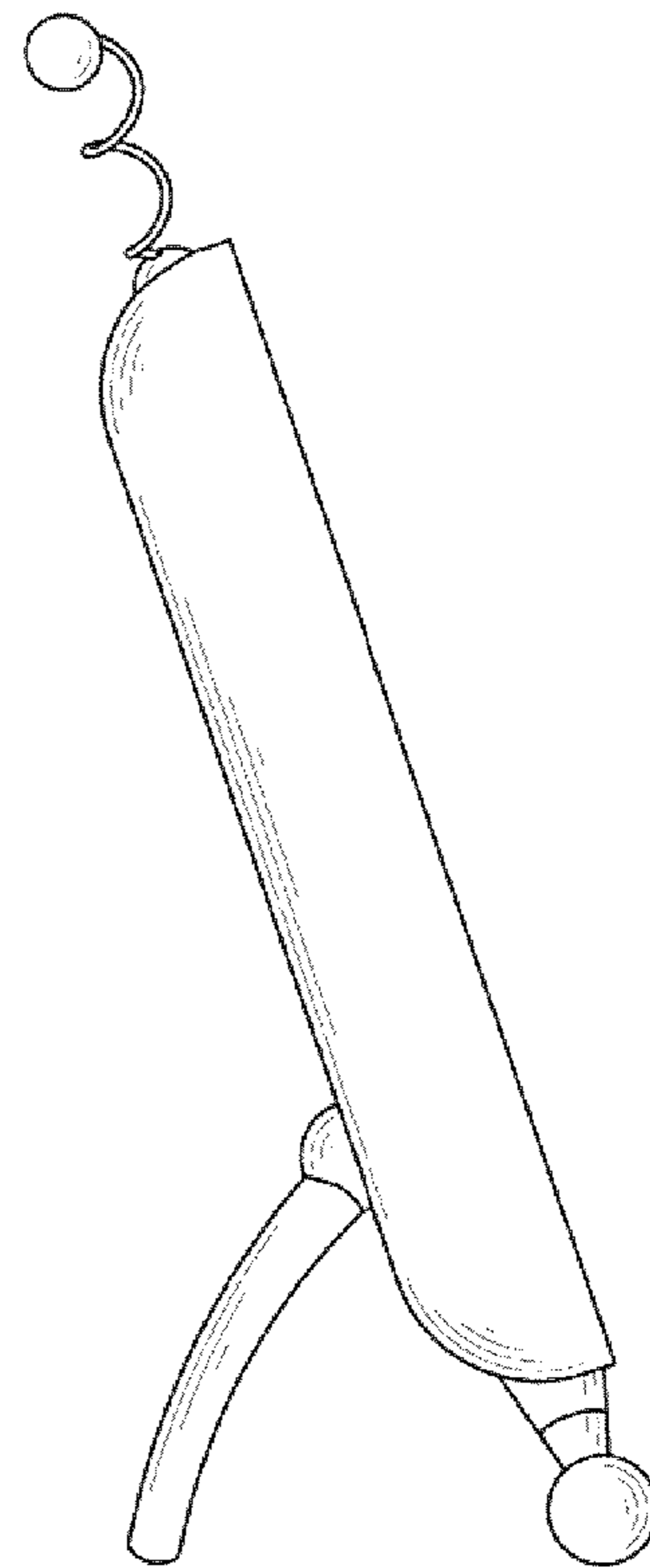
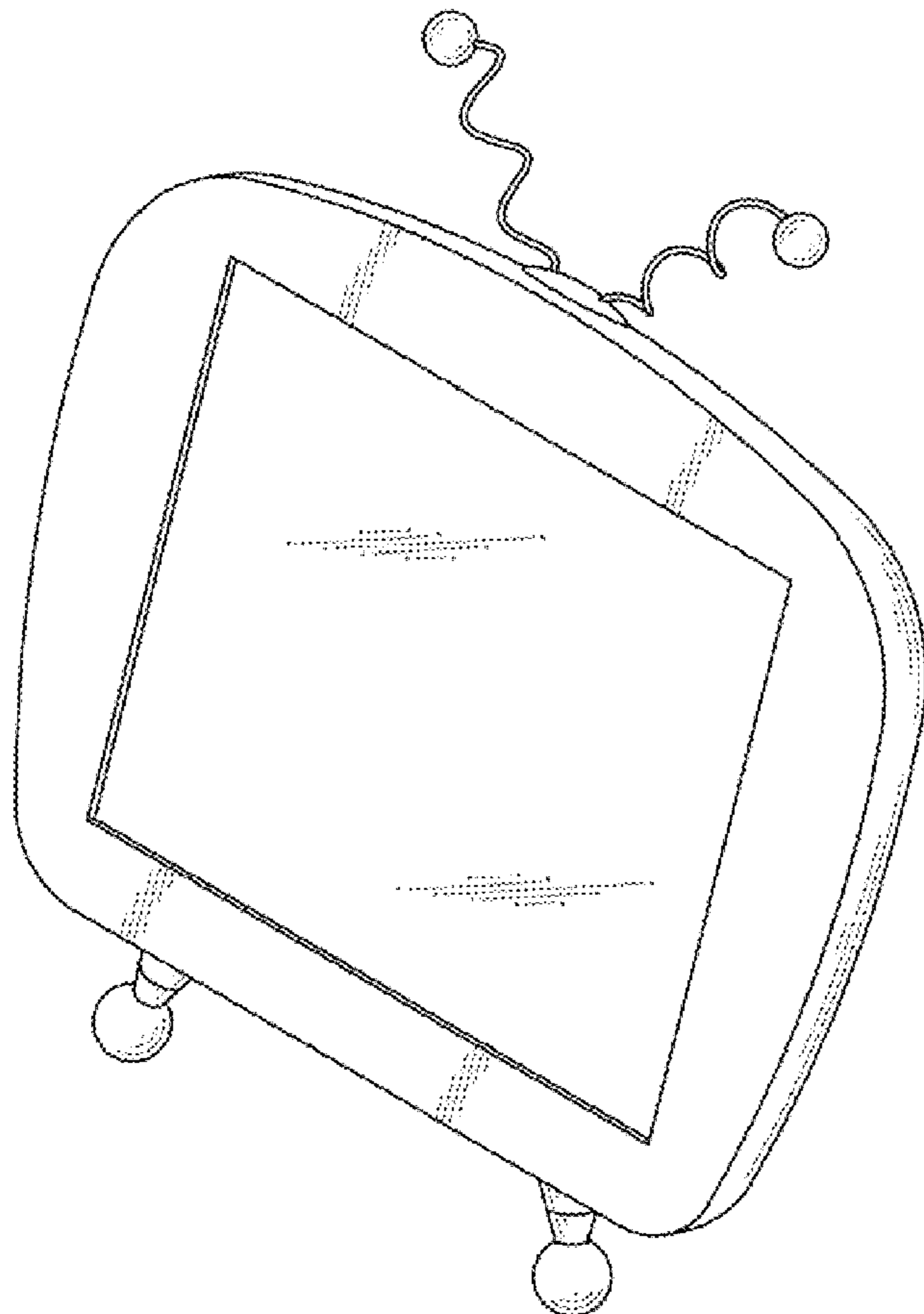
(57) **CLAIM**

The ornamental design for a display, as shown and described.

**DESCRIPTION**

FIG. 1 is a front perspective view of a display in accordance with my new invention;  
FIG. 2 is a front elevational view thereof;  
FIG. 3 is a rear elevational view thereof;  
FIG. 4 is a left side elevational view thereof;  
FIG. 5 is a right side elevational view thereof;  
FIG. 6 is a top plan view thereof; and,  
FIG. 7 is a bottom plan view thereof.

**1 Claim, 7 Drawing Sheets**



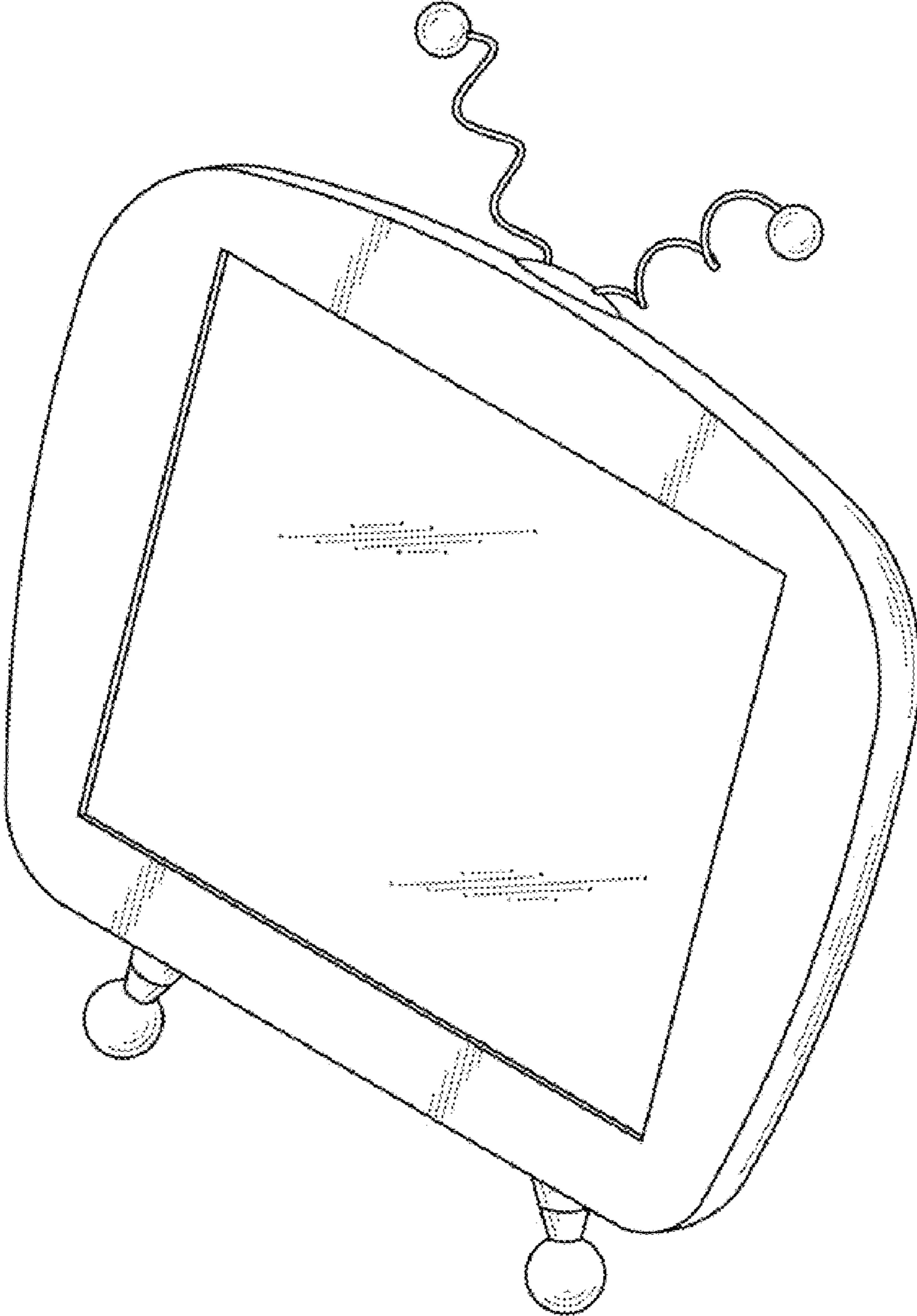


FIG. 1

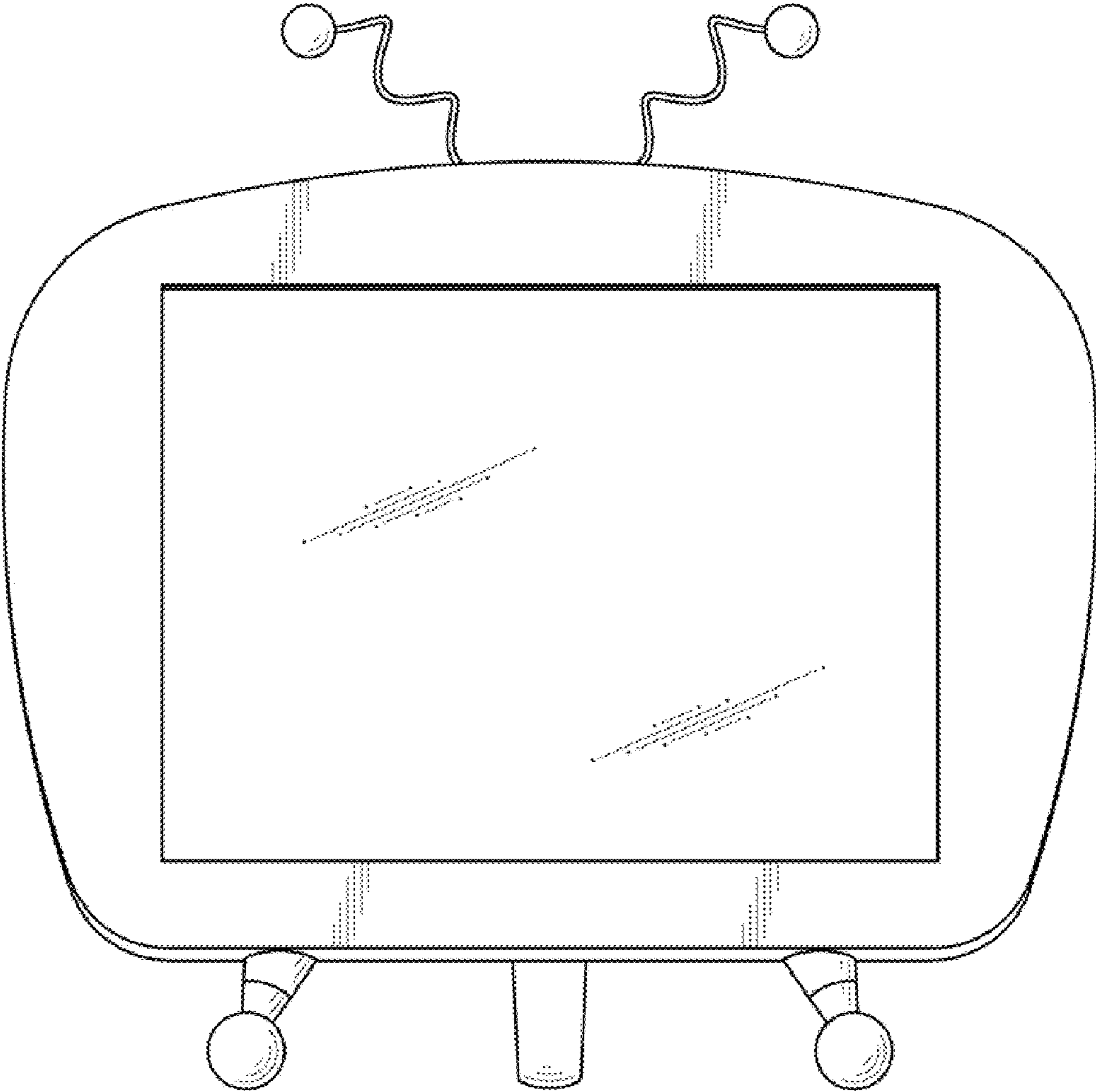
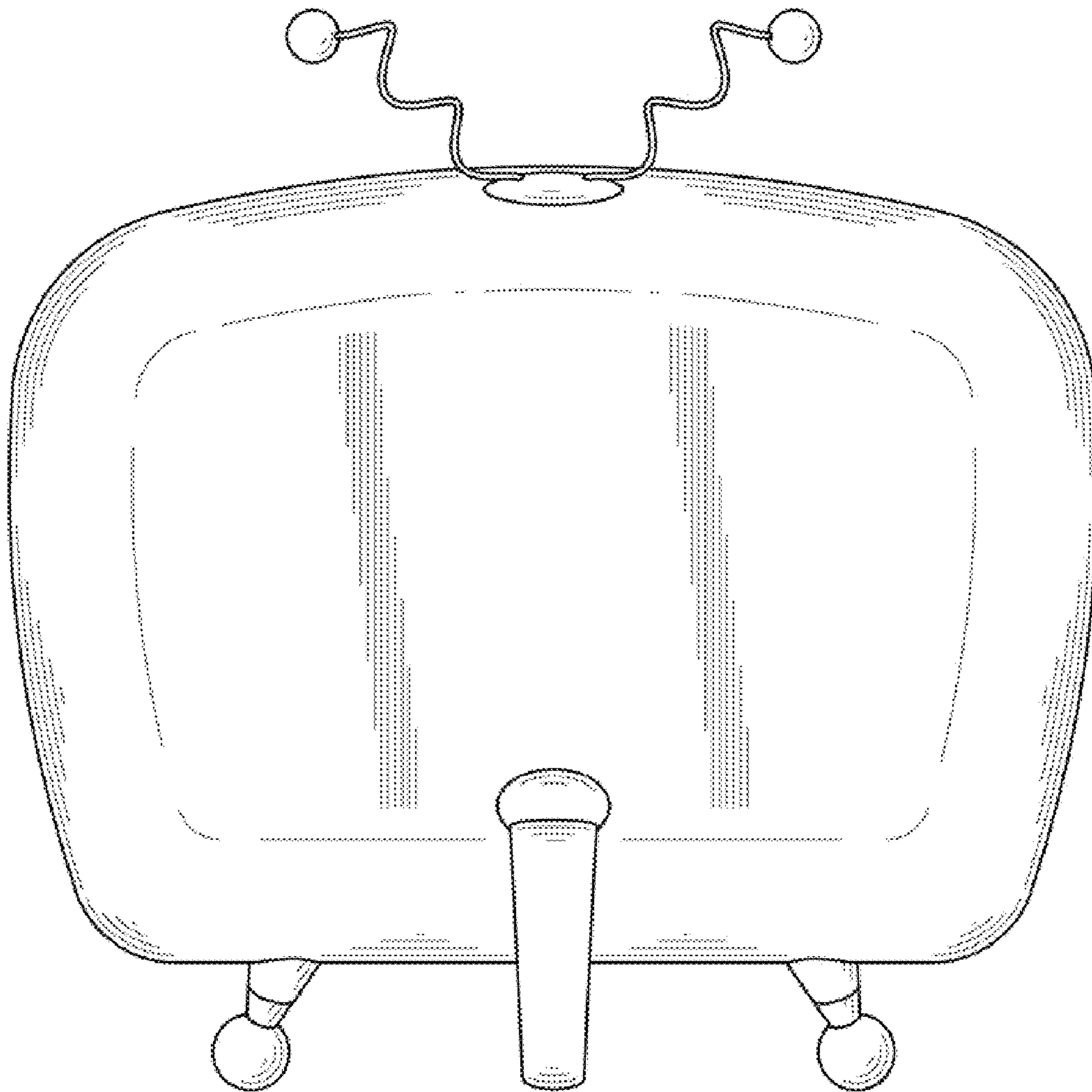
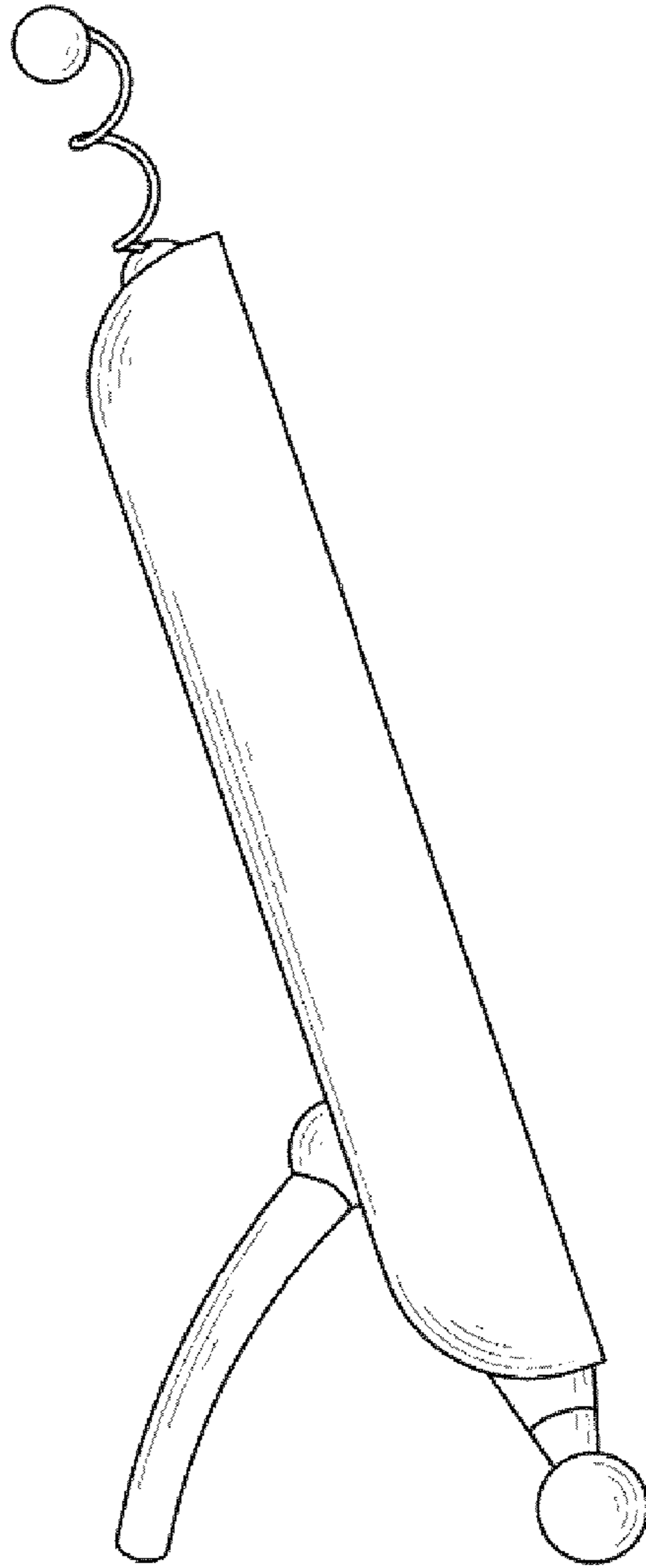


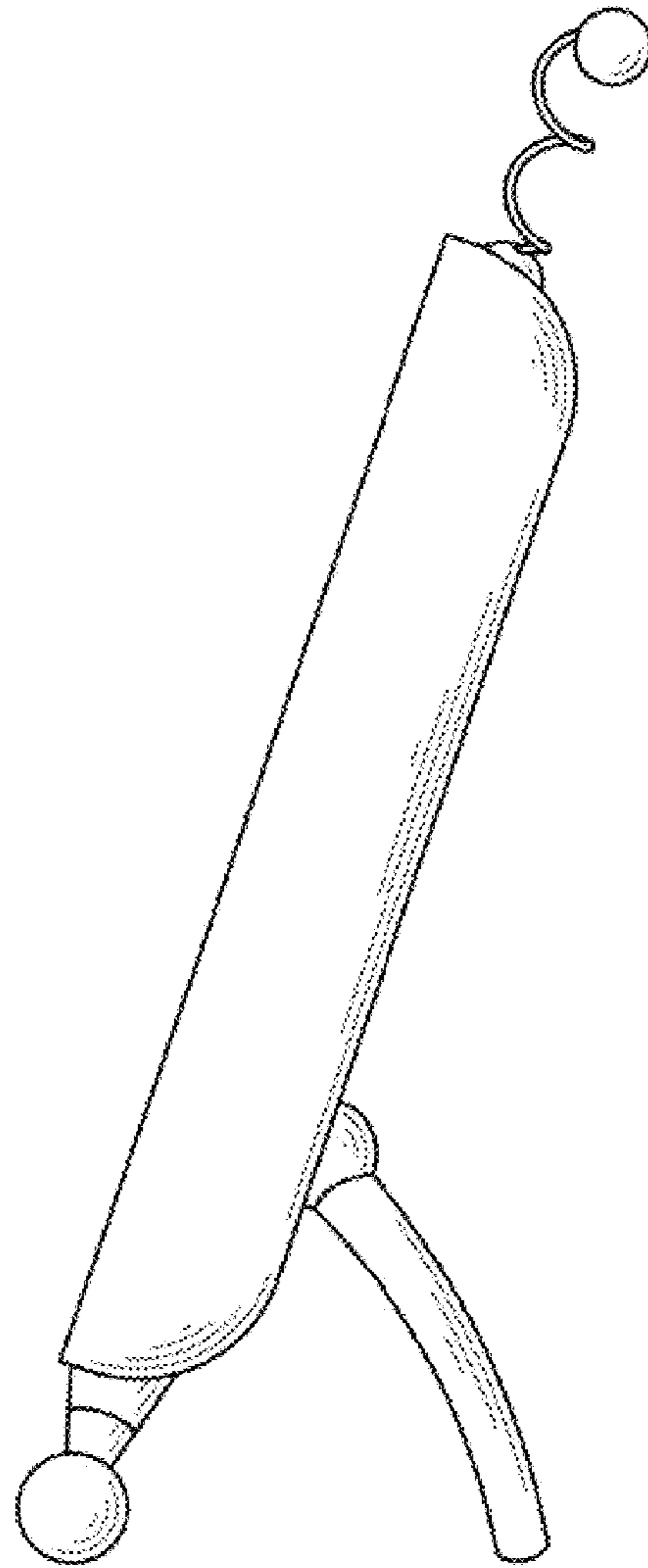
FIG. 2



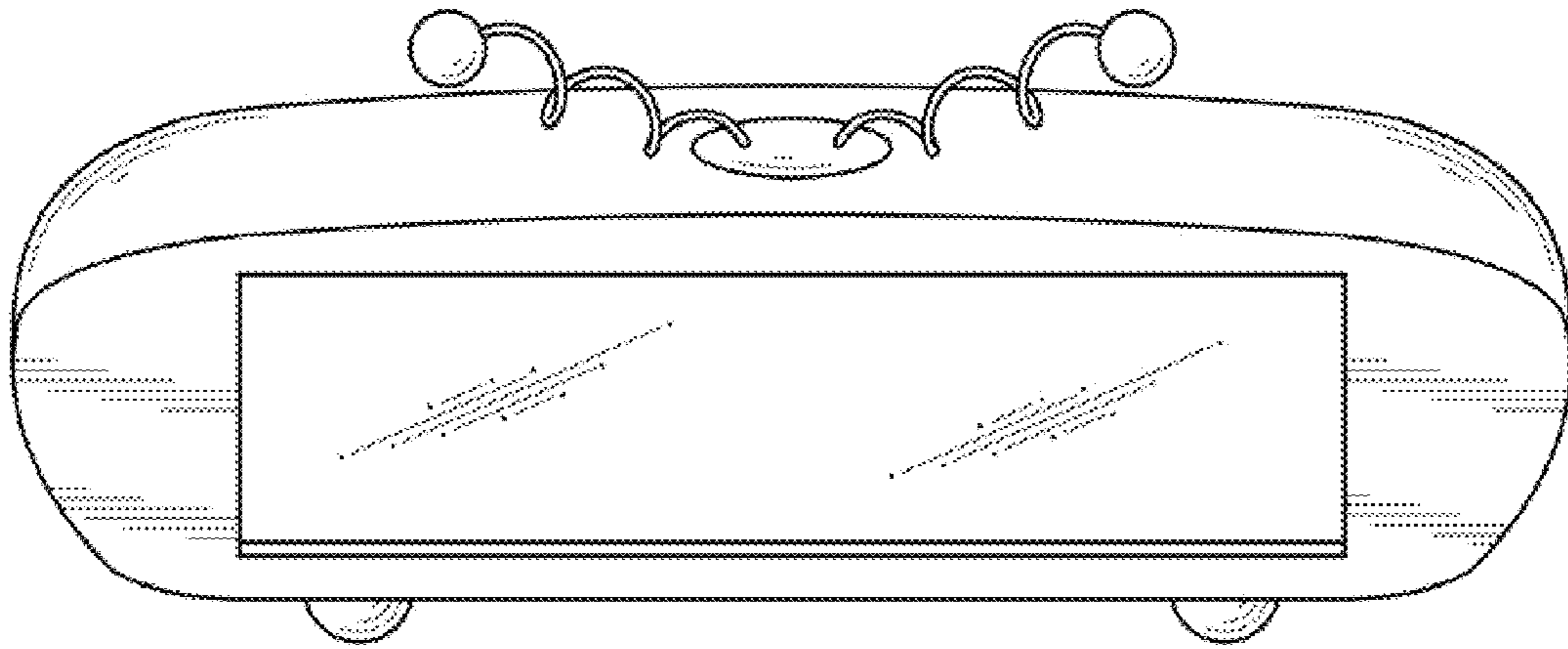
**FIG. 3**



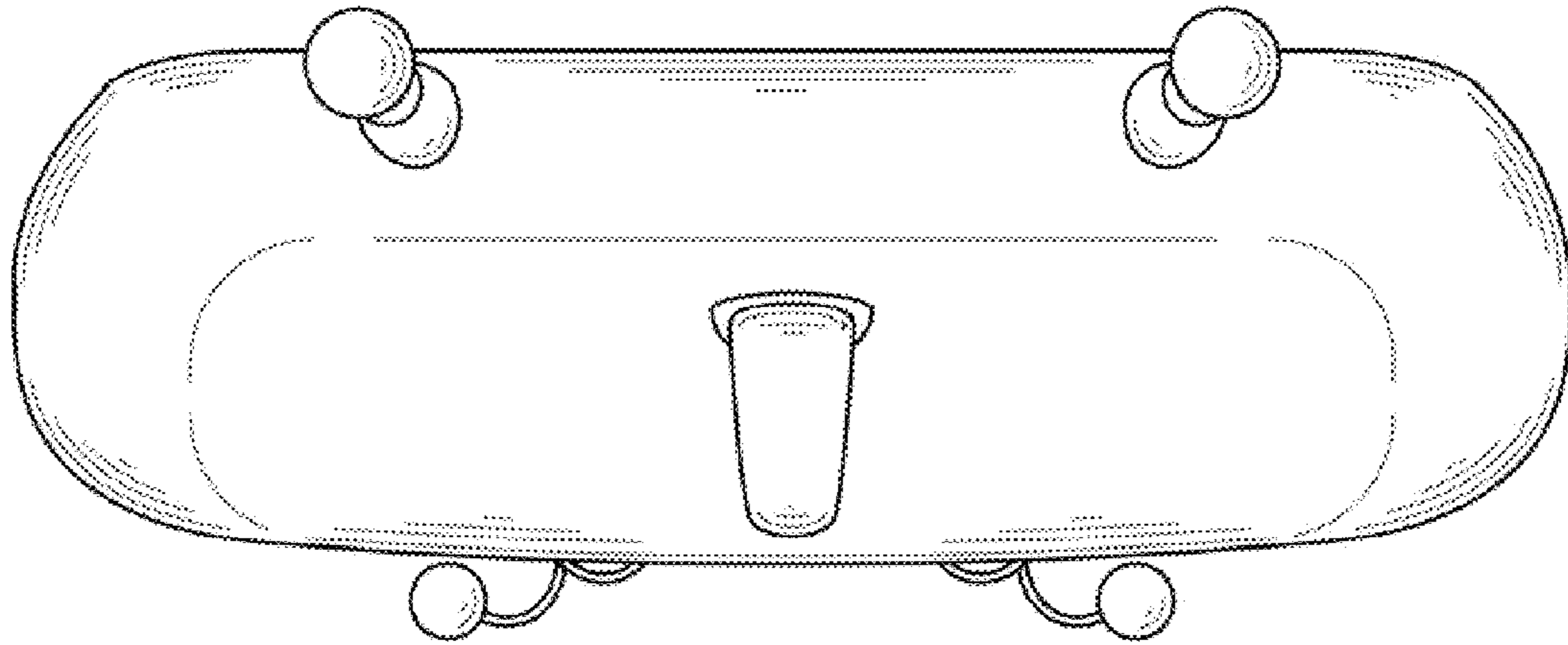
**FIG. 4**



**FIG. 5**



**FIG. 6**



**FIG. 7**