



US00D651205S

(12) **United States Design Patent**  
**Soekoro**

(10) **Patent No.:** **US D651,205 S**

(45) **Date of Patent:** **\*\* Dec. 27, 2011**

(54) **CELLPHONE CASE**

(76) Inventor: **Prapanch Soekoro**, Long Island City,  
NY (US)

(\*\*) Term: **14 Years**

(21) Appl. No.: **29/391,371**

(22) Filed: **May 6, 2011**

(51) **LOC (9) Cl.** ..... **14-03**

(52) **U.S. Cl.** ..... **D14/250**

(58) **Field of Classification Search** ..... D14/250–253,  
D14/440, 203.3–203.7, 217, 496, 248; D3/201,  
D3/218, 269, 301, 273, 303; D13/103, 107–108;  
220/4.02; 248/309.1; 361/679.56; 379/426,  
379/433.11, 455; 455/575.1, 575.8; 190/100;  
206/305, 320; D22/117; D2/925; D7/515  
See application file for complete search history.

(56) **References Cited**

**U.S. PATENT DOCUMENTS**

D357,918 S	5/1995	Doria	
D365,622 S	12/1995	Edwards	
D434,410 S *	11/2000	Frye et al. ....	D14/248
D435,541 S *	12/2000	Kataoka et al. ....	D14/217
6,201,867 B1 *	3/2001	Koike .....	379/433.11
D457,163 S *	5/2002	Peiker .....	D14/434
D500,546 S *	1/2005	Anderson .....	D22/117
D531,797 S	11/2006	Briggs	
D543,541 S *	5/2007	Chung et al. ....	D3/269
D548,653 S	8/2007	Costa	
D553,352 S *	10/2007	Allen .....	D3/218
D561,294 S *	2/2008	Pennington .....	D22/117
D565,290 S *	4/2008	Brandenburg et al. ....	D3/218
D575,771 S	8/2008	Tolve	
D580,710 S *	11/2008	Huggins .....	D7/515
D582,894 S	12/2008	Richter	
D593,750 S *	6/2009	Song .....	D3/269
D595,486 S *	7/2009	Van Hulle .....	D2/925
D600,008 S	9/2009	Levis et al.	
D602,913 S	10/2009	Han et al.	
D606,305 S	12/2009	Lee et al.	

D609,346 S	2/2010	Yu	
D614,179 S *	4/2010	Behar et al. ....	D14/248
D619,361 S *	7/2010	Andre et al. ....	D3/269
D620,247 S	7/2010	Behar et al.	
D620,931 S *	8/2010	Opman .....	D14/250
D625,303 S *	10/2010	Kim .....	D14/250
D627,963 S	11/2010	Schwarz	
D635,555 S	4/2011	Giles	
D640,679 S *	6/2011	Willes et al. ....	D14/250
D641,756 S *	7/2011	Hsieh et al. ....	D14/440
D643,433 S *	8/2011	Hsieh et al. ....	D14/440
D643,843 S *	8/2011	Hsieh et al. ....	D14/440
D644,428 S *	9/2011	Feng .....	D3/218
2009/0036174 A1 *	2/2009	Brandenburg et al. ....	455/575.1

**OTHER PUBLICATIONS**

i-Handbag purse style iPhone 4 case, <URL:http://askalexia.com/2011/08/04/two-cool-iphone-4-cases-brushed-aluminum-gasket-case-and-i-handbag-purse-style-case/>, retrieved from internet Sep. 30, 2011.\*

(Continued)

*Primary Examiner* — Robert M Spear

*Assistant Examiner* — Carla Wright

(74) *Attorney, Agent, or Firm* — QuickPatents, Inc.; Kevin Prince

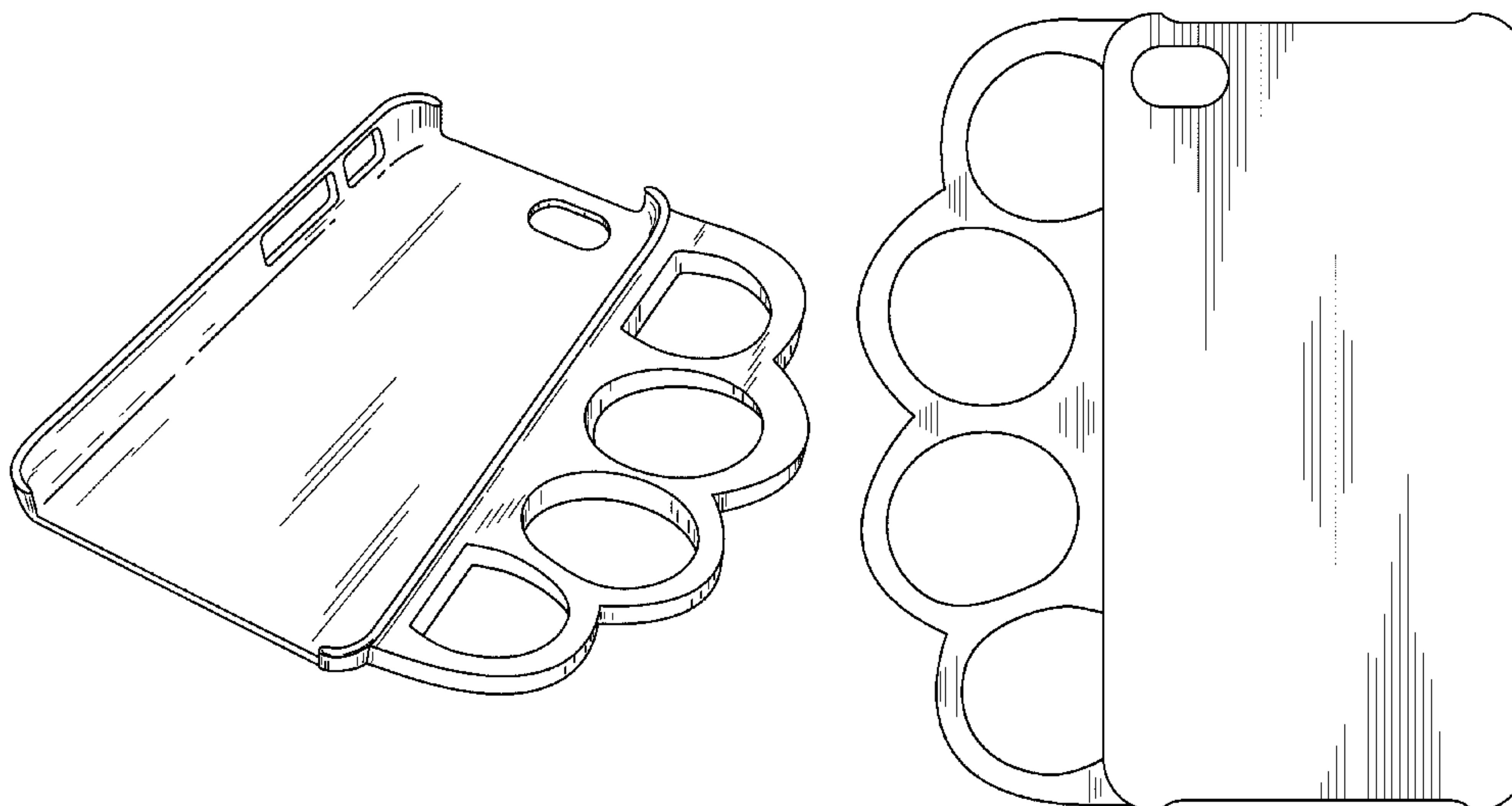
(57) **CLAIM**

I claim the ornamental design for a cellphone case, as shown and described.

**DESCRIPTION**

FIG. 1 is a perspective view of a cellphone case, showing my new design;  
FIG. 2 is a front elevational view thereof;  
FIG. 3 is a rear elevational view thereof;  
FIG. 4 is a right-side elevational view thereof;  
FIG. 5 is a left-side elevational view thereof;  
FIG. 6 is a top plan view thereof; and,  
FIG. 7 is a bottom plan view thereof.

**1 Claim, 4 Drawing Sheets**



OTHER PUBLICATIONS

Handgun Shaped iPhone Case, <URL:http://www.humorcrazy.net/handgun-shaped-iphone-case-535>, retrieved from internet Oct. 1, 2011.\*

Swiss Cheese iPhone Case, posted Oct. 29, 2009, <URL:http://walyou.com/swiss-cheese-iphone-case/>, retrieved from internet Oct. 1, 2011.\*

Opena iPhone Case, posted on Jul. 19, 2011, <URL:http://brewreview.com/blog/opena-turns-your-iphone-into-a-bottle-opener/>, retrieved from internet Oct. 1, 2011.\*

Vyntage Finger Hole Clutch, <URL:http://www.kaboodle.com/reviews/vyntage-finger-hole-clutch>, retrieved from internet Oct. 1, 2011.\*

Article with photo: "Brass Knuckles", <URL:http://en.wikipedia.org/wiki/Brass\_knuckles>, retrieved from internet Oct. 3, 2011.\*

Melee Mug, <URL:http://www.thinkgeek.com/interests/zombies/bled/>, retrieved from internet Oct. 3, 2011.\*

The Original Brass Knuckles, <URL:http://www.brassknucklescompany.com/CRE/original-brass-knuckles-p-233.html?osCsid=2407a6a18917868770aaa3c42ed3aa39>, retrieved from internet Oct. 3, 2011.\*

iphone case + brass knuckles, posted Sep. 8, 2011, <URL:http://abeautiffuldisaster.blogspot.com/2011/09/thats-just-not-my-thing-thursdays.html>, retrieved from internet Oct. 3, 2011.\*

Grip-Ex: Brass Knuckles for your Mobile Phone Device, announcement posted Oct. 19, 2010, <URL:http://www.geardiary.com/2010/10/19/grip-ez-brass-knuckles-for-your-mobile-device/>, retrieved from internet Oct. 3, 2011.\*

\* cited by examiner

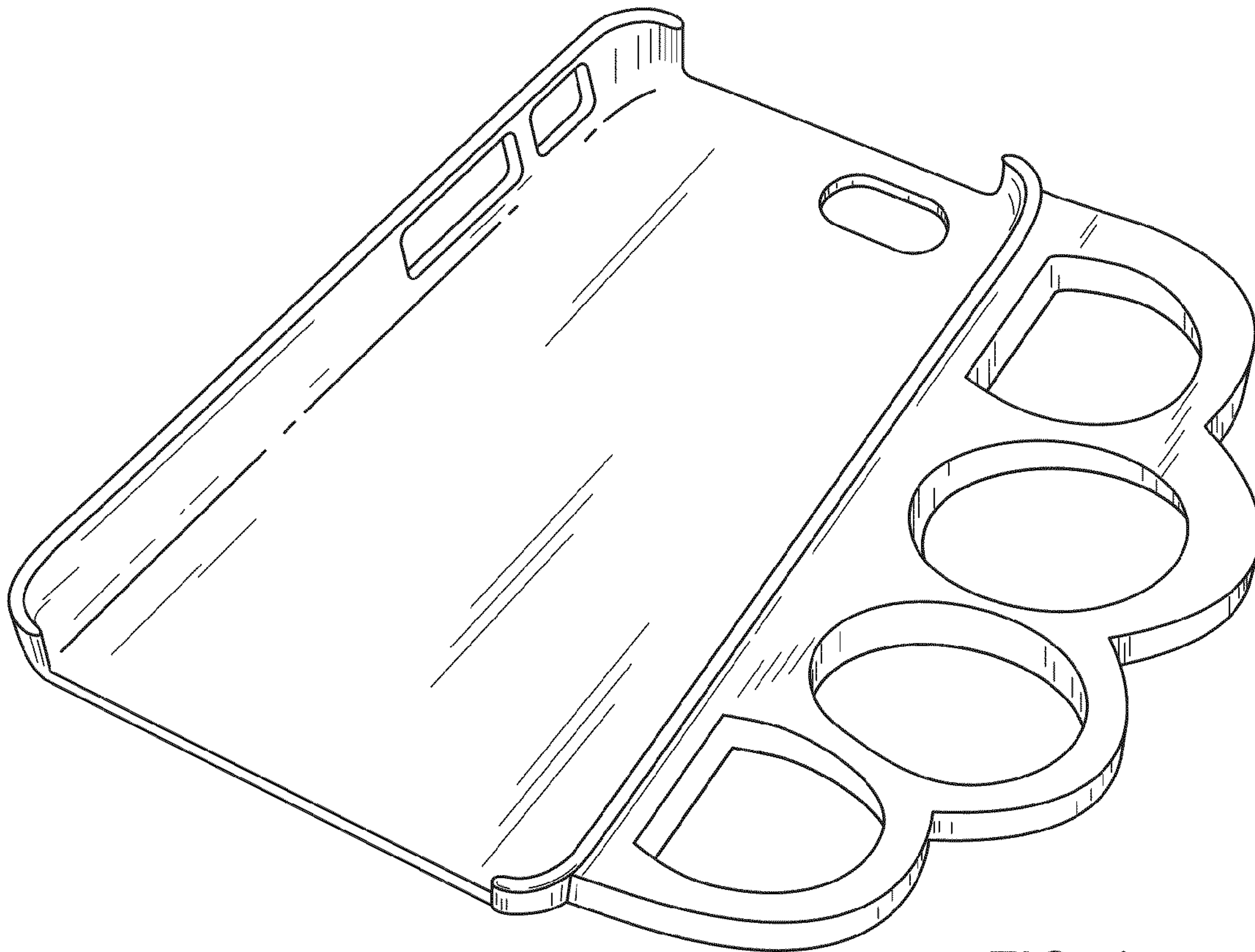


FIG. 1

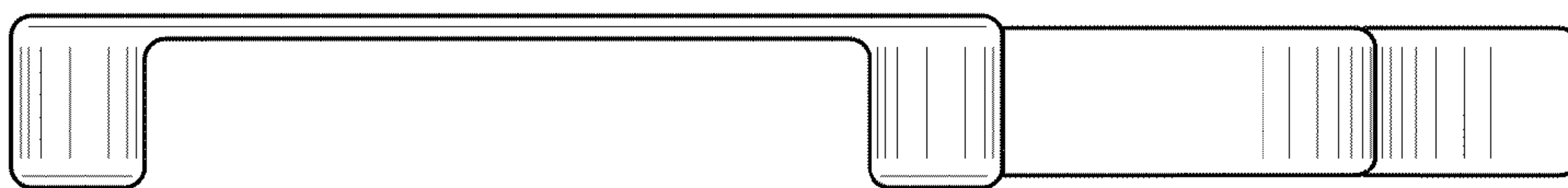


FIG. 2

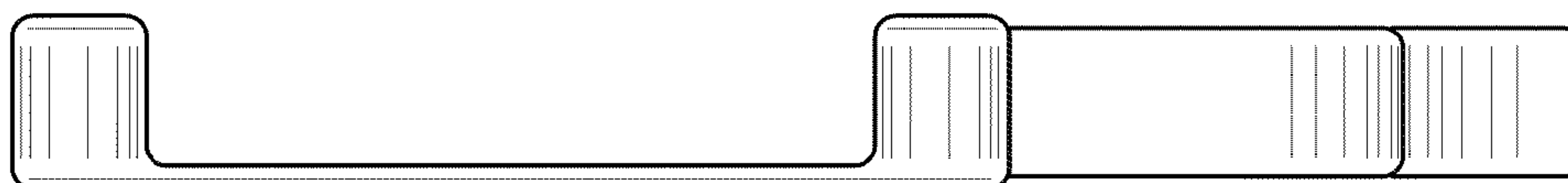


FIG. 3

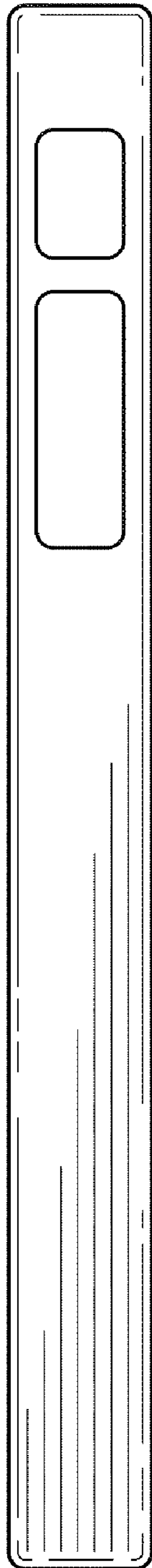


FIG. 4

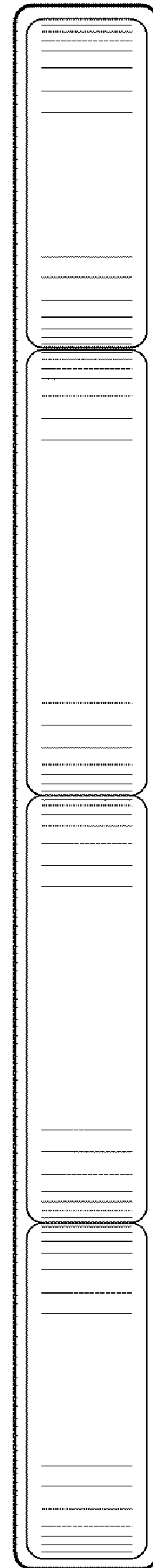


FIG. 5



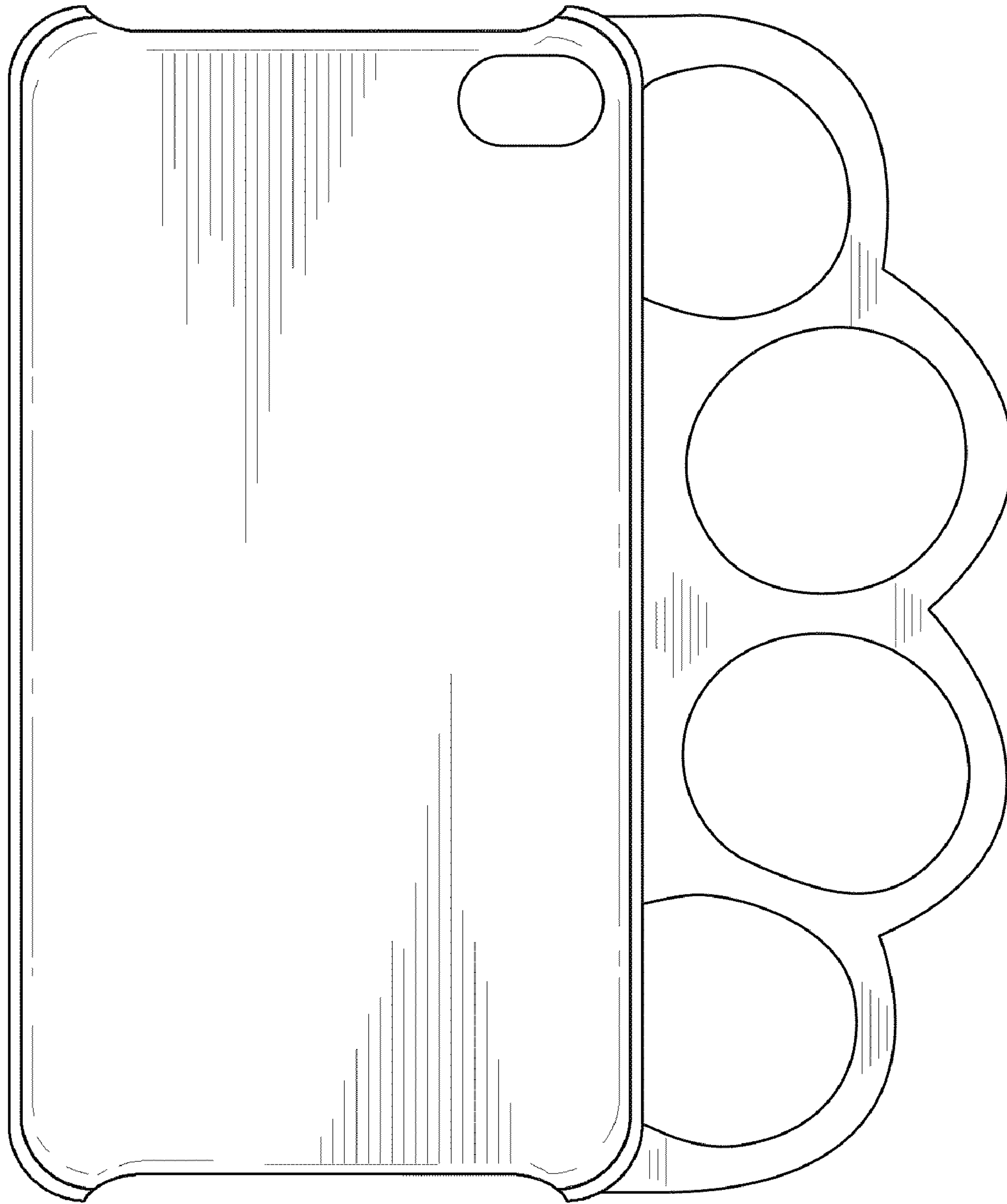


FIG. 6

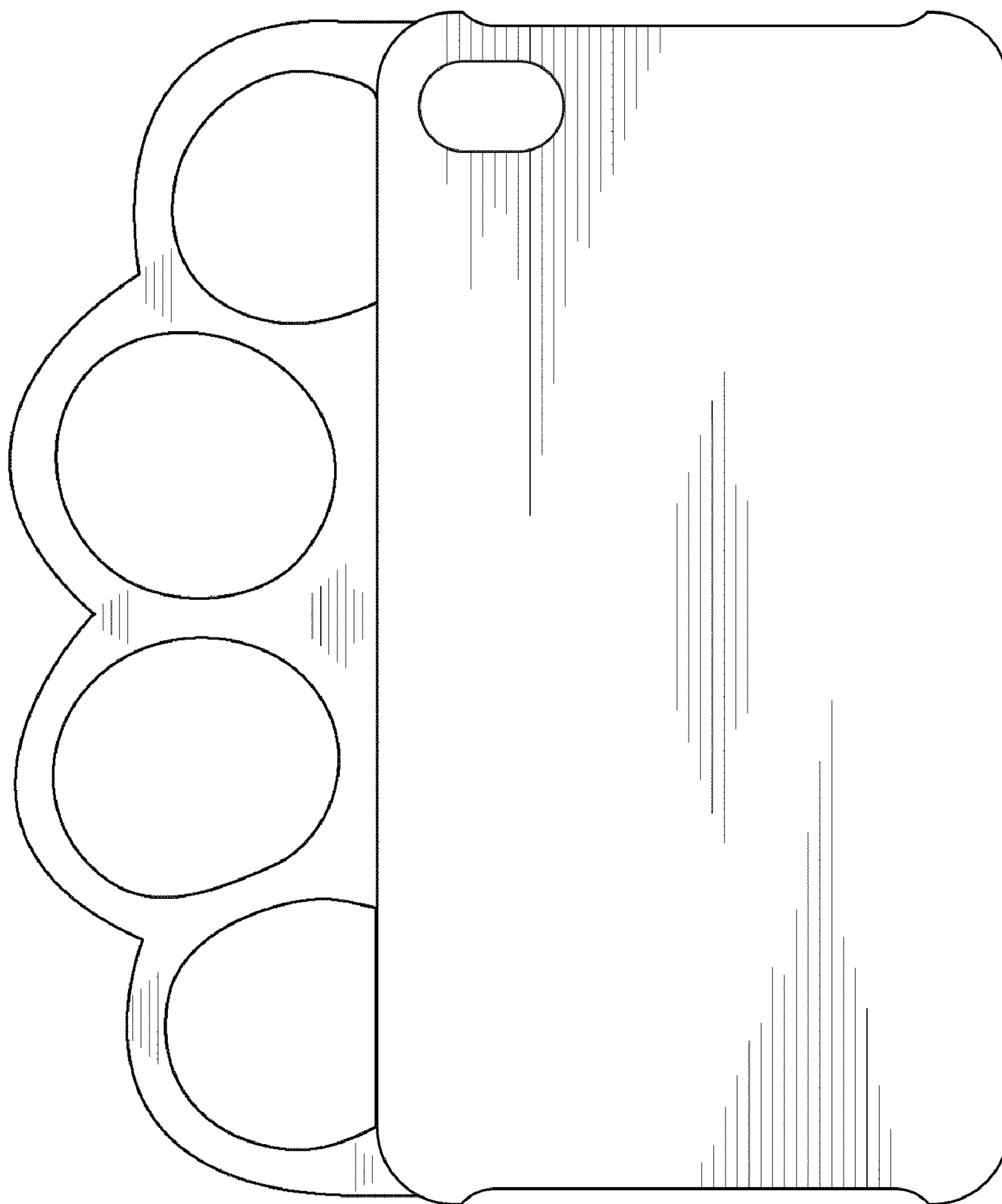


FIG. 7