



US00D651200S

(12) **United States Design Patent**
Sugime et al.

(10) **Patent No.:** **US D651,200 S**
(45) **Date of Patent:** **** Dec. 27, 2011**

(54) **BASE STATION**

(75) Inventors: **Tomonori Sugime**, Yokohama (JP);
Shuichi Kutsuzawa, Yokohama (JP);
Tetsu Miyazawa, Cyuou-ku (JP)

(73) Assignee: **Kyocera Corporation**, Kyoto (JP)

(**) Term: **14 Years**

(21) Appl. No.: **29/359,148**

(22) Filed: **Apr. 6, 2010**

(30) **Foreign Application Priority Data**

Jan. 26, 2010 (JP) 2010-001663

(51) **LOC (9) Cl.** **14-03**

(52) **U.S. Cl.** **D14/240; D14/140.6**

(58) **Field of Classification Search** D14/240–242,
D14/356–358, 140.1–140.6, 140, 155, 159,
D14/141.1–141.3, 137, 149, 150, 349, 351,
D14/348, 353–355, 170–171, 225, 217, 125,
D14/230; D13/184, 133, 152; 455/550.1;
361/679.4, 679.56, 679.03, 679.26; 340/7.54;
439/717; 370/315; 375/311

See application file for complete search history.

(56) **References Cited**

U.S. PATENT DOCUMENTS

D230,406 S * 2/1974 Hampton D13/152
D281,315 S * 11/1985 Kjeld D13/184
D292,914 S * 11/1987 Moeller D13/123
D311,389 S * 10/1990 Festa et al. D14/301
D314,770 S * 2/1991 Desbarats D14/140.2
5,029,958 A * 7/1991 Hodge et al. 385/100
5,065,278 A * 11/1991 Schultz 361/688
D326,088 S * 5/1992 Hudson et al. D13/184
D336,074 S * 6/1993 Friend et al. D13/184
D379,088 S * 5/1997 Hopper D13/152
D382,539 S * 8/1997 Kornblum et al. D13/123

5,771,468 A * 6/1998 Stein 455/561
D416,873 S * 11/1999 Korsunsky et al. D14/140.5
D427,180 S * 6/2000 Humes et al. D14/230
6,354,461 B1 * 3/2002 Tenney et al. 220/836
D458,228 S * 6/2002 Jacobson D13/152
D463,412 S * 9/2002 Bloemen D14/240
D490,805 S * 6/2004 Lee D14/312
7,450,382 B1 * 11/2008 Fischer et al. 361/695
D621,812 S * 8/2010 Wayman D14/140.5
D638,376 S * 5/2011 Herrmann et al. D13/179

FOREIGN PATENT DOCUMENTS

JP 1246065 7/2005
JP 1246198 7/2005
JP 1303944 6/2007
JP 1344792 11/2008
JP 1349047 1/2009
JP 1349048 1/2009
JP 1349049 1/2009

OTHER PUBLICATIONS

ZTE (Lte); Date of publication: unknown.

(Continued)

Primary Examiner — Jeffrey D Asch

(74) *Attorney, Agent, or Firm* — DLA Piper LLP (US)

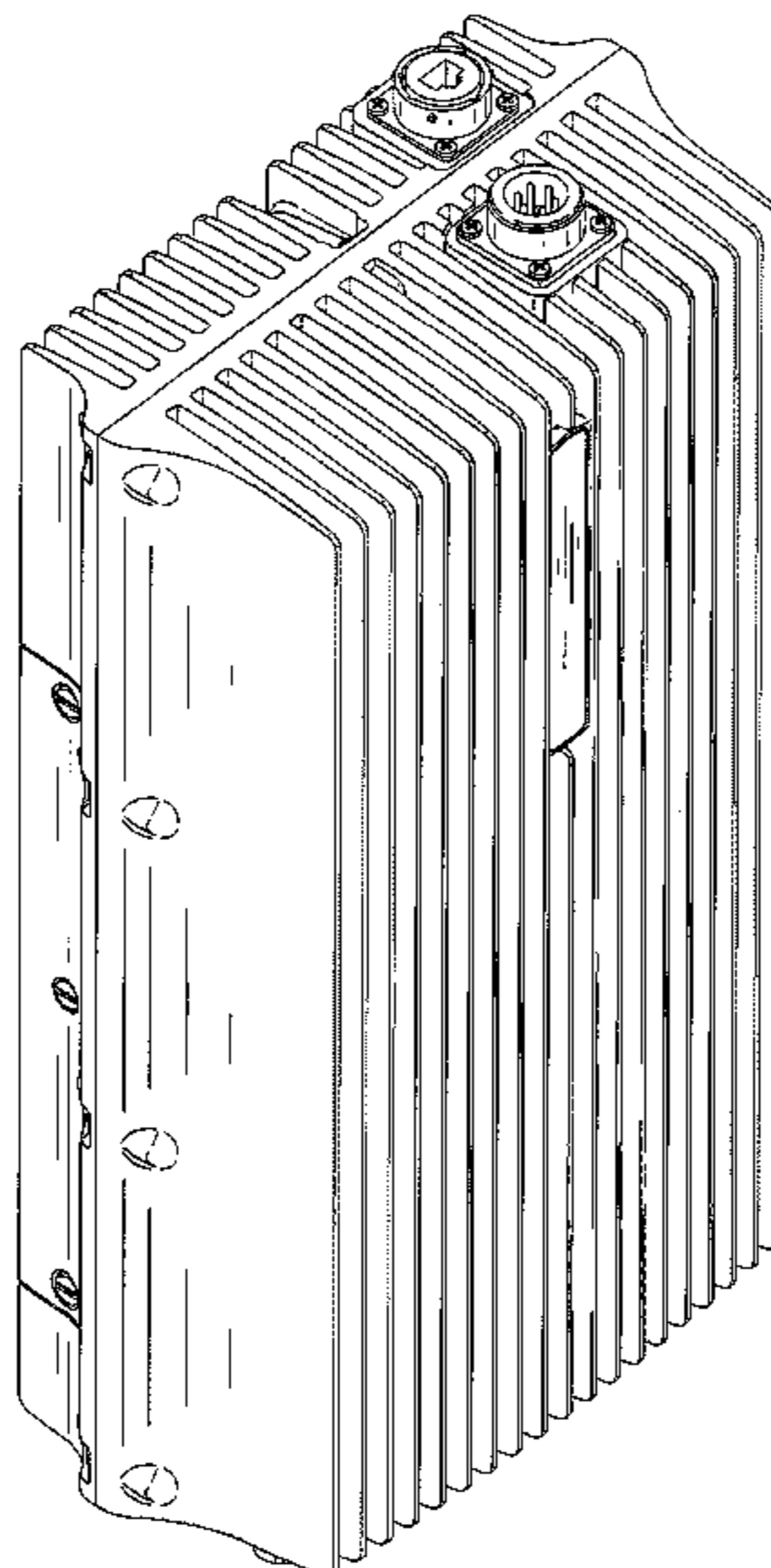
(57) **CLAIM**

The ornamental design for a base station, as shown and described.

DESCRIPTION

FIG. 1 is a perspective view of top, front and left side of a base station showing our new design;
FIG. 2 is a front view thereof;
FIG. 3 is a rear view thereof;
FIG. 4 is a left side view thereof;
FIG. 5 is a right side view thereof;
FIG. 6 is a top plan view thereof; and,
FIG. 7 is a bottom view thereof.

1 Claim, 5 Drawing Sheets



OTHER PUBLICATIONS

Alcatel-Lucent (Wimax); Date of publication: unknown.

JRC (Wimax), Home page address: http://jrc.co.jp/jp/product/wimax/htms/base_st_spc.html; Date of Publication Feb. 27, 2008.

Mitsubishi Electric (Wimax); Home page address: <http://k-tai.impress.co.jp/cda/article/event/42056.html>; Date of publication Oct. 1, 2008.

Ericsson (LTE); Home page address: http://www.ericsson.com/jp/ericsson/pr/2009/05/20090525_teliasonera.shtml; Date of publication Feb. 16, 2009.

Huawei (LTE); Home page <http://www.huawei.com/jp/catalog.do?id=842>; Date of publication Unknown.

Fujitsu (Wimax), Home page address: <http://pr.fujitsu.com/jp/news/2008/02/6-1.html>; Date of publication: Feb. 6, 2008.

* cited by examiner

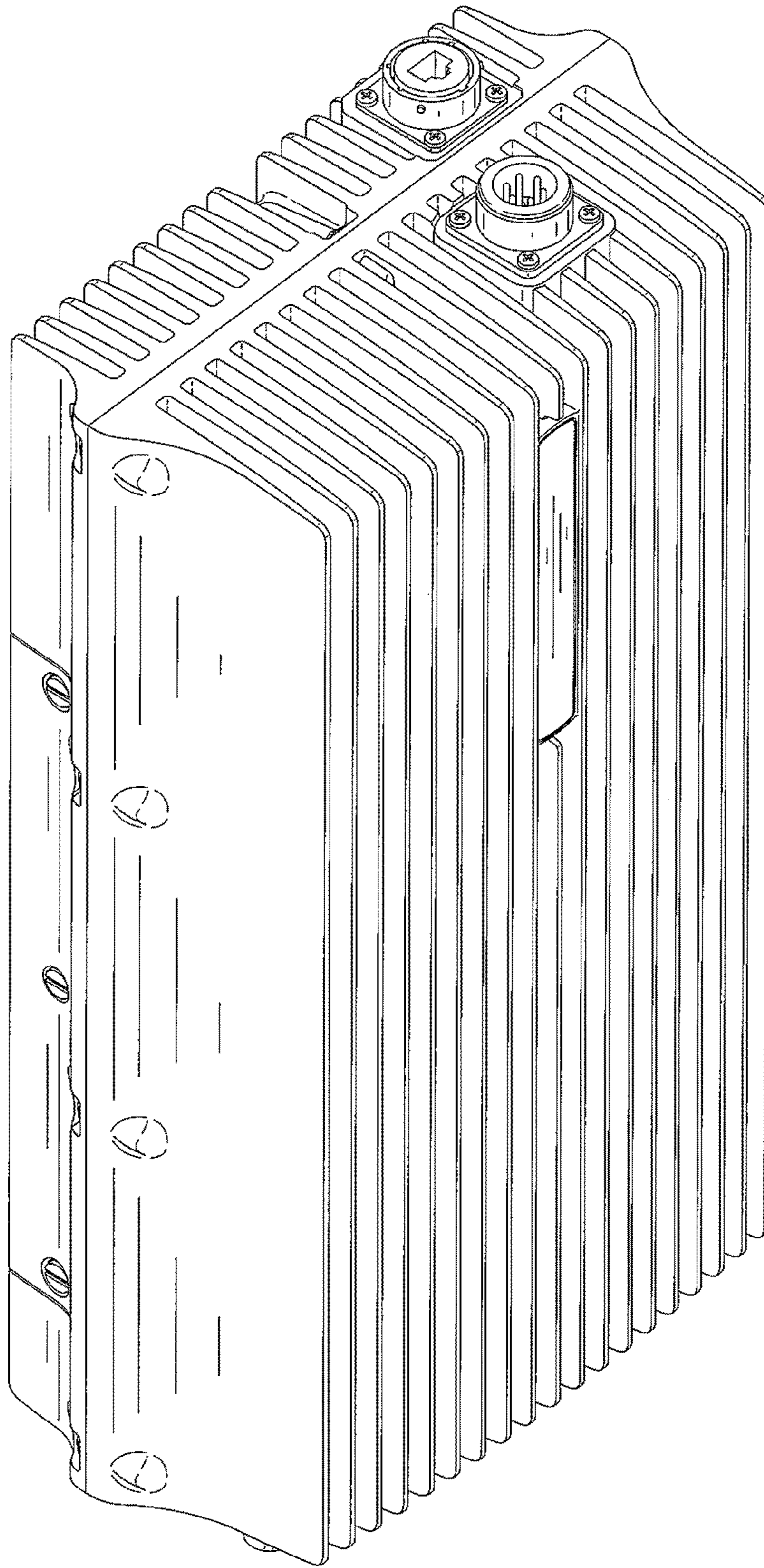


FIG. 1

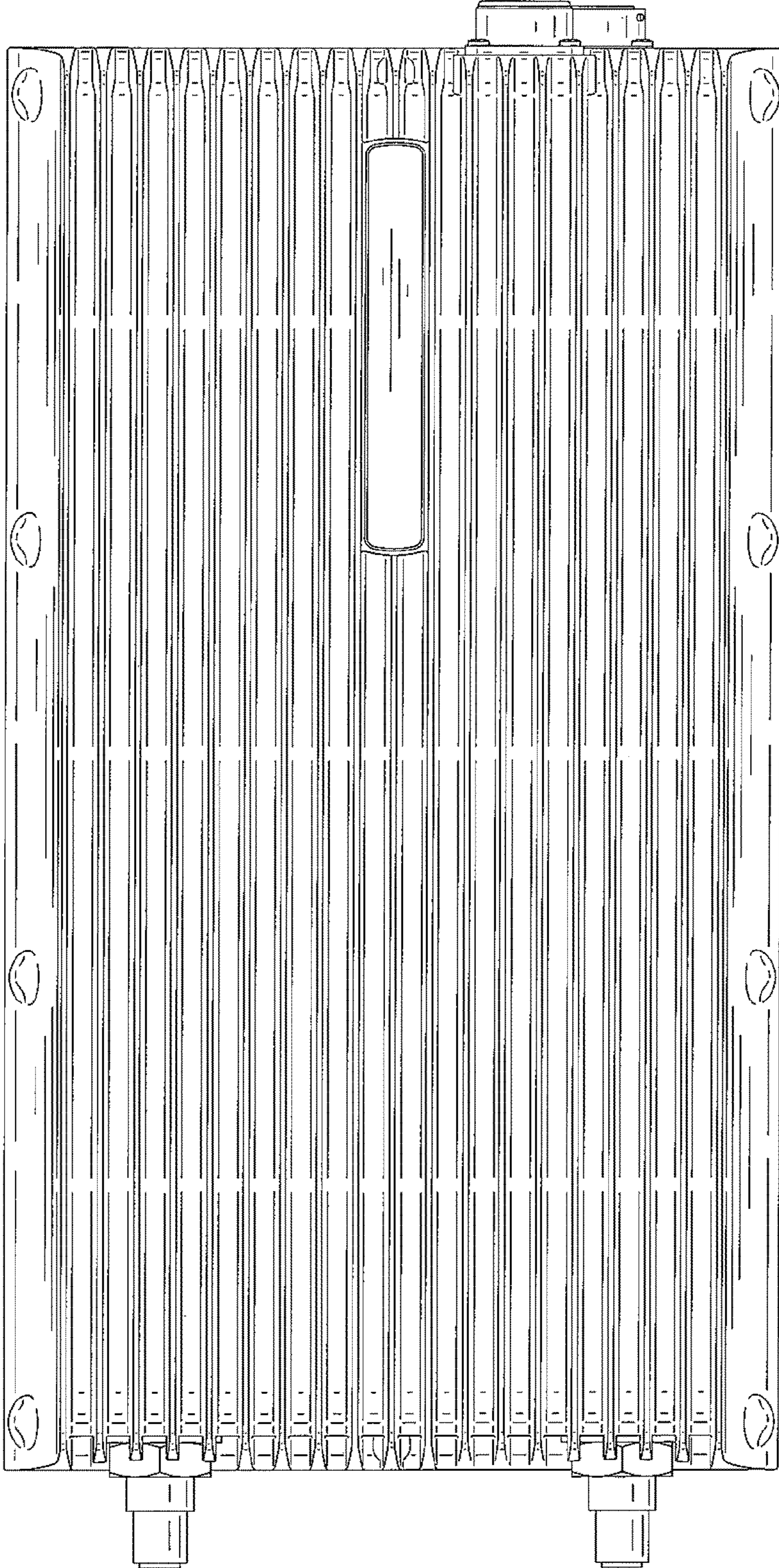


FIG. 2

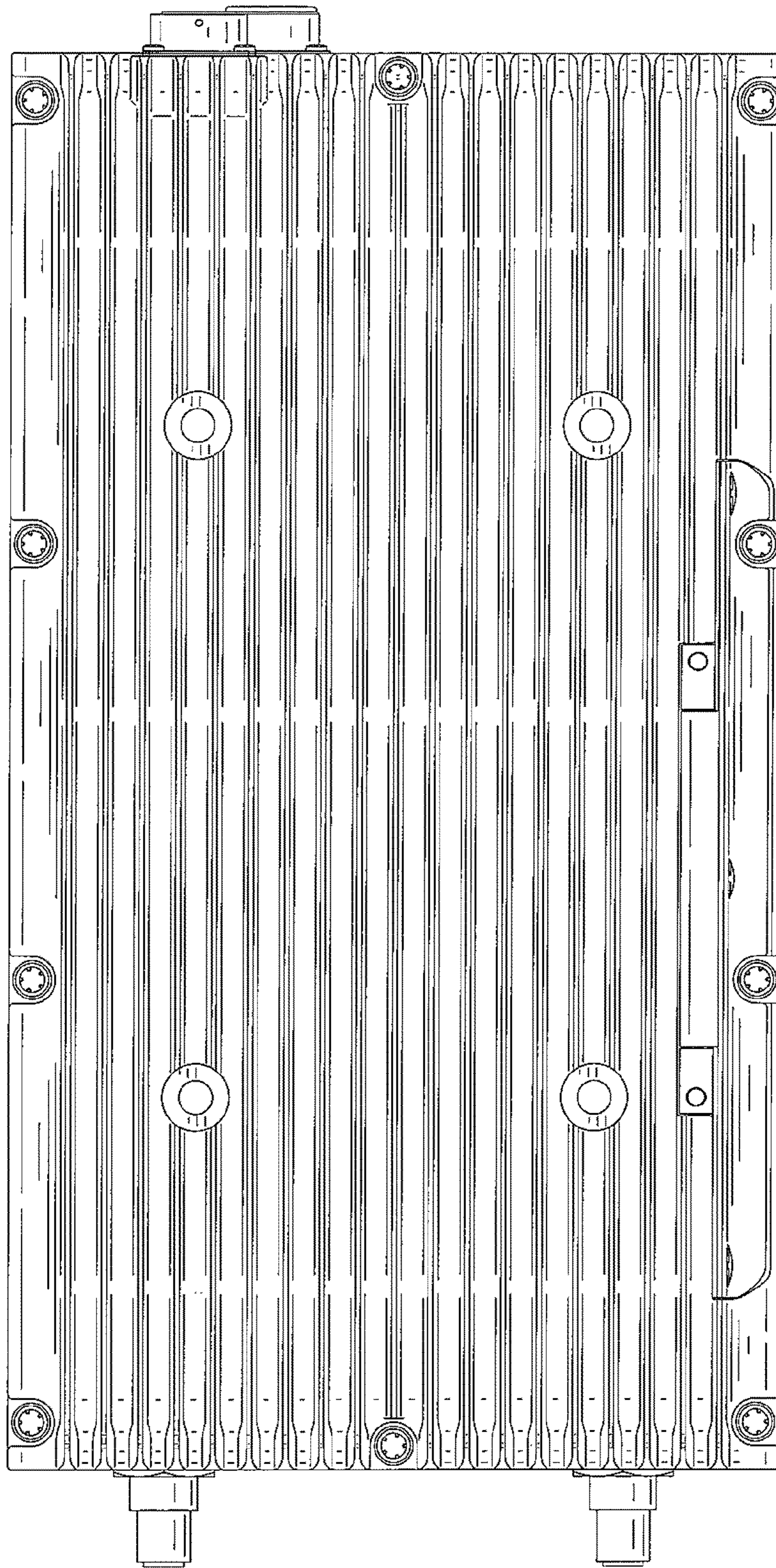


FIG. 3

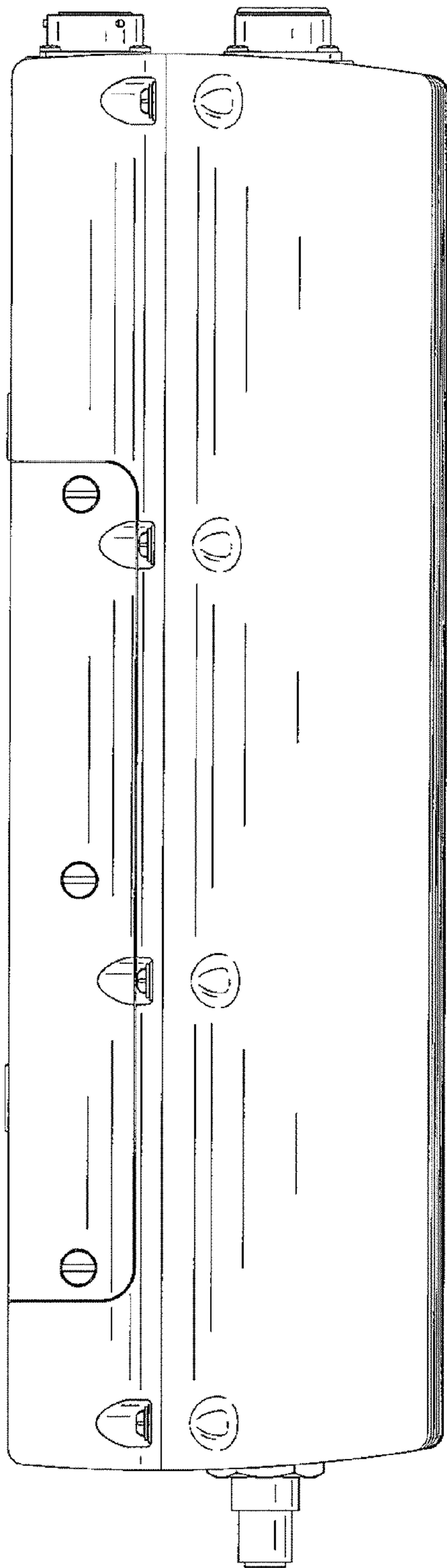


FIG. 4

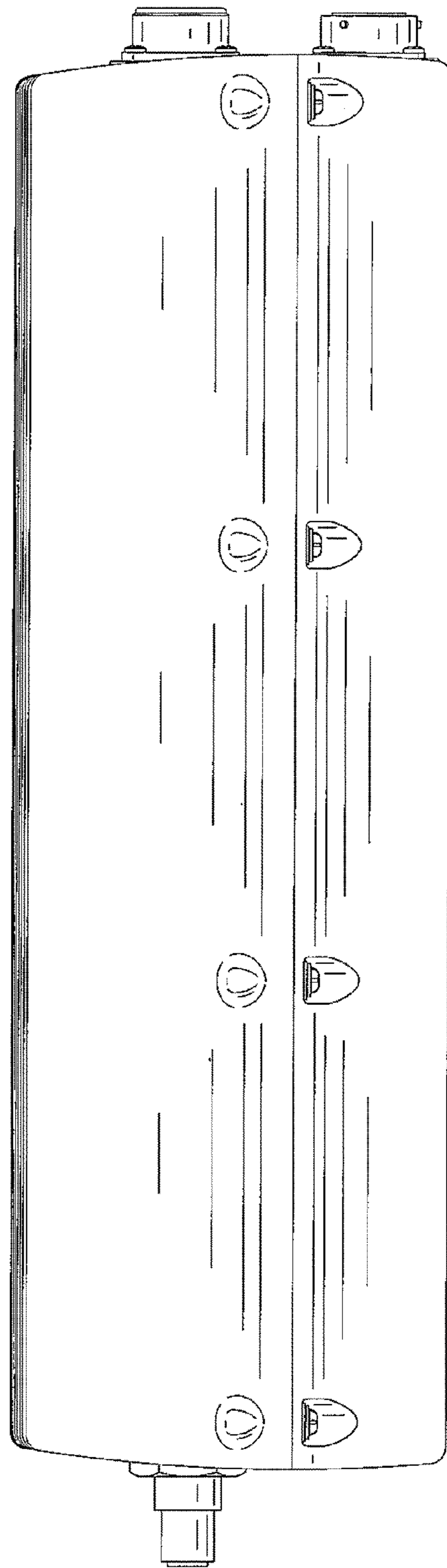


FIG. 5

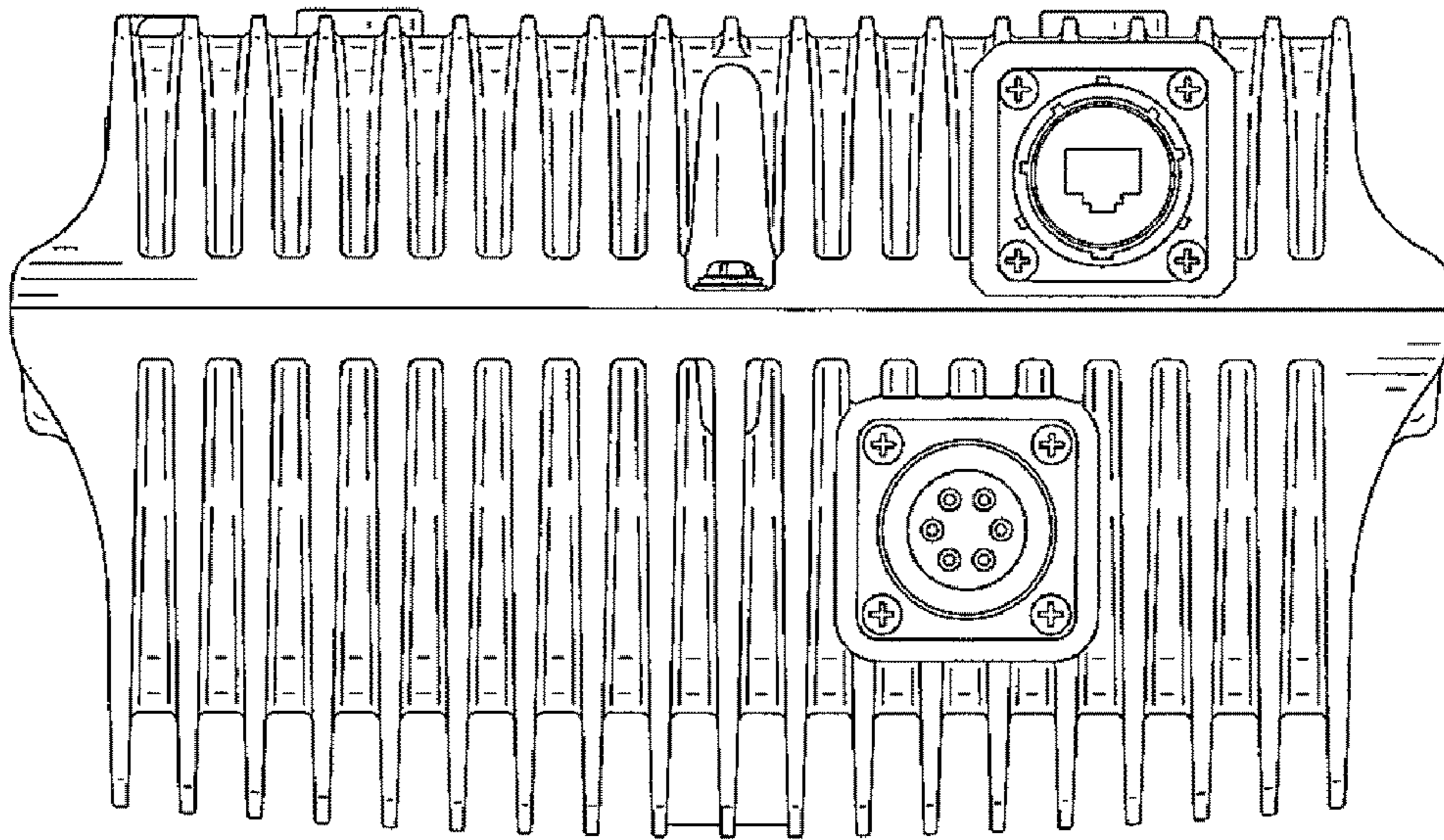


FIG. 6

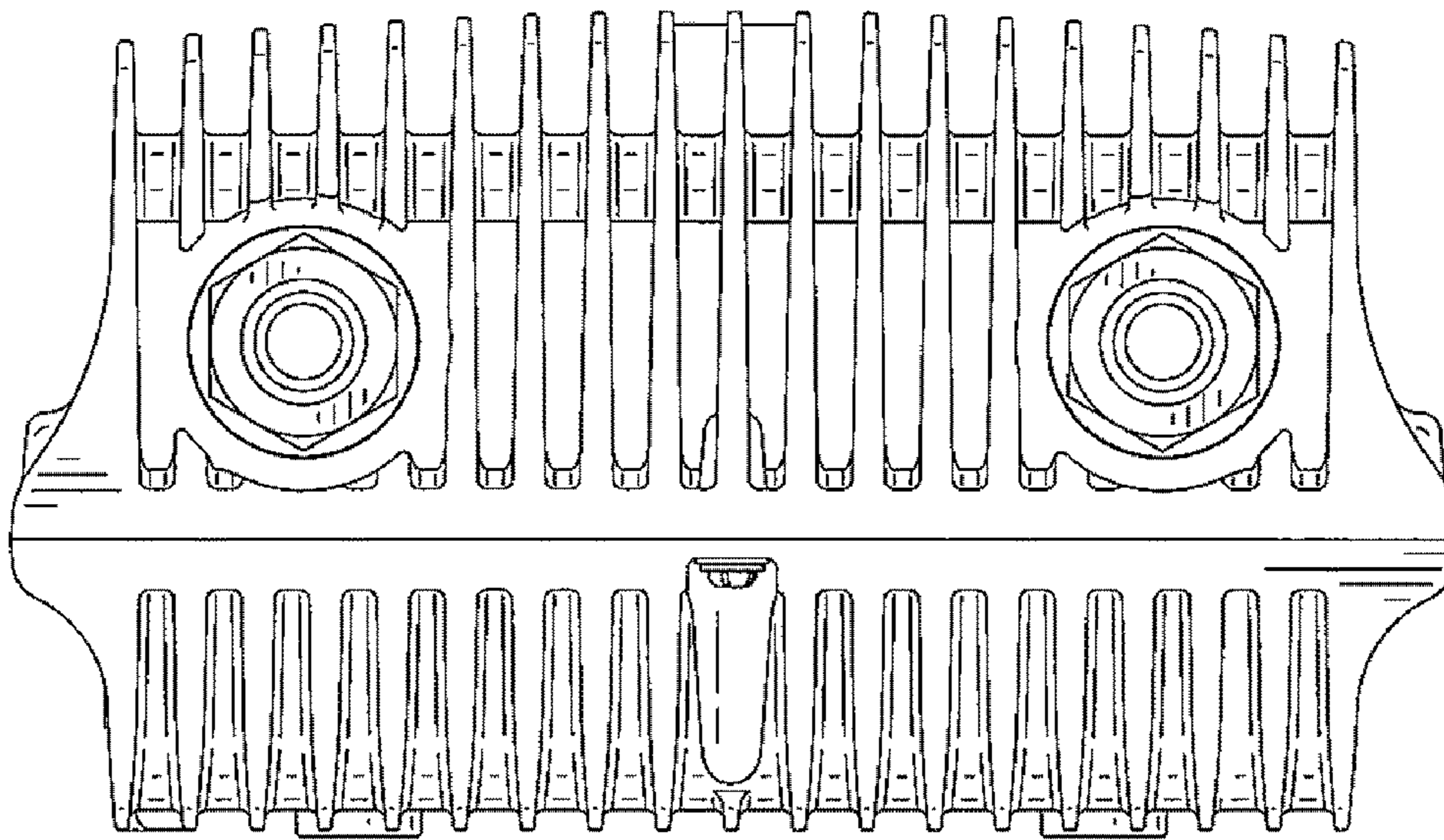


FIG. 7