



US00D651199S

(12) **United States Design Patent**  
**Huang**

(10) **Patent No.:** **US D651,199 S**

(45) **Date of Patent:** **\*\* Dec. 27, 2011**

(54) **DISPLAY WALL MOUNT**

(76) Inventor: **Ming-Hsien Huang**, New Taipei (TW)

(\*\*) Term: **14 Years**

(21) Appl. No.: **29/388,376**

(22) Filed: **Mar. 29, 2011**

(51) **LOC (9) Cl.** ..... **14-03**

(52) **U.S. Cl.** ..... **D14/239**

(58) **Field of Classification Search** ..... D14/125-134,  
D14/239, 371, 136, 374-377; D8/363, 373,  
D8/349, 394; 248/465, 917-924, 123.11;  
348/825, 827, 836, 837, 838, 180, 184, 325,  
348/739; 600/443; D6/477-479, 407, 474,  
D6/460, 461, 468; 312/7.2; 341/12; 345/87,  
345/104, 133, 156, 168, 169, 173; 720/605,  
720/669, 600, 655; 369/99, 197; 455/344-347;  
349/1, 2, 11, 62; 108/59, 91, 92, 96; 211/40,  
211/41.12, 42, 49.1, 50, 85.2, 90.04, 187,  
211/190, 119.003, 134.15, 3, 87.01, 71.01  
See application file for complete search history.

(56) **References Cited**

**U.S. PATENT DOCUMENTS**

D507,477 S \* 7/2005 Pfister ..... D8/363  
D539,127 S \* 3/2007 Hau et al. .... D8/373

D556,205 S \* 11/2007 Wohlford et al. .... D14/452  
D603,852 S \* 11/2009 Le ..... D14/239  
D605,185 S \* 12/2009 Russell et al. .... D14/239  
D606,522 S \* 12/2009 Le ..... D14/239  
D621,820 S \* 8/2010 Liang ..... D14/239  
D627,787 S \* 11/2010 Grey et al. .... D14/452  
7,823,849 B2 \* 11/2010 Dittmer et al. .... 248/278.1  
2004/0159757 A1 \* 8/2004 Pfister ..... 248/284.1  
2006/0022102 A1 \* 2/2006 Dittmer ..... 248/276.1

\* cited by examiner

*Primary Examiner* — Raphael Barkai

*Assistant Examiner* — Randall Gholson

(74) *Attorney, Agent, or Firm* — Leong C. Lei

(57) **CLAIM**

The ornamental design for a display wall mount, as shown and described.

**DESCRIPTION**

FIG. 1 is a front perspective view of a display wall mount showing my new design;

FIG. 2 is a front elevational view thereof;

FIG. 3 is a rear elevational view thereof;

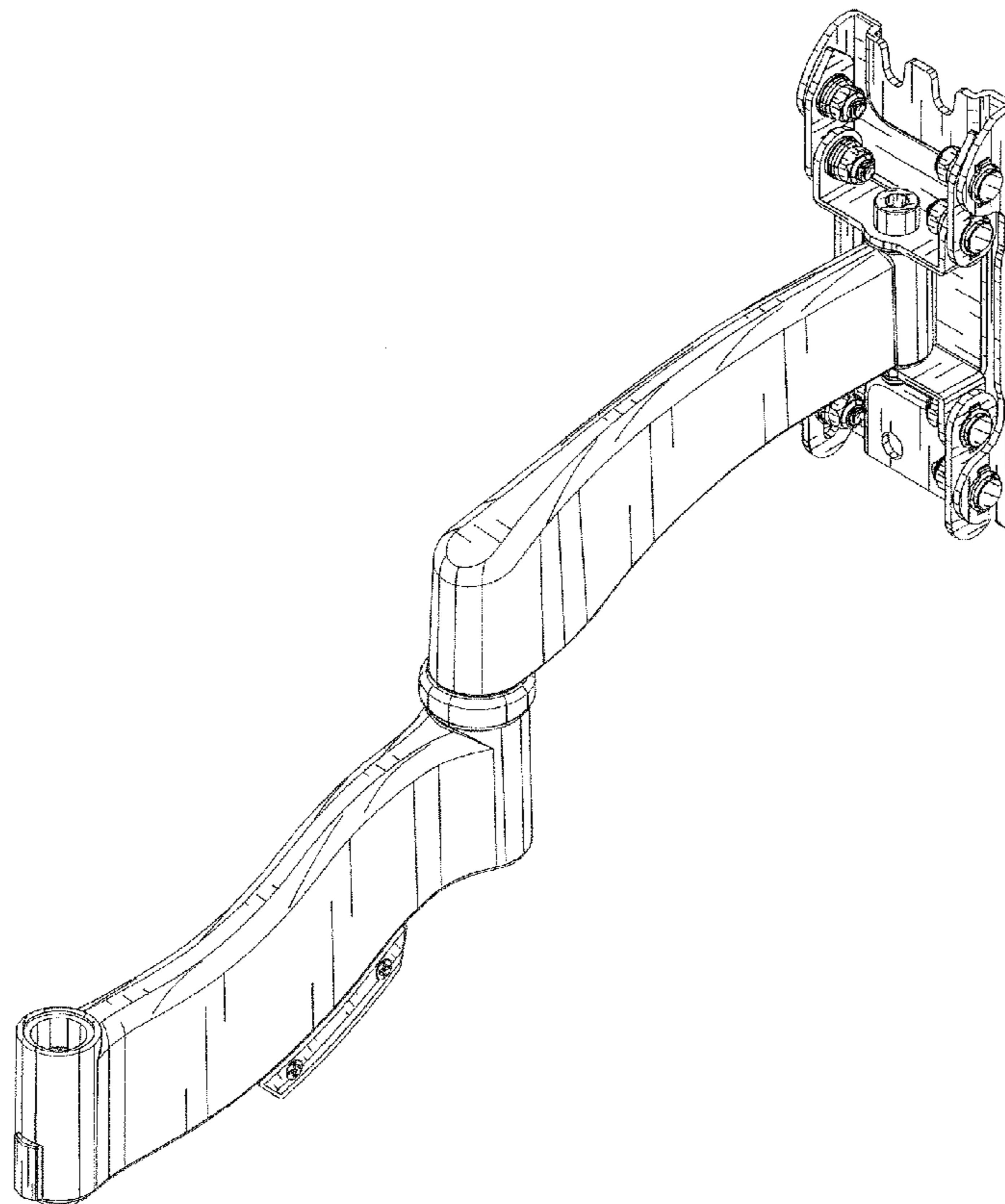
FIG. 4 is a left elevational view thereof;

FIG. 5 is a right elevational view thereof;

FIG. 6 is a top plan view thereof; and,

FIG. 7 is a bottom plan view thereof.

**1 Claim, 5 Drawing Sheets**



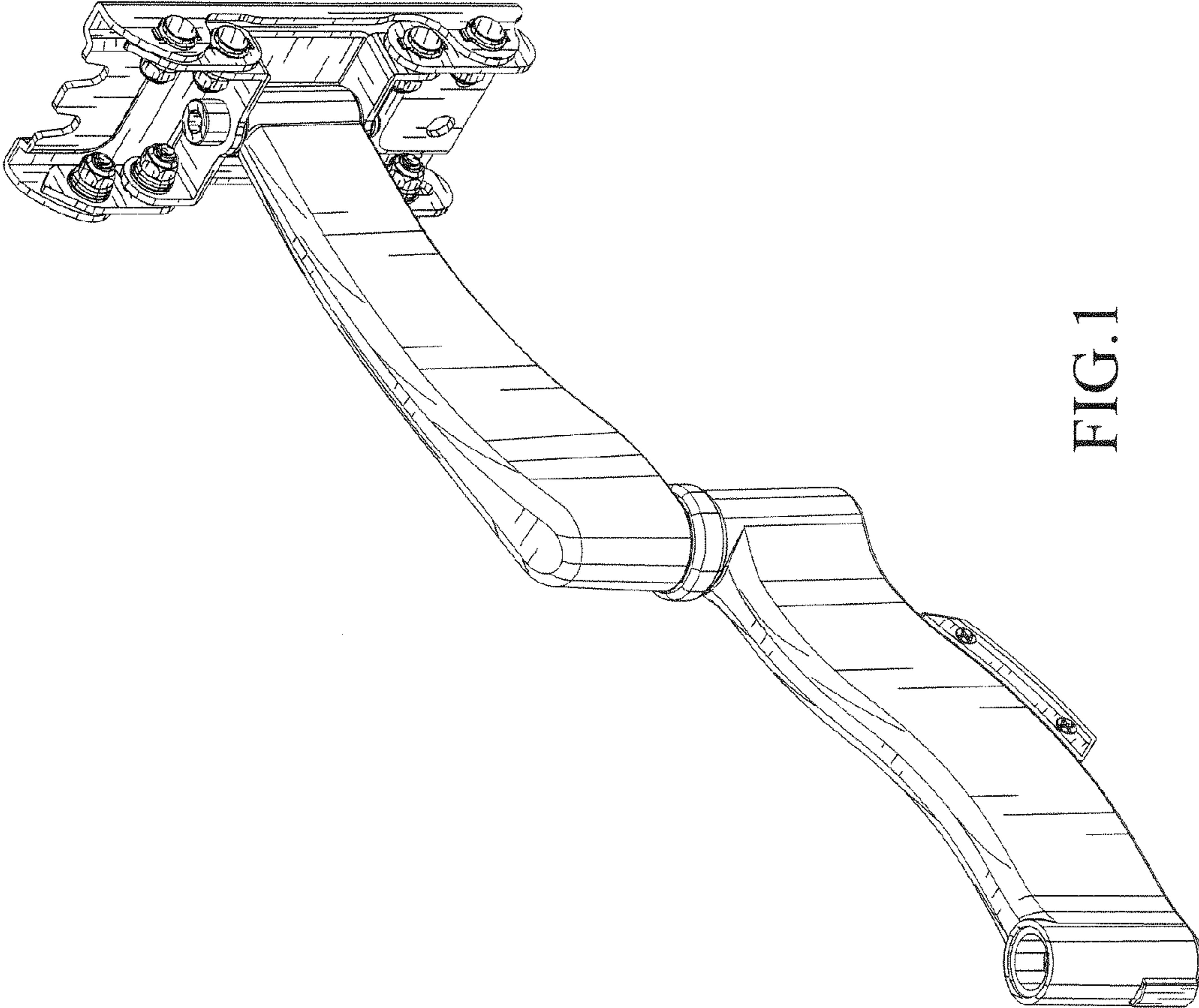


FIG.1

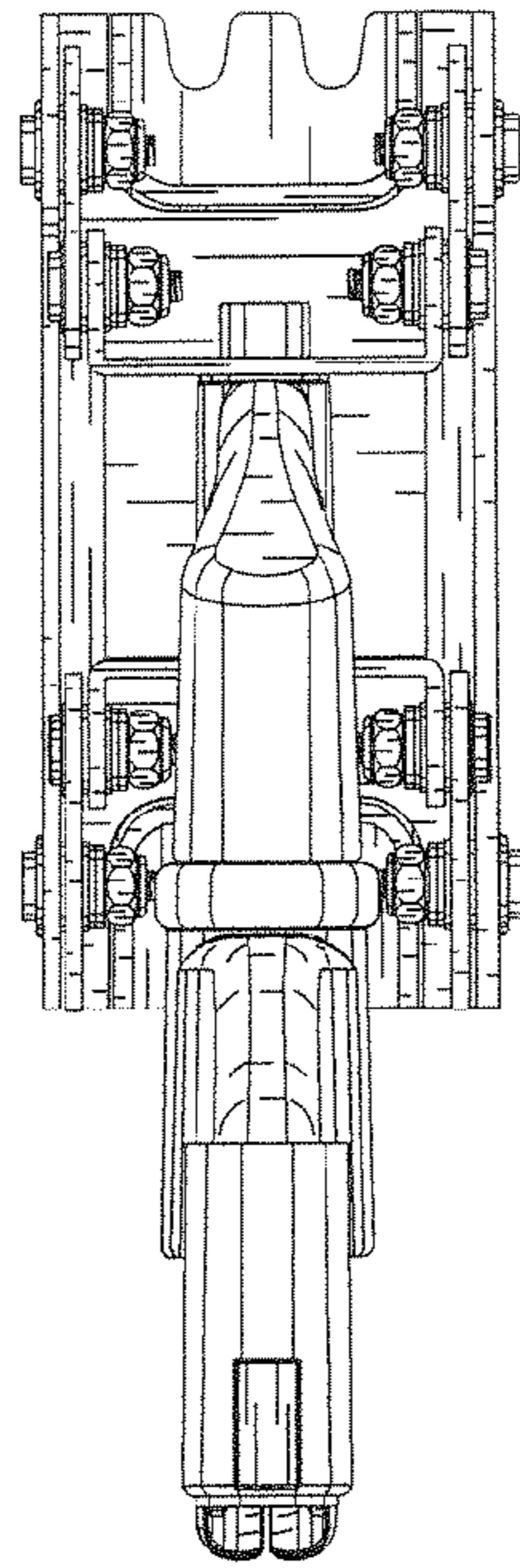


FIG. 2

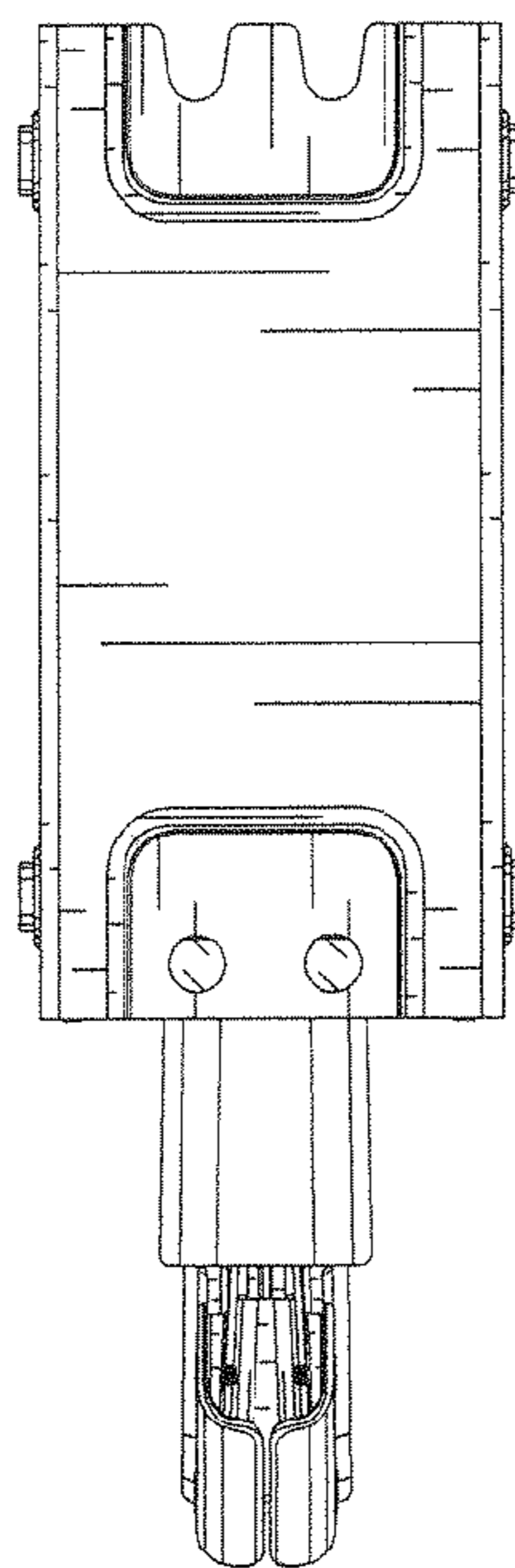


FIG. 3

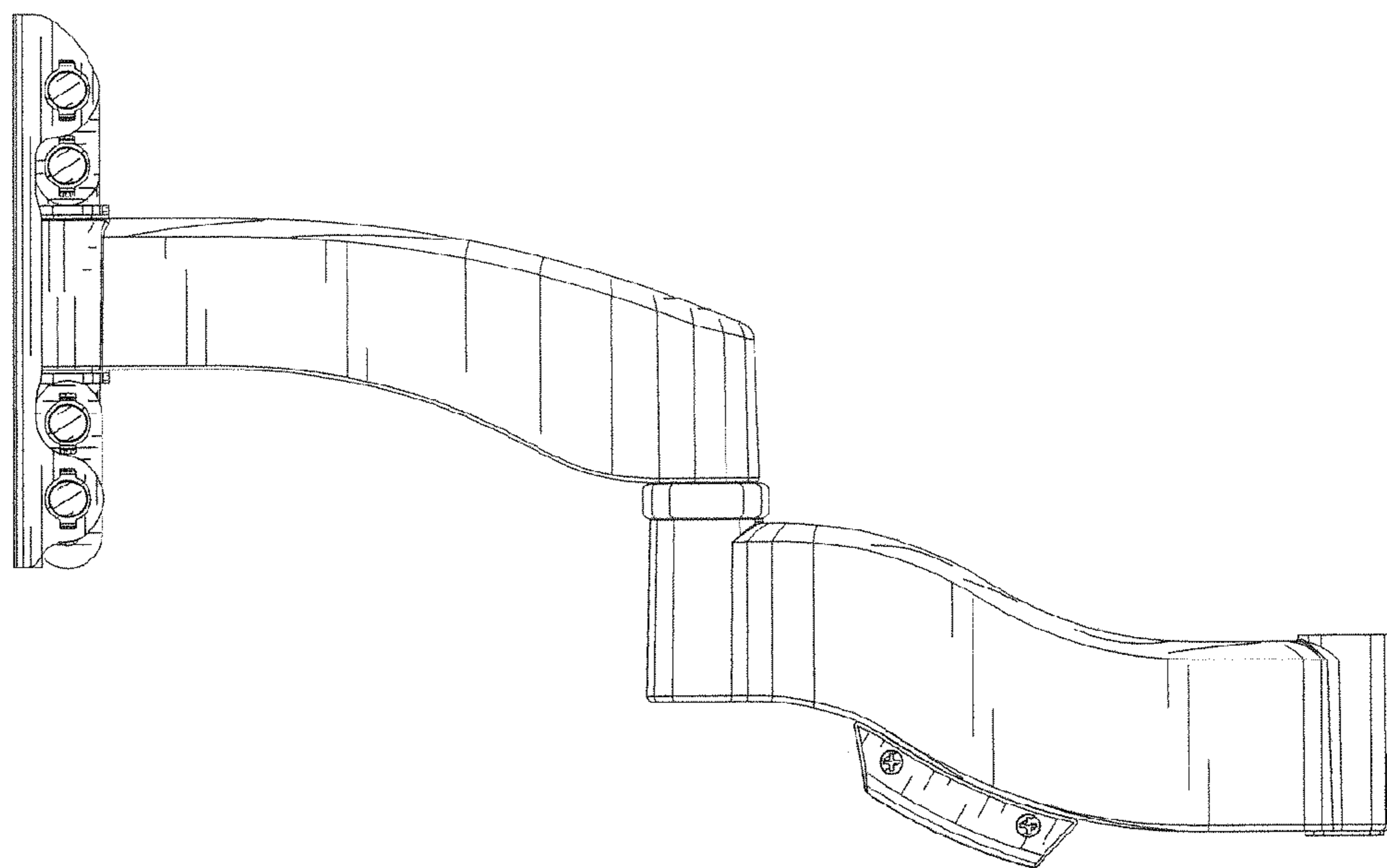


FIG. 4

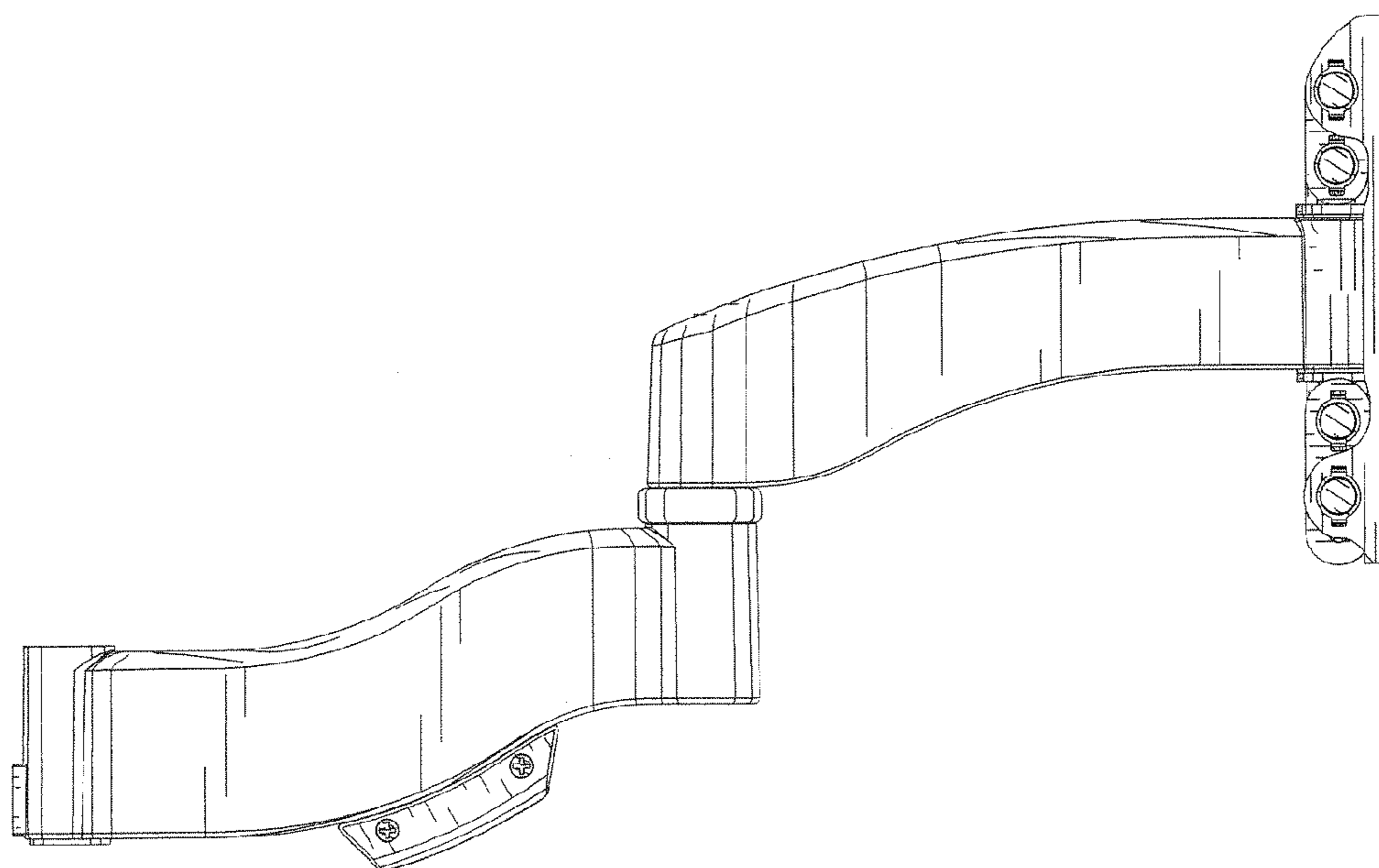


FIG. 5

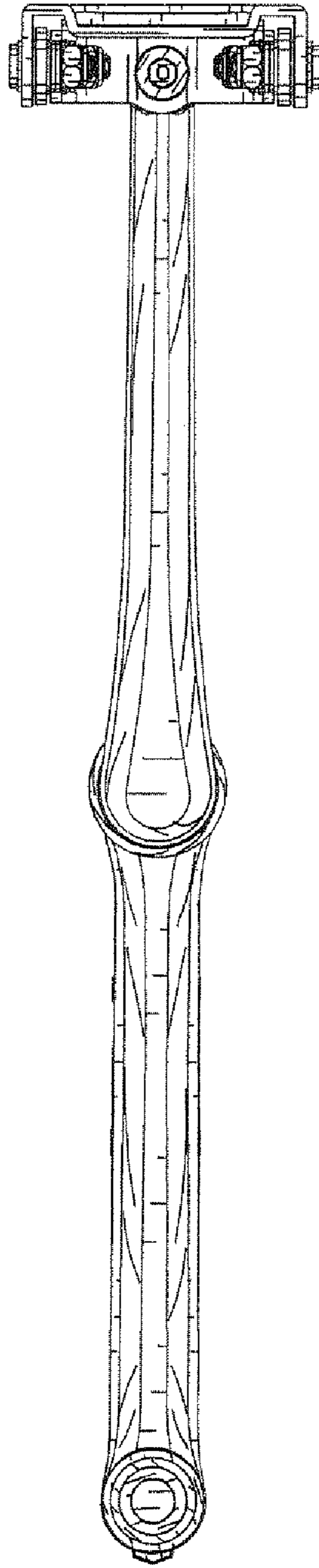


FIG.6

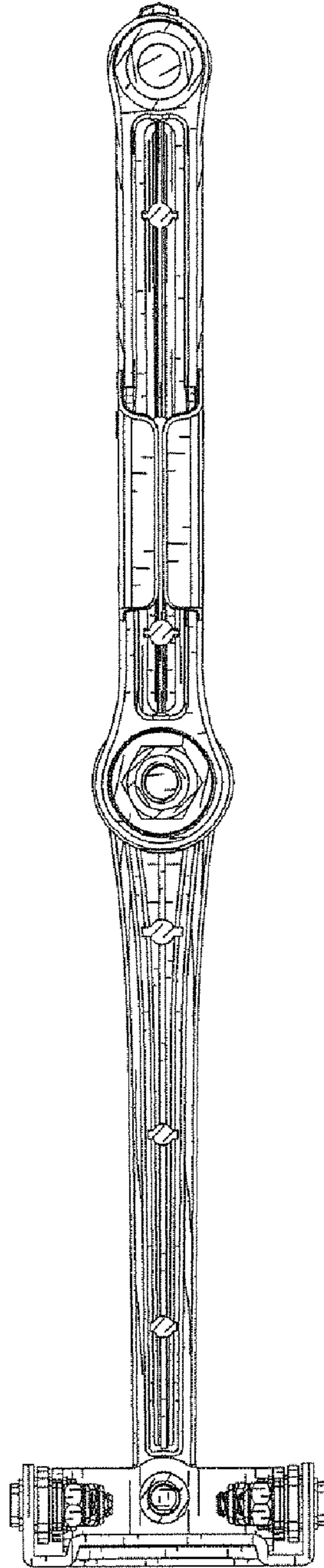


FIG. 7