

US00D651197S

(12) **United States Design Patent**
Birger

(10) **Patent No.:** **US D651,197 S**

(45) **Date of Patent:** **** Dec. 27, 2011**

(54) **HEADPHONES**

(75) Inventor: **Johan Birger**, Malmö (SE)

(73) Assignee: **GN Netcom A/S** (DK)

(**) Term: **14 Years**

(21) Appl. No.: **29/382,037**

(22) Filed: **Dec. 28, 2010**

(30) **Foreign Application Priority Data**

Jul. 22, 2010 (EM) 001734393-0001

(51) **LOC (9) Cl.** **14-01**

(52) **U.S. Cl.** **D14/223**

(58) **Field of Classification Search** D14/205,
D14/206, 223; 181/129, 130, 135; 381/330,
381/375, 380, 381; 379/430, 431; 455/90.3,
455/575.2

See application file for complete search history.

(56) **References Cited**

U.S. PATENT DOCUMENTS

6,009,183	A	*	12/1999	Taenzler et al.	381/330
D445,415	S	*	7/2001	Jaakkola	D14/223
D469,081	S		1/2003	Perszyk et al.		
D470,121	S	*	2/2003	Nguyen et al.	D14/205
D490,398	S	*	5/2004	Gwee	D14/205
D498,227	S	*	11/2004	Dyer et al.	D14/205
D500,999	S	*	1/2005	Dyer et al.	D14/223
D504,673	S	*	5/2005	Dyer et al.	D14/205
D506,462	S	*	6/2005	Han et al.	D14/205
D511,156	S	*	11/2005	Eroma et al.	D14/223

D516,216	S	*	2/2006	Portmann	D24/174
D517,054	S	*	3/2006	Yang	D14/223
D518,473	S	*	4/2006	Gwee	D14/205
D520,496	S	*	5/2006	Gwee	D14/223
D529,020	S	*	9/2006	Nazar	D14/205
D530,819	S	*	10/2006	Jurkiewicz et al.	D24/174
D541,787	S	*	5/2007	Ma	D14/205
D557,255	S	*	12/2007	Shintani	D14/206
D571,784	S	*	6/2008	Jensen et al.	D14/205
D572,234	S	*	7/2008	Reda et al.	D14/205
D584,719	S	*	1/2009	Brennwald	D14/223
D586,329	S	*	2/2009	Birger	D14/205
D617,778	S	*	6/2010	Birger	D14/223
D625,297	S	*	10/2010	Tseng et al.	D14/223
D636,762	S	*	4/2011	Hensen	D14/223
D639,787	S	*	6/2011	Quek	D14/223

* cited by examiner

Primary Examiner — Paula Greene

(74) *Attorney, Agent, or Firm* — Altera Law Group, LLC

(57) **CLAIM**

The ornamental design for a headphone, as shown and described.

DESCRIPTION

FIG. 1 is a side view of the headphones.

FIG. 2 is the other side view thereof.

FIG. 3 is a back view thereof.

FIG. 4 is a front view thereof.

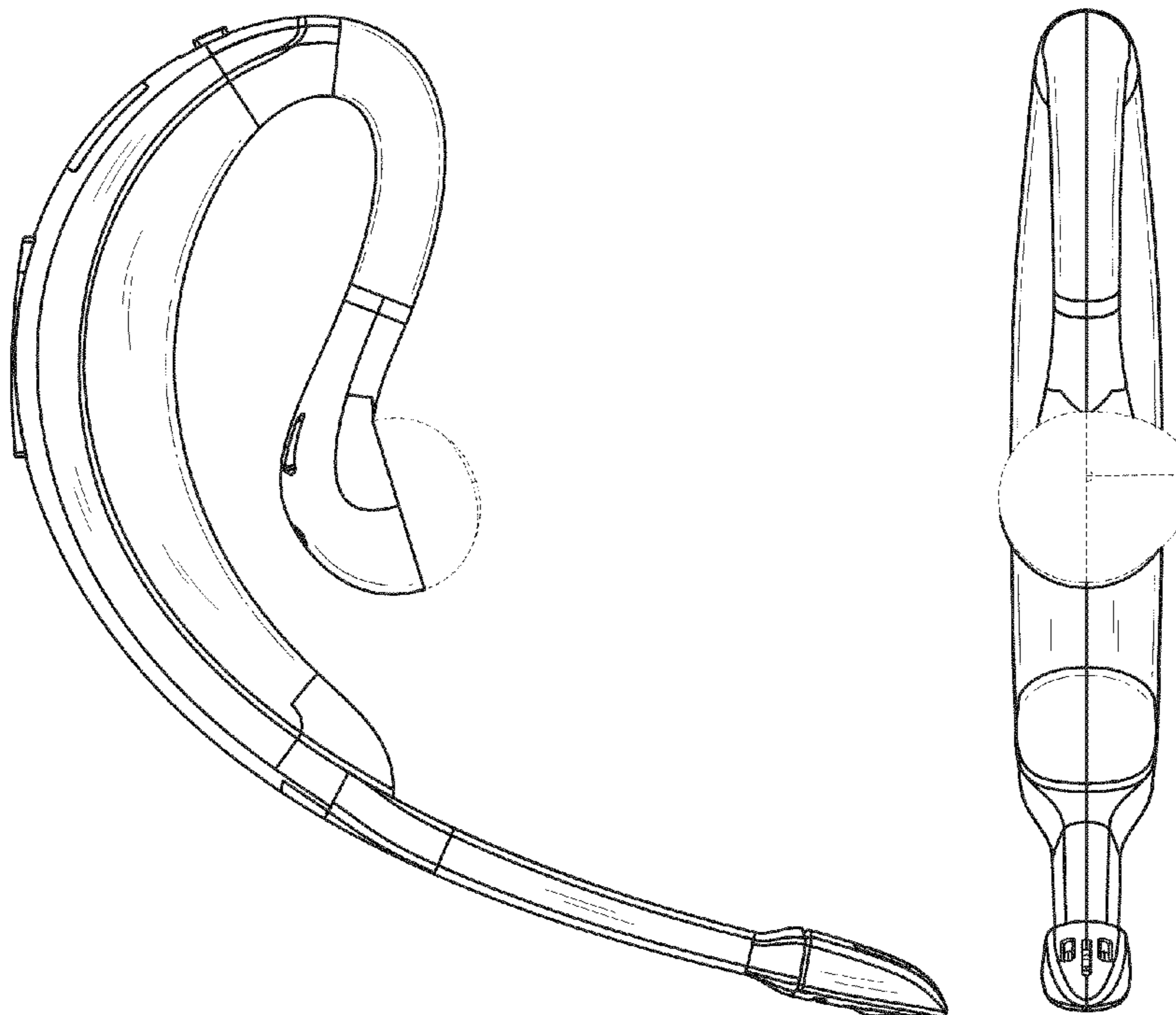
FIG. 5 is a bottom view thereof.

FIG. 6 is a top view thereof; and,

FIG. 7 is a perspective view thereof.

The broken lines showing the ear piece are for illustrative purposes only and form no part of the claimed design.

1 Claim, 7 Drawing Sheets



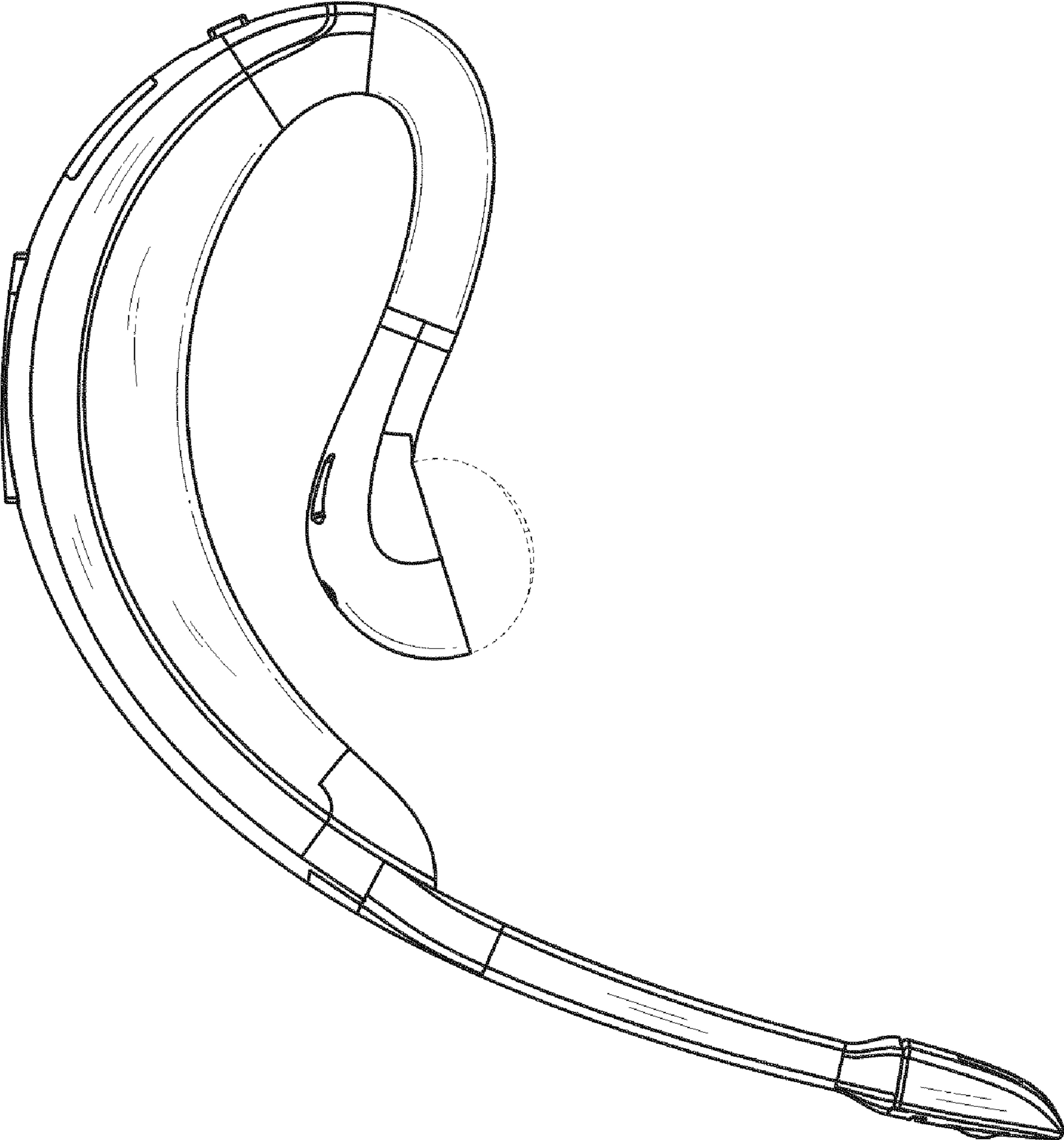


Fig. 1

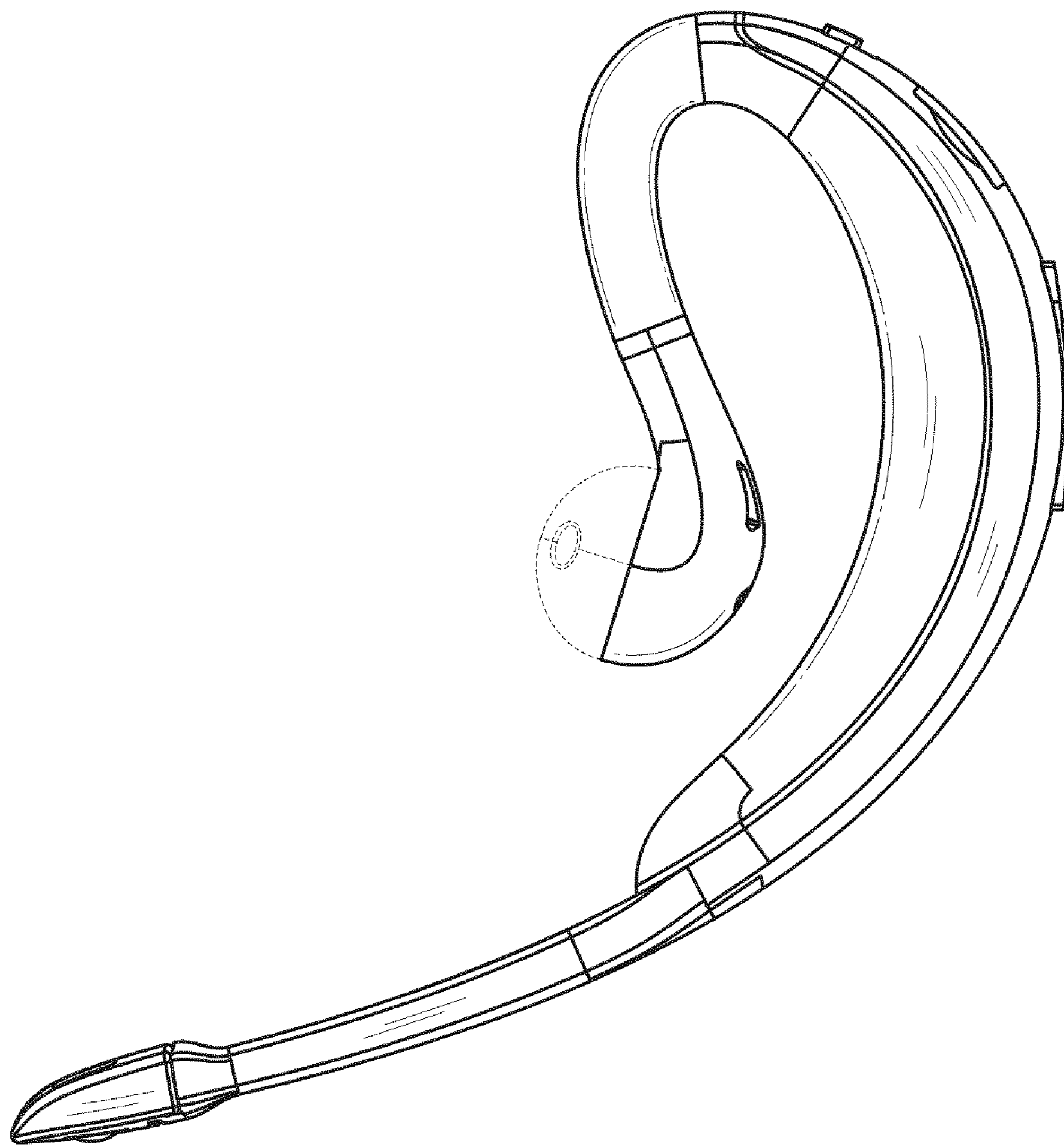


Fig. 2

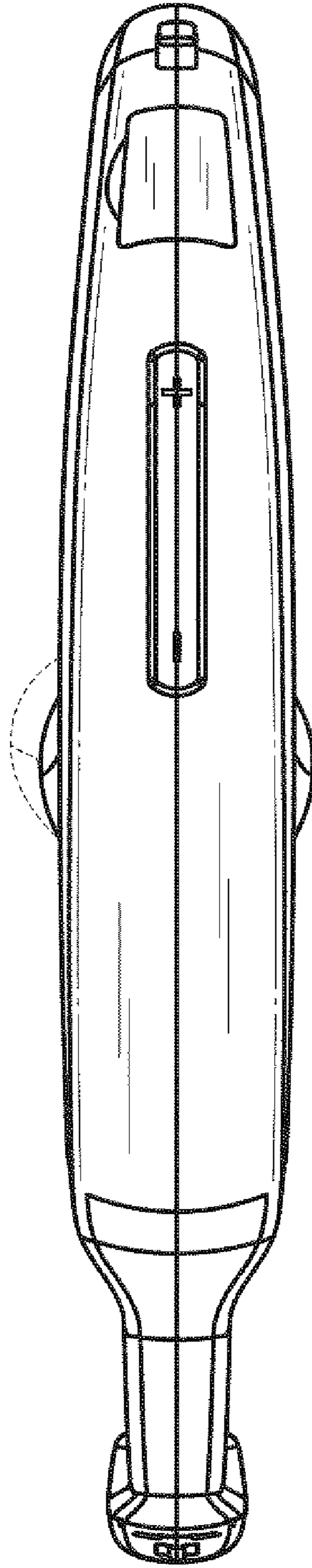


Fig. 3

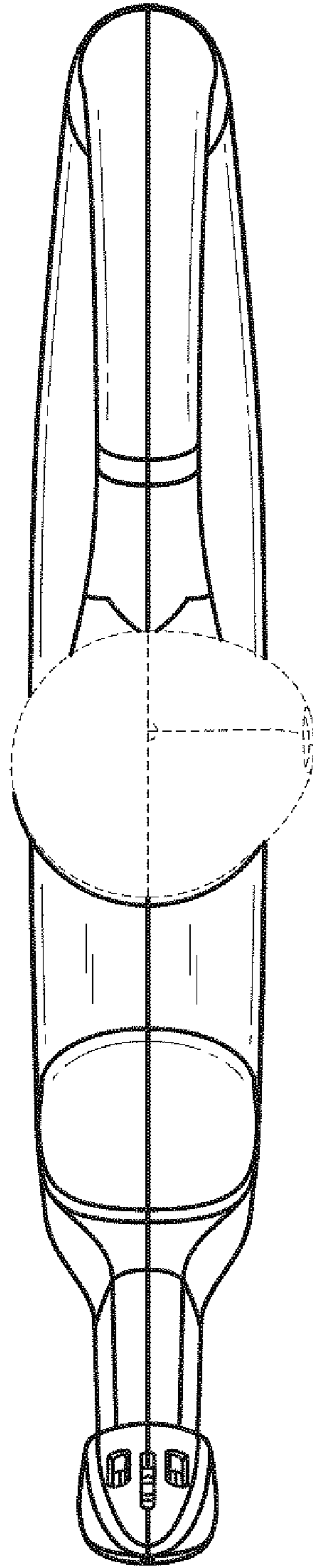


Fig. 4

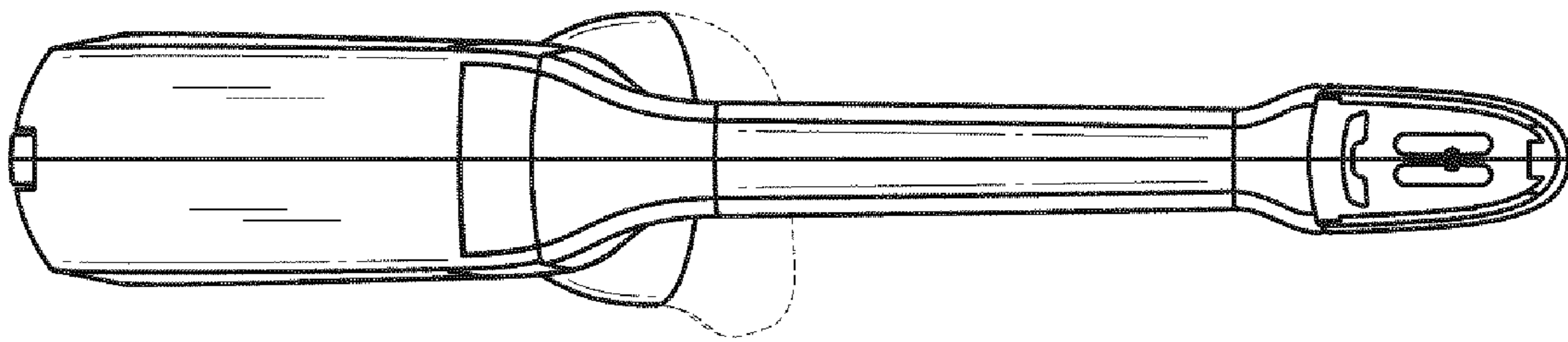


Fig. 5

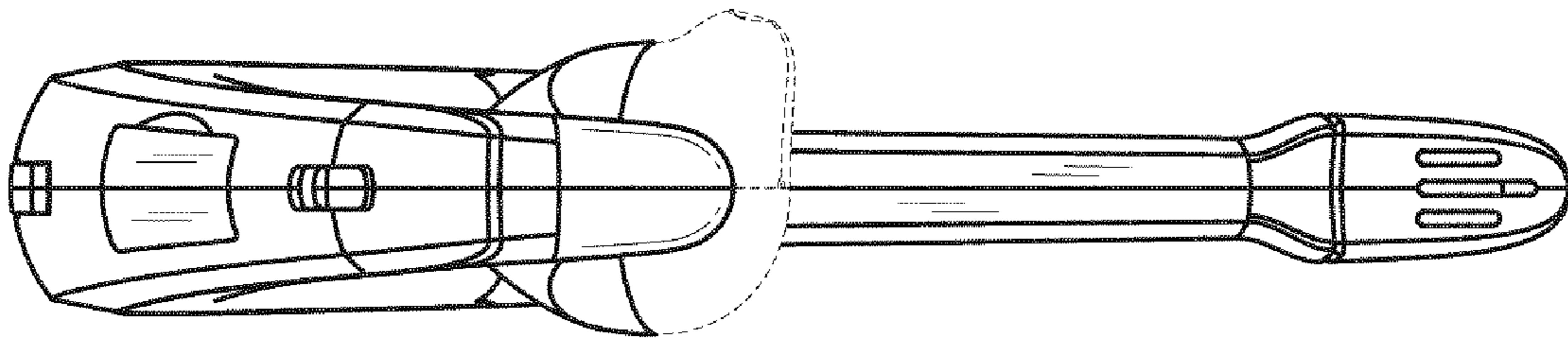


Fig. 6

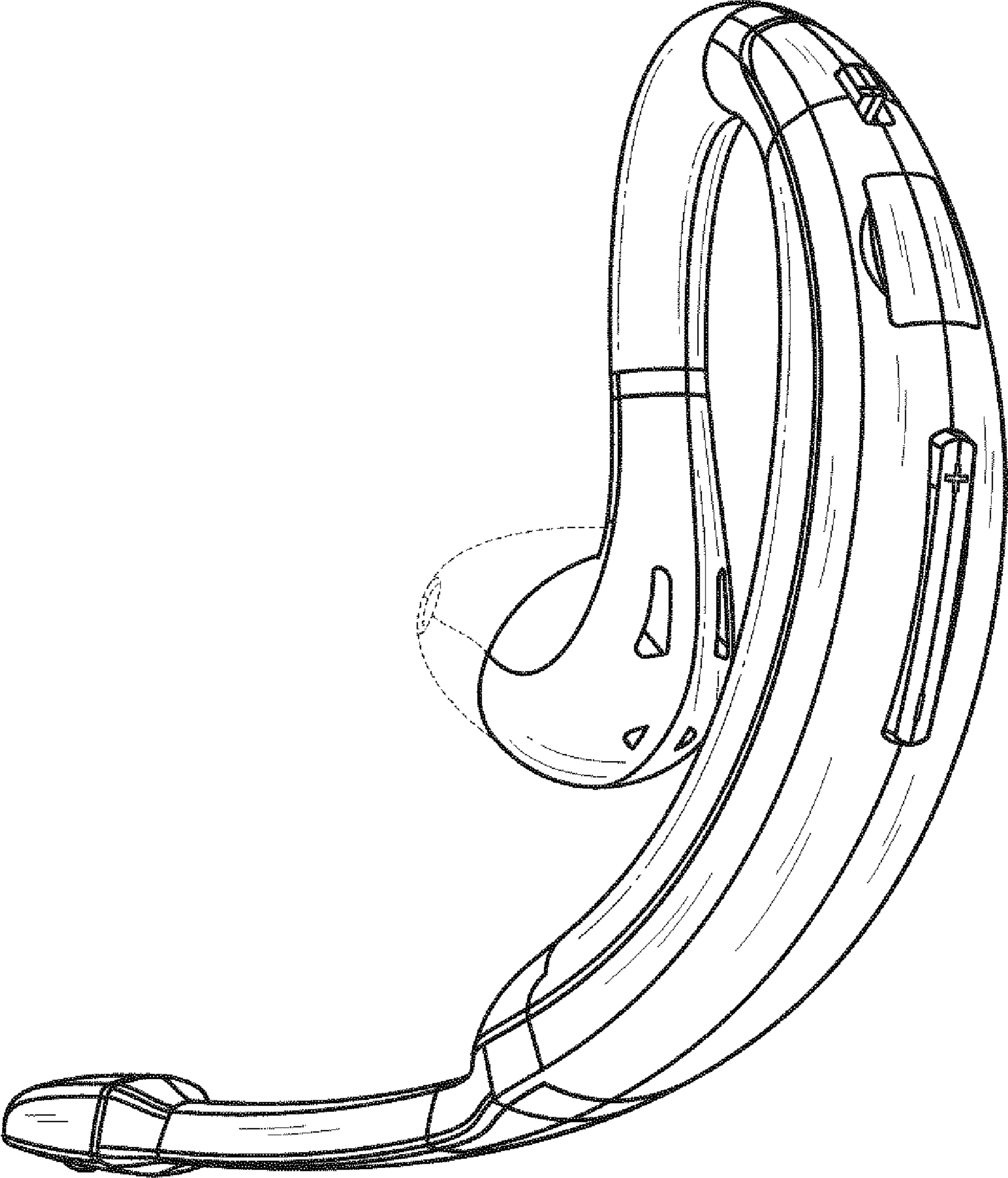


Fig. 7