



US00D651192S

(12) **United States Design Patent**  
**Timmer**

(10) **Patent No.:** **US D651,192 S**

(45) **Date of Patent:** **\*\* Dec. 27, 2011**

(54) **AUDIO CONFERENCING DEVICE**

(75) Inventor: **Remco Timmer**, Eindhoven (NL)

(73) Assignee: **Robert Bosch GmbH**, Stuttgart, DE  
(US)

(\*\*) Term: **14 Years**

(21) Appl. No.: **29/346,483**

(22) Filed: **Nov. 2, 2009**

(30) **Foreign Application Priority Data**

May 22, 2009 (EM) ..... 001139893

(51) **LOC (9) Cl.** ..... **14-03**

(52) **U.S. Cl.** ..... **D14/159**

(58) **Field of Classification Search** ..... D14/159,  
D14/149, 162, 130, 158, 142, 137; D13/177;  
713/182; 455/575.2, 569.1; 379/176, 167,  
379/156, 155; D20/19; D10/116.1

See application file for complete search history.

(56) **References Cited**

**U.S. PATENT DOCUMENTS**

D371,779 S \* 7/1996 Nowak et al. .... D14/137  
D371,784 S \* 7/1996 Gertz ..... D14/159  
D429,231 S \* 8/2000 Johnsson ..... D14/159  
D450,308 S \* 11/2001 Benders ..... D14/159

D493,441 S \* 7/2004 Sabick et al. .... D14/149  
D494,152 S \* 8/2004 Sabick et al. .... D14/149  
D521,489 S \* 5/2006 Farnsworth et al. .... D14/159  
D528,534 S \* 9/2006 Farnsworth et al. .... D14/159  
7,103,392 B2 \* 9/2006 Fletcher et al. .... 455/569.1  
D534,151 S \* 12/2006 Marquez ..... D14/158  
D552,073 S \* 10/2007 Marquez ..... D14/159

\* cited by examiner

*Primary Examiner* — Austin Murphy

(74) *Attorney, Agent, or Firm* — Maginot, Moore & Beck

(57) **CLAIM**

The ornamental design for the audio conferencing device, as shown and described.

**DESCRIPTION**

FIG. 1 is a rear right perspective view of the audio conferencing device;

FIG. 2 is a right elevational view thereof;

FIG. 3 is a left elevational view thereof;

FIG. 4 is a rear elevational view thereof;

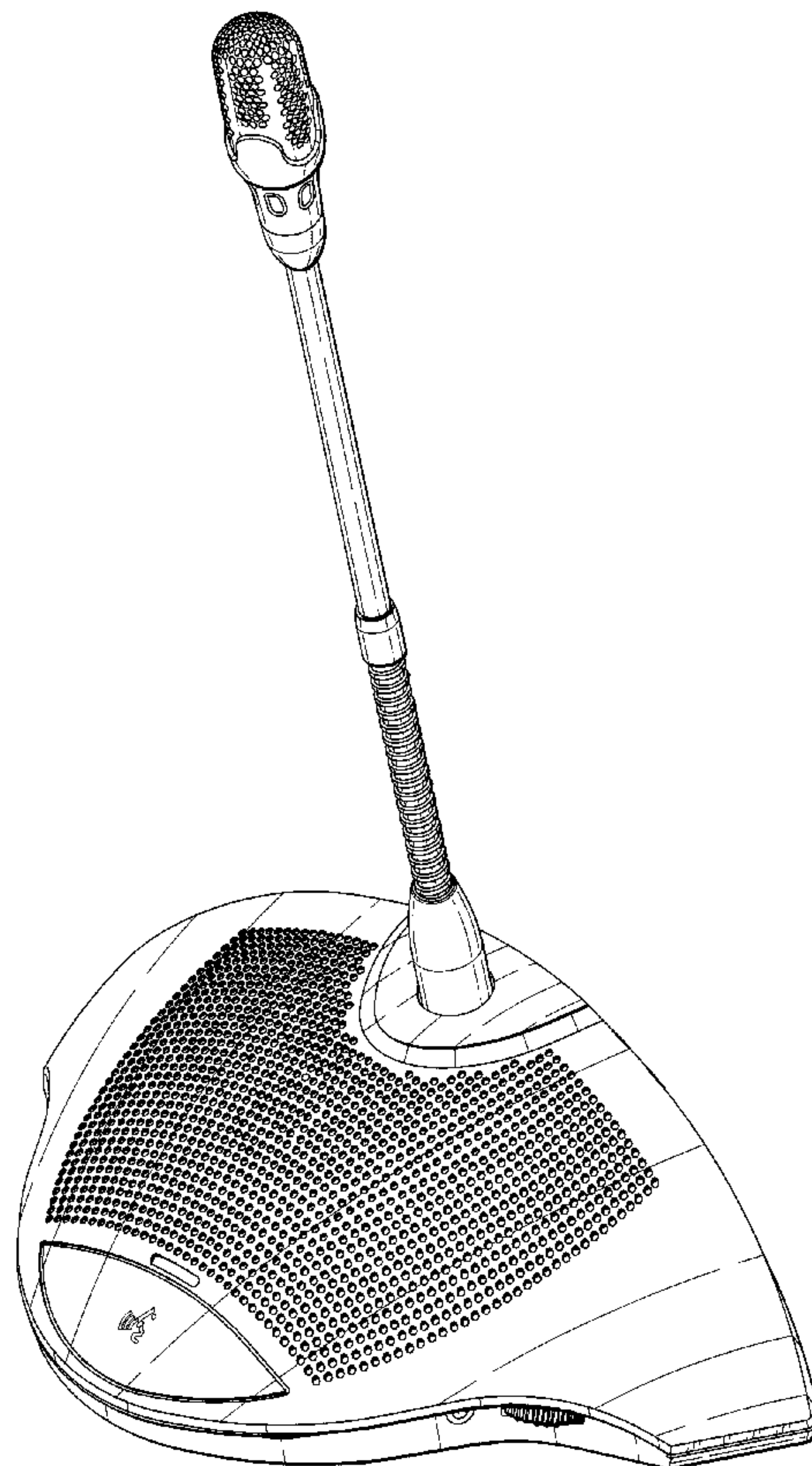
FIG. 5 is a front elevational view thereof;

FIG. 6 is a top plan view thereof; and,

FIG. 7 is a bottom plan view thereof.

The broken lines shown in the drawings represent portions of the audio conferencing device that form no part of the claimed design.

**1 Claim, 6 Drawing Sheets**



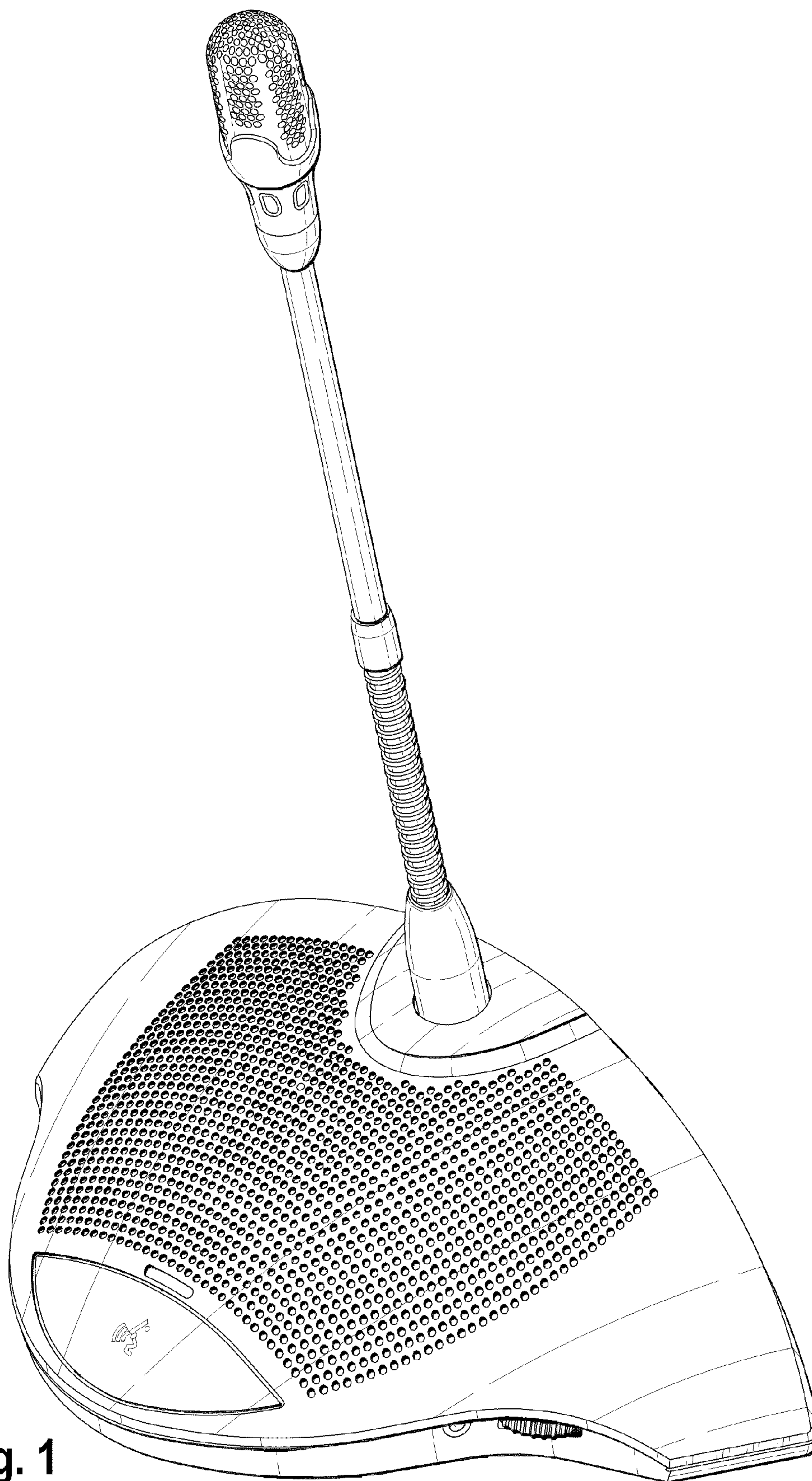


Fig. 1

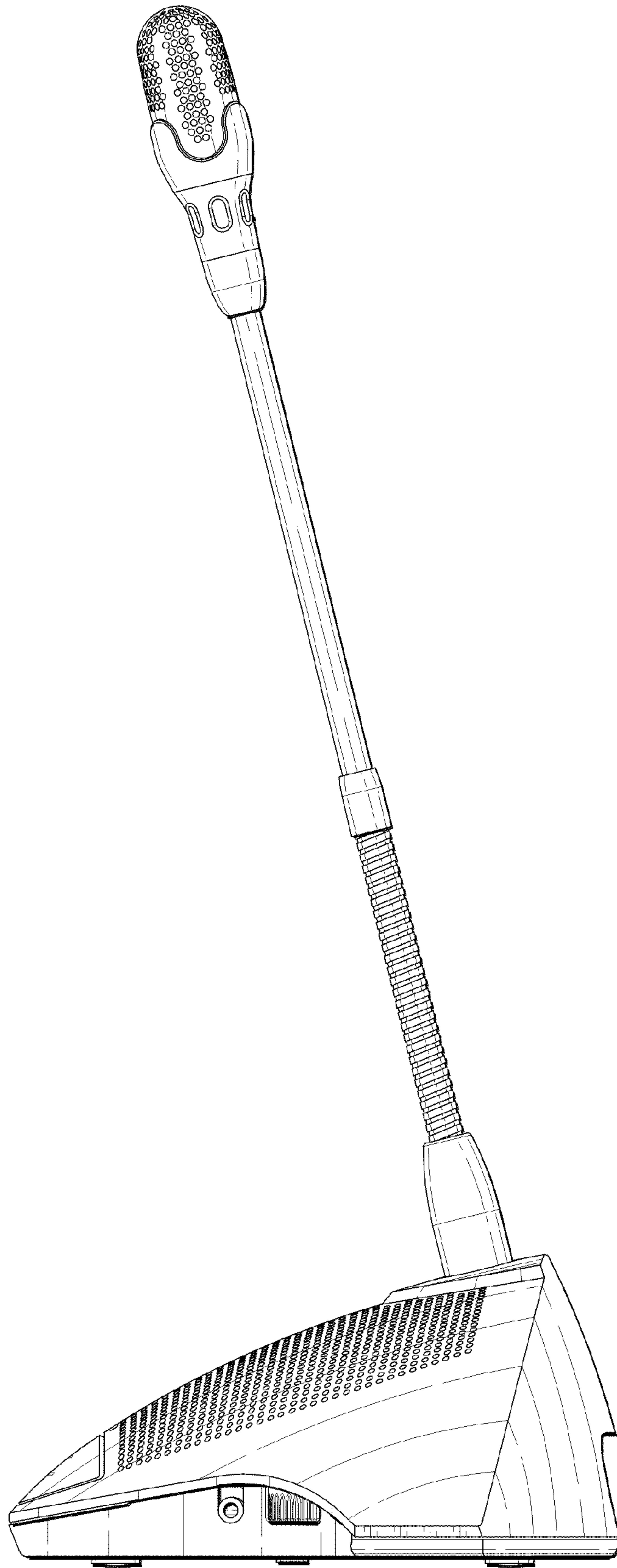


Fig. 2



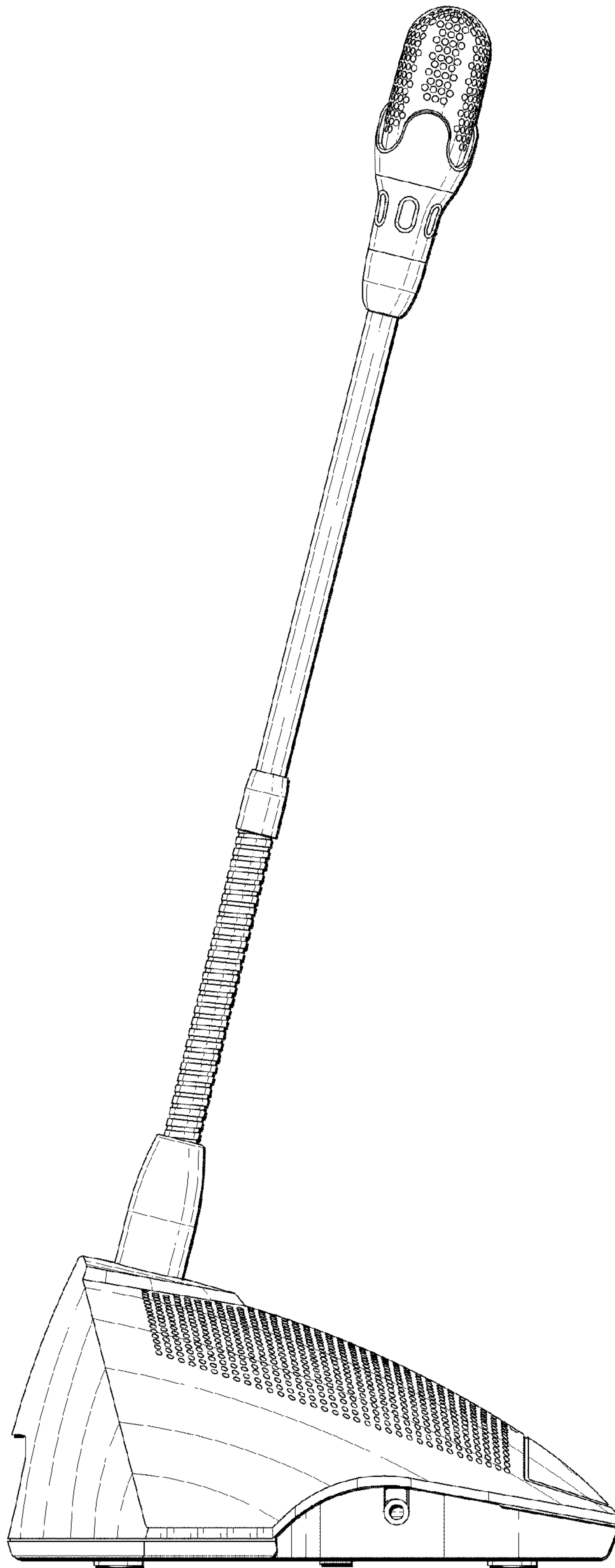


Fig. 3

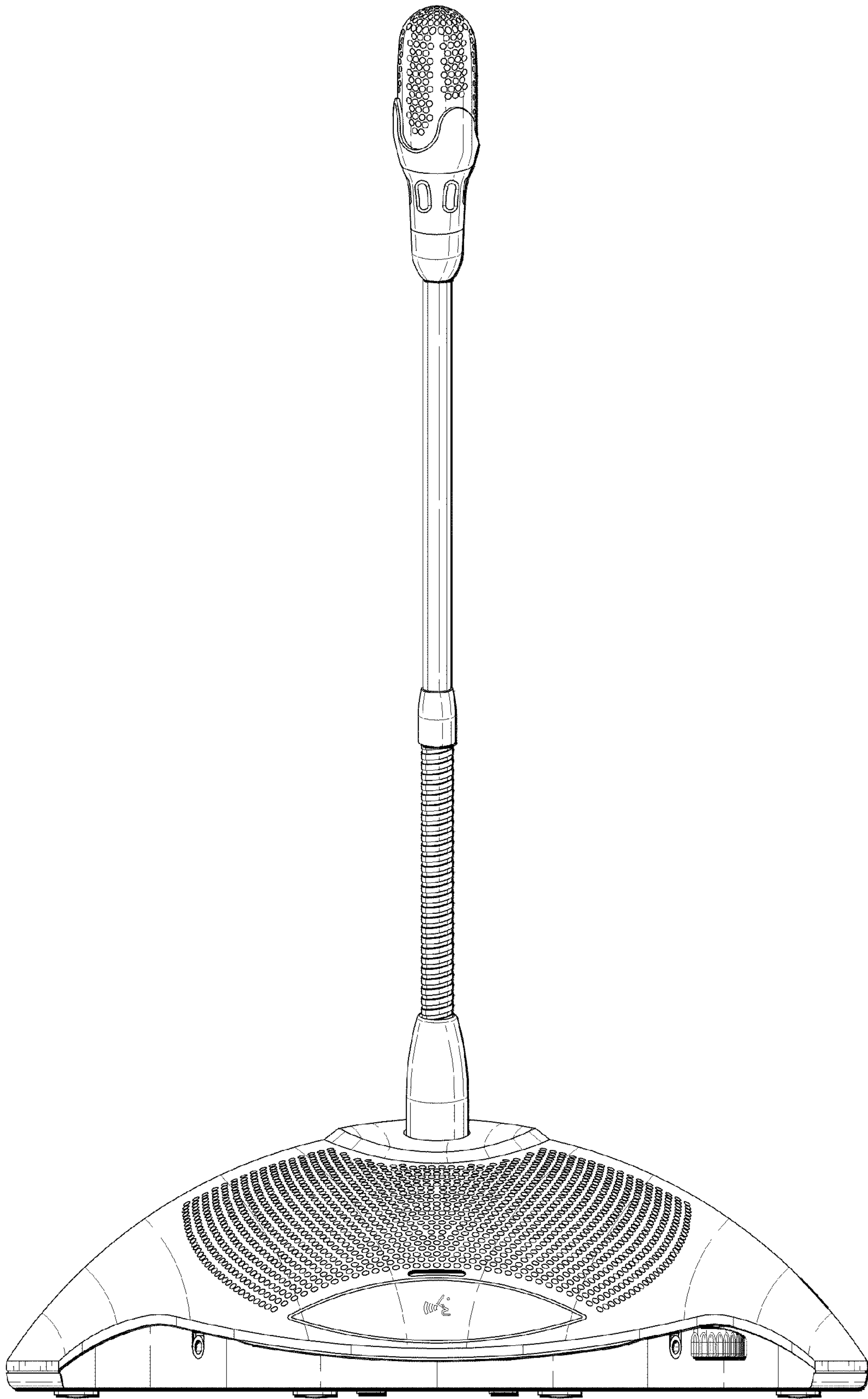


Fig. 4

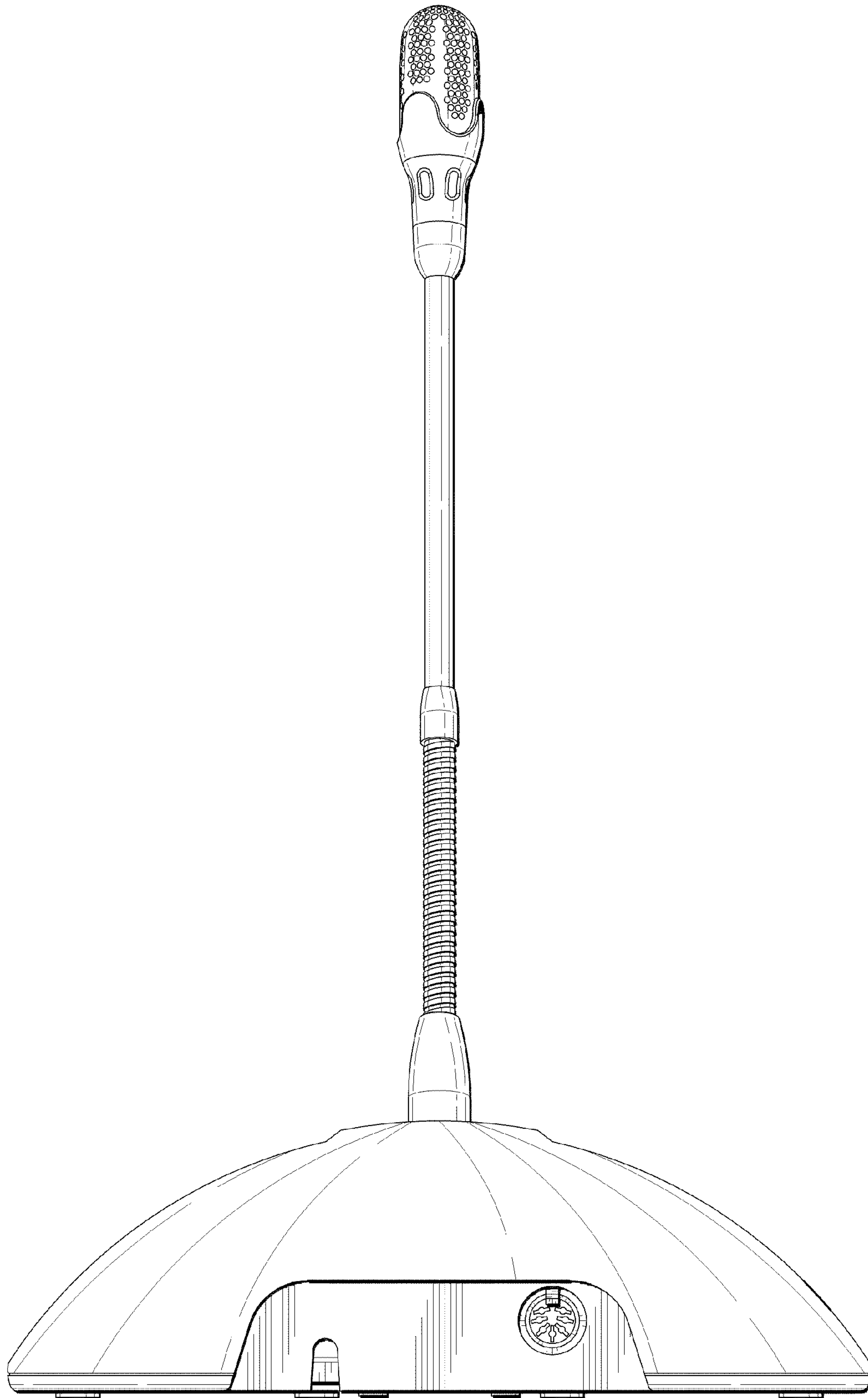


Fig. 5

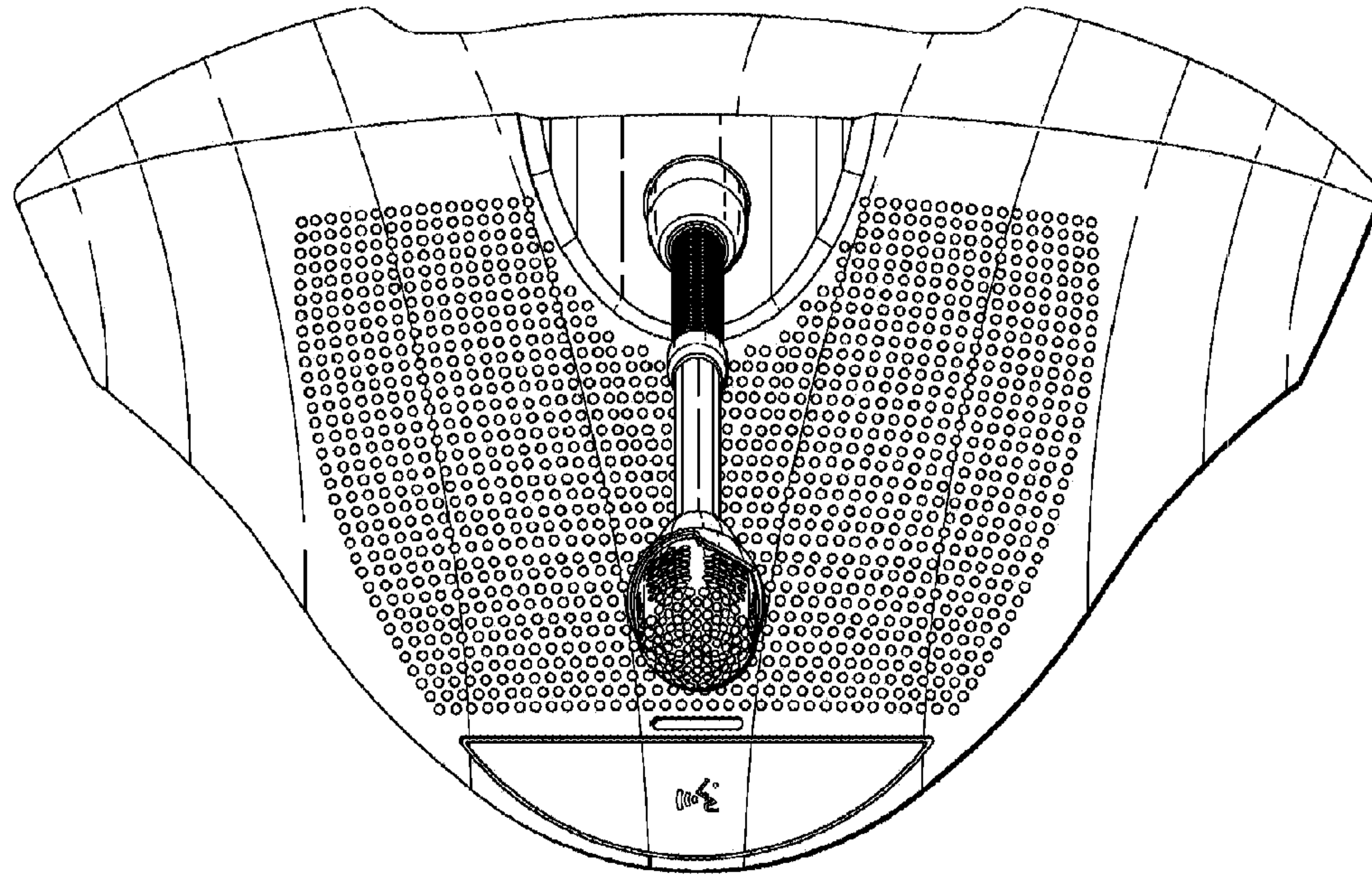


Fig. 6

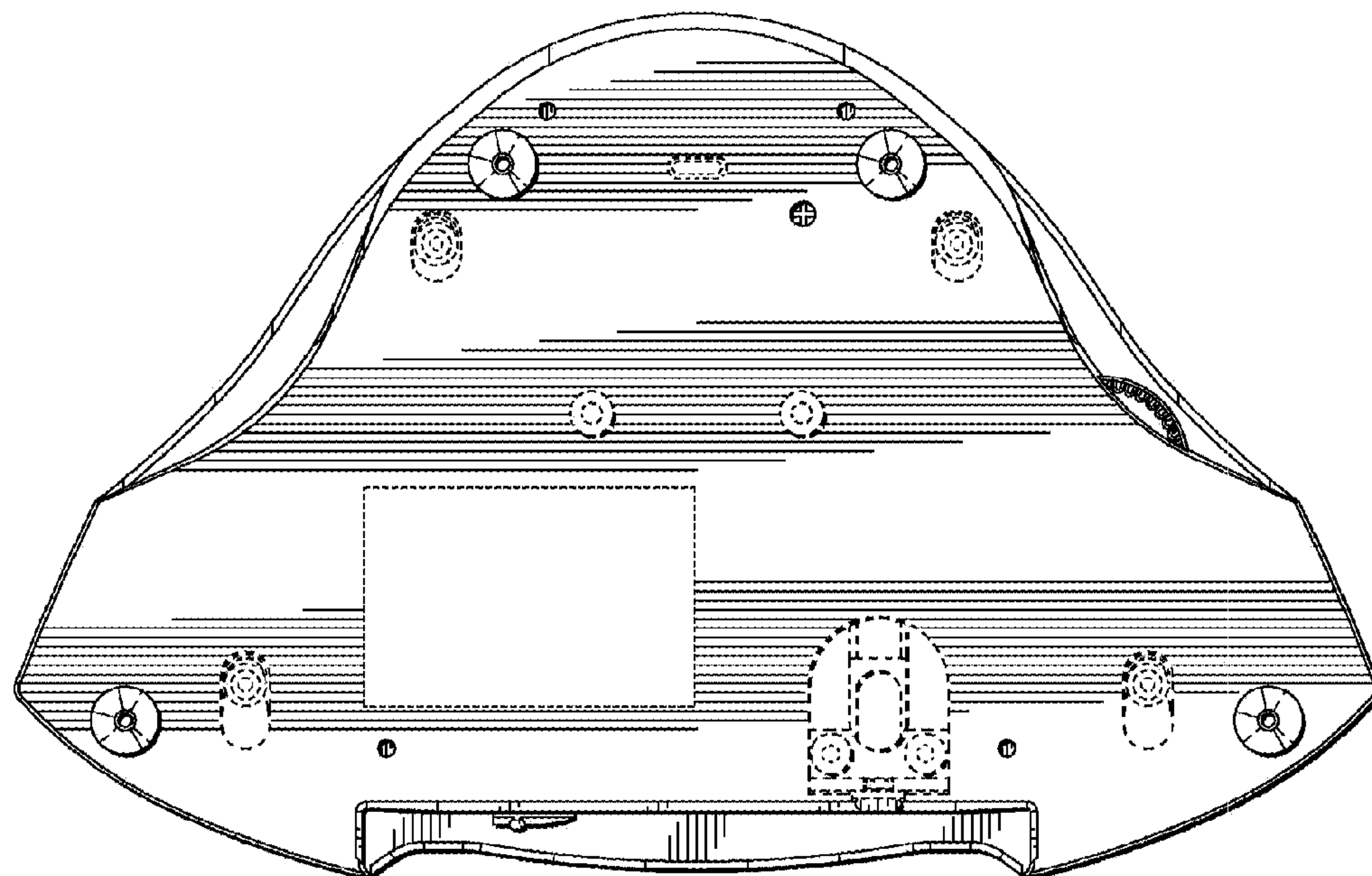


Fig. 7