



US00D651190S

(12) **United States Design Patent**  
**Zhao**

(10) **Patent No.:** **US D651,190 S**

(45) **Date of Patent:** **\*\* Dec. 27, 2011**

(54) **MOBILE PHONE**

(75) Inventor: **Ying Zhao**, Beijing (CN)

(73) Assignee: **Sony Ericsson Mobile Communications AB**, Lund (SE)

(\*\*) Term: **14 Years**

(21) Appl. No.: **29/396,894**

(22) Filed: **Jul. 8, 2011**

(30) **Foreign Application Priority Data**

Feb. 2, 2011 (EM) ..... 001814849-0001  
Feb. 2, 2011 (EM) ..... 001814849-0002

(51) **LOC (9) Cl.** ..... **14-03**

(52) **U.S. Cl.** ..... **D14/138 AD**

(58) **Field of Classification Search** ..... D14/138 AD,  
D14/138 G, 138 R, 138 AC, 138 C, 496,  
D14/341, 345, 346, 203.7, 247, 248, 218,  
D14/138 AA, 138 AB; 455/575.1, 556.2,  
455/556.1, 575.4, 566; D10/65; D13/168

See application file for complete search history.

(56) **References Cited**

U.S. PATENT DOCUMENTS

D558,720 S \* 1/2008 Lee et al. .... D14/138 AD  
D563,373 S \* 3/2008 Suk et al. .... D14/138 AD  
D567,797 S \* 4/2008 Suk et al. .... D14/138 G  
D568,286 S \* 5/2008 Suk et al. .... D14/138 G  
D581,894 S \* 12/2008 Kim ..... D14/138 G  
D587,262 S \* 2/2009 Sogabe ..... D14/341  
D589,924 S \* 4/2009 Jung et al. .... D14/138 AD  
D597,507 S \* 8/2009 Jung et al. .... D14/138 AD  
D601,994 S \* 10/2009 Kim et al. .... D14/138 G  
D603,356 S \* 11/2009 Sterzick et al. .... D14/138 G  
D604,715 S \* 11/2009 Shimizu et al. .... D14/203.7  
D606,507 S \* 12/2009 Kim et al. .... D14/138 G  
D608,322 S \* 1/2010 Kim ..... D14/138 G  
D611,365 S \* 3/2010 Stevens et al. .... D10/65  
D615,946 S \* 5/2010 Mun ..... D14/138 G  
D618,201 S \* 6/2010 Hachiya ..... D14/138 G  
D629,375 S \* 12/2010 Han et al. .... D14/138 AD  
D629,376 S \* 12/2010 Choi et al. .... D14/138 G

D629,782 S \* 12/2010 Kim et al. .... D14/138 G  
D631,461 S \* 1/2011 Yuan ..... D14/138 G  
D631,464 S \* 1/2011 Kim ..... D14/138 G

(Continued)

OTHER PUBLICATIONS

Sony Ericsson Mix Walkman telephone, announced Jun. 2011, [online], [site visited Sep. 20, 2011]. Available from Internet, <URL: <http://www.gsmarena.com>>.\*

(Continued)

*Primary Examiner* — Jeffrey D Asch

(74) *Attorney, Agent, or Firm* — Renner, Otto, Boisselle & Sklar, LLP

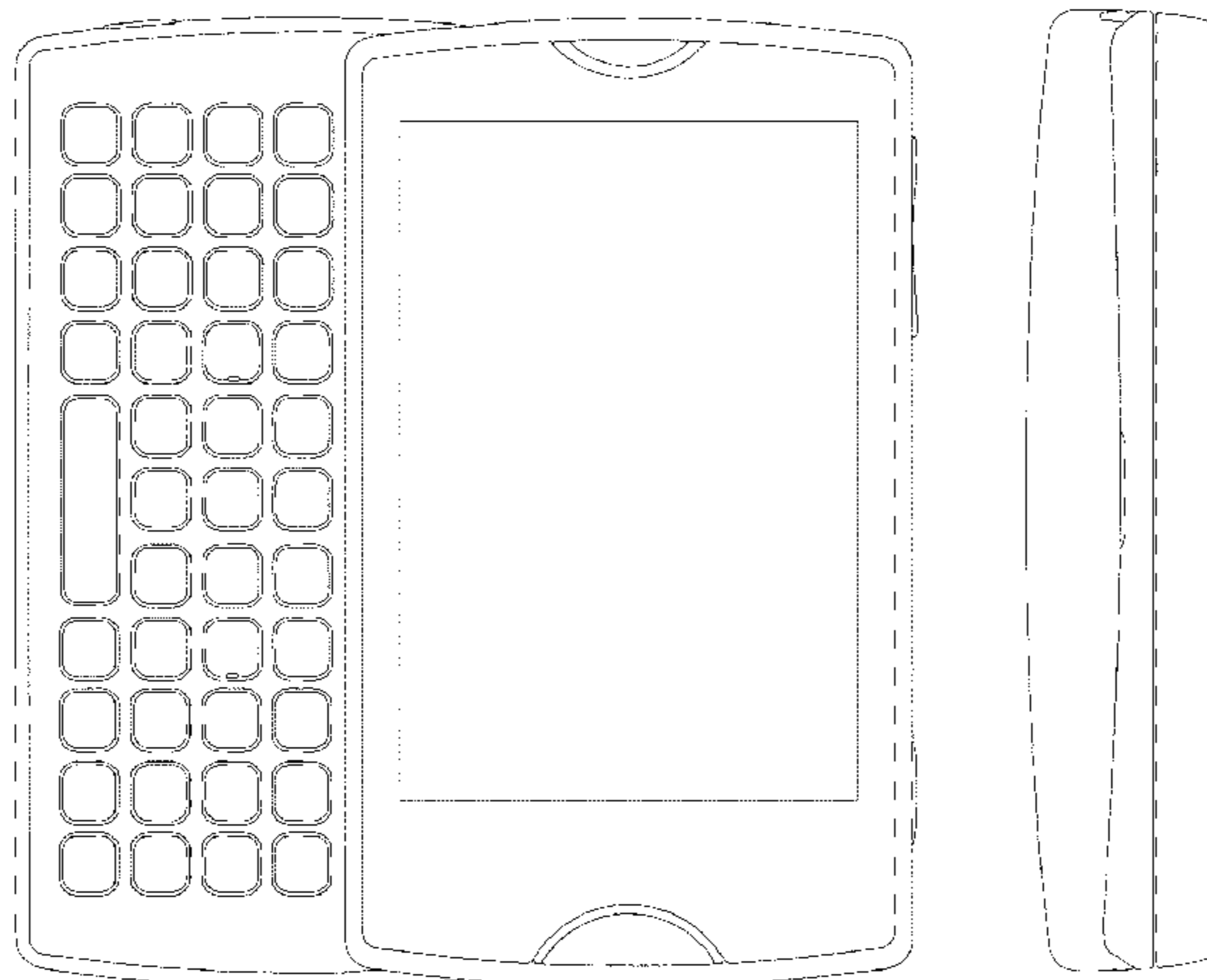
(57) **CLAIM**

The ornamental design for a mobile phone, as shown and described.

**DESCRIPTION**

FIG. 1 is a front view of a mobile phone showing my design in a closed configuration;  
FIG. 2 is a rear view thereof;  
FIG. 3 is a top view thereof;  
FIG. 4 is a bottom view thereof;  
FIG. 5 is a left side view thereof;  
FIG. 6 is a right side thereof;  
FIG. 7 is a perspective view thereof;  
FIG. 8 is a front view of the mobile phone in an open configuration;  
FIG. 9 is a rear view thereof;  
FIG. 10 is a top view thereof;  
FIG. 11 is a bottom view thereof;  
FIG. 12 is a left side view thereof;  
FIG. 13 is a right side thereof; and,  
FIG. 14 is a perspective view thereof.  
The outermost broken lines shown in FIG. 9 represent the bounds of the claimed design while all other broken lines are directed to environment and are for illustrative purposes only; the broken lines form no part of the claimed design.

**1 Claim, 5 Drawing Sheets**



U.S. PATENT DOCUMENTS

|              |      |         |                    |            |
|--------------|------|---------|--------------------|------------|
| D633,459     | S *  | 3/2011  | Suzuki .....       | D14/138 G  |
| D633,462     | S *  | 3/2011  | Mauritzson .....   | D14/138 AD |
| D633,882     | S *  | 3/2011  | Sadatsuki .....    | D14/138 G  |
| D633,885     | S *  | 3/2011  | Kim .....          | D14/138 G  |
| D634,292     | S *  | 3/2011  | Sadatsuki .....    | D14/138 AD |
| D635,115     | S *  | 3/2011  | Li .....           | D14/138 G  |
| D640,224     | S *  | 6/2011  | Sadatsuki .....    | D14/138 AD |
| D644,219     | S *  | 8/2011  | Sawada .....       | D14/345    |
| 2008/0132288 | A1 * | 6/2008  | Misawa .....       | 455/566    |
| 2008/0274776 | A1 * | 11/2008 | Cho et al. ....    | 455/575.4  |
| 2010/0304802 | A1 * | 12/2010 | Chuang et al. .... | 455/575.4  |

OTHER PUBLICATIONS

Sony Ericsson Xperia mini pro telephone, announced May 2011, [online], [site visited Sep. 20, 2011]. Available from Internet, <URL: <http://www.gsmarena.com>>.\*

Sony Ericsson Xperia mini telephone, announced May 2011, [online], [site visited Sep. 20, 2011]. Available from Internet, <URL: <http://www.gsmarena.com>>.\*

Sony Ericsson WT18i telephone, announced May 2011, [online], [site visited Sep. 20, 2011]. Available from Internet, <URL: <http://www.gsmarena.com>>.\*

Sony Ericsson Xperia X10 mini pro telephone, announced Feb. 2011, [online], [site visited Sep. 20, 2011]. Available from Internet, <URL: <http://www.gsmarena.com>>.\*

Sony Ericsson Xperia X10 mini telephone, announced Feb. 2011, [online], [site visited Sep. 20, 2011]. Available from Internet, <URL: <http://www.gsmarena.com>>.\*

Sony Ericsson txt pro telephone, announced Jun. 2011, [online], [site visited Sep. 20, 2011]. Available from Internet, <URL: <http://www.gsmarena.com>>.\*

Samsung B7610 OmniaPRO telephone, announced Jun. 2009, [online], [site visited Sep. 20, 2011]. Available from Internet, <URL: <http://www.gsmarena.com>>.\*

LG EGO Wi-Fi telephone, announced Jun. 2011, [online], [site visited Sep. 20, 2011]. Available from Internet, <URL: <http://www.gsmarena.com>>.\*

Samsung Propel Pro telephone, announced Mar. 2009, [online], [site visited Sep. 20, 2011]. Available from Internet, <URL: <http://www.gsmarena.com>>.\*

\* cited by examiner

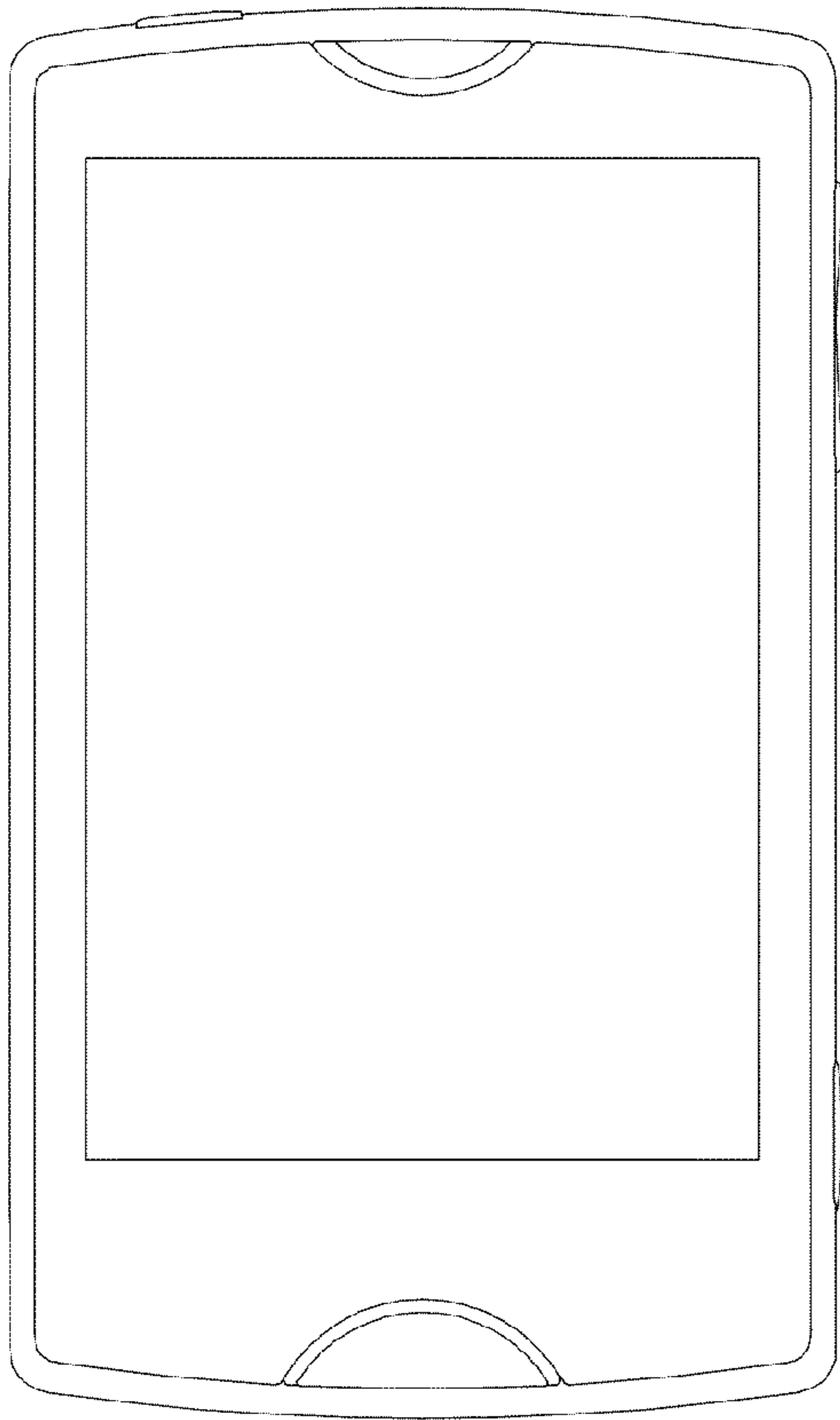


FIG. 1

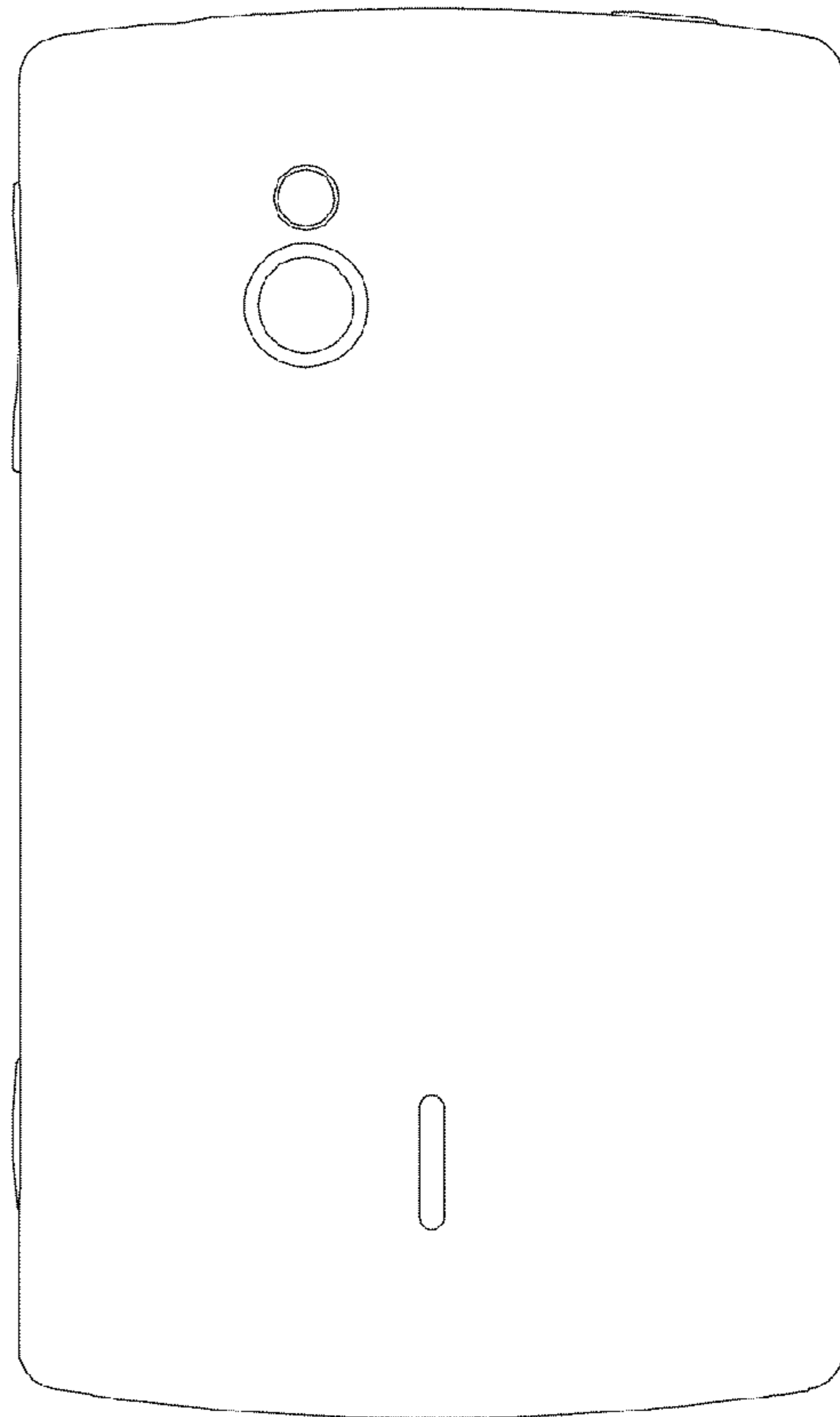


FIG. 2

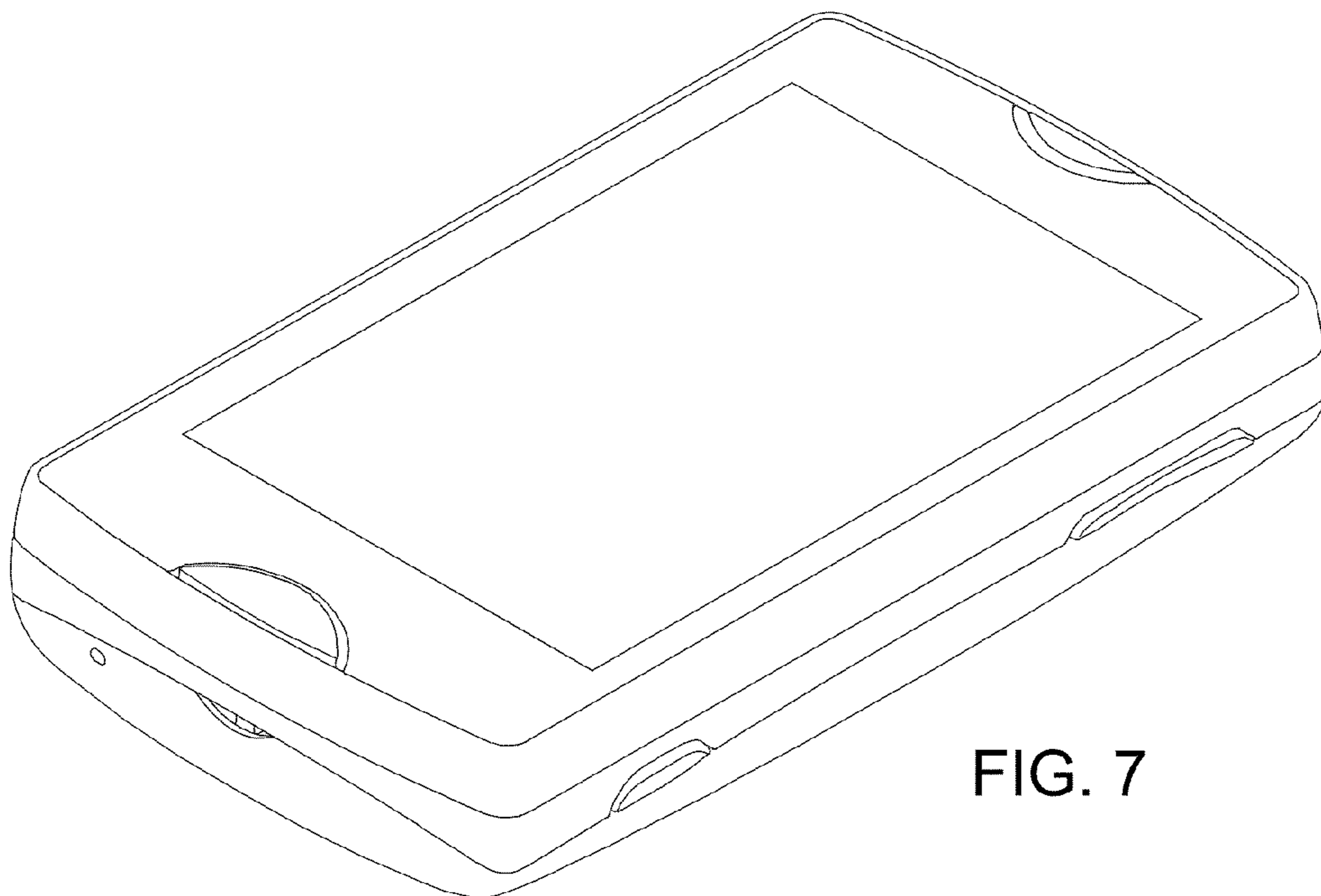


FIG. 7

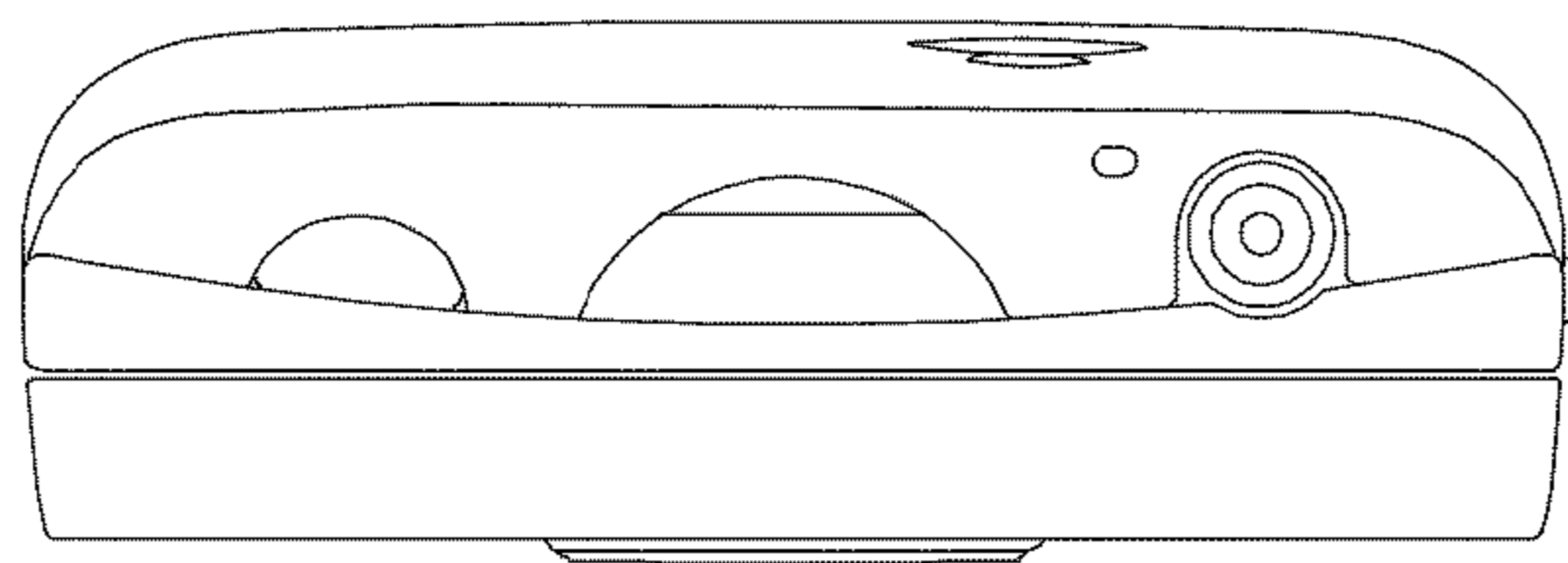


FIG. 3

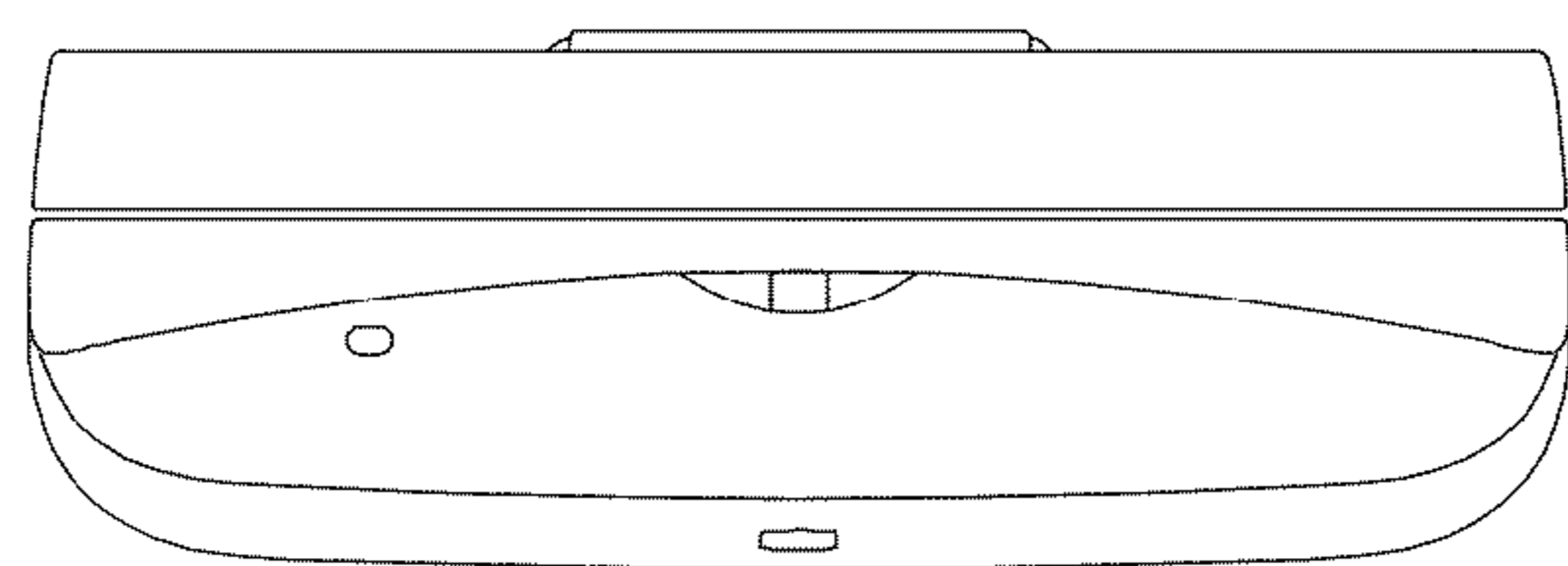


FIG. 4

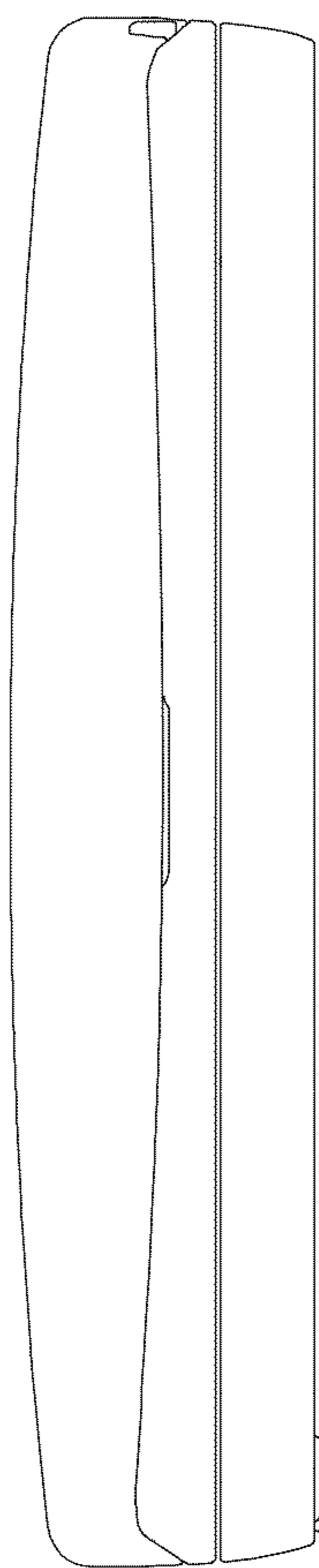


FIG. 5

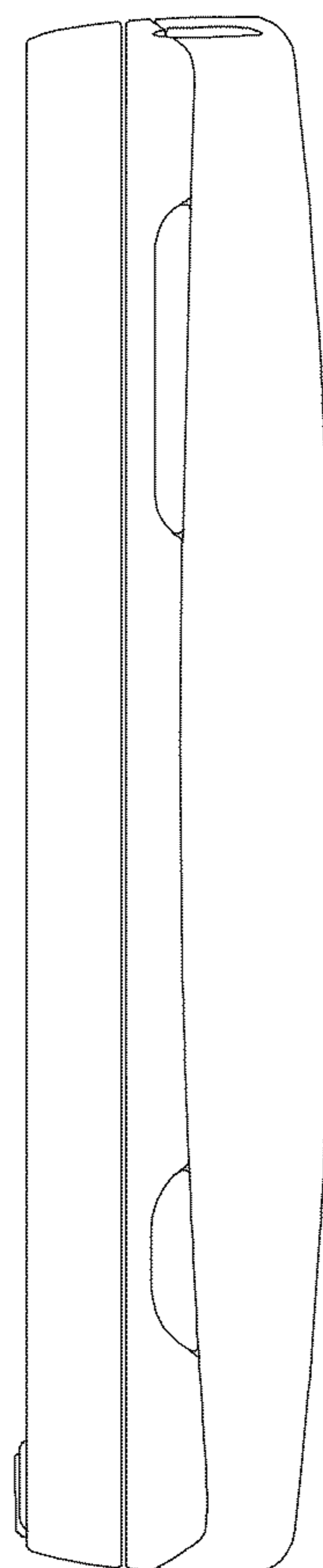


FIG. 6

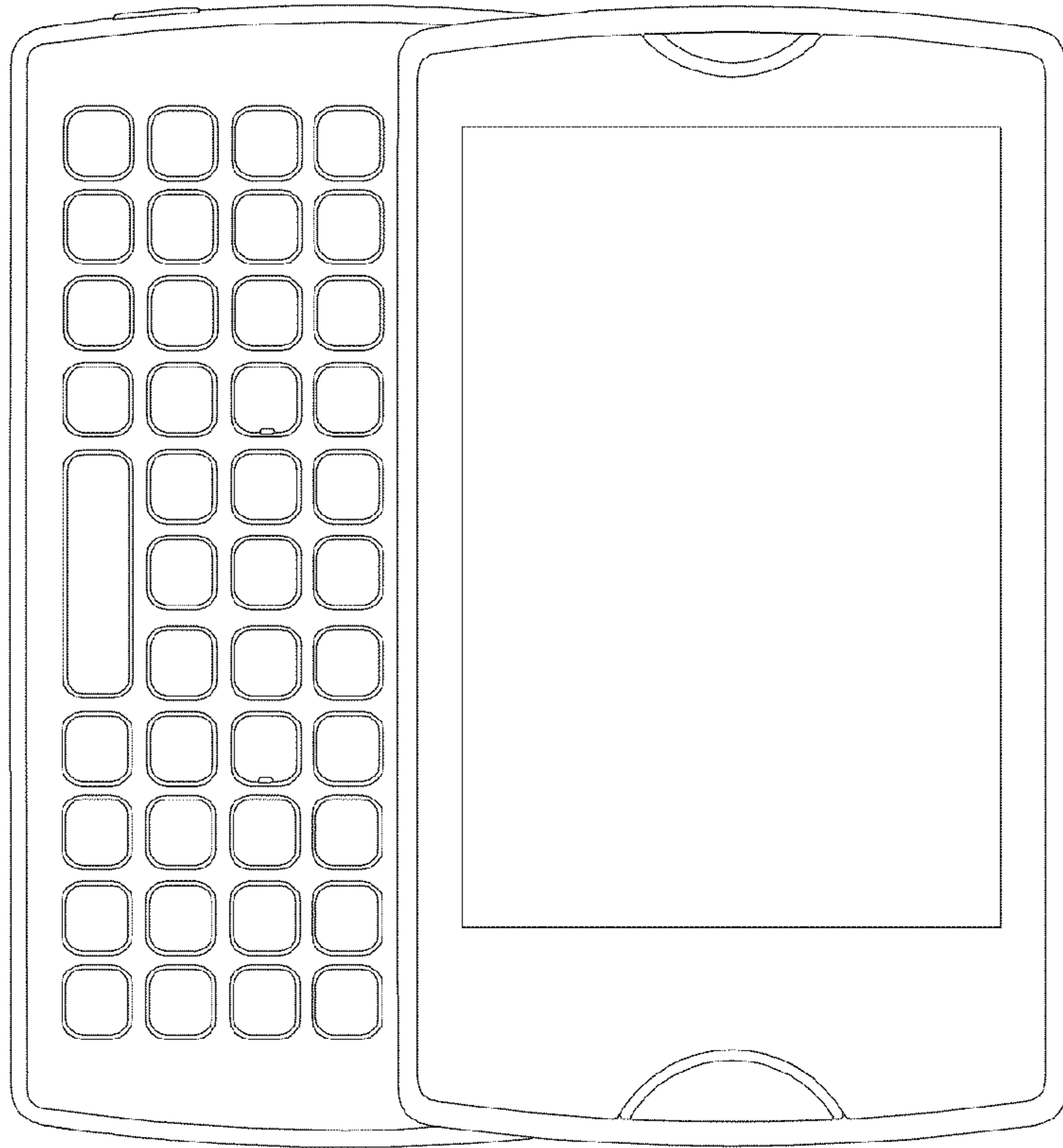


FIG. 8

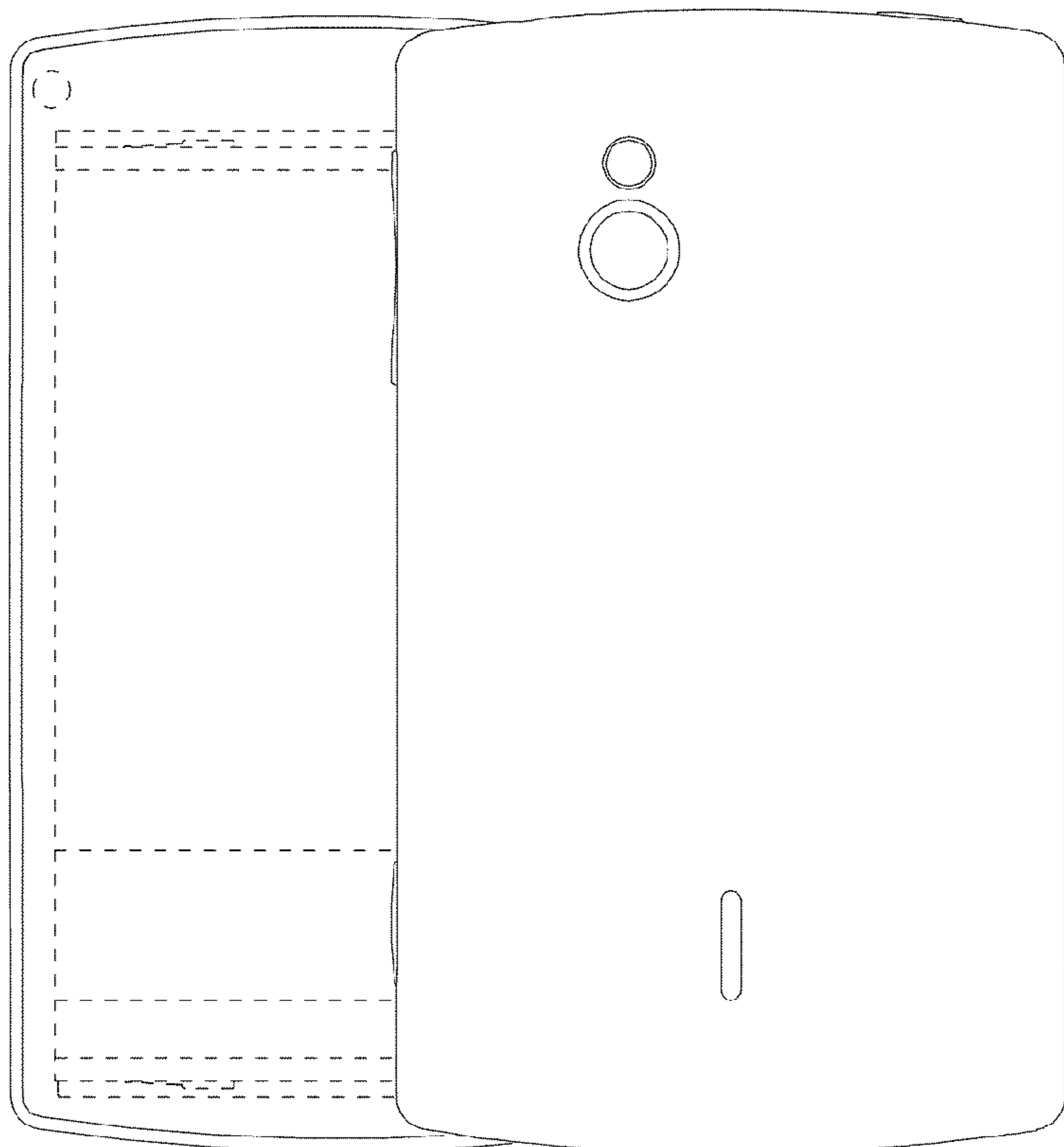


FIG. 9

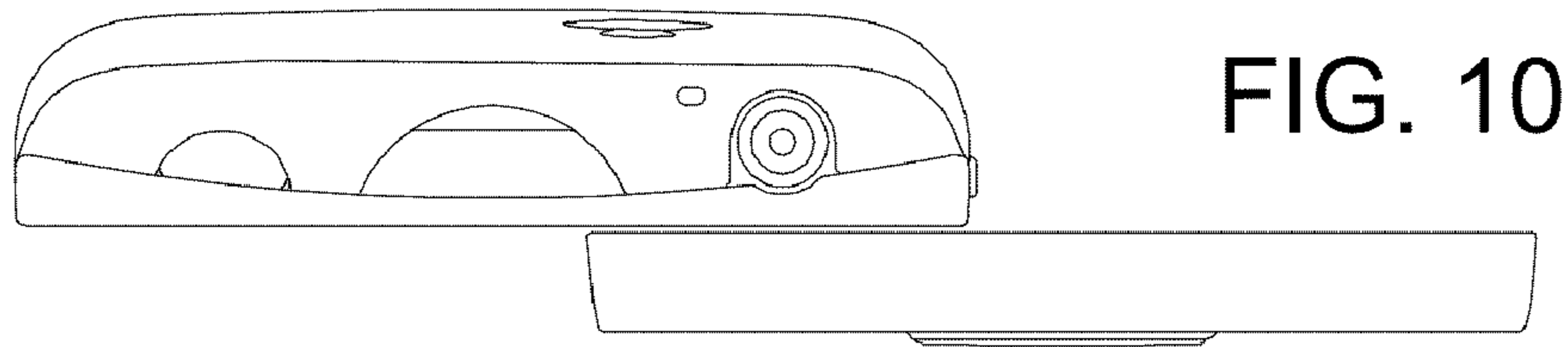


FIG. 10

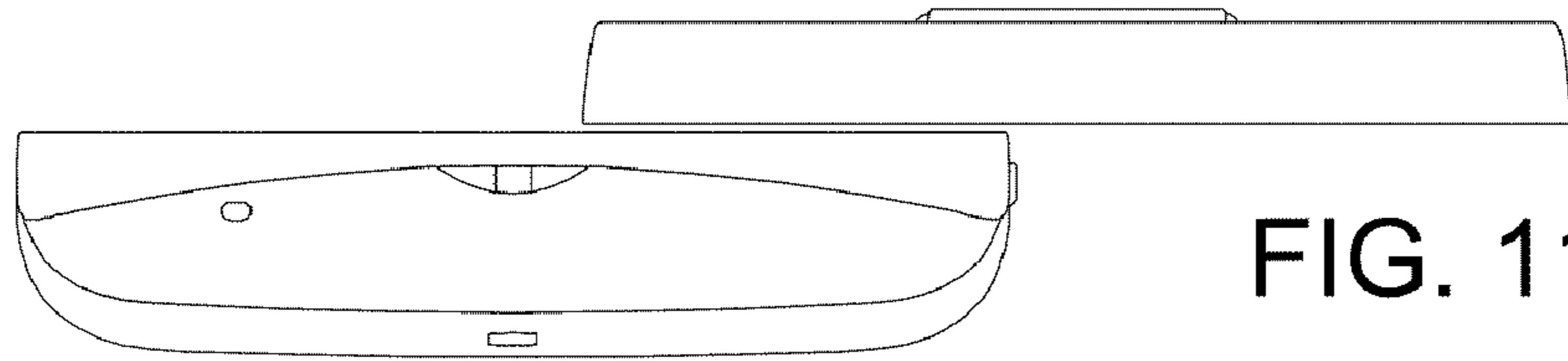


FIG. 11

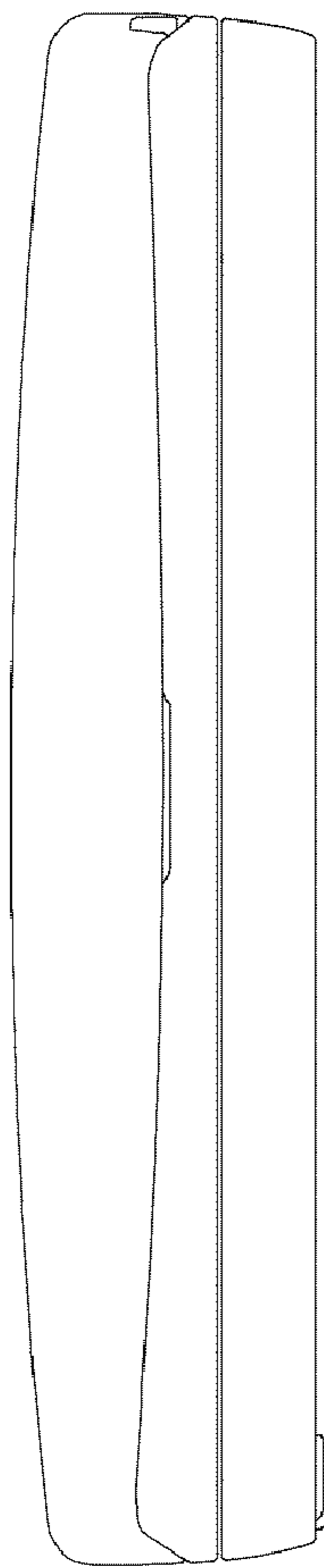


FIG. 12

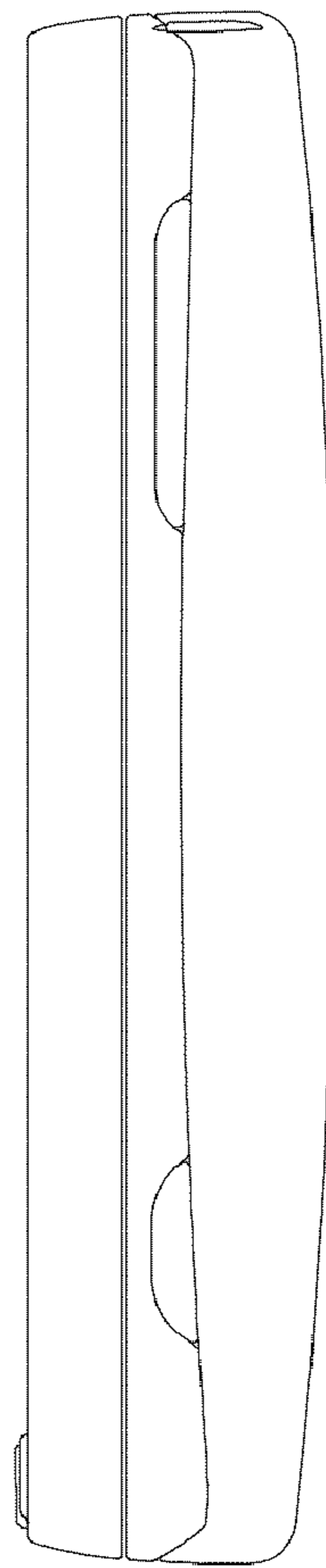


FIG. 13

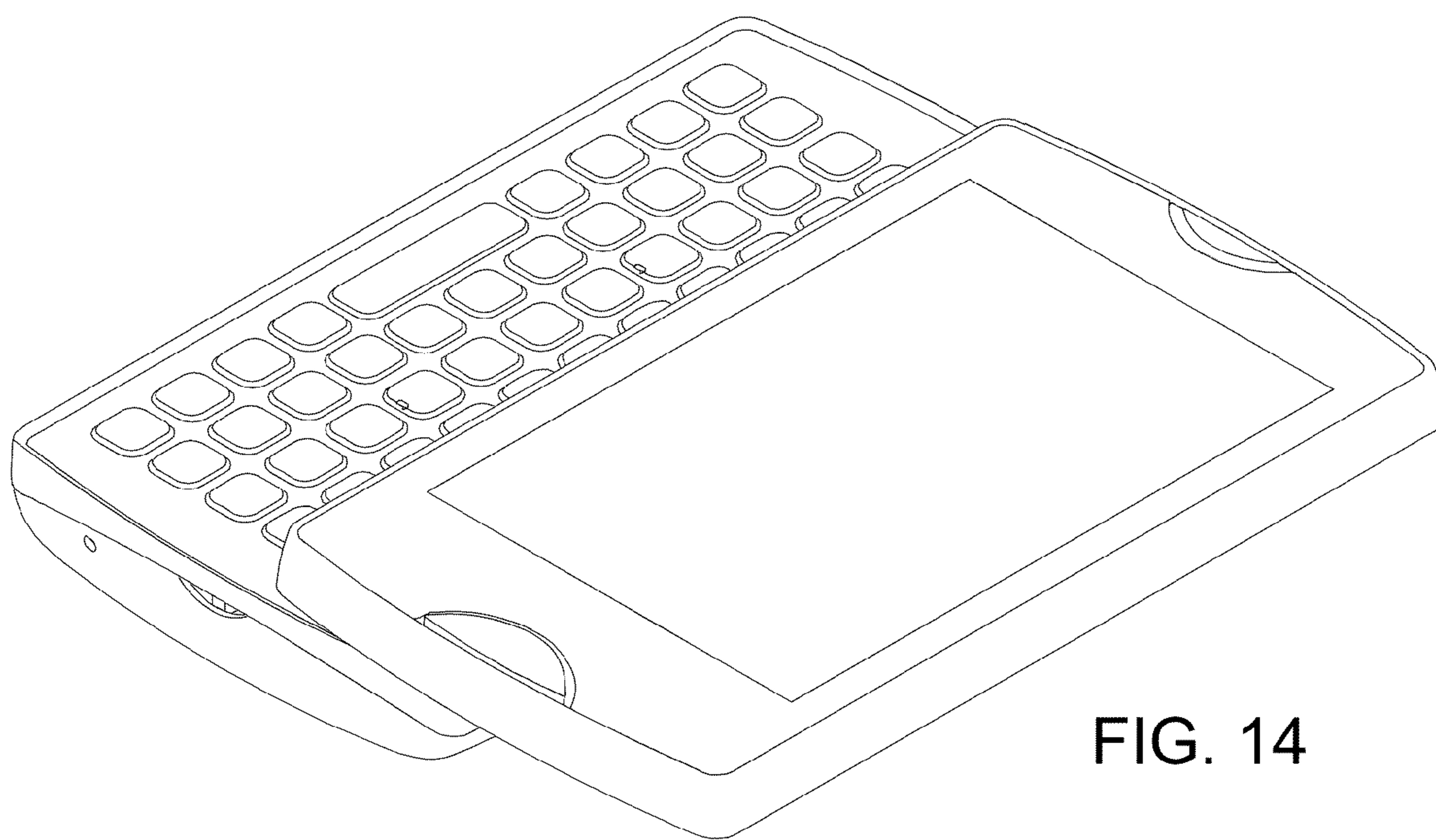


FIG. 14