



US00D651188S

(12) **United States Design Patent**
Sugiyama

(10) **Patent No.:** **US D651,188 S**

(45) **Date of Patent:** **** Dec. 27, 2011**

(54) **MOBILE PHONE**

(75) Inventor: **Naoki Sugiyama**, Tokyo (JP)

(73) Assignee: **Sony Ericsson Mobile Communications AB**, Lund (SE)

(**) Term: **14 Years**

(21) Appl. No.: **29/392,037**

(22) Filed: **May 17, 2011**

(30) **Foreign Application Priority Data**

Dec. 21, 2010 (EM) 001796673-0001

Dec. 21, 2010 (EM) 001796673-0002

(51) **LOC (9) Cl.** **14-03**

(52) **U.S. Cl.** **D14/138 AD**

(58) **Field of Classification Search** D14/138 AD,
D14/138 G, 138 R, 138 AC, 138 C, 496,
D14/341, 345, 346, 203.7, 247, 248, 218,
D14/138 AA, 138 AB; 455/575.1, 556.2,
455/556.1, 575.4, 566; D10/65; D13/168

See application file for complete search history.

(56) **References Cited**

U.S. PATENT DOCUMENTS

D558,720 S *	1/2008	Lee et al.	D14/138 AD
D578,503 S *	10/2008	Shin et al.	D14/138 AD
D580,396 S *	11/2008	Kang	D14/138 G
D602,463 S *	10/2009	Eguchi	D14/138 G
D602,901 S *	10/2009	Eguchi et al.	D14/138 G
D603,356 S *	11/2009	Sterzick et al.	D14/138 G
D609,210 S *	2/2010	Sohn et al.	D14/138 AD
D611,924 S *	3/2010	Ou et al.	D14/138 AD
D615,946 S *	5/2010	Mun	D14/138 G
D617,293 S *	6/2010	Yoshihashi	D14/138 AD
D618,200 S *	6/2010	Kim et al.	D14/138 AD
D619,557 S *	7/2010	Han et al.	D14/138 AD
D619,986 S *	7/2010	Kim et al.	D14/138 AD
D619,989 S *	7/2010	Huang	D14/138 G
D625,700 S *	10/2010	Sandberg et al.	D14/138 AD
D629,375 S *	12/2010	Han et al.	D14/138 AD
D629,776 S *	12/2010	Lee et al.	D14/138 AD
D631,864 S *	2/2011	Jung	D14/138 AB

D633,459 S *	3/2011	Suzuki	D14/138 G
D633,462 S *	3/2011	Mauritzson	D14/138 AD
D633,882 S *	3/2011	Sadatsuki	D14/138 G
D634,292 S *	3/2011	Sadatsuki	D14/138 AD
D636,368 S *	4/2011	Kim	D14/138 AD
7,930,009 B2 *	4/2011	Todune	455/575.4
D640,221 S *	6/2011	Lee et al.	D14/138 AD
D640,224 S *	6/2011	Sadatsuki	D14/138 AD

(Continued)

OTHER PUBLICATIONS

Sony Ericsson Xperia pro telephone, announced Feb. 2011, [online], [site visited Sep. 20, 2011]. Available from Internet, <URL: <http://www.gsmarena.com>>.*

(Continued)

Primary Examiner — Jeffrey D Asch

(74) *Attorney, Agent, or Firm* — Renner, Otto, Boisselle & Sklar, LLP

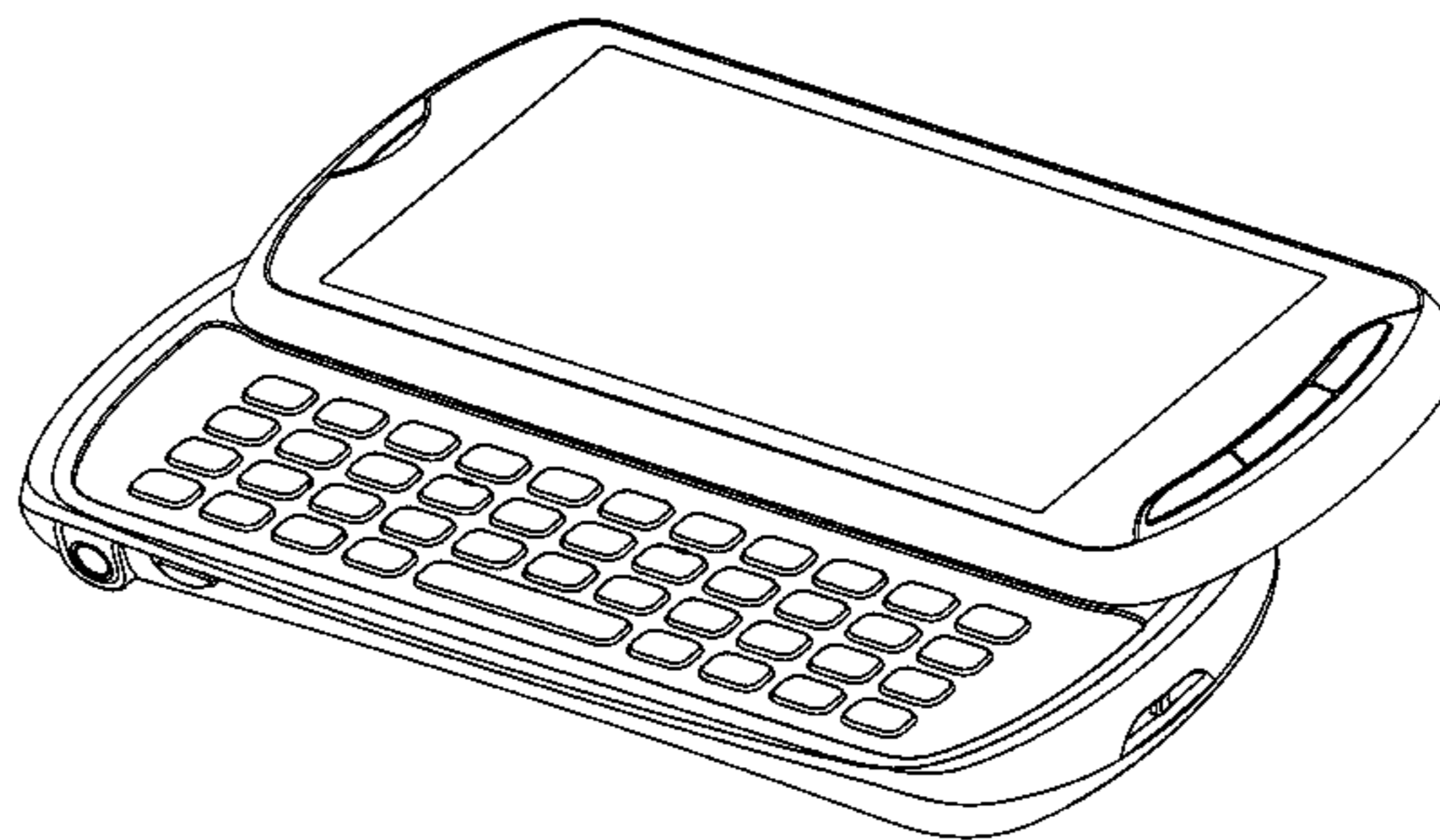
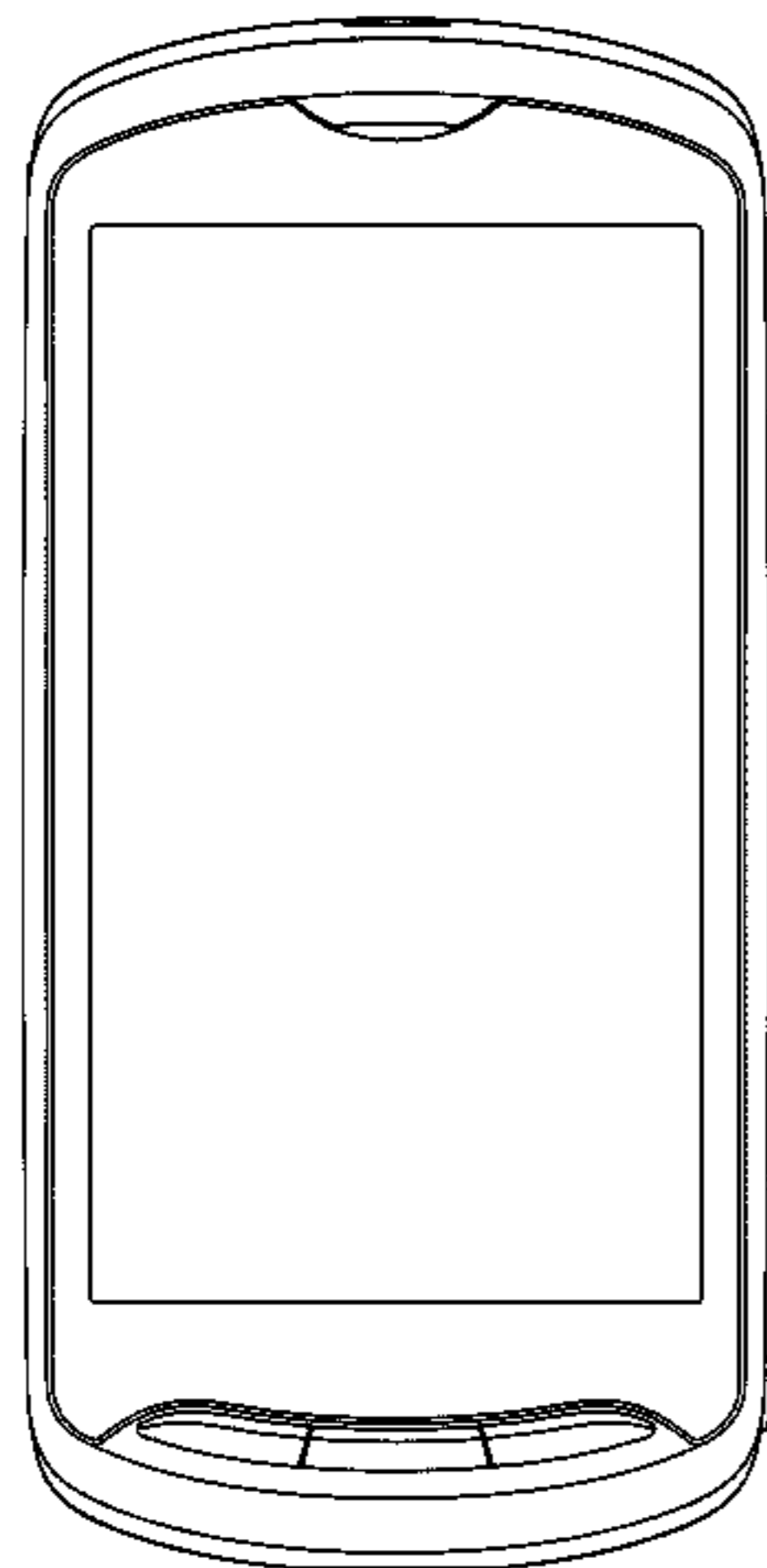
(57) **CLAIM**

The ornamental design for a mobile phone, as shown and described.

DESCRIPTION

FIG. 1 is a perspective view of a mobile phone in a closed position showing my design;
FIG. 2 is front view thereof;
FIG. 3 is a rear view thereof;
FIG. 4 is a right side view thereof;
FIG. 5 is a left side view thereof;
FIG. 6 is a bottom view thereof;
FIG. 7 is a top view thereof;
FIG. 8 is a perspective view of the mobile phone in an open position;
FIG. 9 is a front view thereof;
FIG. 10 is a rear view thereof;
FIG. 11 is a right side view thereof;
FIG. 12 is a left side view thereof;
FIG. 13 is a bottom thereof; and,
FIG. 14 is a top view thereof.

1 Claim, 5 Drawing Sheets



U.S. PATENT DOCUMENTS

D642,152 S * 7/2011 Cho D14/138 AD
D644,196 S * 8/2011 Lee et al. D14/138 AD
D645,011 S * 9/2011 Min D14/138 AD
2008/0132288 A1* 6/2008 Misawa 455/566
2008/0274776 A1* 11/2008 Cho et al. 455/575.4
2009/0024926 A1* 1/2009 Morotomi 715/716
2010/0304802 A1* 12/2010 Chuang et al. 455/575.4

OTHER PUBLICATIONS

Sony Ericsson Vivaz pro telephone, announced Feb. 2010, [online], [site visited Sep. 20, 2011]. Available from Internet, <URL: <http://www.gsmarena.com>>.*
HTC Touch Pro2 CDMA telephone, announced May 2009, [online], [site visited Sep. 20, 2011]. Available from Internet, <URL: <http://www.gsmarena.com>>.*
T-Mobile MDA Vario V telephone, announced Feb. 2009, [online], [site visited Sep. 20, 2011]. Available from Internet, <URL: <http://www.gsmarena.com>>.*
Sony Ericsson Xperia NeoV telephone, announced Aug. 2011, [online], [site visited Sep. 20, 2011]. Available from Internet, <URL: <http://www.gsmarena.com>>.*

Sharp Aquos SH8298U telephone, announced Sep. 2011, [online], [site visited Sep. 20, 2011]. Available from Internet, <URL: <http://www.gsmarena.com>>.*

LG US760 Genesis telephone, announced May 2011, [online], [site visited Sep. 20, 2011]. Available from Internet, <URL: <http://www.gsmarena.com>>.*

Samsung i8910 Omnia HD telephone, announced Feb. 2009, [online], [site visited Sep. 20, 2011]. Available from Internet, <URL: <http://www.gsmarena.com>>.*

Samsung A877 Impression telephone, announced Mar. 2009, [online], [site visited Sep. 20, 2011]. Available from Internet, <URL: <http://www.gsmarena.com>>.*

LG Xenon GR500 telephone, announced Mar. 2009, [online], [site visited Sep. 20, 2011]. Available from Internet, <URL: <http://www.gsmarena.com>>.*

ZTE Skate telephone, announced Feb. 2011, [online], [site visited Sep. 20, 2011]. Available from Internet, <URL: <http://www.gsmarena.com>>.*

* cited by examiner

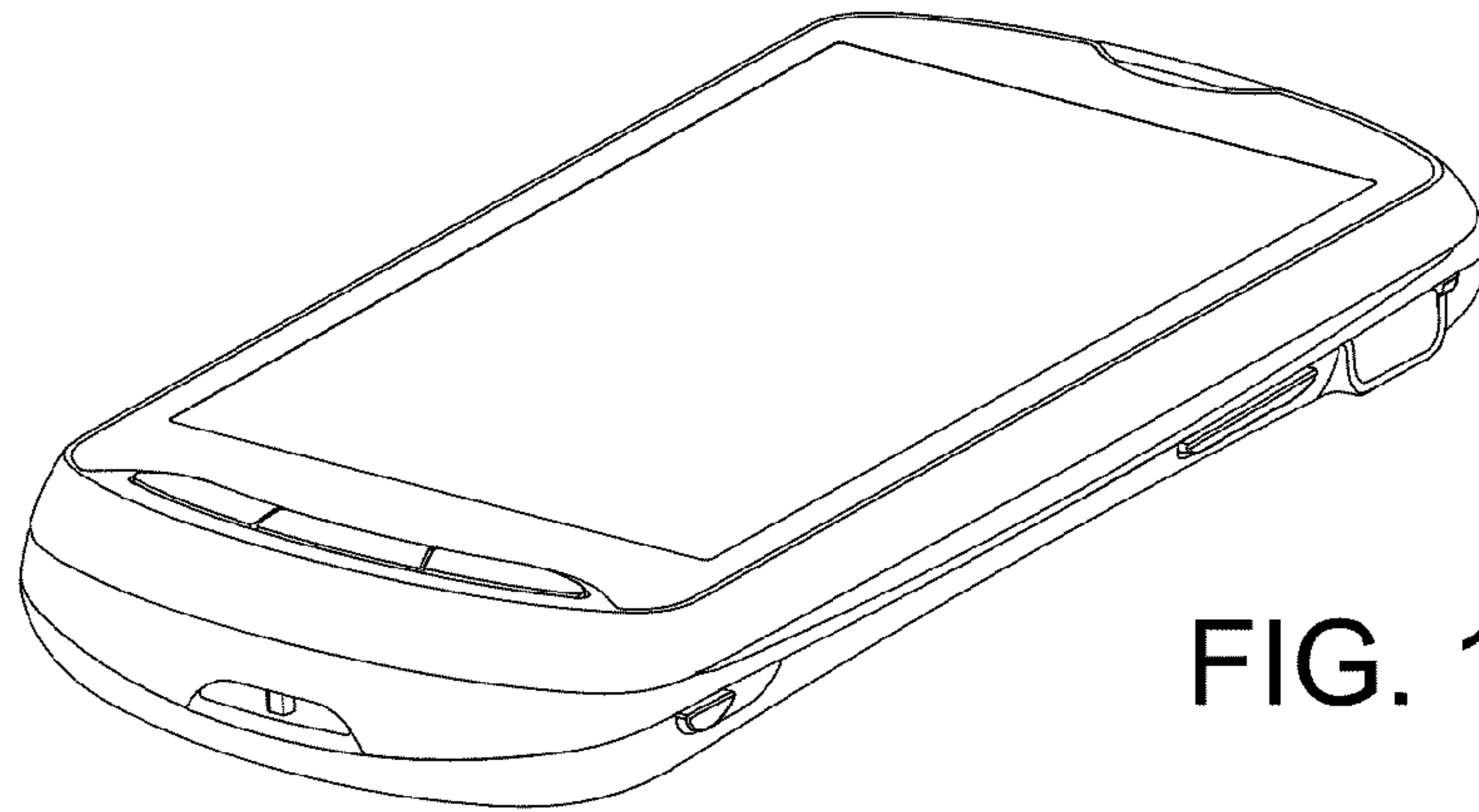


FIG. 1

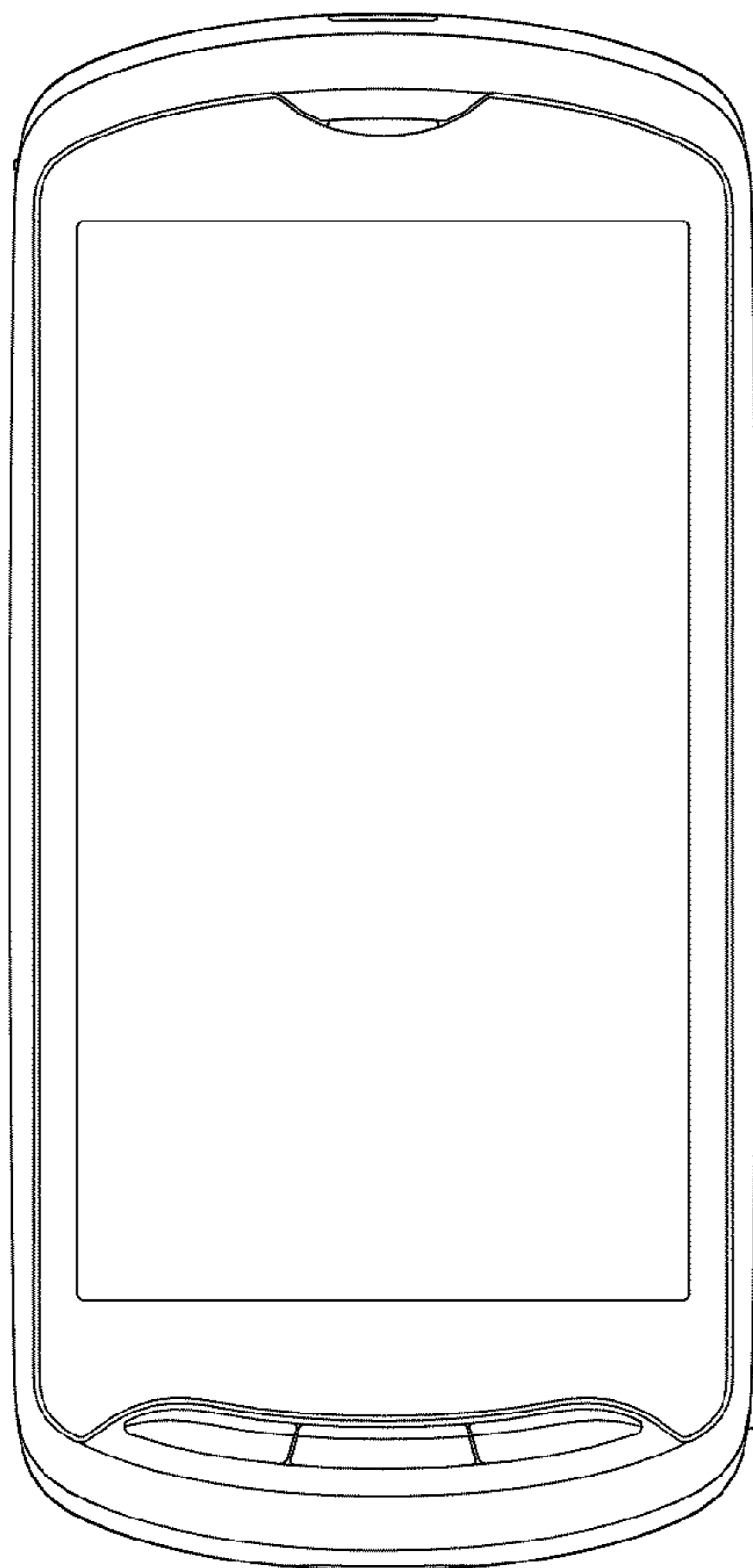


FIG. 2

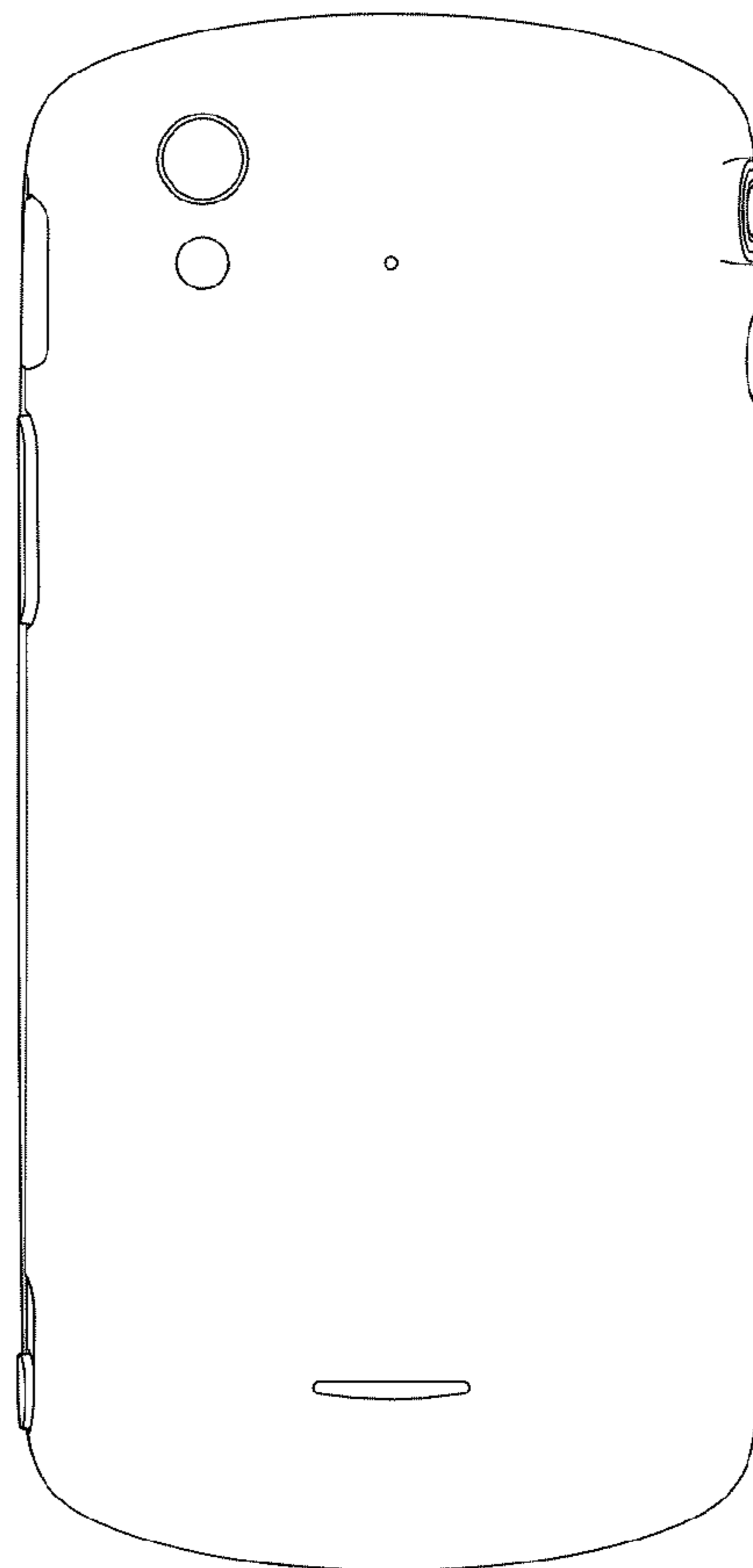


FIG. 3

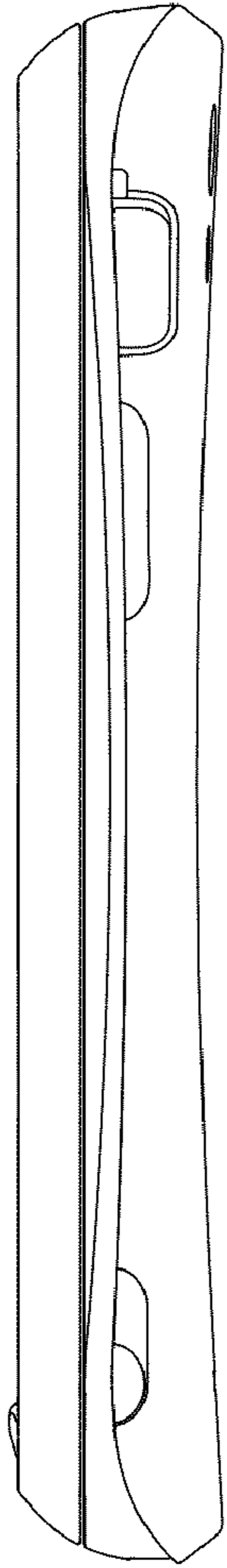


FIG. 4

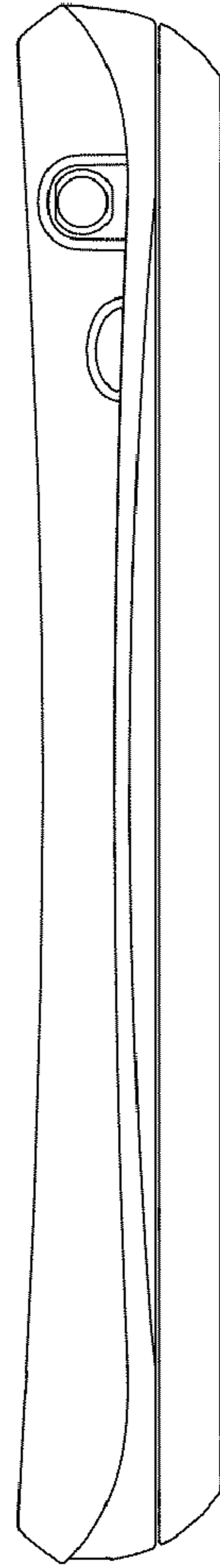


FIG. 5

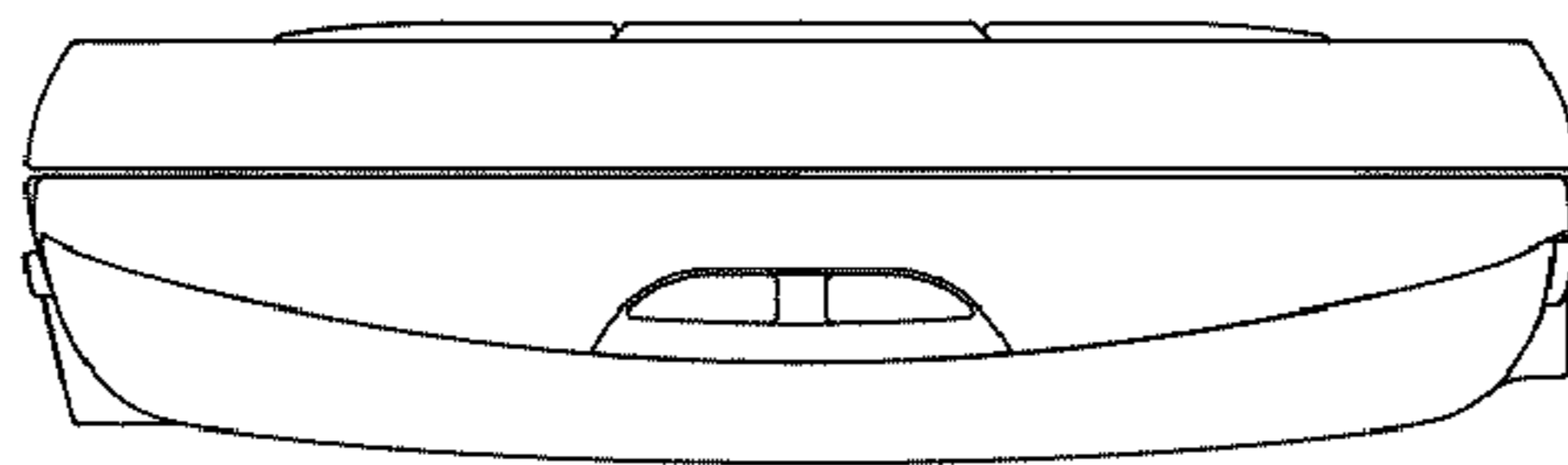


FIG. 6

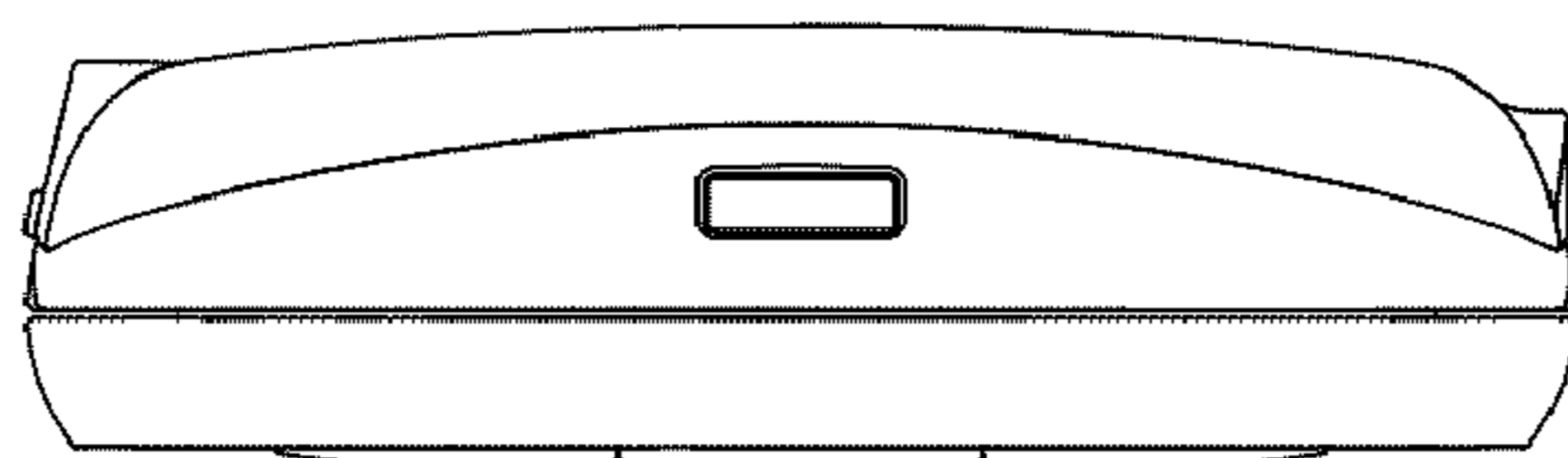


FIG. 7

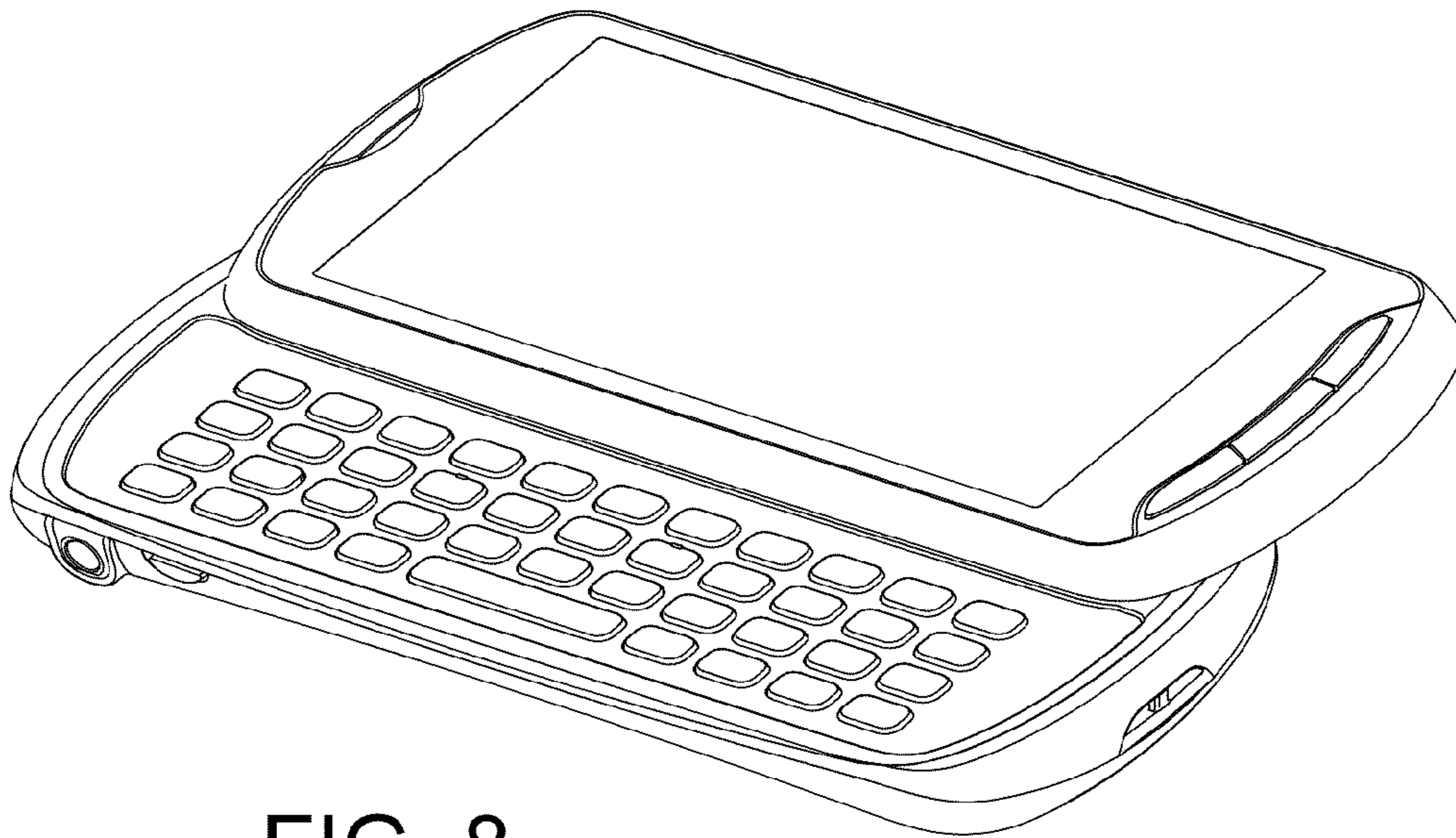


FIG. 8

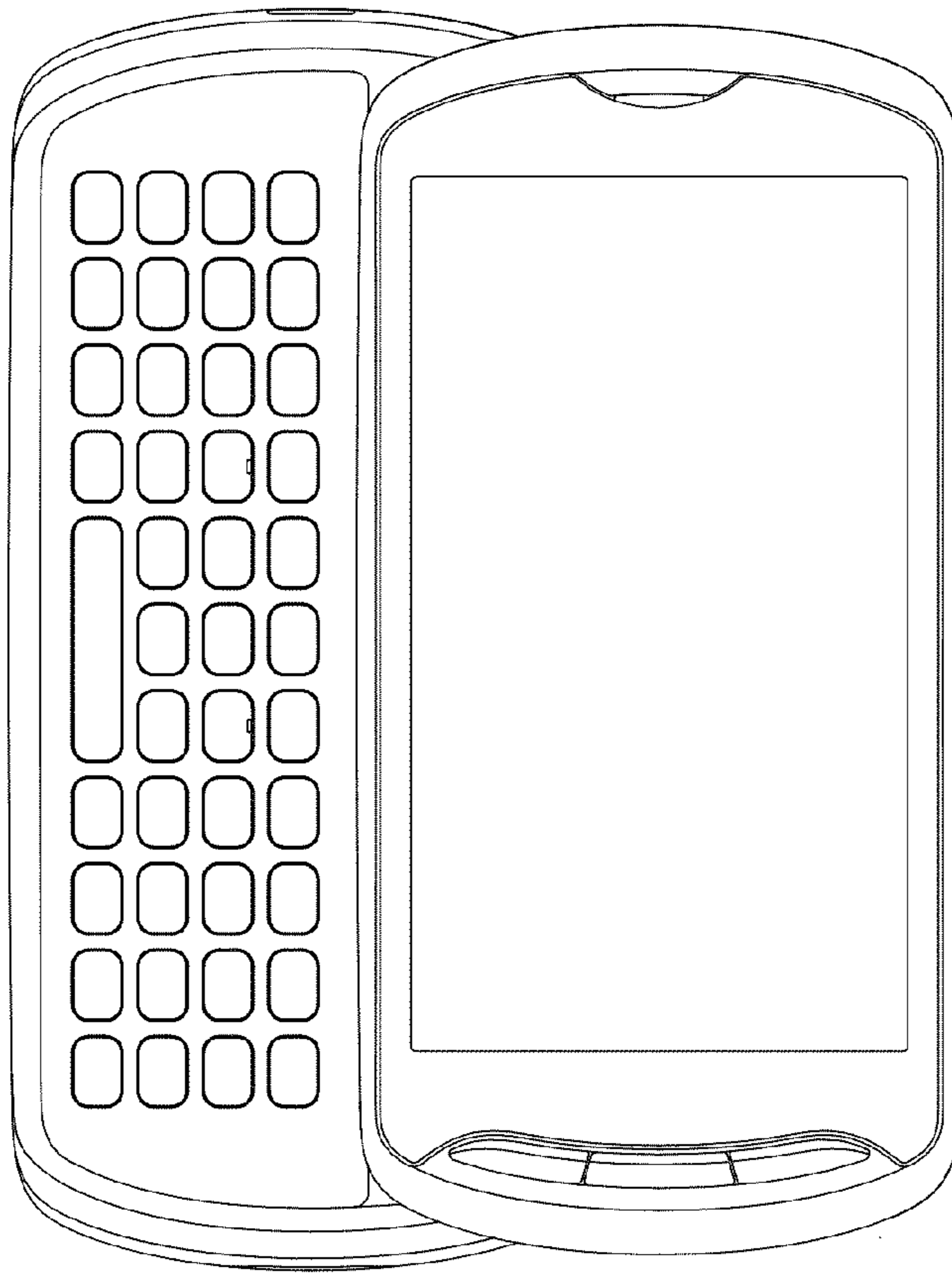


FIG. 9

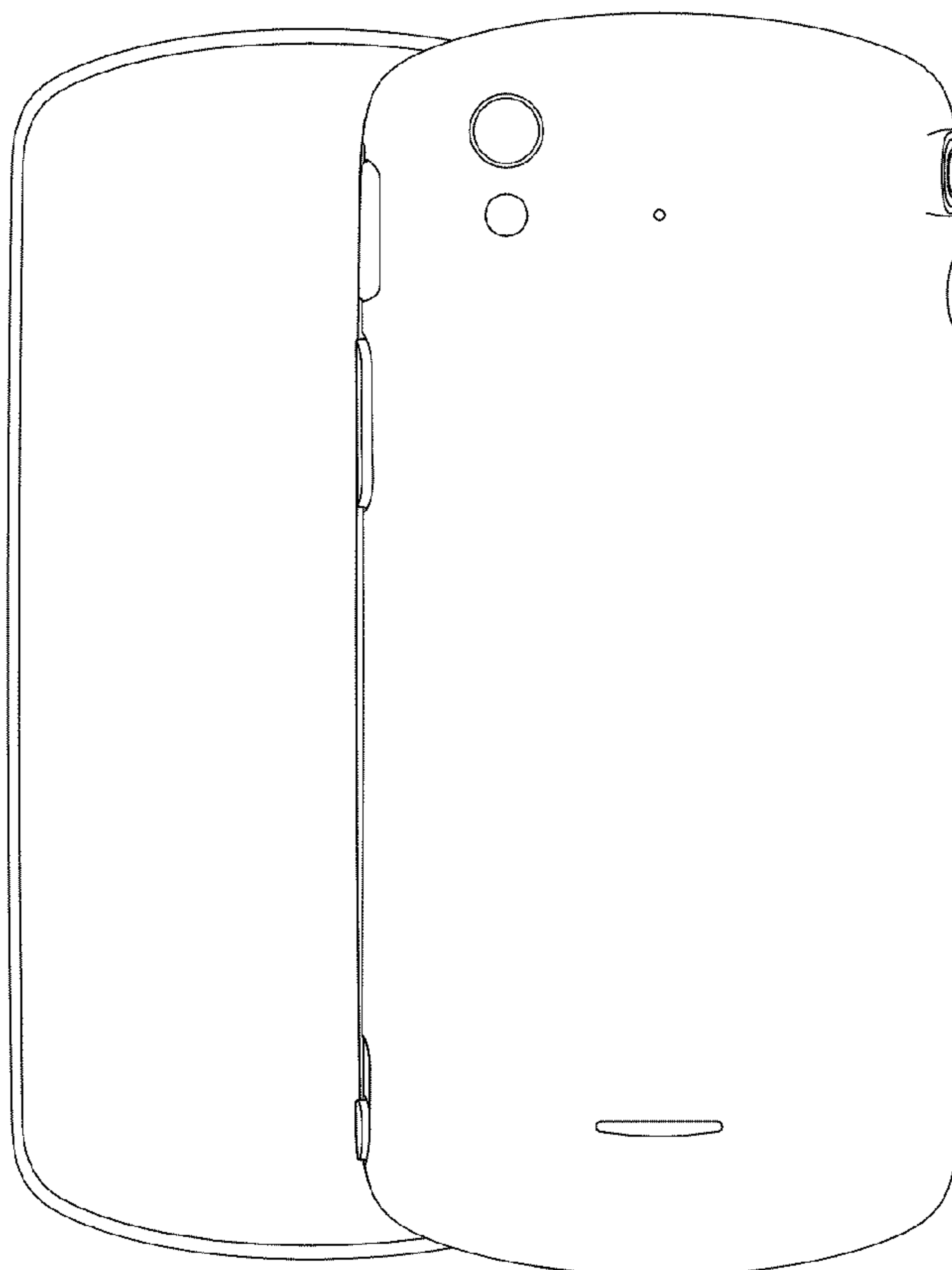


FIG. 10

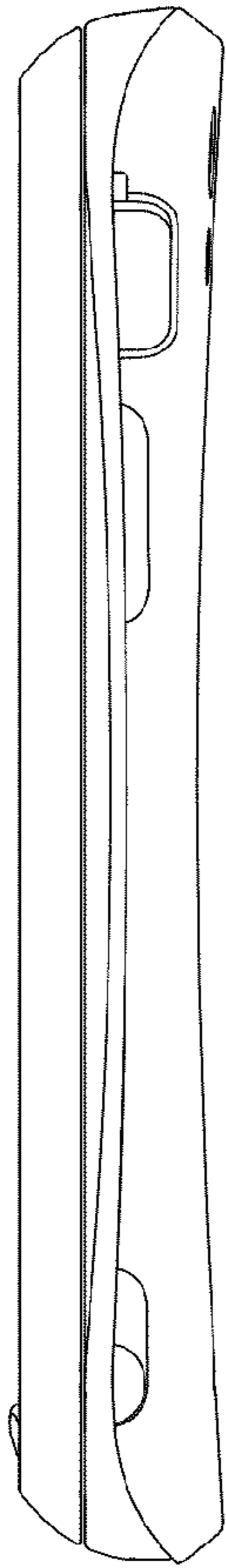


FIG. 11

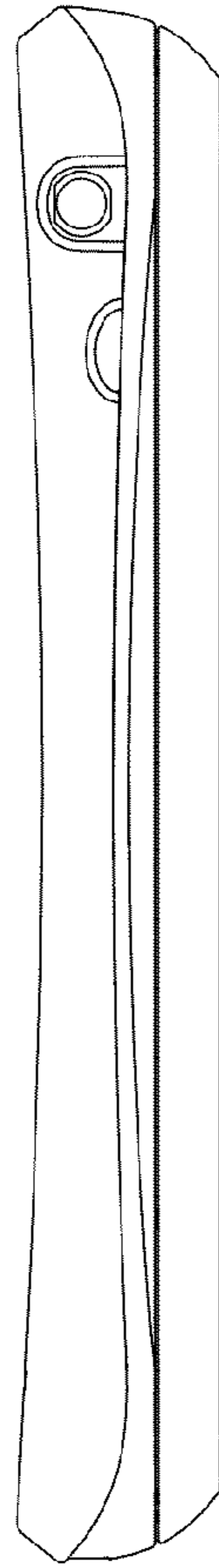


FIG. 12

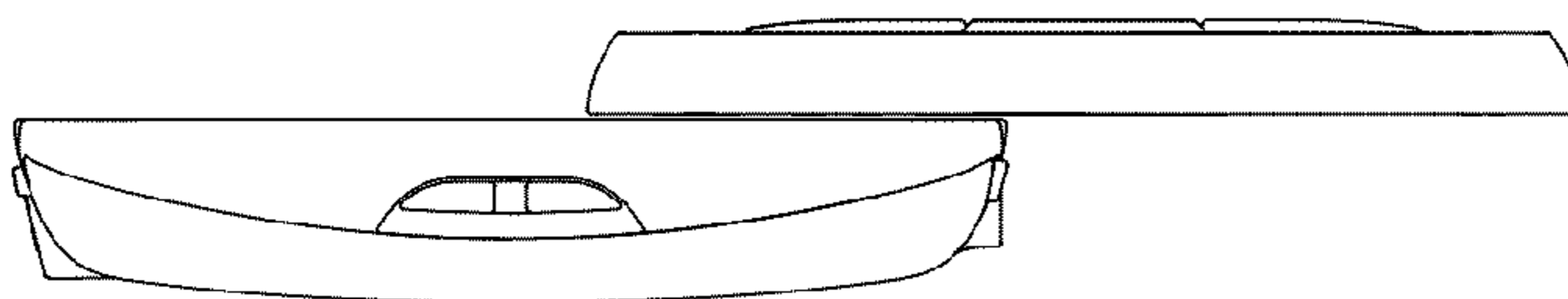


FIG. 13

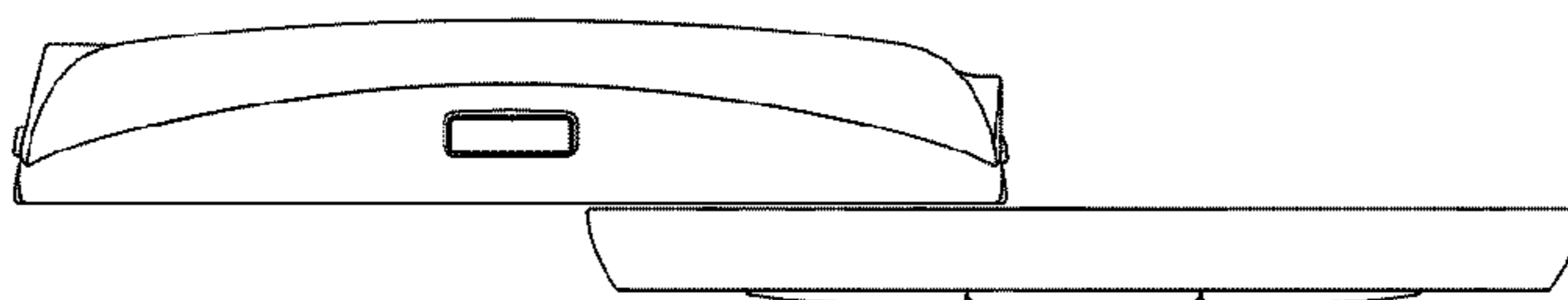


FIG. 14