



US00D651184S

(12) **United States Design Patent**
Lai et al.

(10) **Patent No.:** **US D651,184 S**

(45) **Date of Patent:** **** *Dec. 27, 2011**

(54) **LIGHT EMITTING DIODE**

(75) Inventors: **Chih-Ming Lai**, Miao-Li Hsien (TW);
Ming-Young Shiao, Miao-Li Hsien
(TW); **Hong-Bin Yang**, Miao-Li Hsien
(TW)

(73) Assignee: **Foxsemicon Integrated Technology,
Inc**, Chu-Nan, Miao-Li Hsien (TW)

(*) Notice: This patent is subject to a terminal dis-
claimer.

(**) Term: **14 Years**

(21) Appl. No.: **29/361,060**

(22) Filed: **May 5, 2010**

Related U.S. Application Data

(63) Continuation of application No. 29/353,200, filed on
Jan. 5, 2010, now Pat. No. Des. 622,232.

(30) **Foreign Application Priority Data**

Oct. 26, 2009 (CN) 2009 3 0321316

(51) **LOC (9) Cl.** **13-03**

(52) **U.S. Cl.** **D13/180**

(58) **Field of Classification Search** D13/180;
D26/2; 257/79, 80, 81, 88, 89, 95, 98, 99,
257/100, E33.058; 313/483, 498, 500; 362/555,
362/800

See application file for complete search history.

(56) **References Cited**

U.S. PATENT DOCUMENTS

6,376,902 B1 * 4/2002 Arndt 257/678
D471,166 S * 3/2003 Oshio et al. D13/182
6,686,609 B1 * 2/2004 Sung 257/100
D488,137 S * 4/2004 Kamada D13/182
D491,899 S * 6/2004 Yagi D13/180

D494,550 S * 8/2004 Hoshiba D13/180
D495,304 S * 8/2004 Kim et al. D13/180
D505,398 S * 5/2005 Nakashima D13/180
D510,913 S * 10/2005 Sumitani D13/180
7,102,213 B2 * 9/2006 Sorg 257/667
7,176,612 B2 * 2/2007 Omoto et al. 313/487
D568,261 S * 5/2008 Lee et al. D13/180
7,385,227 B2 * 6/2008 Mok et al. 257/98
D576,966 S * 9/2008 Ng et al. D13/180
7,514,724 B2 * 4/2009 Ng et al. 257/99
7,547,583 B2 * 6/2009 Ng et al. 438/123
D599,749 S * 9/2009 Bando D13/180
D602,451 S * 10/2009 Gielen D13/180
7,635,915 B2 * 12/2009 Xie et al. 257/692
D611,011 S * 3/2010 Ariizumi D13/180
7,675,145 B2 * 3/2010 Wong et al. 257/676
7,696,526 B2 * 4/2010 Tay et al. 257/99
7,719,024 B2 * 5/2010 Bando 257/99
D621,800 S * 8/2010 Hsieh D13/180
D622,232 S * 8/2010 Lai et al. D13/180
D624,884 S * 10/2010 Lai et al. D13/180
2002/0163001 A1 * 11/2002 Shaddock 257/79
2004/0201028 A1 * 10/2004 Waitl et al. 257/99

(Continued)

Primary Examiner — Selina Sikder

(74) *Attorney, Agent, or Firm* — Altis Law Group, Inc.

(57) **CLAIM**

The ornamental design for a light emitting diode, as shown
and described.

DESCRIPTION

FIG. 1 is a perspective view of a light emitting diode showing
our new design.

FIG. 2 is a front elevational view thereof.

FIG. 3 is a rear elevational view thereof.

FIG. 4 is a left-side, elevational view thereof.

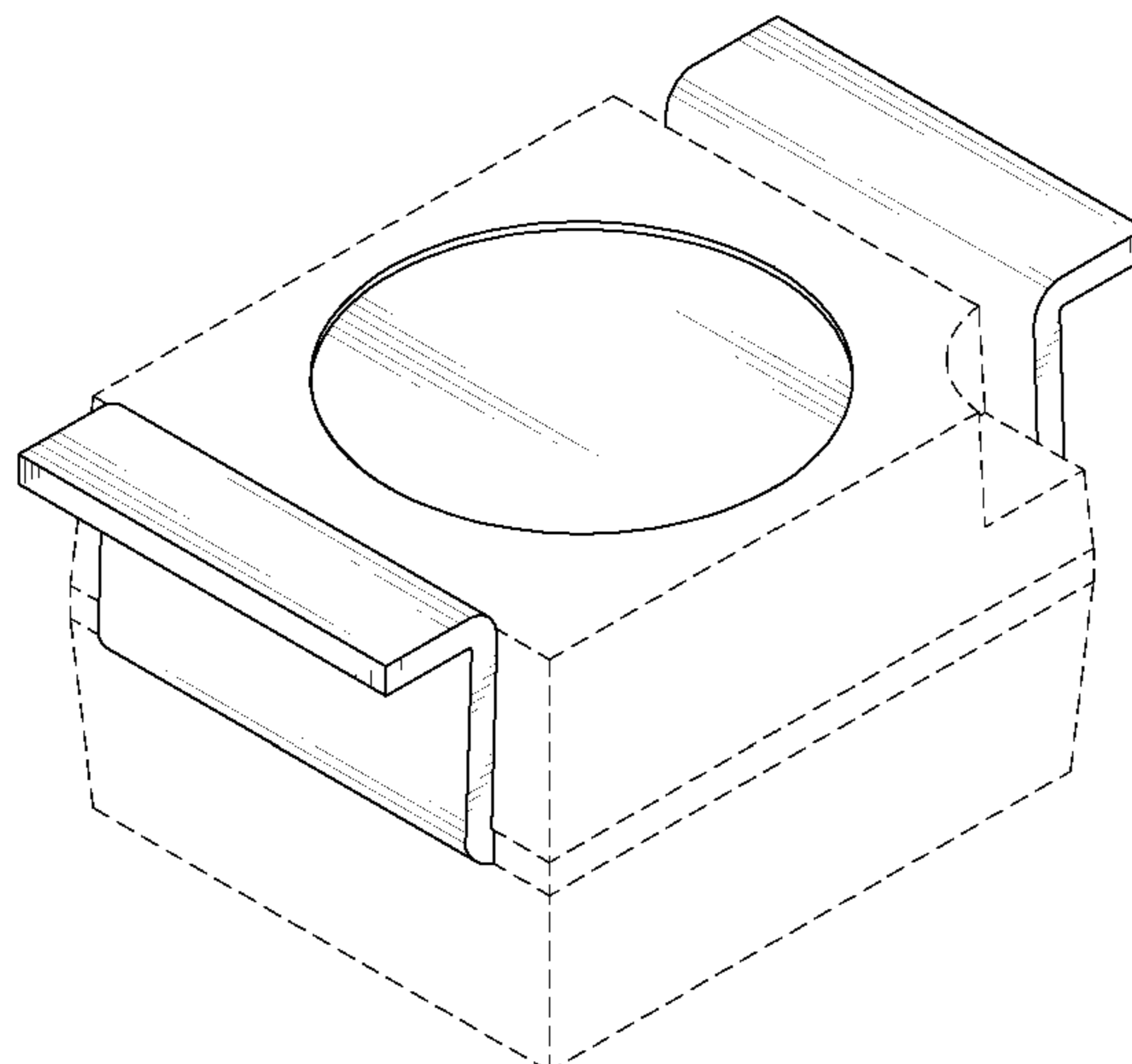
FIG. 5 is a right-side, elevational view thereof.

FIG. 6 is a top plan view thereof; and,

FIG. 7 is a bottom plan view thereof.

The broken lines showing of the environment is for illustra-
tive purpose only and forms no part of the claimed design.

1 Claim, 7 Drawing Sheets



US D651,184 S

Page 2

U.S. PATENT DOCUMENTS

2005/0127816	A1*	6/2005	Sumitani	313/498	2007/0145403	A1*	6/2007	Tomioka et al.	257/99
2006/0163705	A1*	7/2006	Kamikawa et al.	257/676	2007/0252250	A1*	11/2007	Hui et al.	257/672

* cited by examiner

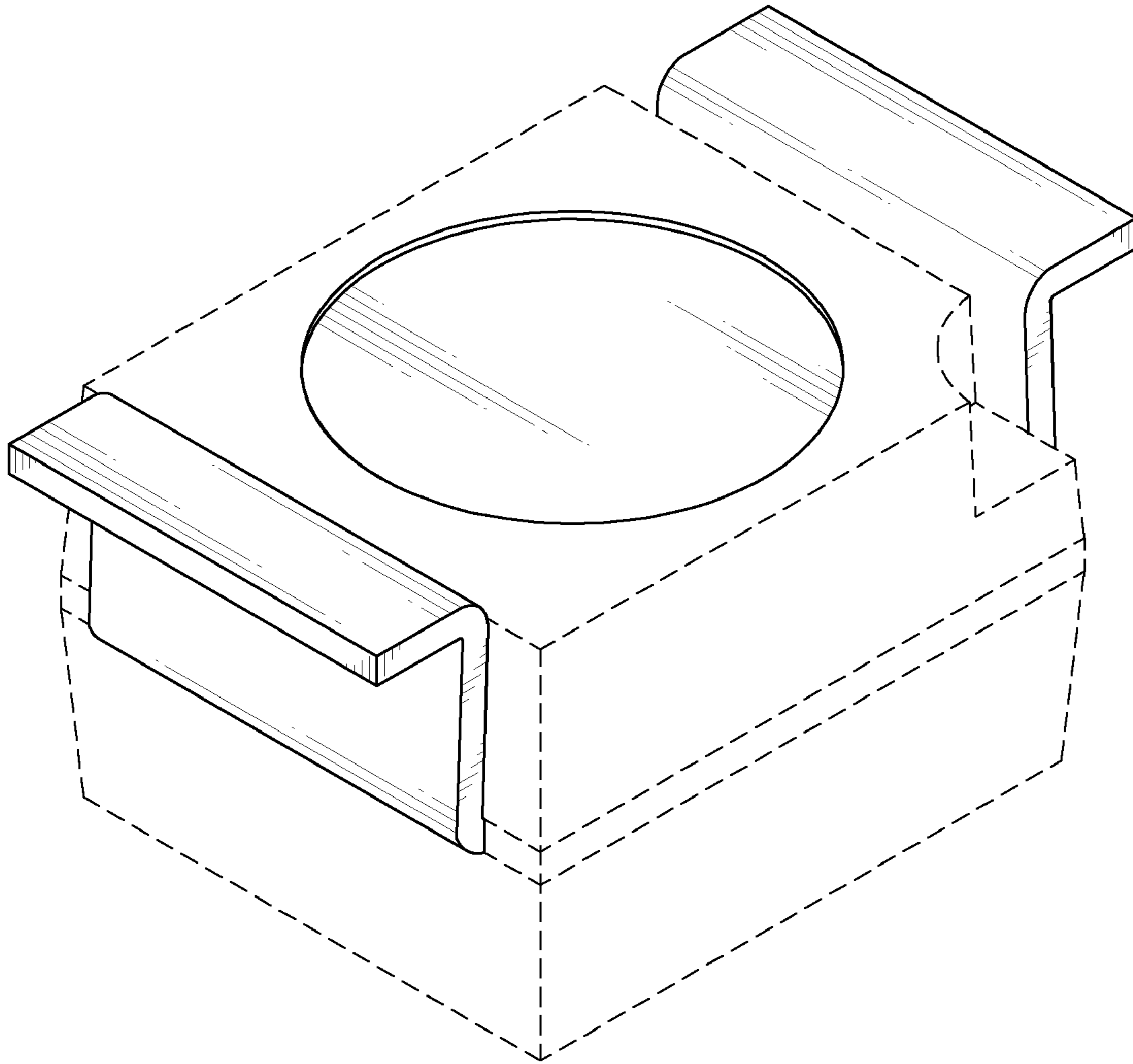


FIG. 1

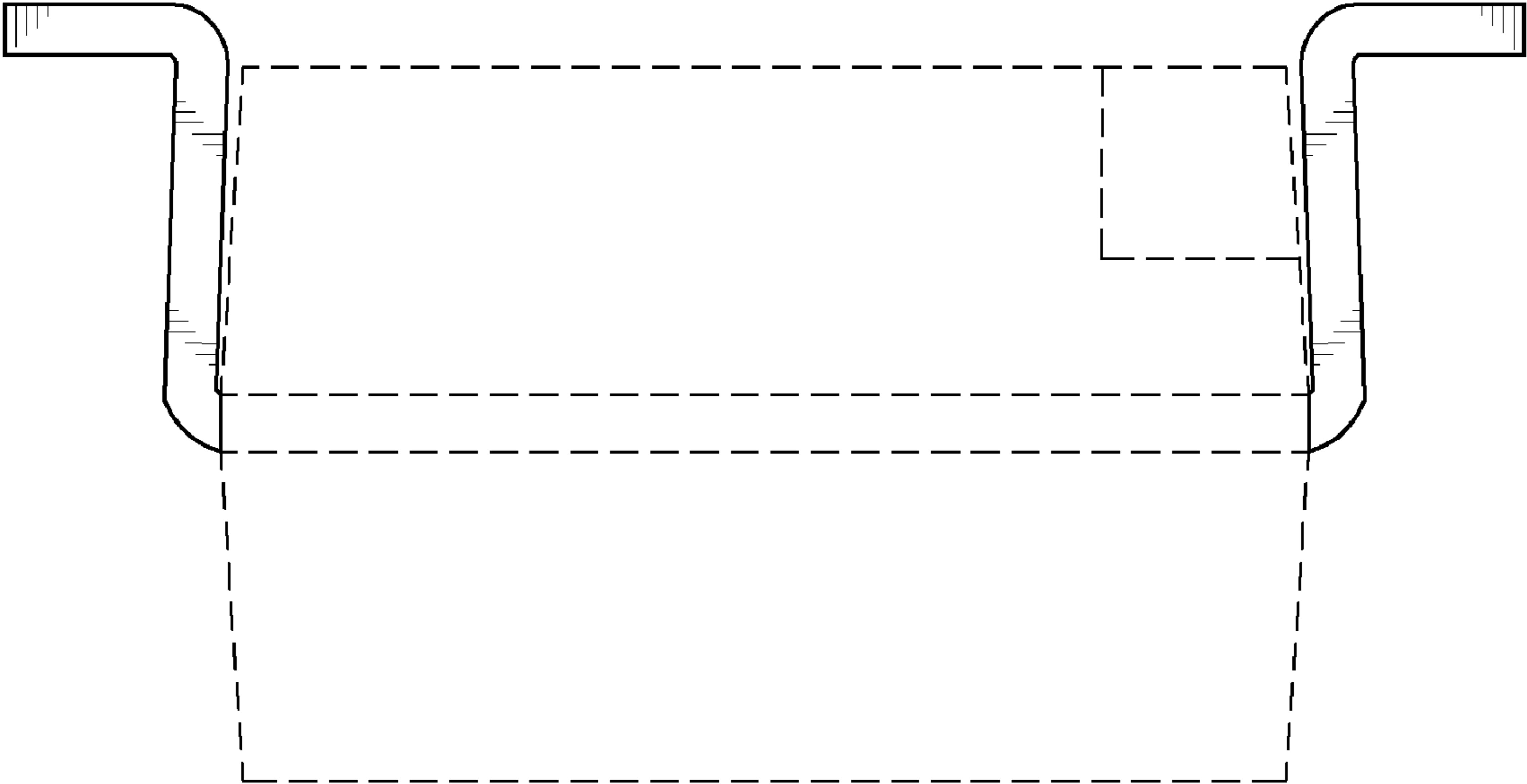


FIG. 2



FIG. 3

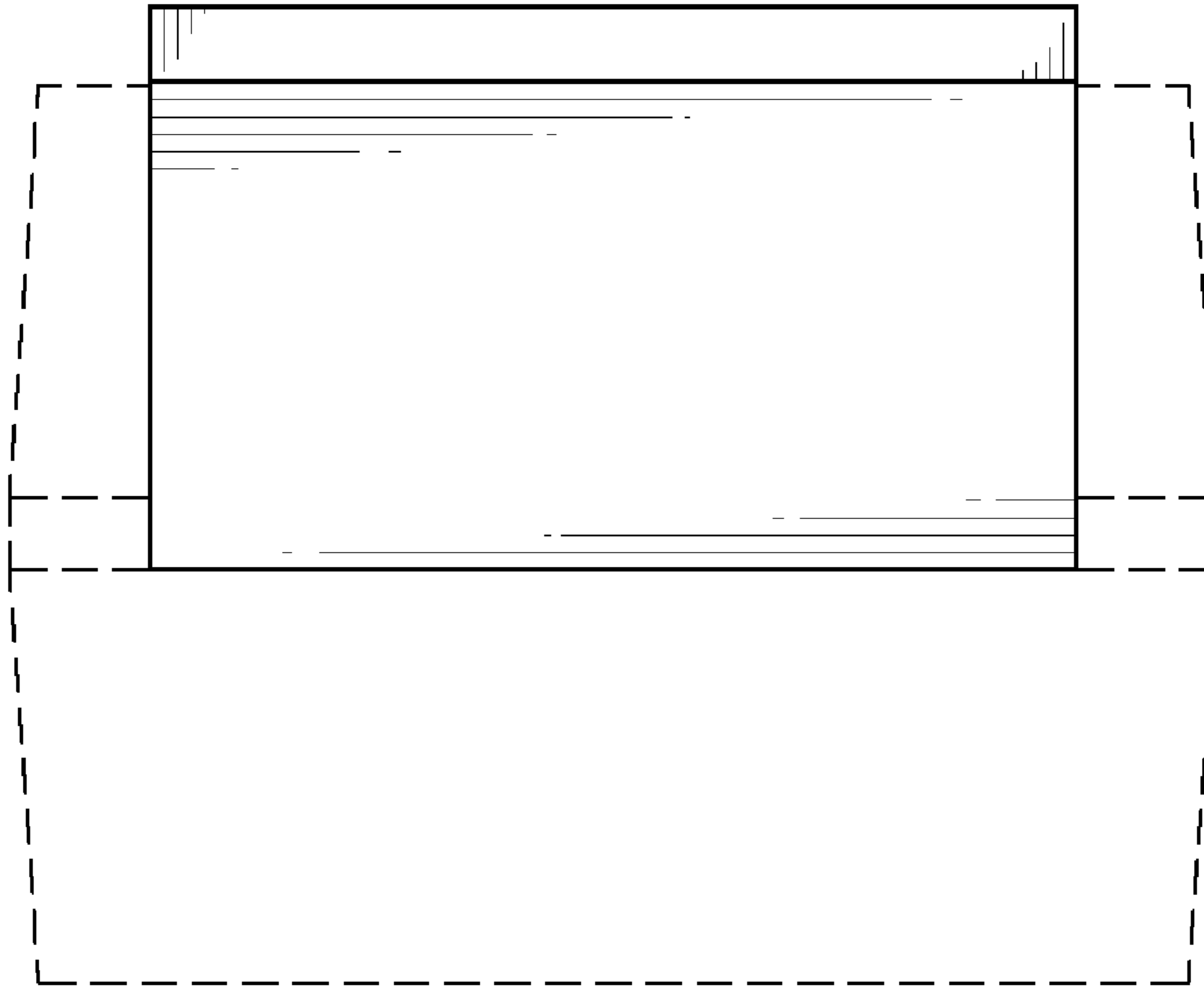


FIG. 4

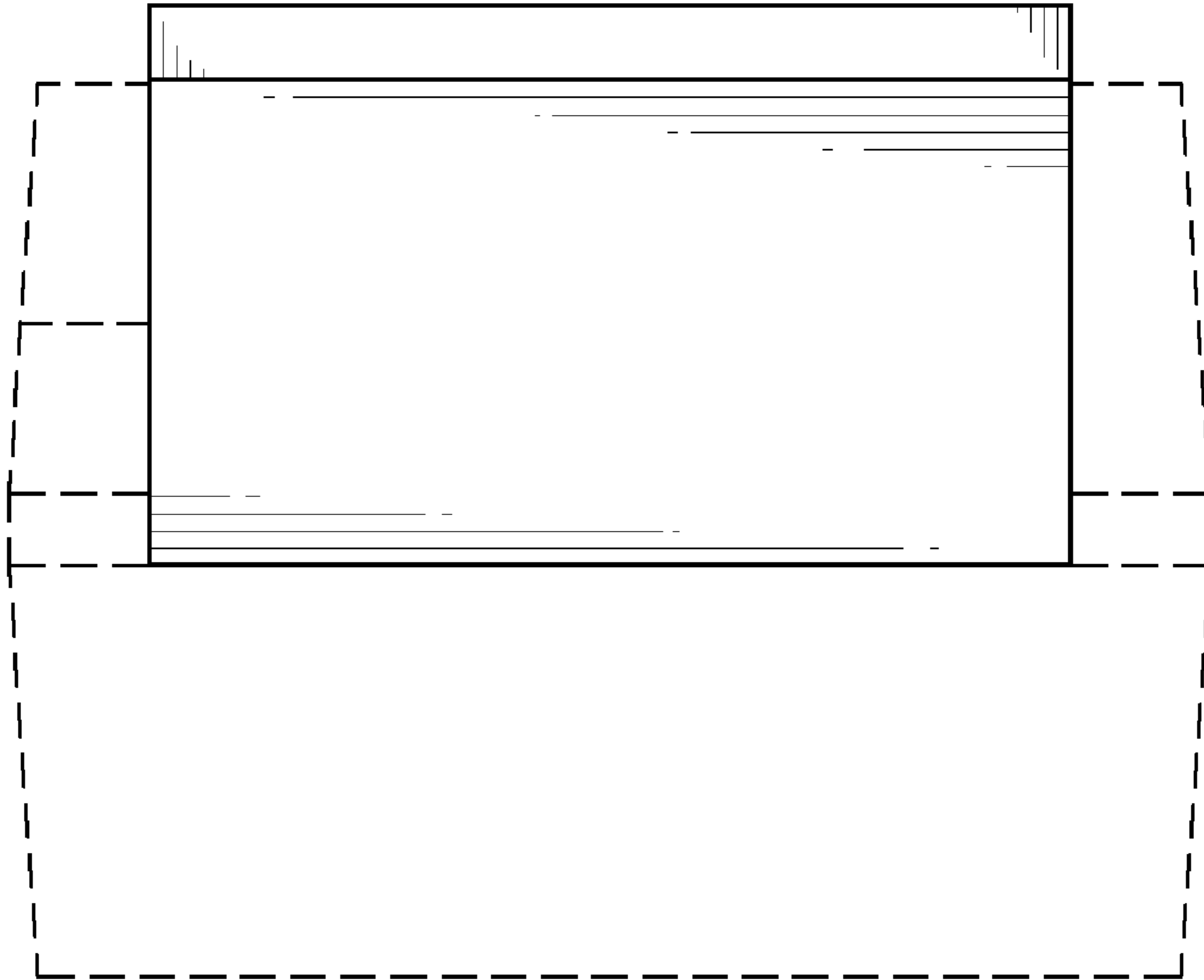


FIG. 5

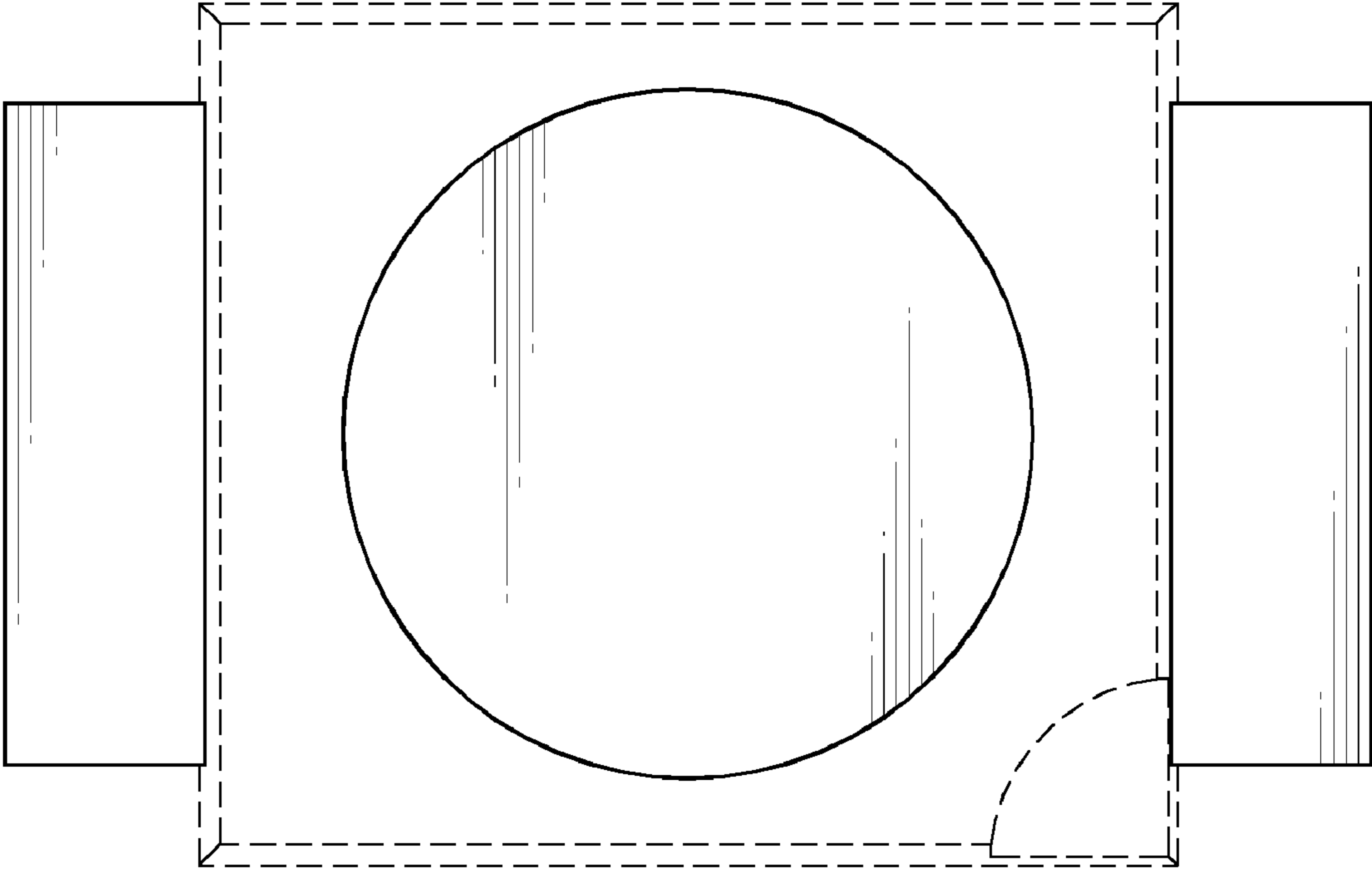


FIG. 6



FIG. 7