



US00D651182S

(12) **United States Design Patent**  
**Alderson et al.**

(10) **Patent No.:** **US D651,182 S**

(45) **Date of Patent:** **\*\* Dec. 27, 2011**

(54) **ELECTRICAL CONTROL DEVICE**

(75) Inventors: **R. David Alderson**, Morganton, NC (US); **Selin Tansi-Glickman**, Woodbury, NY (US); **Kent D. Pilcher**, Holland, MI (US); **Joel Van Faasen**, Holland, MI (US); **Gordon Stannis**, Holland, MI (US); **Kenneth J. Orr**, West Olive, MI (US); **Yun Wu**, Queens, NY (US)

(73) Assignee: **Leviton Manufacturing Co., Inc.**, Melville, NY (US)

(\*\*) Term: **14 Years**

(21) Appl. No.: **29/360,544**

(22) Filed: **Apr. 27, 2010**

(51) **LOC (9) Cl.** ..... **13-03**

(52) **U.S. Cl.** ..... **D13/169**

(58) **Field of Classification Search** ..... D13/162, D13/169, 173, 174; 174/66; 200/5 R, 5 A, 200/1 B, 525, 553, 329, 335, 332, 339; 338/176; 315/291-296; D8/353; D10/40; D26/26  
See application file for complete search history.

(56) **References Cited**

U.S. PATENT DOCUMENTS

D360,876 S *	8/1995	Hughes	.....	D13/177
5,895,888 A *	4/1999	Arenas et al.	.....	174/66
D416,871 S *	11/1999	Todd	.....	D13/169
D440,946 S *	4/2001	Yu	.....	D13/169
D473,528 S *	4/2003	Wengrower	.....	D13/169
6,875,940 B2	4/2005	Endres et al.		
6,891,117 B1 *	5/2005	Gouhl et al.	.....	200/339
D523,824 S *	6/2006	Lombardi et al.	.....	D13/169
D534,875 S *	1/2007	Wu	.....	D13/169
7,265,308 B2	9/2007	Endres et al.		
7,415,310 B2	8/2008	Bovee et al.		
D576,565 S	9/2008	Chou et al.		
D576,566 S *	9/2008	Wu et al.	.....	D13/169
D576,961 S *	9/2008	Kidman	.....	D13/169
D583,335 S *	12/2008	Ni	.....	D13/169

D595,664 S *	7/2009	Simard et al.	.....	D13/162
D606,028 S *	12/2009	Chou	.....	D13/169
D606,029 S *	12/2009	Chou	.....	D13/169
D609,650 S *	2/2010	Chou et al.	.....	D13/169
7,700,888 B2	4/2010	Kurek et al.		
2003/0226682 A1 *	12/2003	Tufano et al.	.....	174/66
2007/0193863 A1 *	8/2007	Wu	.....	200/61.72
2009/0189542 A1	7/2009	Wu et al.		
2010/0101924 A1	4/2010	Wu et al.		

\* cited by examiner

*Primary Examiner* — Selina Sikder

(74) *Attorney, Agent, or Firm* — Marger Johnson & McCollom PC

(57) **CLAIM**

We claim the ornamental design for an electrical control device, as shown and described.

**DESCRIPTION**

A portion of the disclosure of this patent document contains material which is subject to copyright protection. The copyright owner has no objection to the facsimile reproduction by anyone of the patent disclosure, as it appears in the Patent and Trademark Office patent files or records, but otherwise reserves all copyright rights whatsoever.

FIG. 1 is a perspective view of a first embodiment of a design for an electrical control device;

FIG. 2 is a front elevation view thereof;

FIG. 3 is a top plan view thereof;

FIG. 4 is a bottom plan view thereof;

FIG. 5 is a right side elevation view thereof.

FIG. 6 is a perspective view of a second embodiment of a design for an electrical control device;

FIG. 7 is a front elevation view thereof;

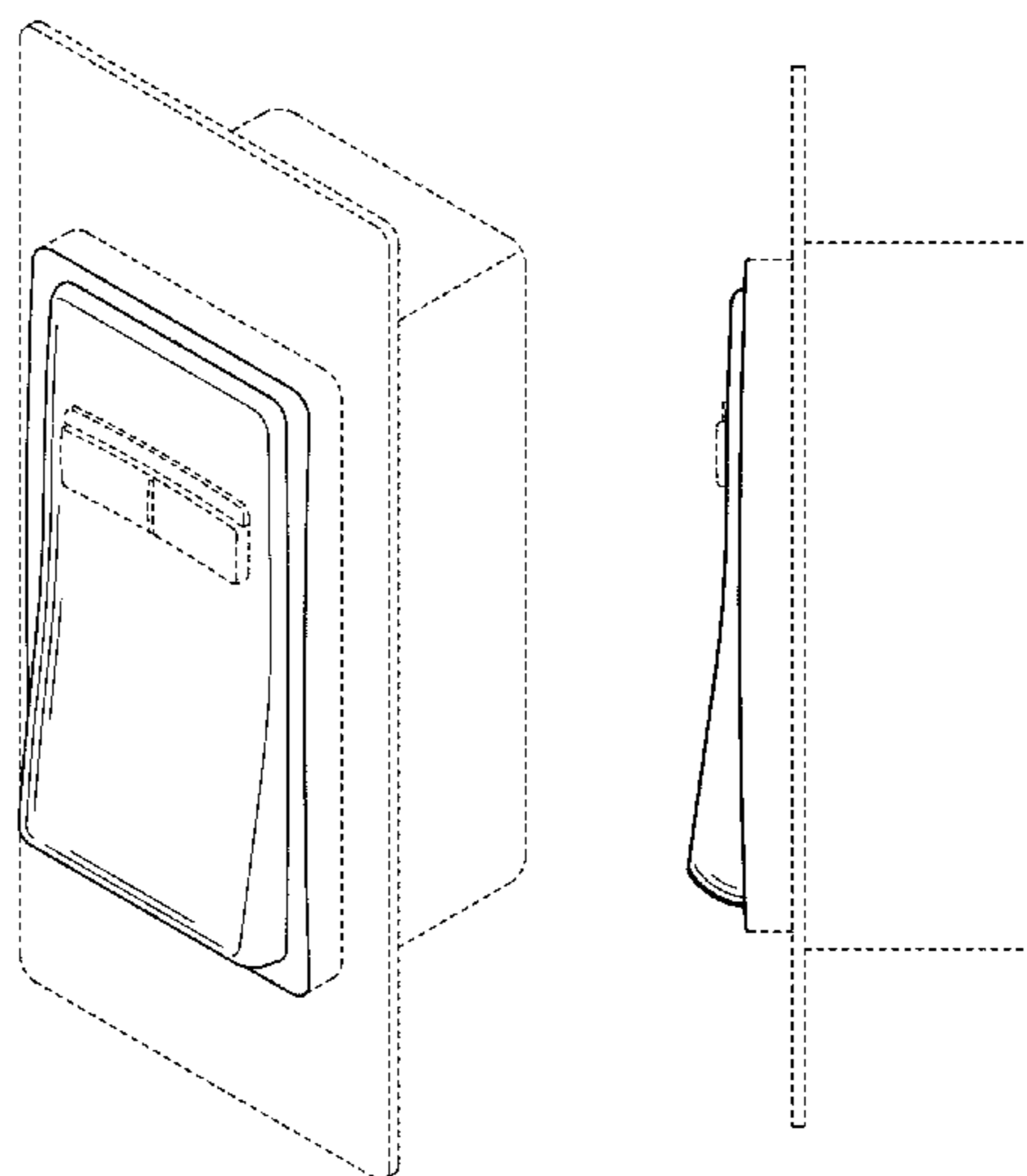
FIG. 8 is a top plan view thereof;

FIG. 9 is a bottom plan view thereof; and,

FIG. 10 is a right side elevation view thereof.

The dashed lines in the figures illustrate environment only and form no part of the claimed design.

**1 Claim, 6 Drawing Sheets**



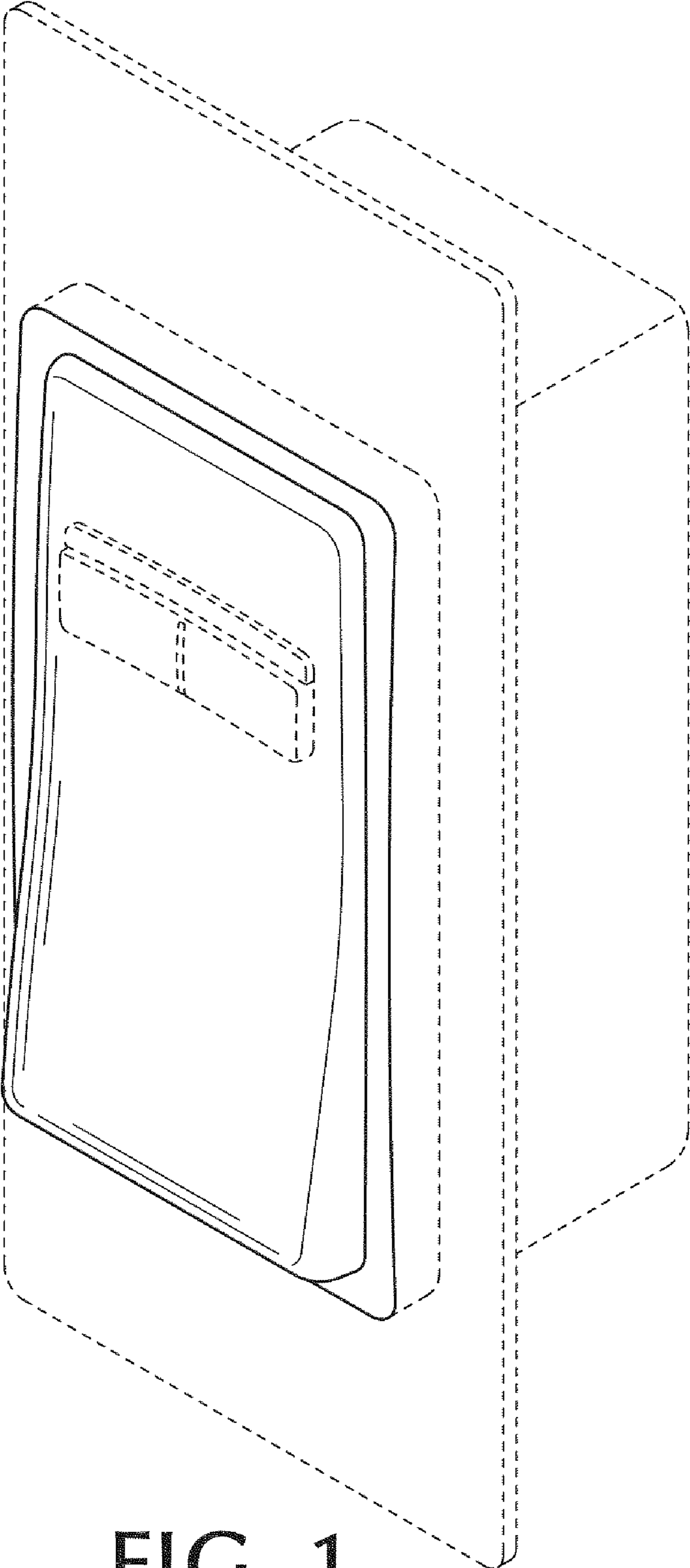


FIG. 1

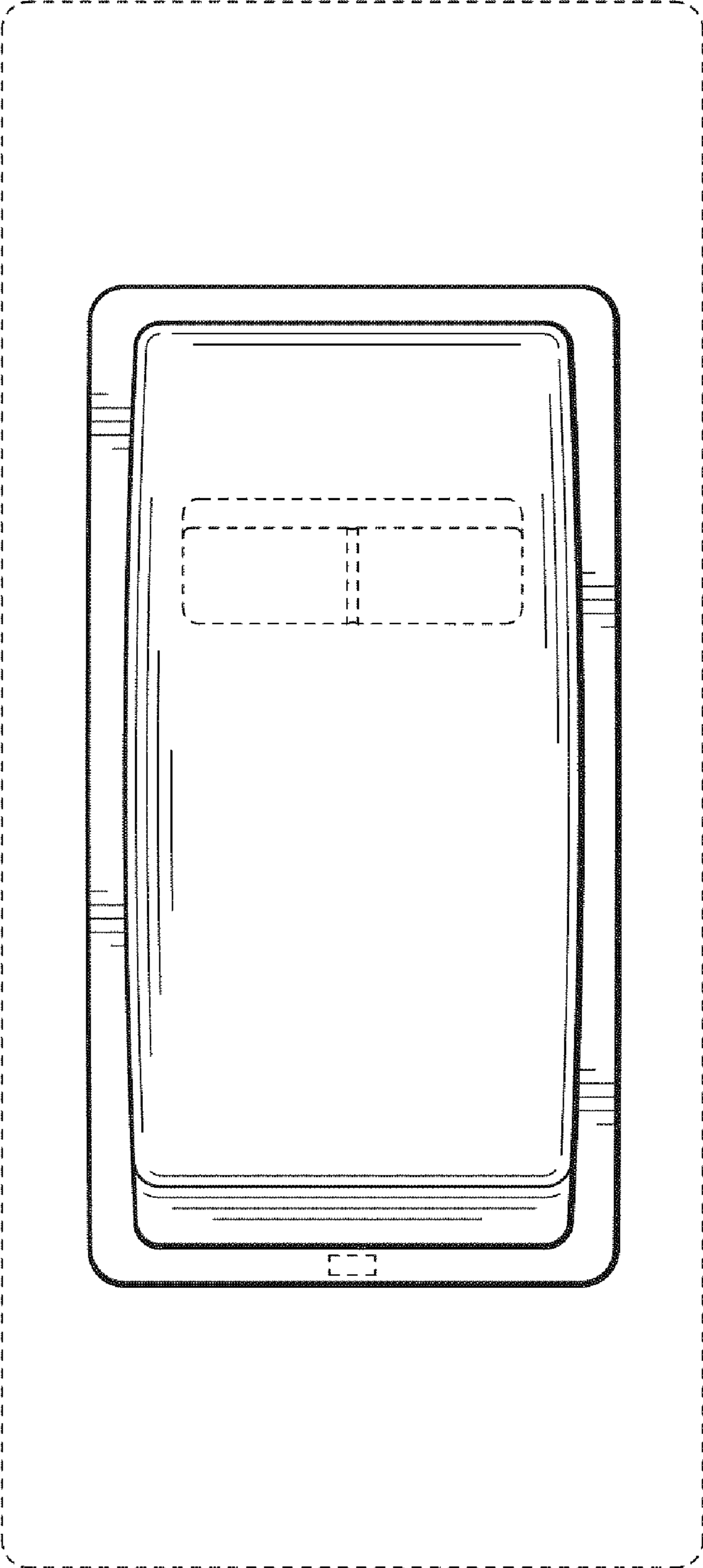


FIG. 2

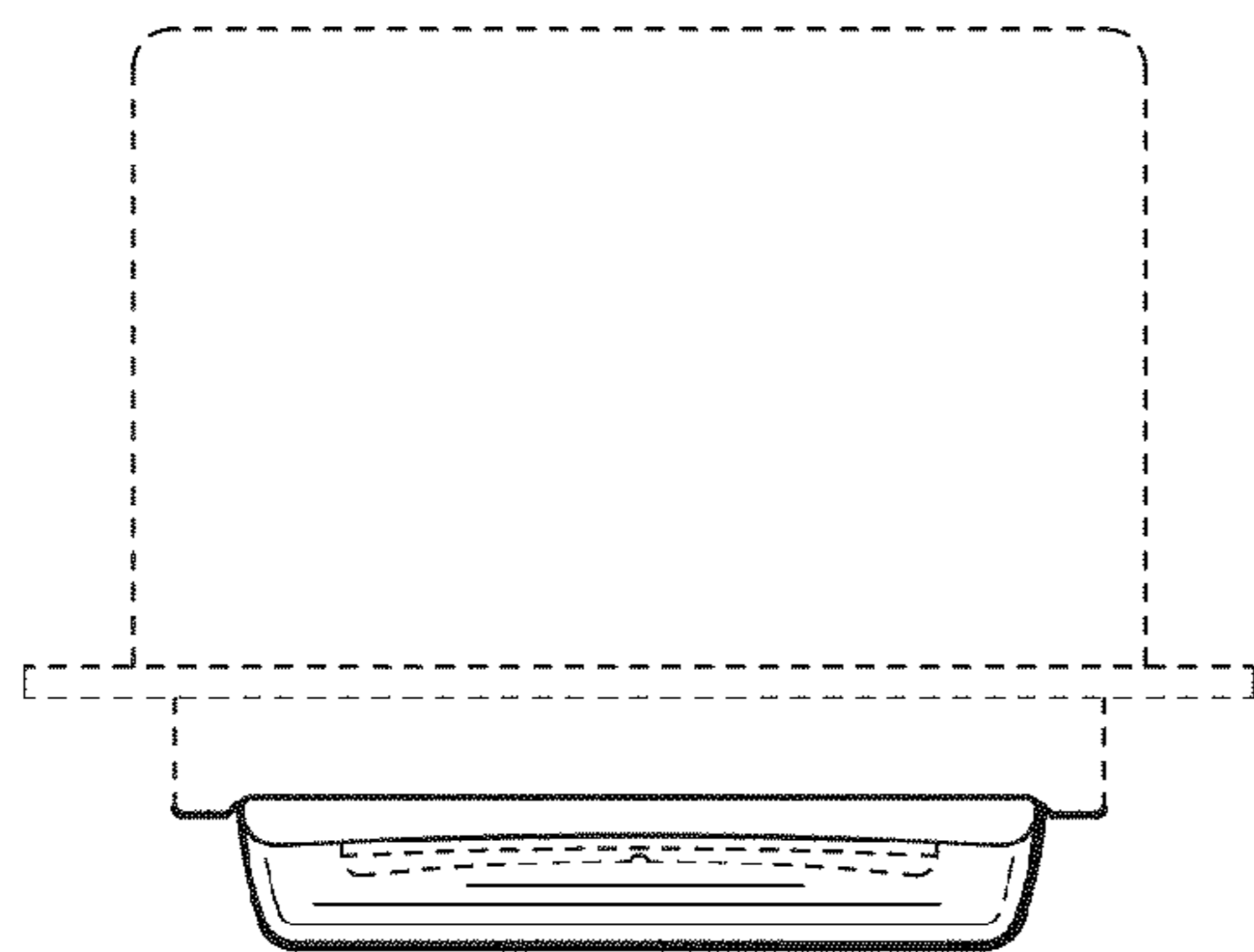


FIG. 3

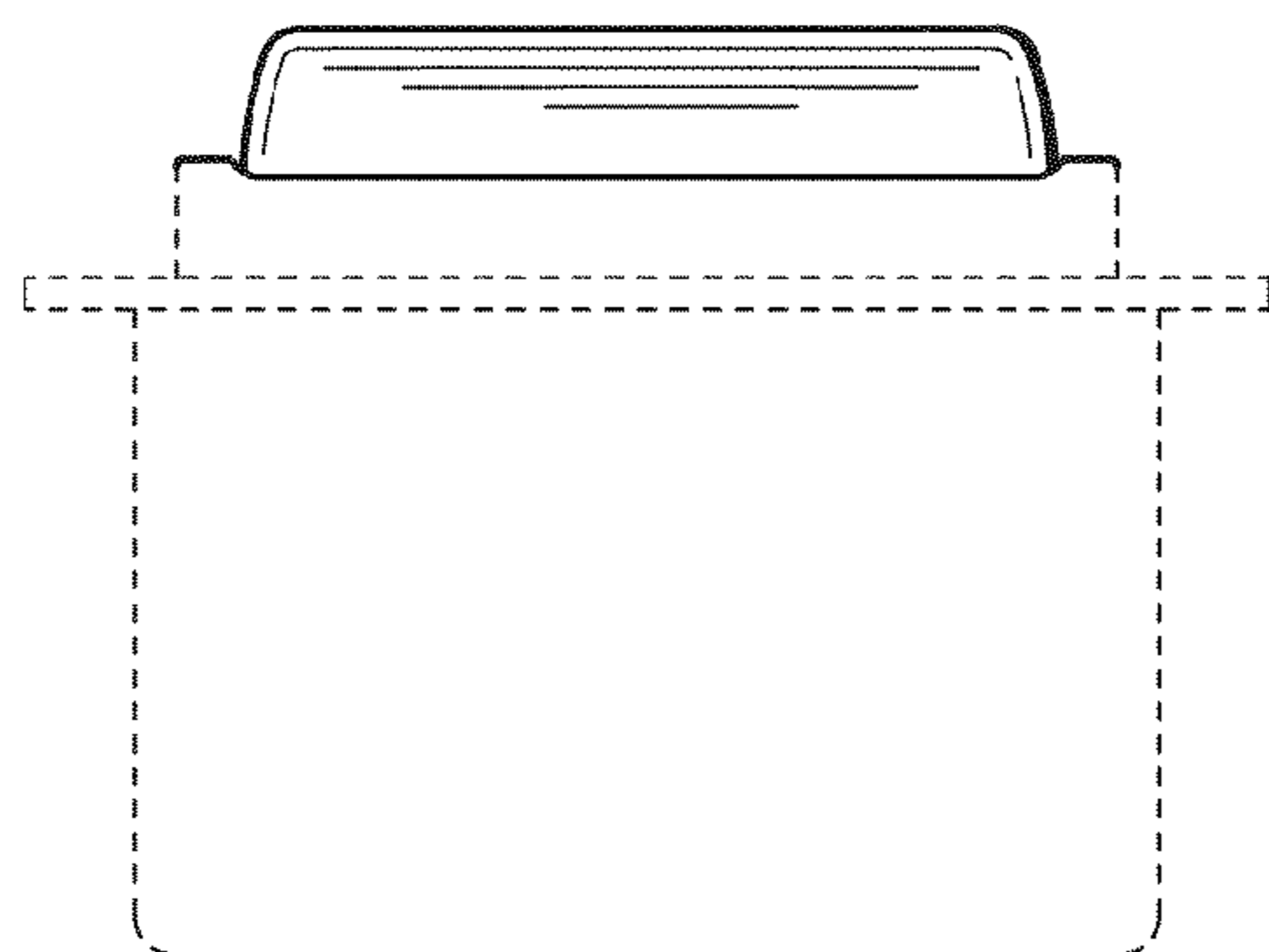


FIG. 4

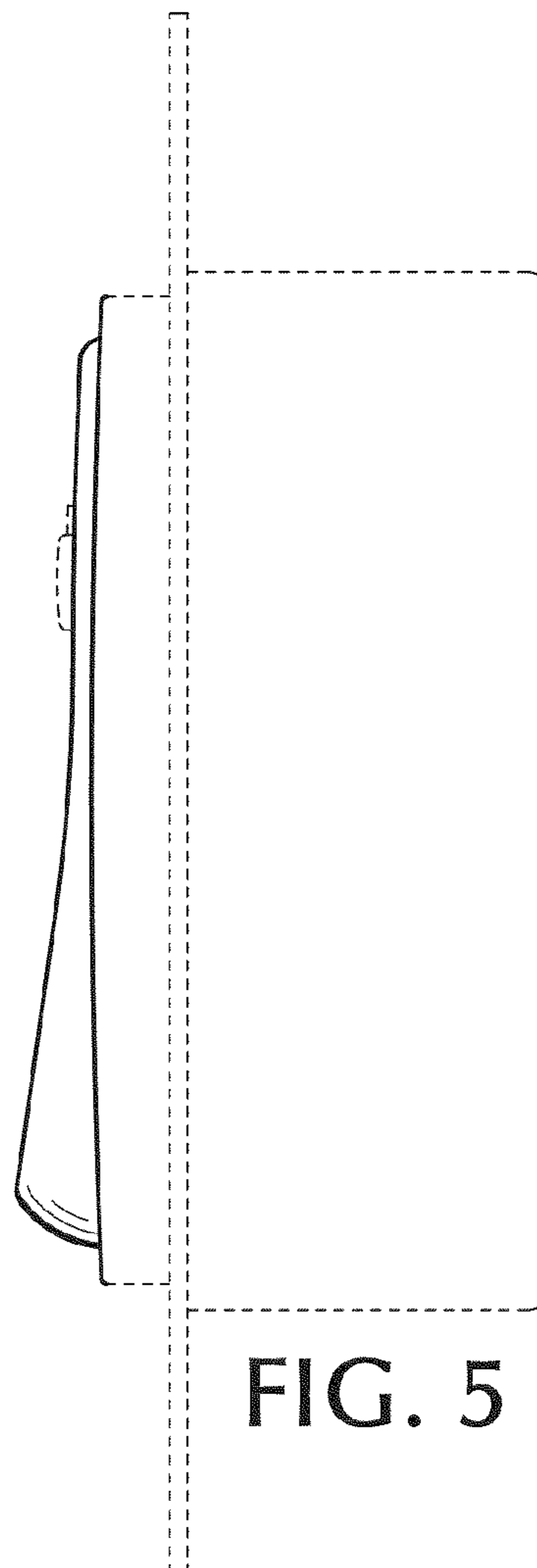


FIG. 5

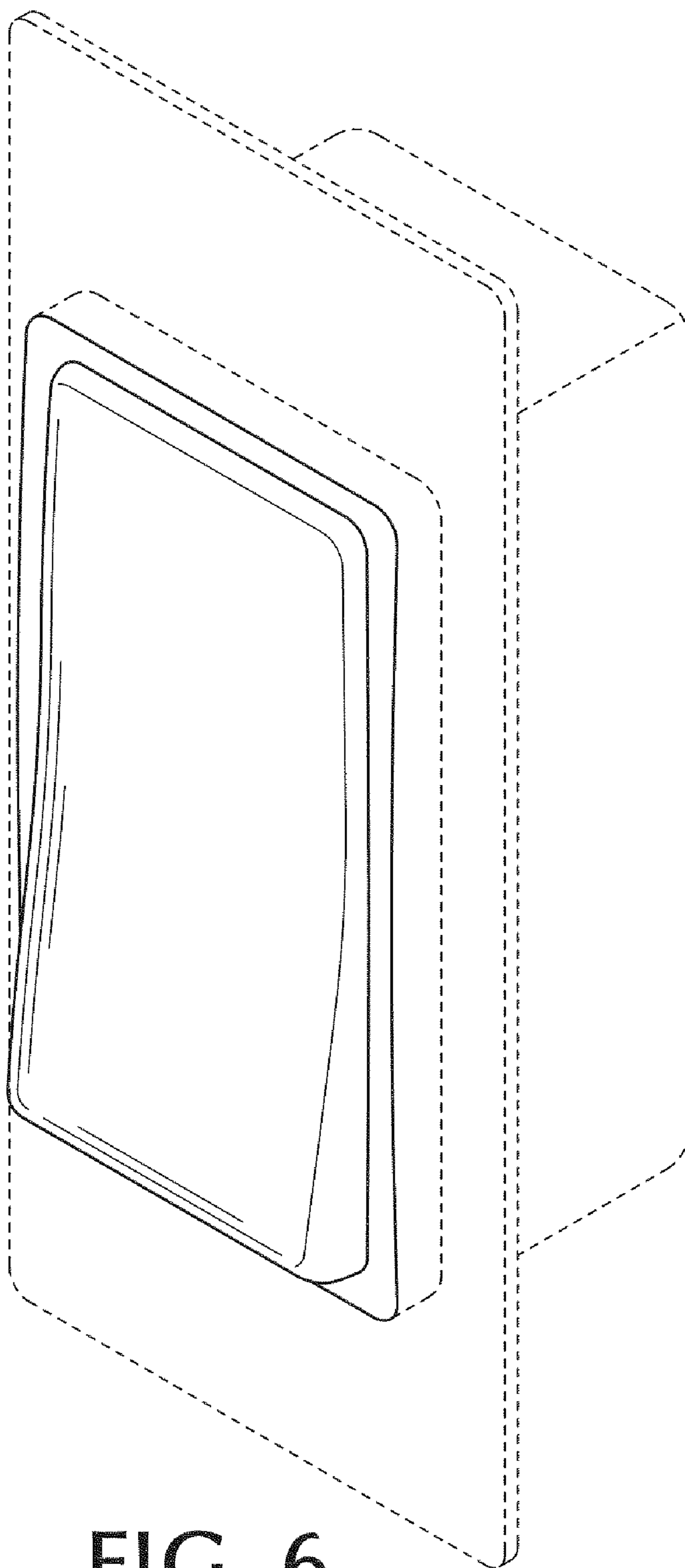


FIG. 6

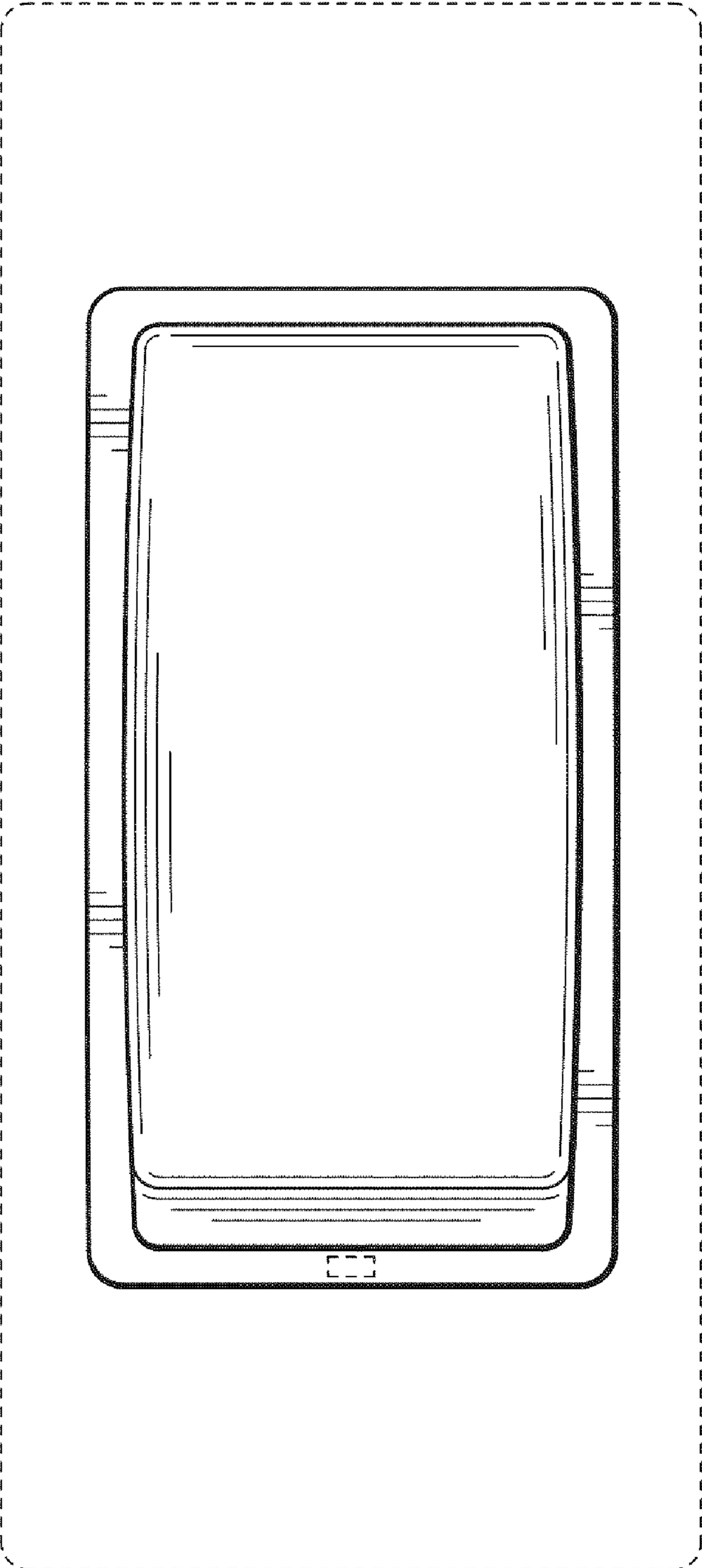


FIG. 7

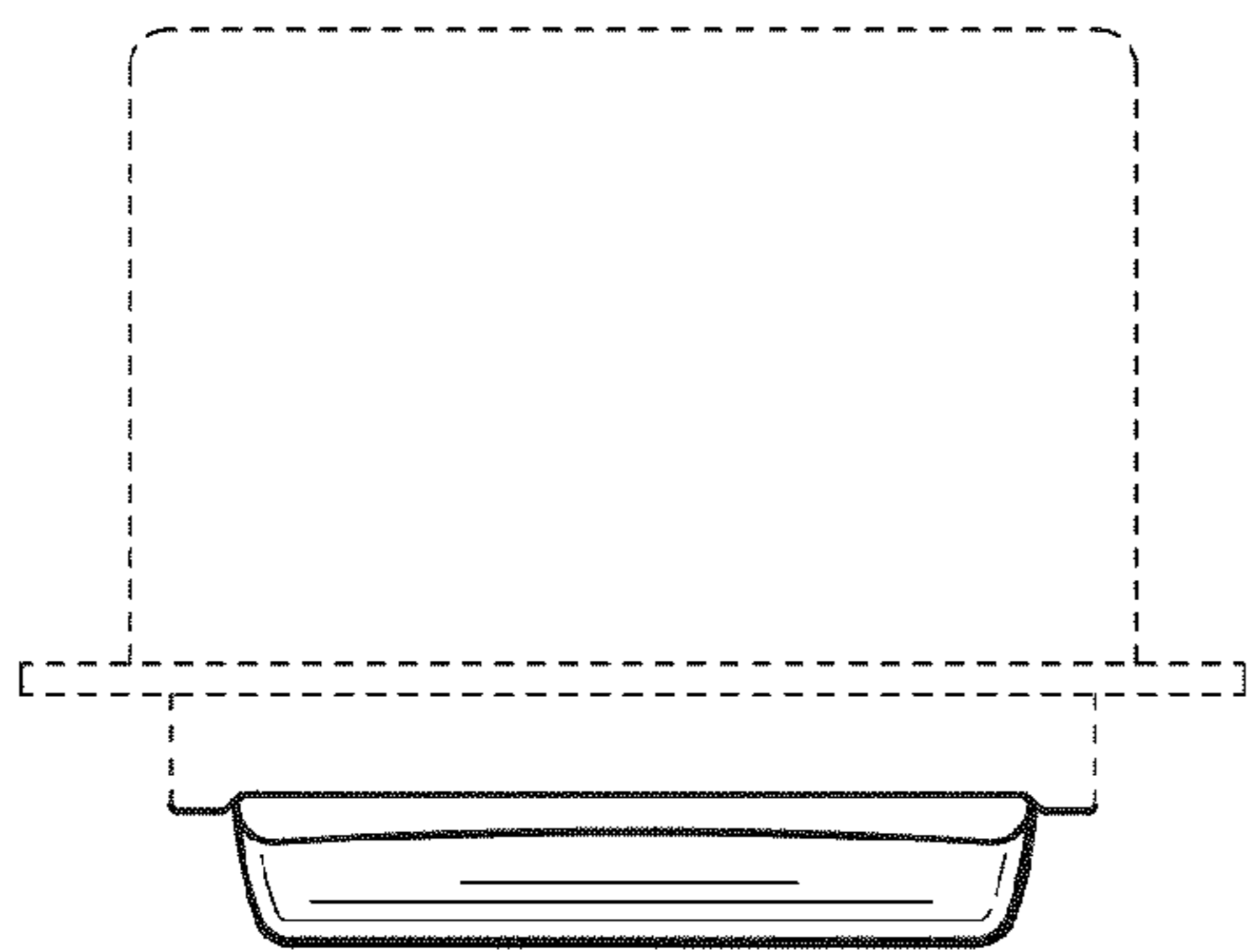


FIG. 8

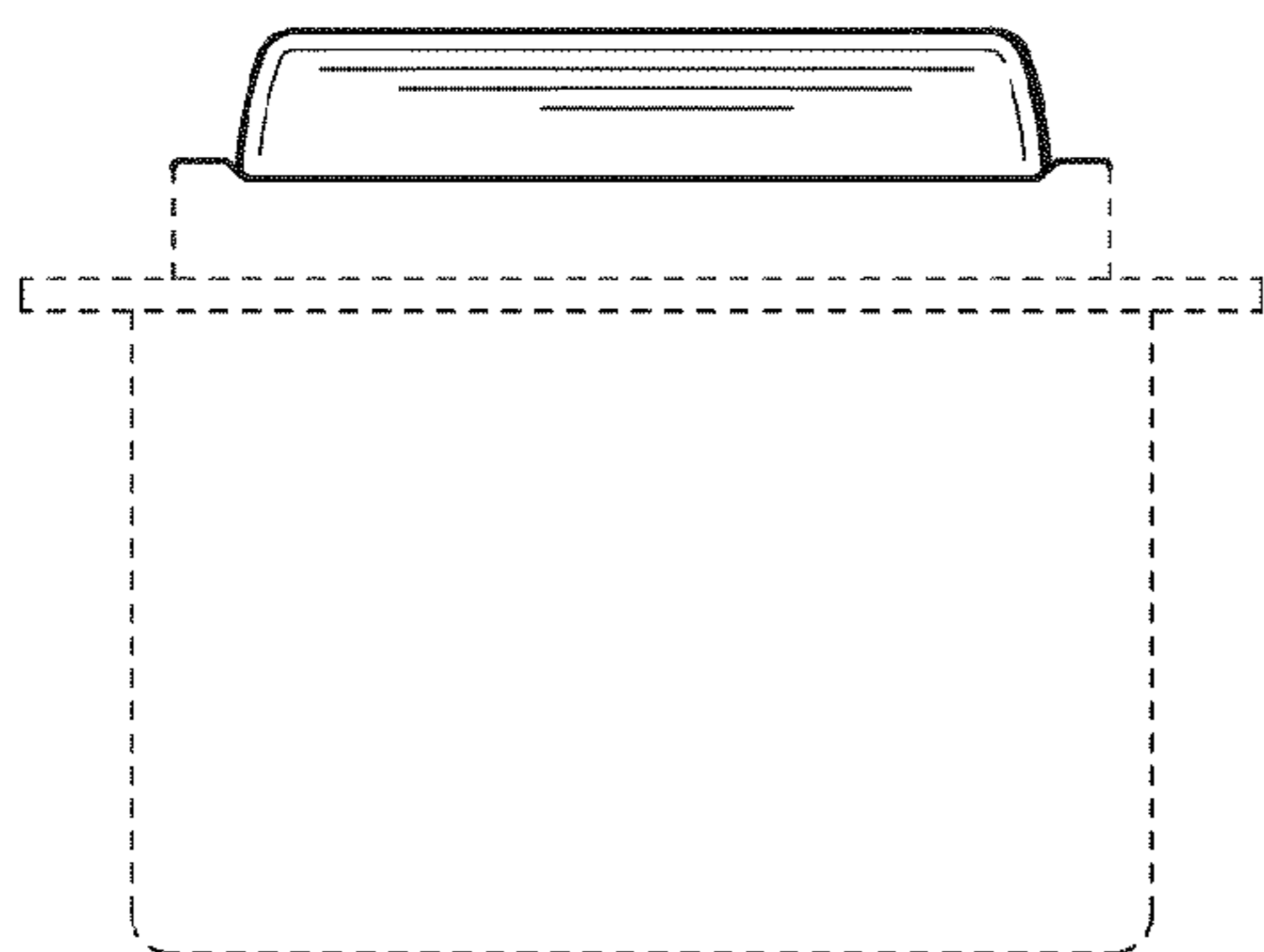


FIG. 9

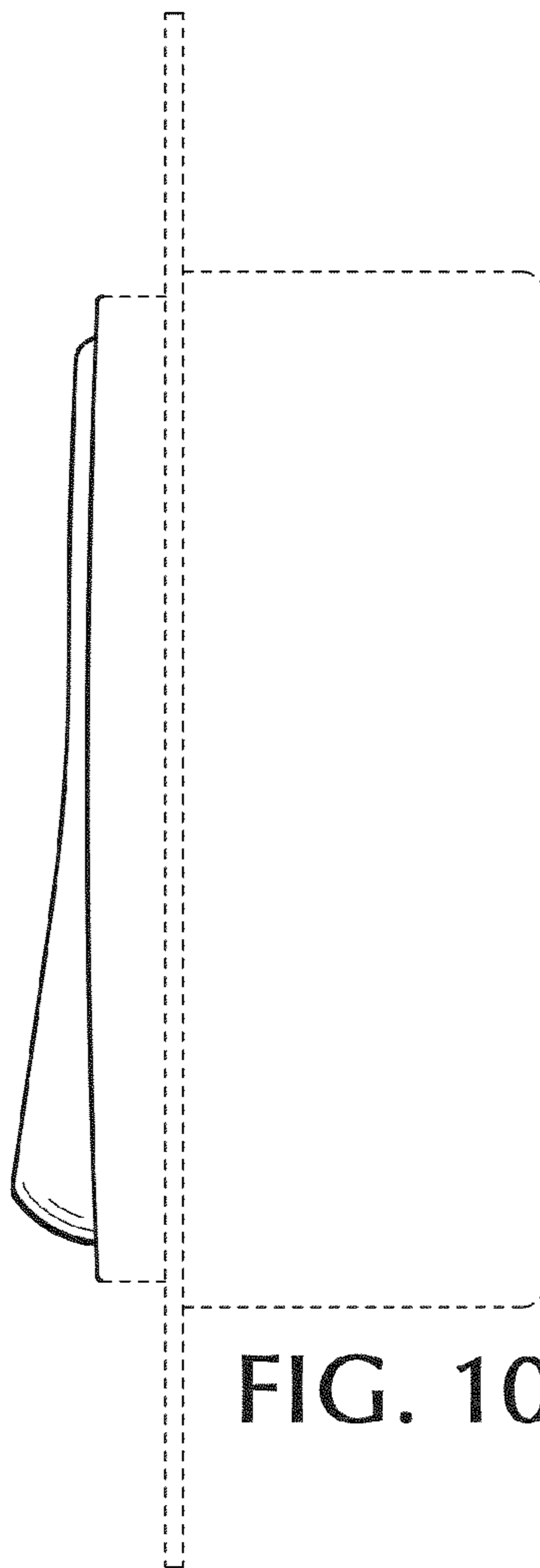


FIG. 10