



US00D651181S

(12) **United States Design Patent**
Schreiber et al.

(10) **Patent No.:** **US D651,181 S**
(45) **Date of Patent:** **** Dec. 27, 2011**

(54) **PRESSURE SWITCH**

(75) Inventors: **Nicole Schreiber**, Aschaffenburg (DE);
Holger Glaab, Goldbach (DE); **Horst Landwehr**, Hanau (DE)

(73) Assignee: **WIKA Alexander Wiegand SE & Co. KG**, Klingenberg (DE)

(**) Term: **14 Years**

(21) Appl. No.: **29/386,124**

(22) Filed: **Feb. 24, 2011**

(30) **Foreign Application Priority Data**

Aug. 25, 2010 (EM) 001746876-0001

(51) **LOC (9) Cl.** **13-03**

(52) **U.S. Cl.** **D13/158**

(58) **Field of Classification Search** D13/120,
D13/158, 160, 162, 164, 177, 184, 199; 218/118,
218/119, 7, 77, 78, 79, 2, 102; 251/172;
361/605, 612; 200/308, 520, 5 A, 5 R, 83,
200/83 Q, 81 R, 81.4; 340/626; D10/85,
D10/96; D23/200, 233, 245, 246
See application file for complete search history.

(56) **References Cited**

U.S. PATENT DOCUMENTS

D299,516 S * 1/1989 Wang D23/200
D477,287 S * 7/2003 Roman D13/162
D554,592 S * 11/2007 Mildes et al. D13/158

D556,696 S * 12/2007 Ruemenapp D13/158
D557,215 S * 12/2007 Kurisaki et al. D13/158
D558,147 S * 12/2007 Ruemenapp D13/158
D558,148 S * 12/2007 Ruemenapp D13/160
D558,149 S * 12/2007 Ruemenapp D13/160
D568,255 S * 5/2008 Kurisaki et al. D13/158
D605,252 S * 12/2009 Lai D23/233
D605,254 S * 12/2009 Lai D23/233
D635,936 S * 4/2011 Reiser et al. D13/158
2010/0181291 A1 * 7/2010 Gentsch 218/139
2010/0206848 A1 * 8/2010 Claus et al. 218/134
2010/0300852 A1 * 12/2010 Gentsch et al. 200/238
2011/0120976 A1 * 5/2011 Gentsch 218/139

* cited by examiner

Primary Examiner — Thomas Johannes

(74) *Attorney, Agent, or Firm* — WPAT, P.C.; Anthony King

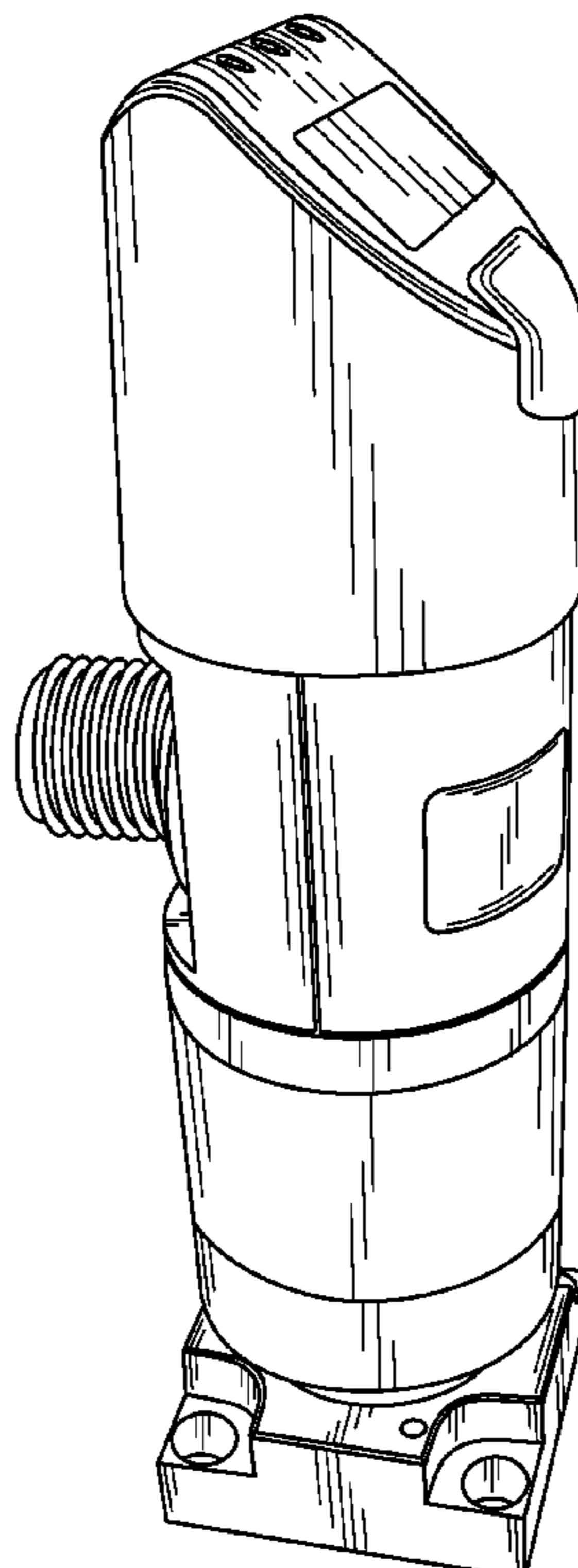
(57) **CLAIM**

We claim, the ornamental design for a pressure switch, as shown and described.

DESCRIPTION

FIG. 1 is a side perspective view of the pressure switch showing my present design;
FIG. 2 is an enlarged bottom view for clarity of detail thereof;
FIG. 3 is a front perspective view thereof;
FIG. 4 is a left view thereof;
FIG. 5 is a front view thereof;
FIG. 6 is a back view thereof; and,
FIG. 7 is an enlarged top view for clarity of detail.
The broken line portion of the figure drawings is included to show unclaimed subject matter only and forms no part of the claimed design.

1 Claim, 7 Drawing Sheets



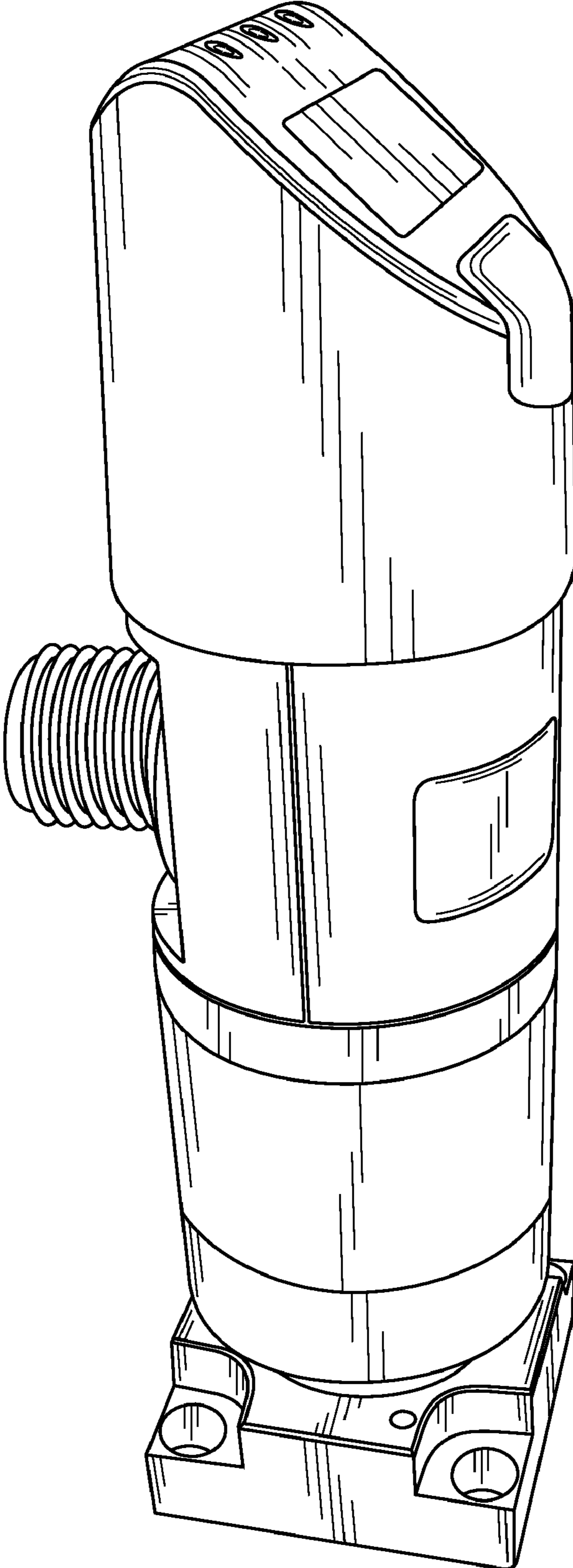


FIG. 1

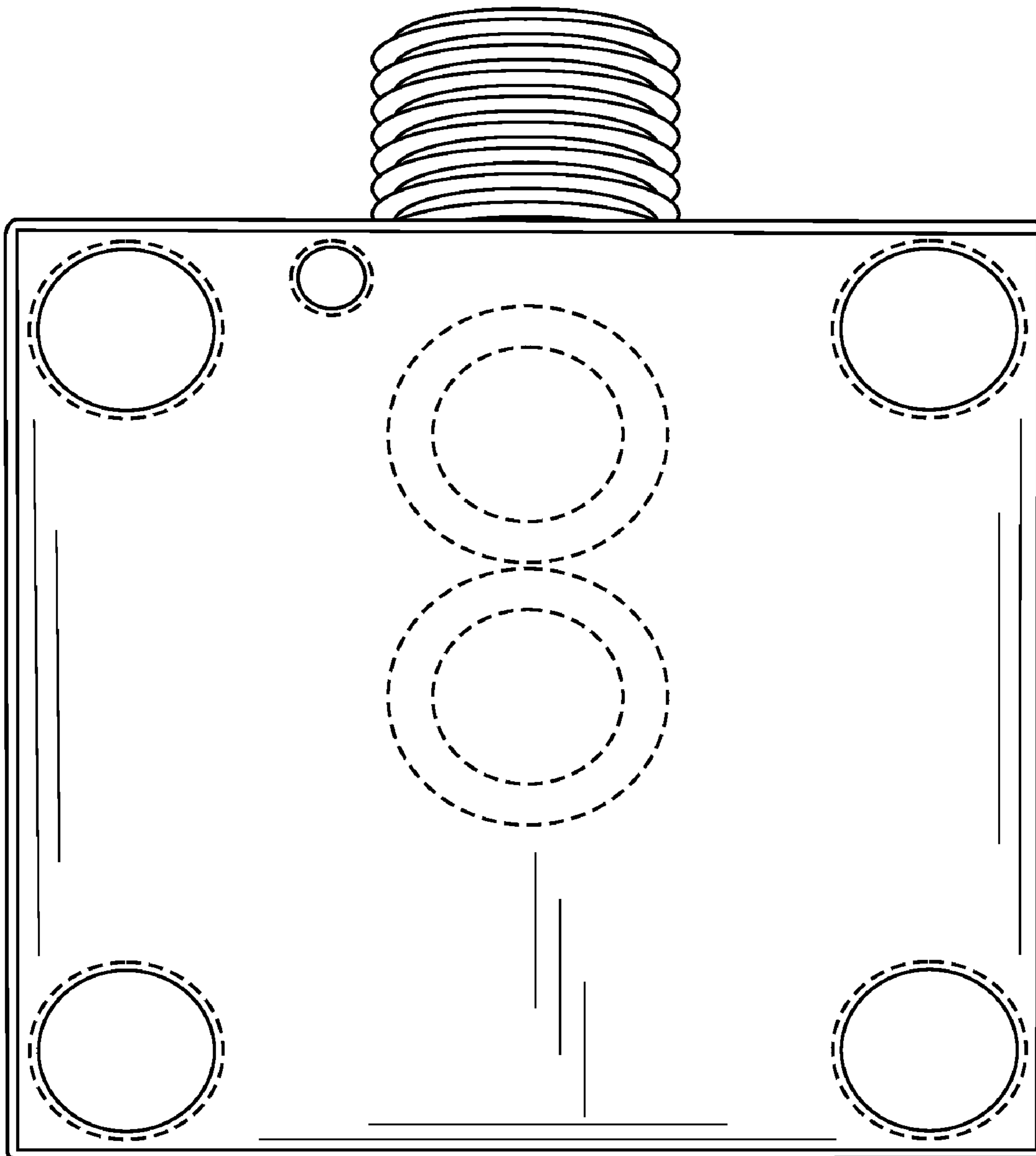


FIG. 2

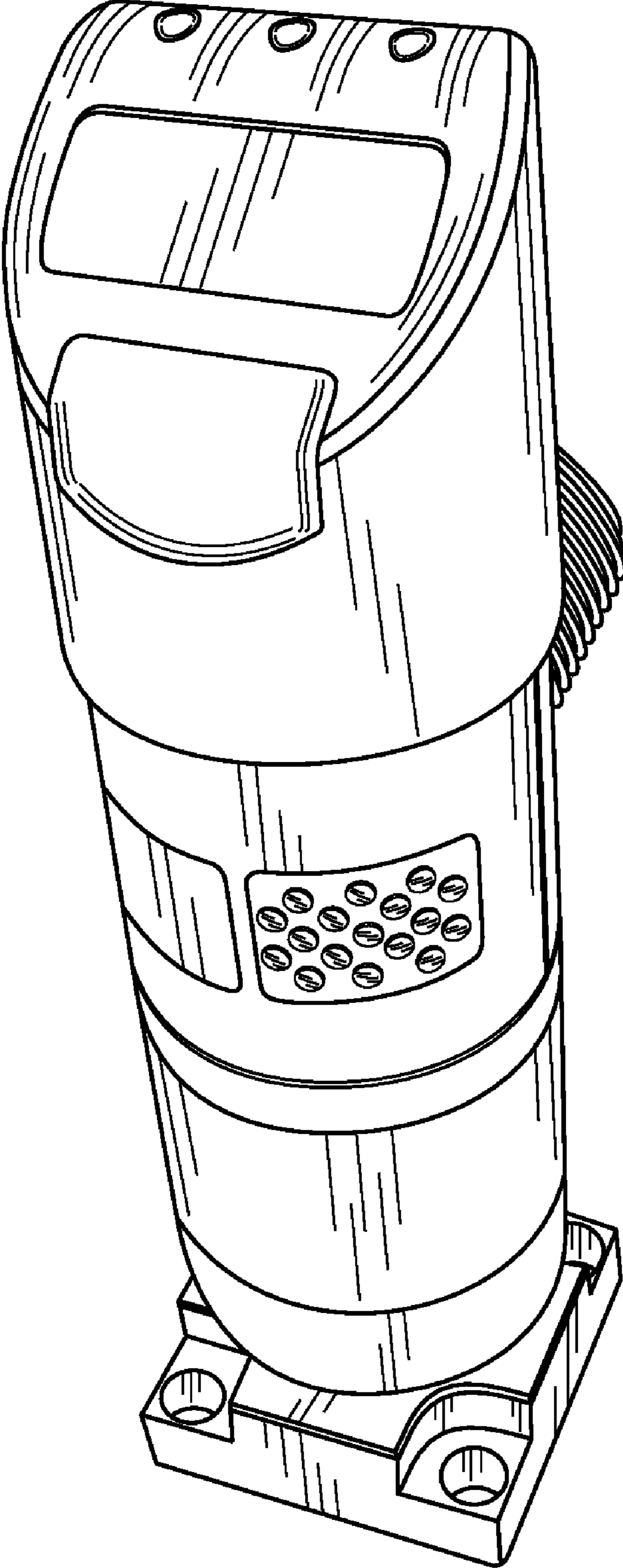


FIG. 3

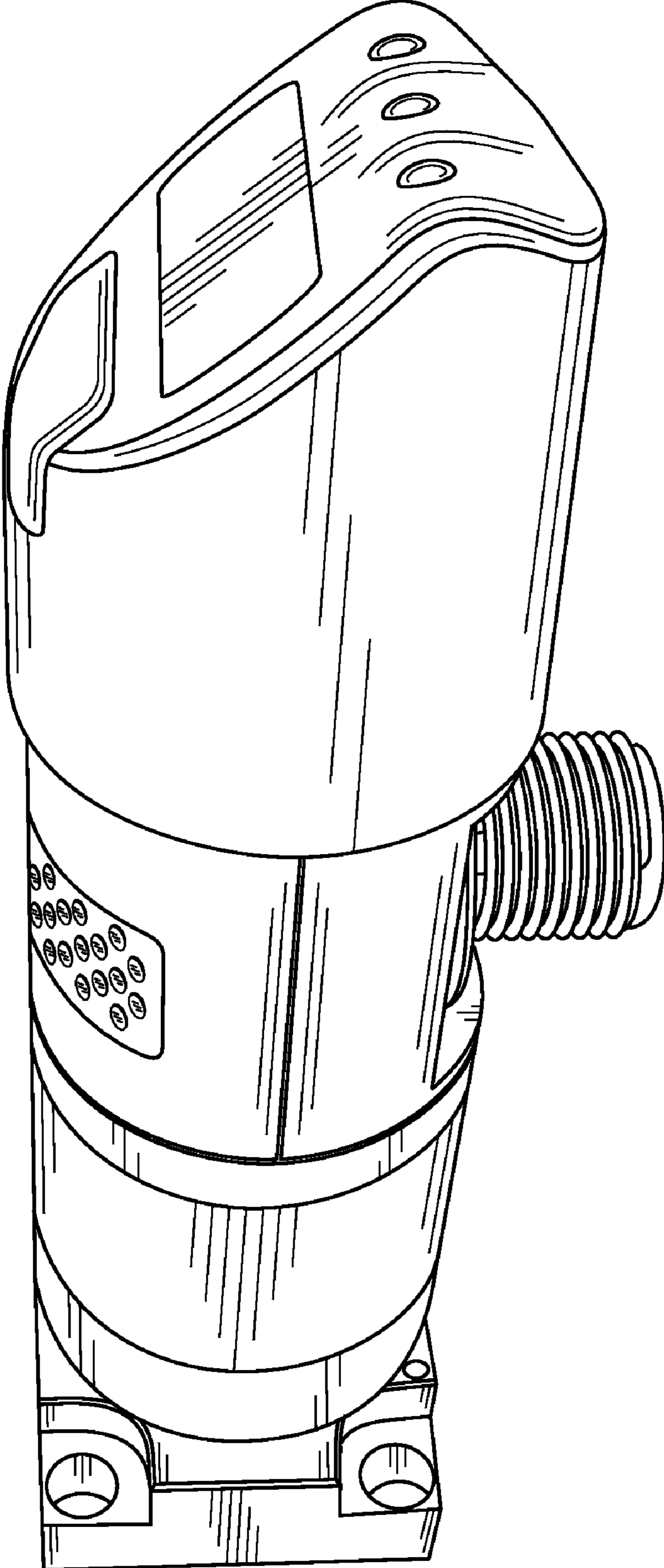


FIG. 4

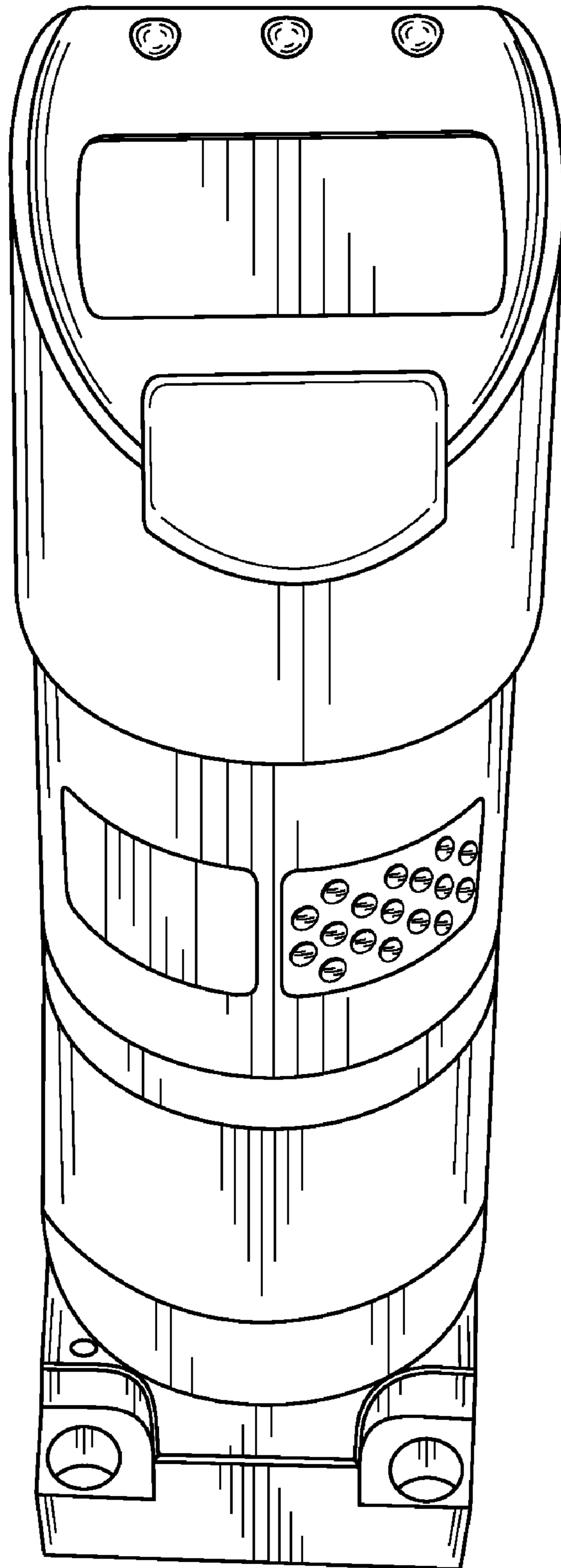


FIG. 5

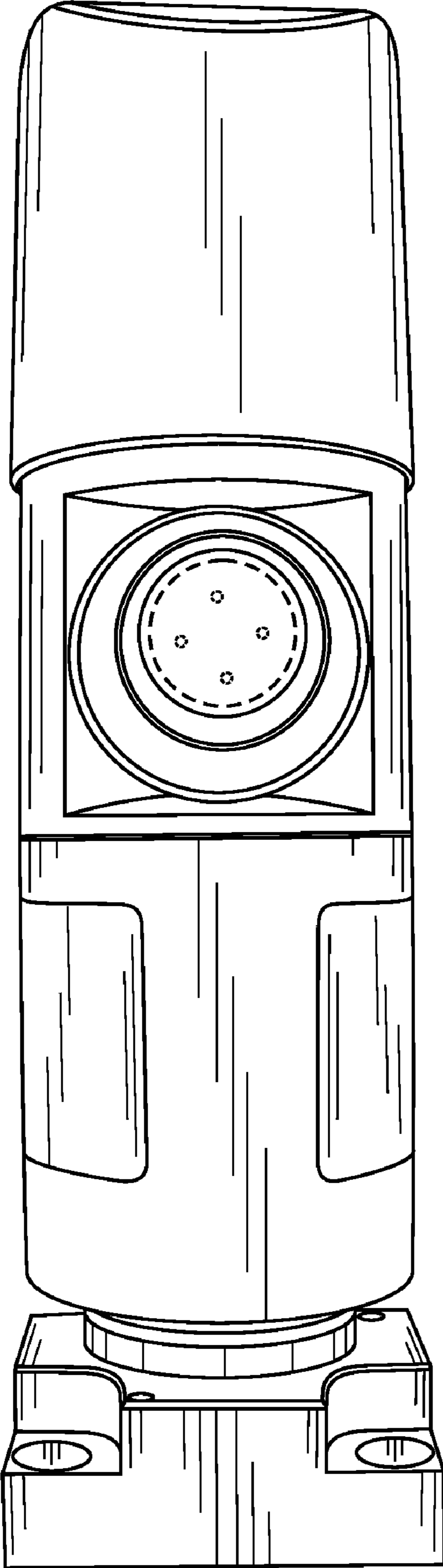


FIG. 6

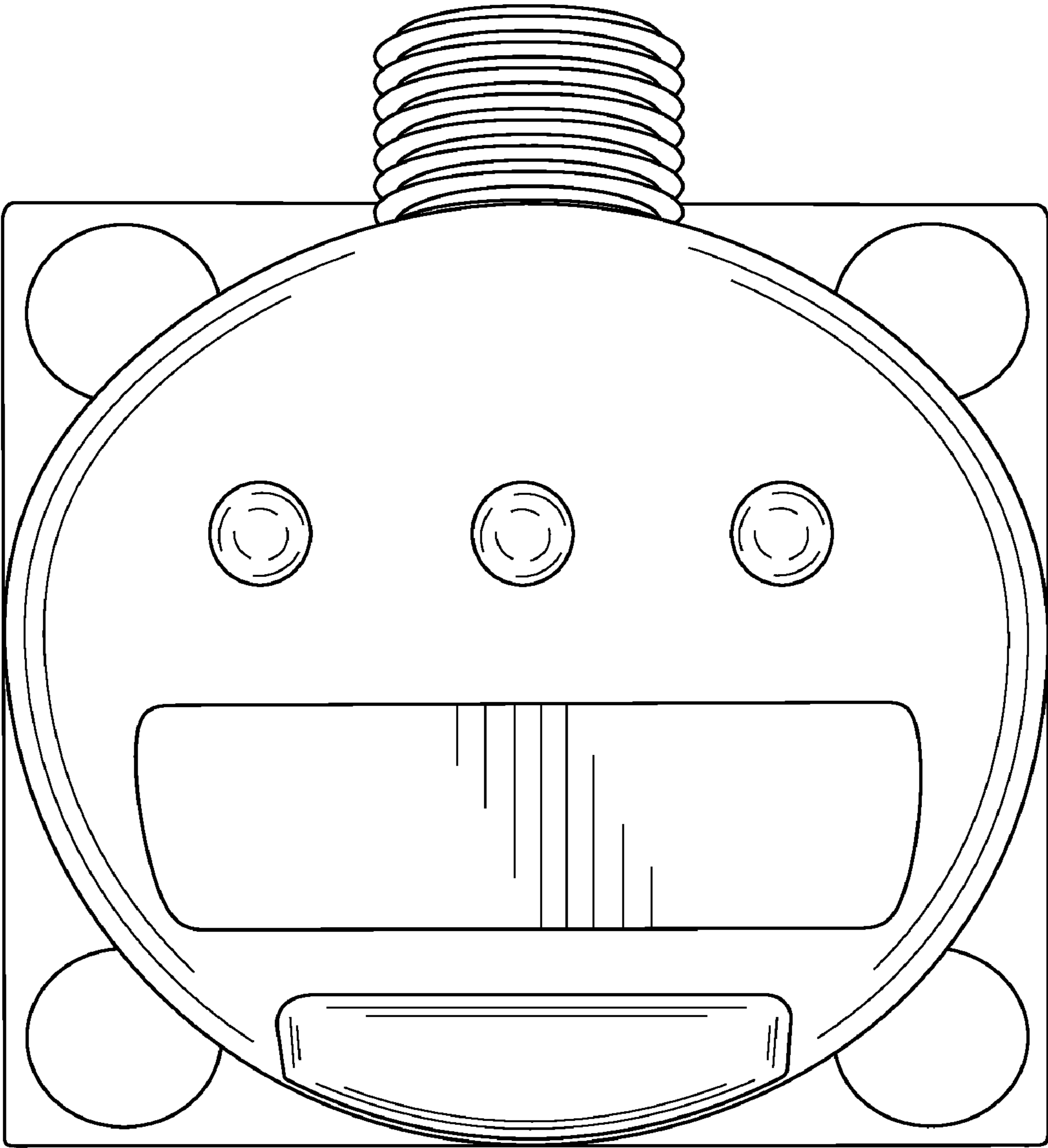


FIG. 7