



US00D651180S

(12) **United States Design Patent**
Lee et al.

(10) **Patent No.:** **US D651,180 S**
(45) **Date of Patent:** **** Dec. 27, 2011**

- (54) **CABLE SPLITTER**
- (75) Inventors: **Noel Lee**, Las Vegas, NV (US); **Jacky Hsiung**, San Jose, CA (US)
- (73) Assignee: **Monster Cable Products, Inc.**, Brisbane, CA (US)
- (**) Term: **14 Years**
- (21) Appl. No.: **29/353,177**
- (22) Filed: **Jan. 4, 2010**
- (51) **LOC (9) Cl.** **13-03**
- (52) **U.S. Cl.** **D13/154; D14/205**
- (58) **Field of Classification Search** D13/133, D13/154, 156, 184, 199; D14/205, 221, D14/223, 228, 238.1; 379/430-431; 381/380; 439/892, 894, 901
See application file for complete search history.

- D599,779 S * 9/2009 Ando D14/205
- D604,253 S * 11/2009 Andre et al. D13/154
- D641,737 S * 7/2011 Krauss et al. D14/223
- D643,404 S * 8/2011 Lee et al. D14/205
- 2010/0027831 A1 2/2010 Lee et al.

* cited by examiner

Primary Examiner — Daniel Bui

(74) *Attorney, Agent, or Firm* — LaRiviere, Grubman & Payne, LLP

(57) **CLAIM**

The ornamental design for a cable splitter, as shown and described.

DESCRIPTION

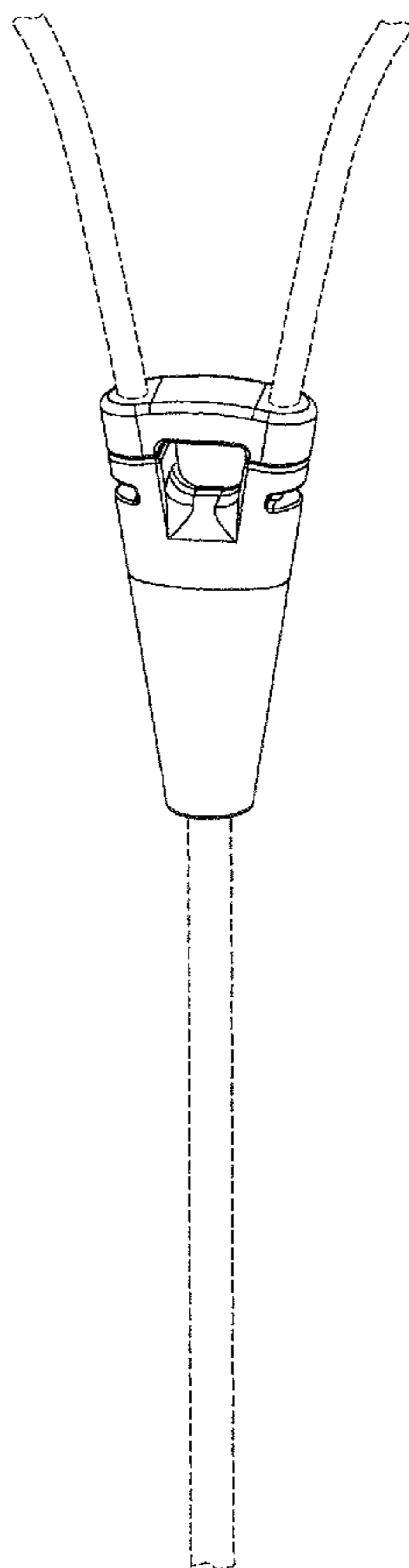
FIG. 1 is a perspective view of a cable splitter, showing our design;
 FIG. 2 is a front view thereof;
 FIG. 3 is a rear view thereof;
 FIG. 4 is a side view thereof;
 FIG. 5 is an opposing side view thereof;
 FIG. 6 is a top view thereof; and,
 FIG. 7 is a bottom view thereof.
 The broken lines showing the environment are for illustrative purposes only and form no part of the claimed design.

1 Claim, 4 Drawing Sheets

(56) **References Cited**

U.S. PATENT DOCUMENTS

- 5,117,479 A * 5/1992 Erdman et al. 385/136
- D561,112 S * 2/2008 Victor D13/154
- D569,841 S * 5/2008 Chung et al. D14/205
- D591,264 S * 4/2009 Hong et al. D14/205
- D599,778 S * 9/2009 Ando D14/205



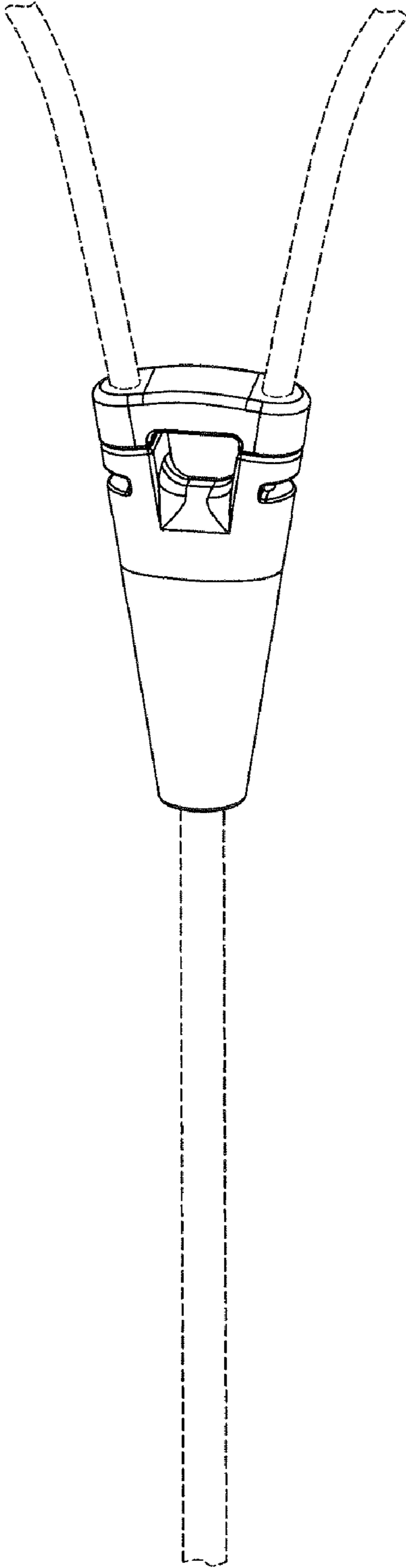


Figure 1

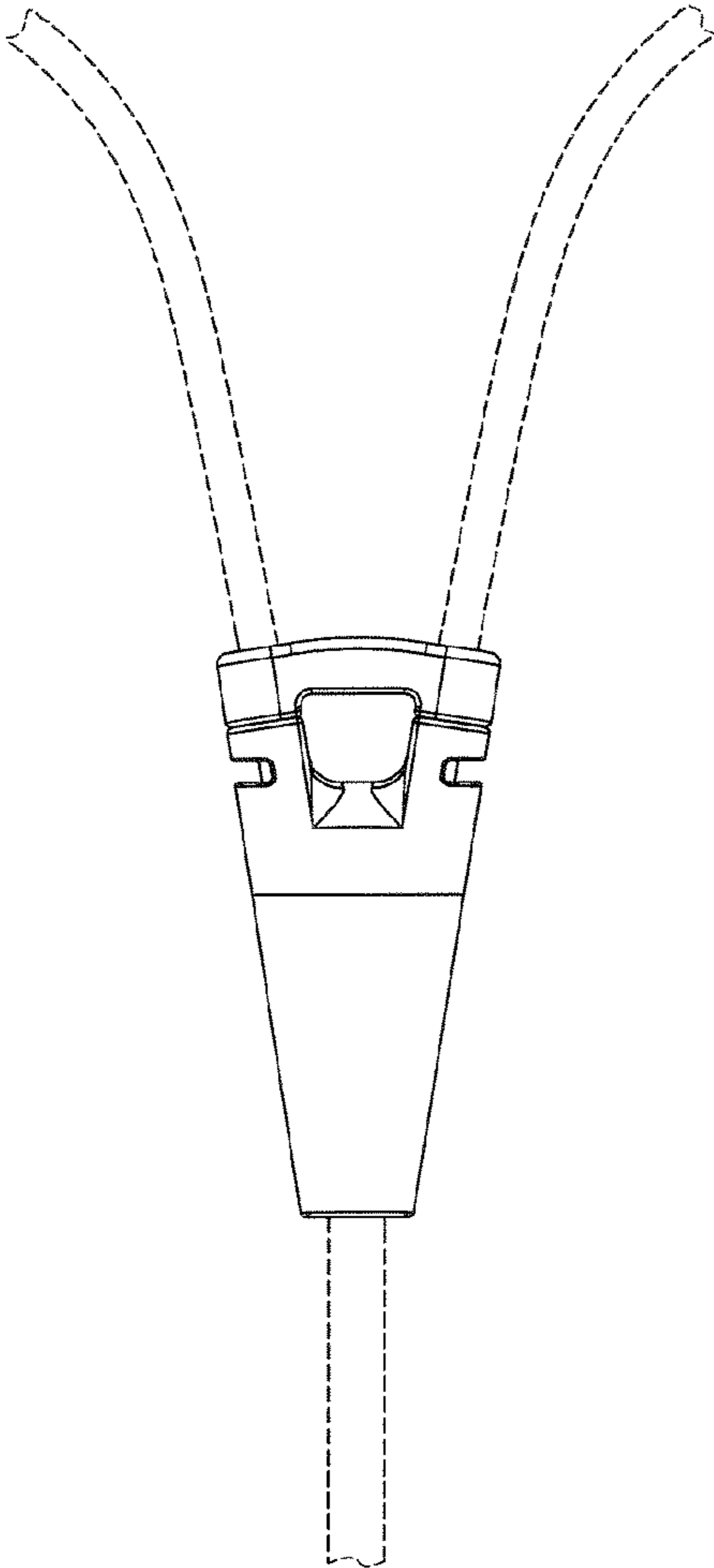


Figure 2

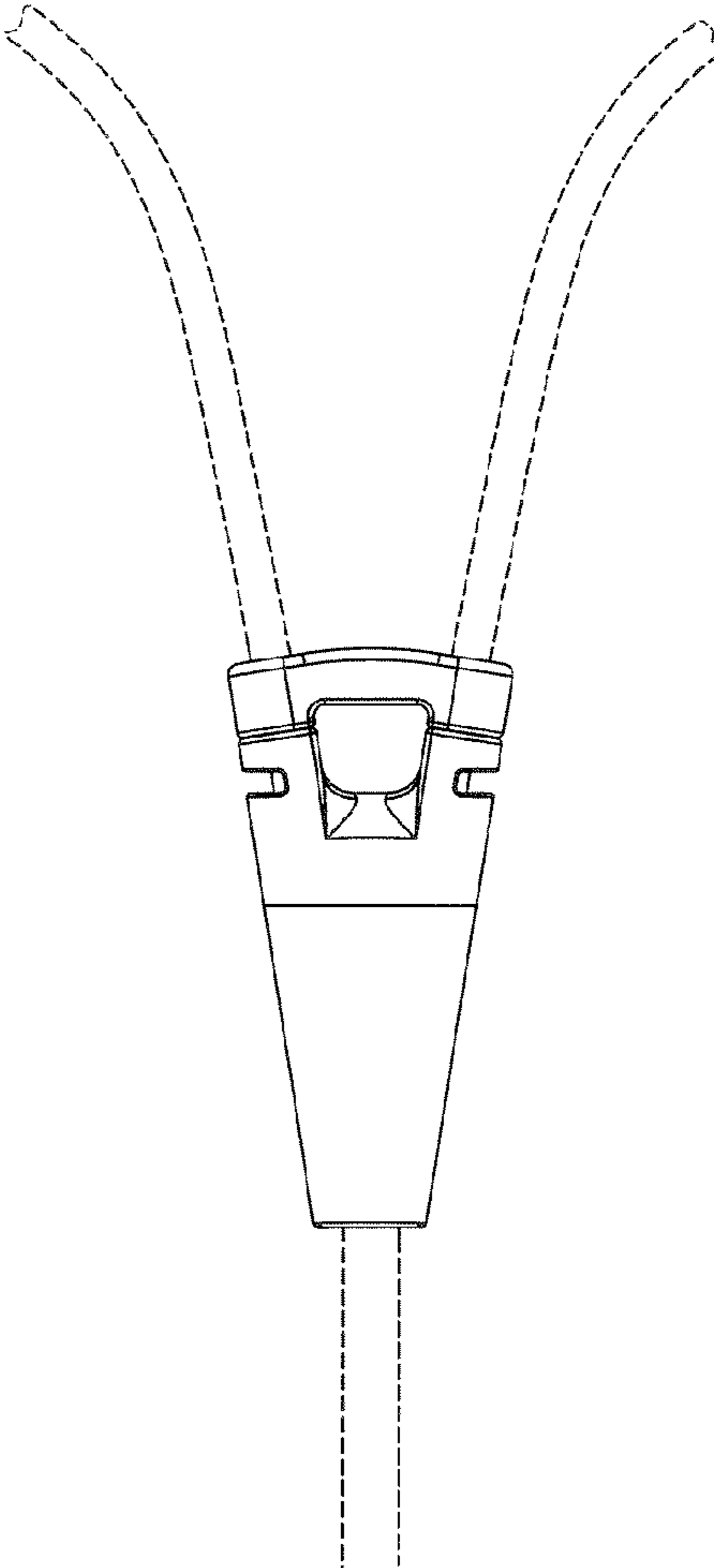


Figure 3



Figure 4

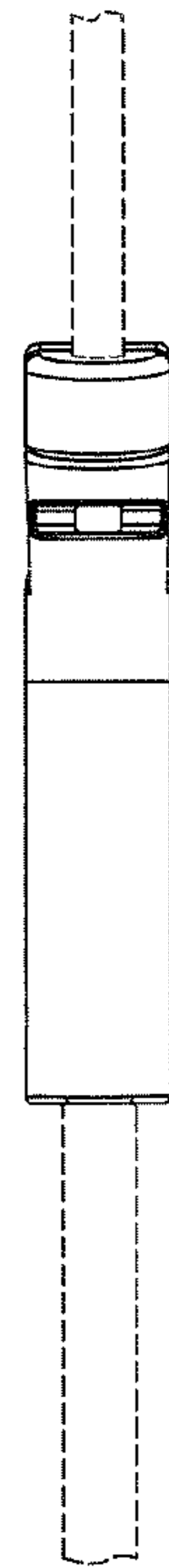


Figure 5

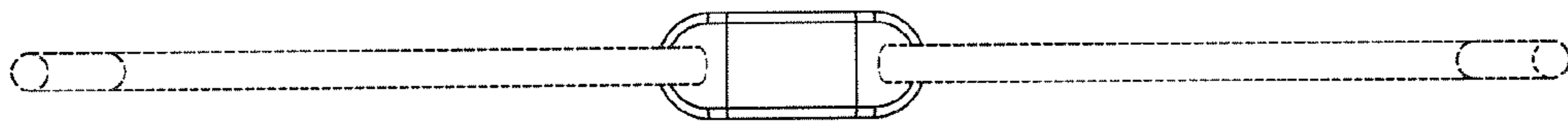


Figure 6



Figure 7