



US00D651179S

(12) **United States Design Patent**  
**Browder**

(10) **Patent No.:** **US D651,179 S**

(45) **Date of Patent:** **\*\* Dec. 27, 2011**

(54) **3-PRONG COMPRESSION CONNECTOR**

(75) Inventor: **John H. Browder**, Roanoke, TX (US)

(73) Assignee: **International Development LLC**,  
Roanoke, TX (US)

(\*\*) Term: **14 Years**

(21) Appl. No.: **29/378,696**

(22) Filed: **Nov. 8, 2010**

**Related U.S. Application Data**

(63) Continuation-in-part of application No. 12/542,600,  
filed on Aug. 17, 2009.

(51) **LOC (9) Cl.** ..... **13-03**

(52) **U.S. Cl.** ..... **D13/149**

(58) **Field of Classification Search** ..... D13/133,  
D13/146, 147, 151, 153, 154, 184, 199; 439/409,  
439/412, 417, 441, 709, 715, 716, 717, 721,  
439/729, 835, 260, 329, 492, 495, 570, 68,  
439/73, 135, 331, 526, 862

See application file for complete search history.

(56) **References Cited**

**U.S. PATENT DOCUMENTS**

4,870,721	A *	10/1989	Cohen	.....	24/16 PB
6,261,119	B1 *	7/2001	Green	.....	439/425
6,361,353	B1 *	3/2002	Saka et al.	.....	439/405
6,657,127	B2 *	12/2003	Saito	.....	174/84 C
D499,330	S *	12/2004	Peato	.....	D8/383
D530,676	S *	10/2006	Schemm et al.	.....	D13/149
D577,672	S *	9/2008	Yao et al.	.....	D13/133

D588,996	S *	3/2009	Grimm	.....	D13/149
D603,340	S *	11/2009	Grimm	.....	D13/149
D621,366	S *	8/2010	Browder	.....	D13/149
7,824,191	B1 *	11/2010	Browder	.....	439/76.1
2011/0036386	A1 *	2/2011	Browder	.....	136/244

\* cited by examiner

*Primary Examiner* — Thomas Johannes

(74) *Attorney, Agent, or Firm* — Brian Harris

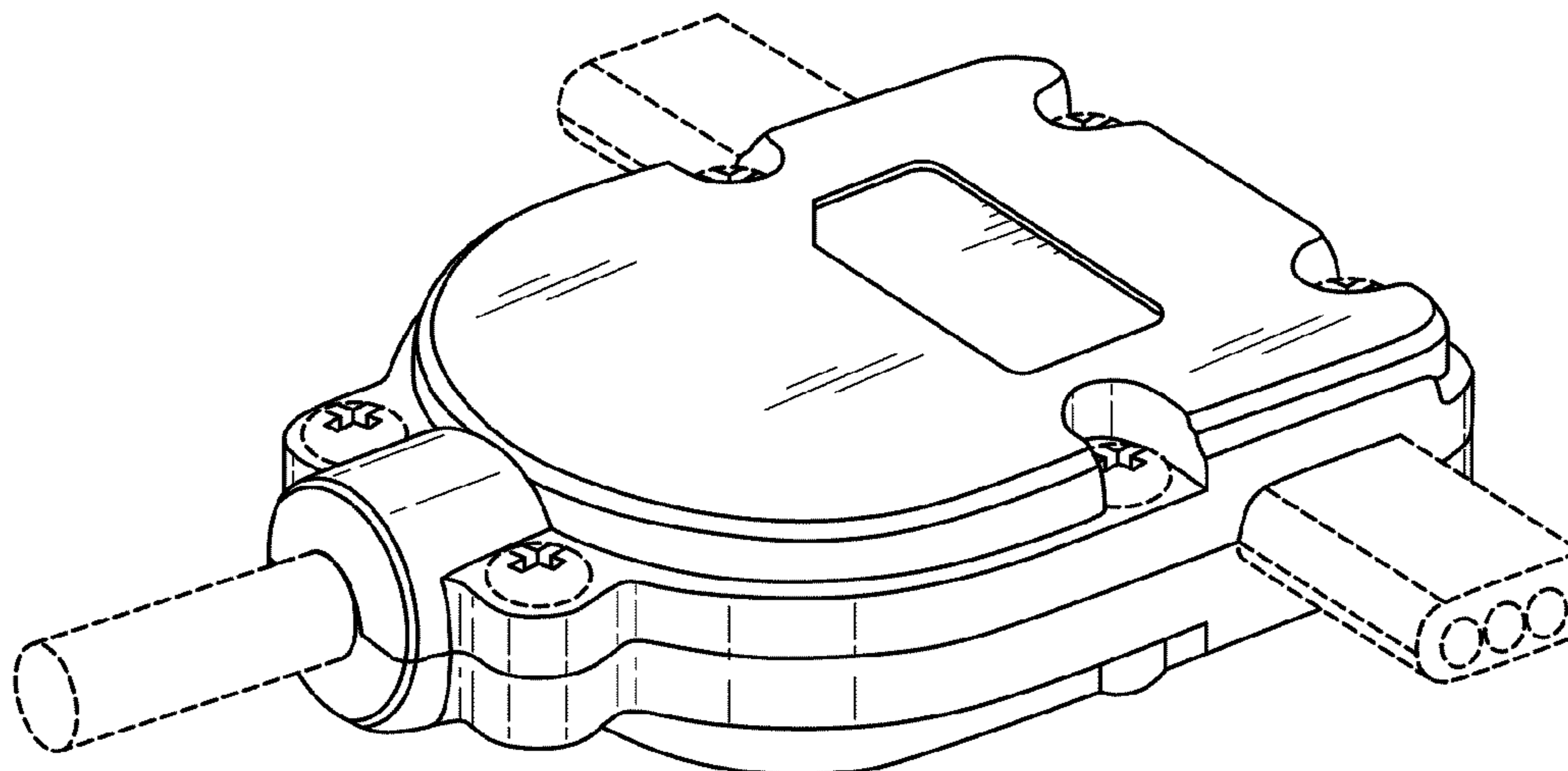
(57) **CLAIM**

The ornamental design for a 3-prong compression connector,  
as shown and described.

**DESCRIPTION**

FIG. 1 is a perspective view of the 3-prong compression connector of the present invention in a closed position;  
 FIG. 2 is a perspective view of the 3-prong compression connector of the present invention in an opened position;  
 FIG. 3 is a left side elevation view thereof in a closed position;  
 FIG. 4 is a right side elevation view thereof in a closed position;  
 FIG. 5 is a bottom plan view thereof;  
 FIG. 6 is a top plan view thereof;  
 FIG. 7 is a rear elevation view thereof in a closed position;  
 and,  
 FIG. 8 is a front elevation view thereof in a closed position.  
 The broken lines are shown in the views show unclaimed subject matter only and form no part of the claimed design.

**1 Claim, 5 Drawing Sheets**



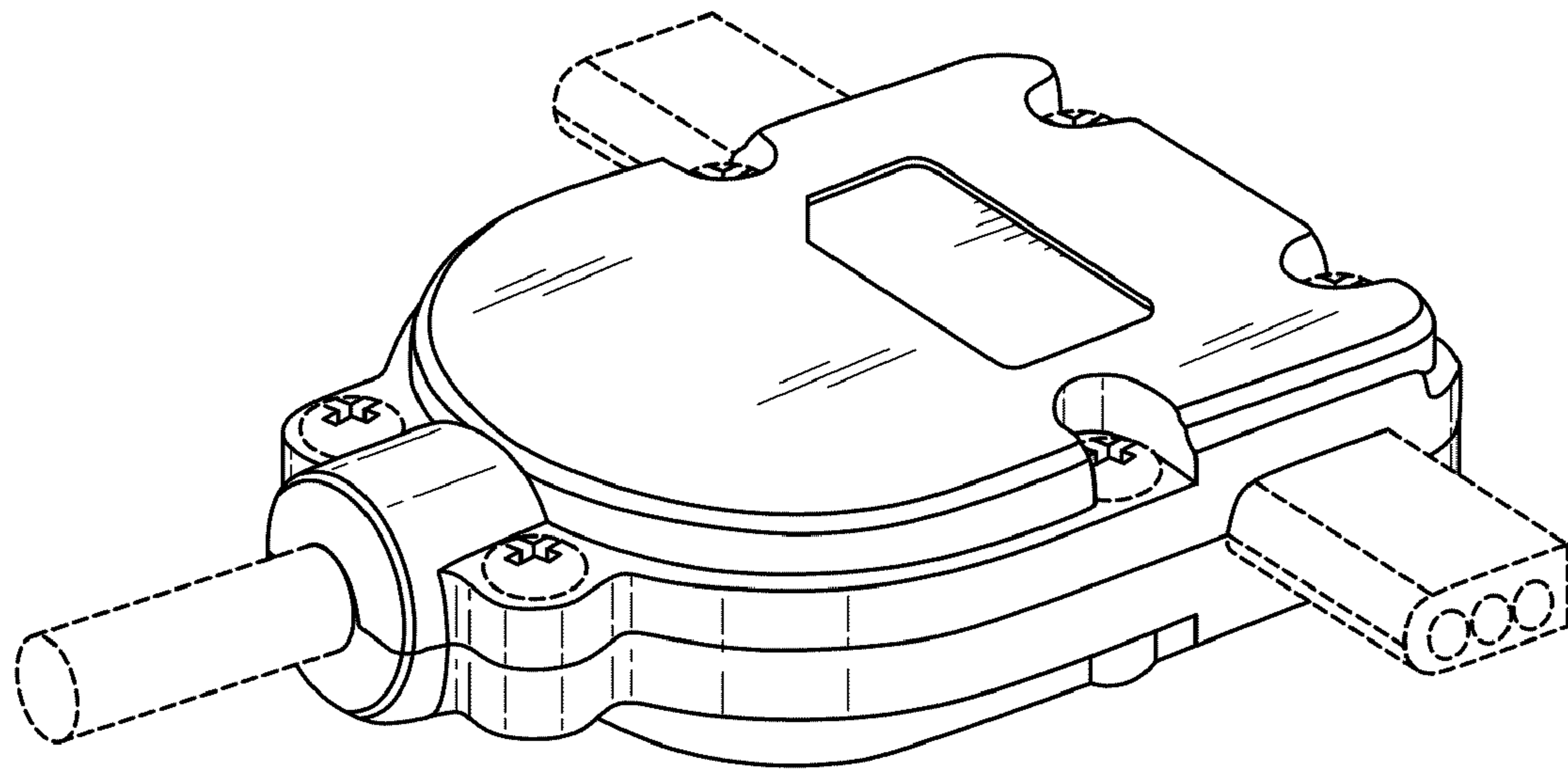


FIG. 1

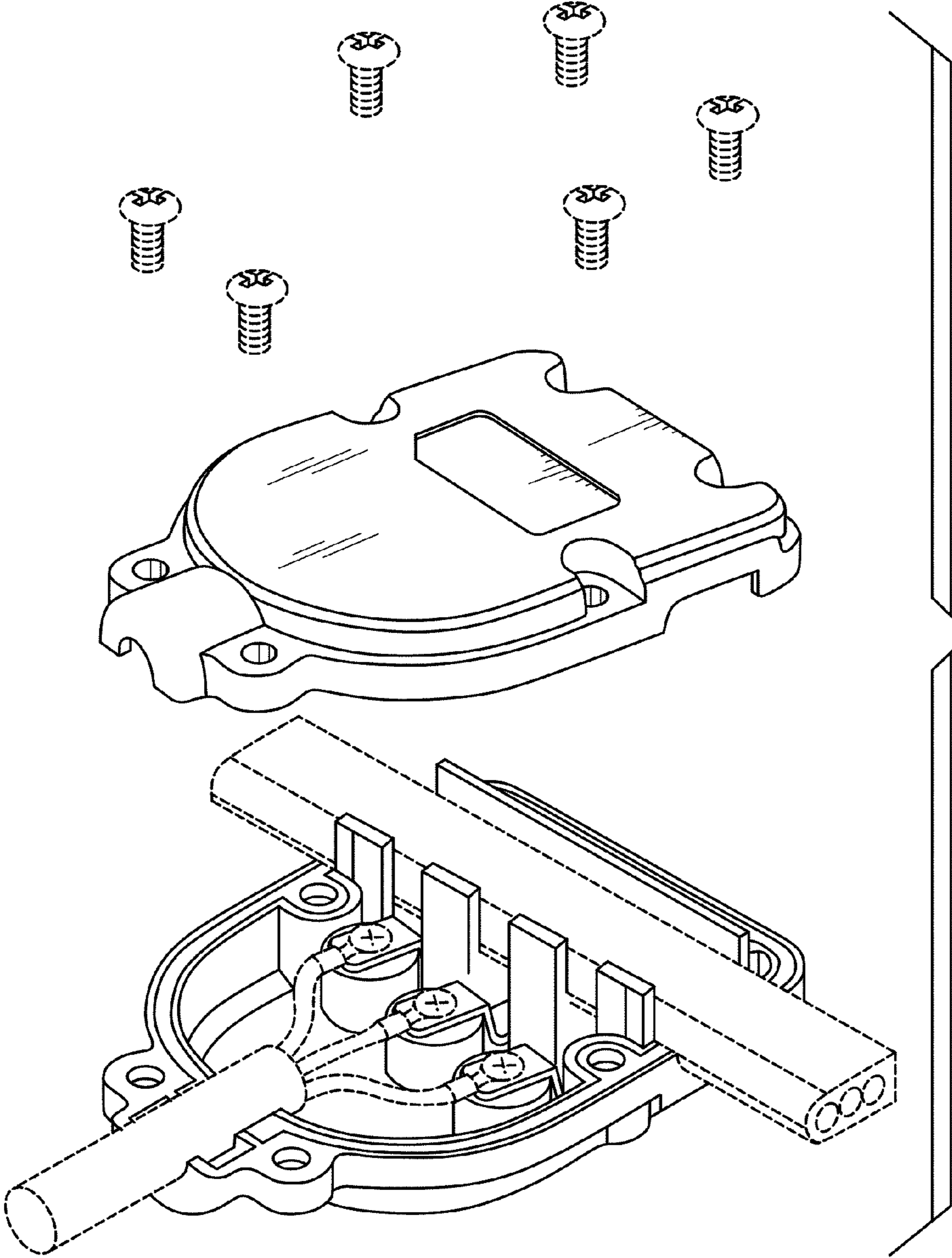
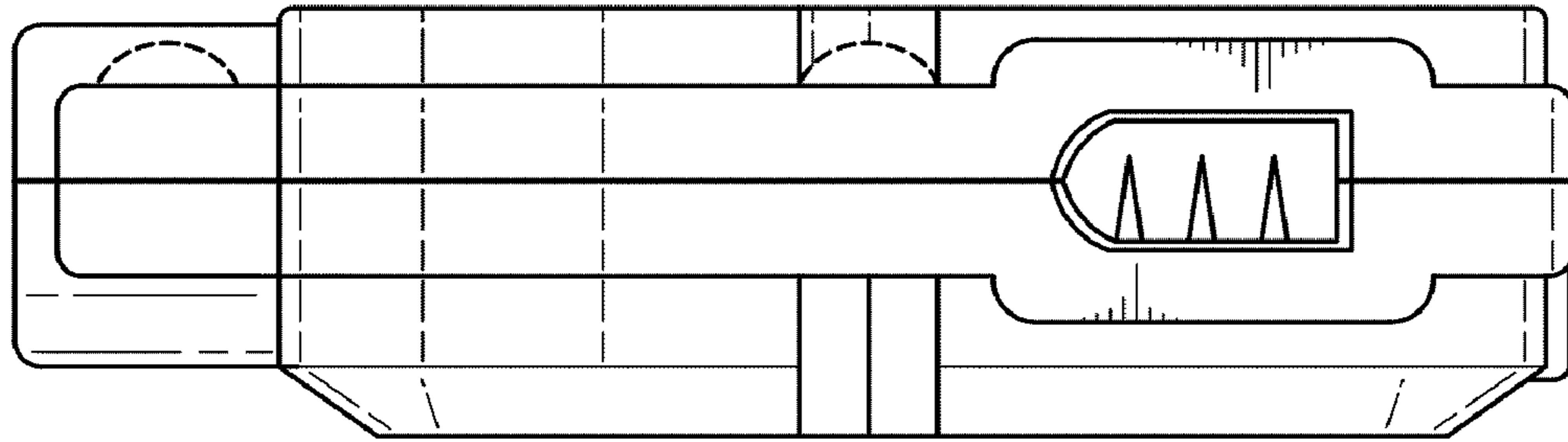
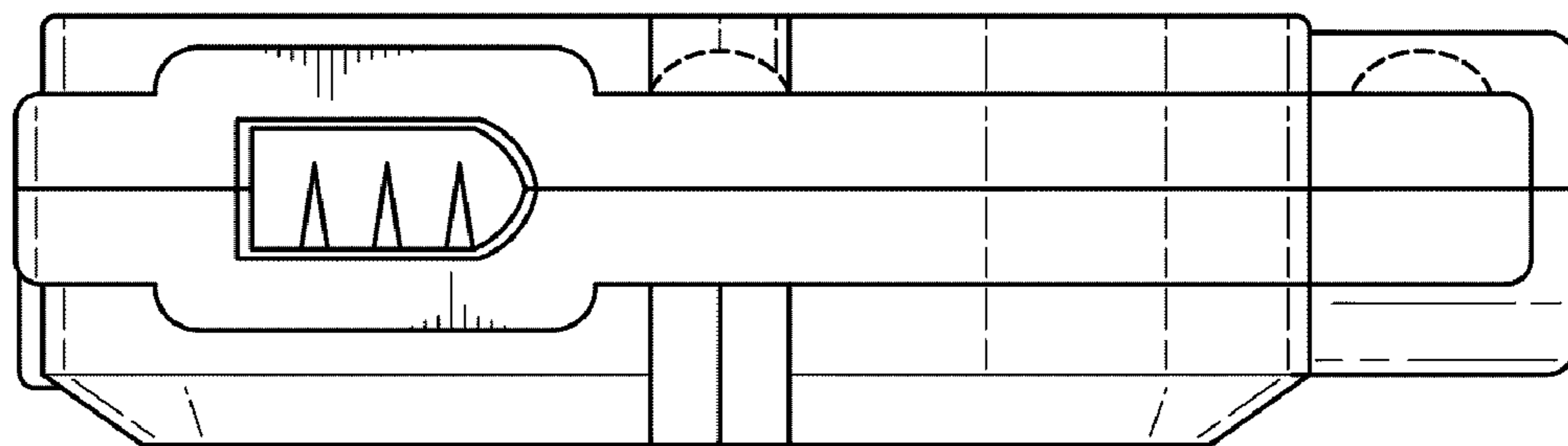


FIG. 2



*FIG. 3*



*FIG. 4*

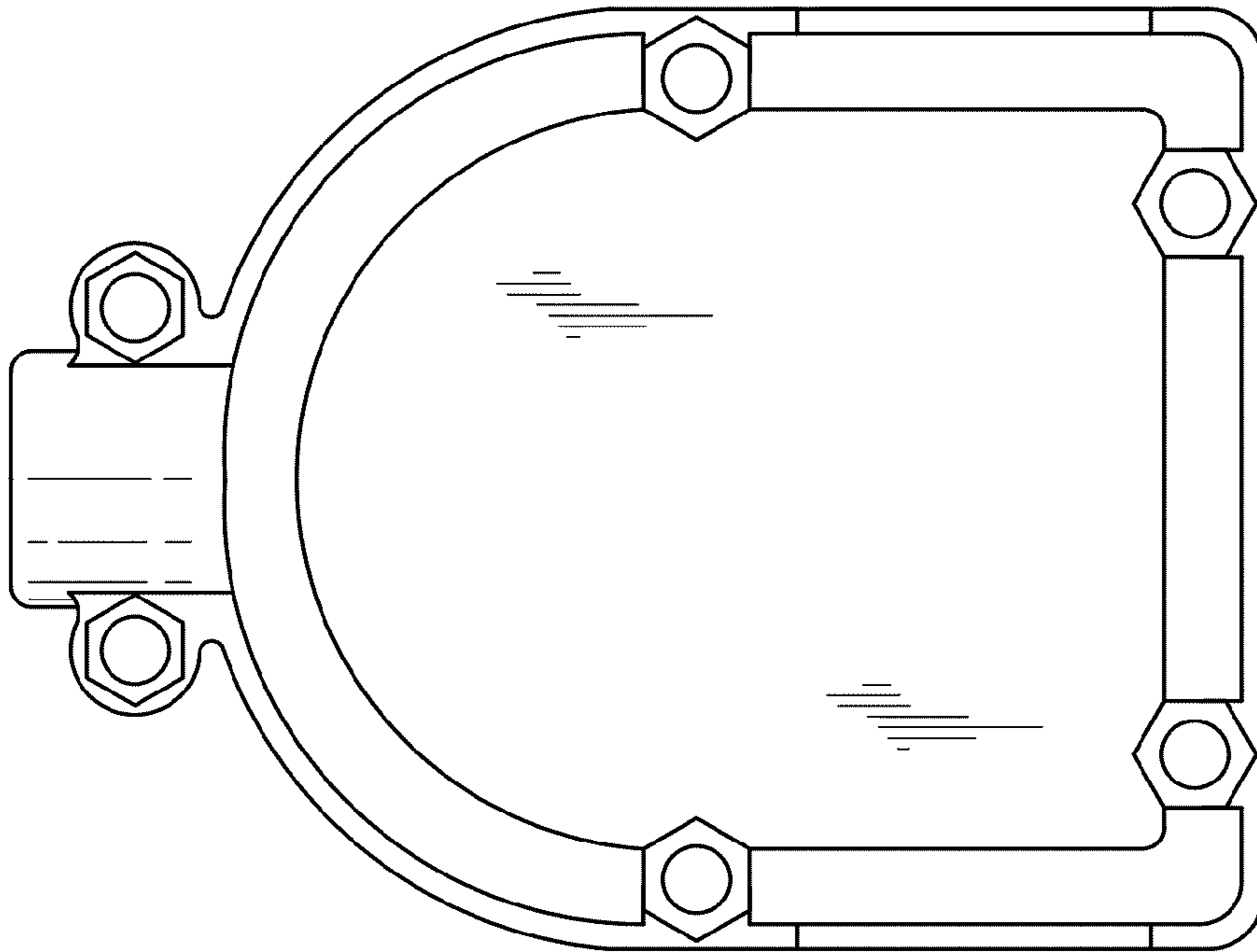


FIG. 5

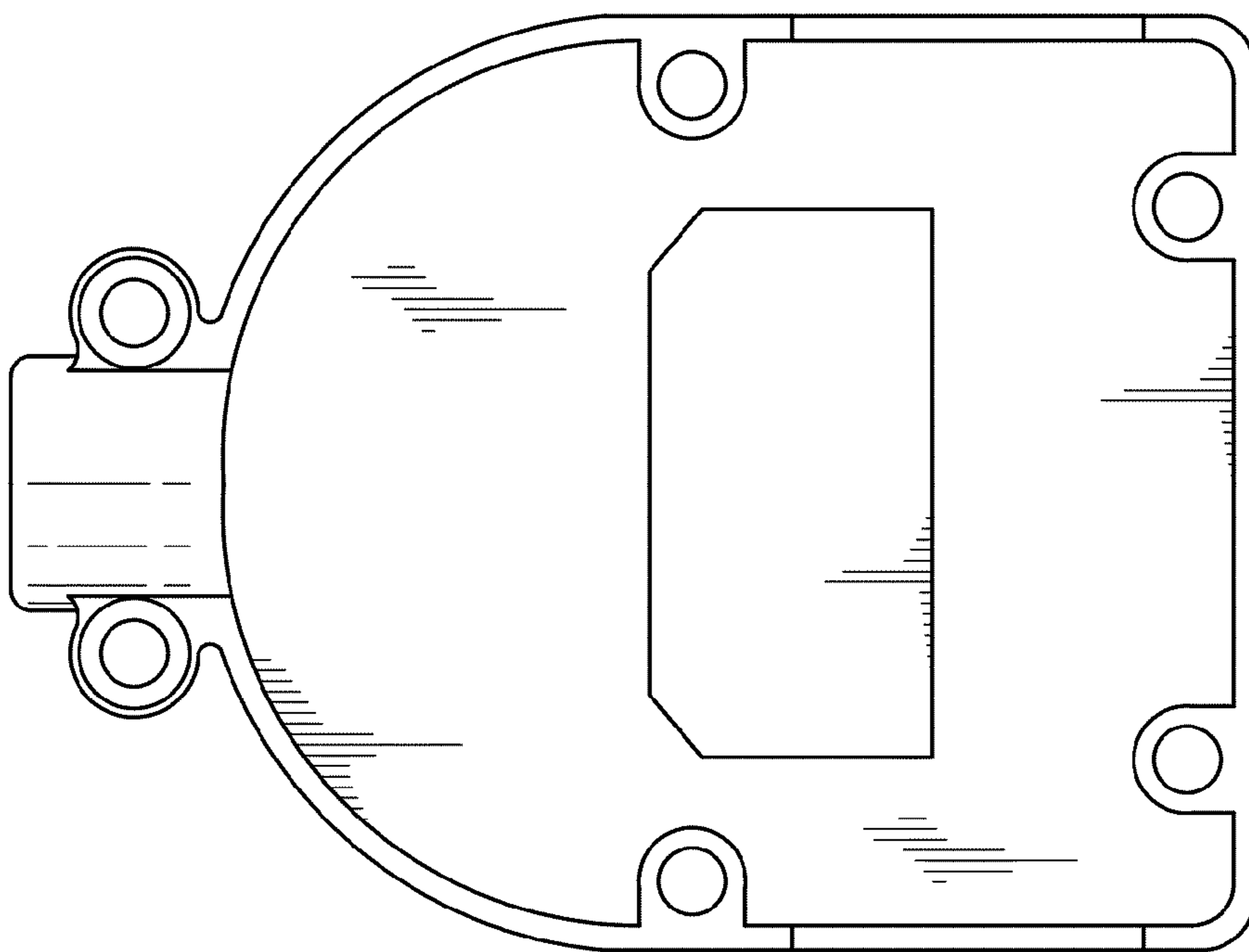
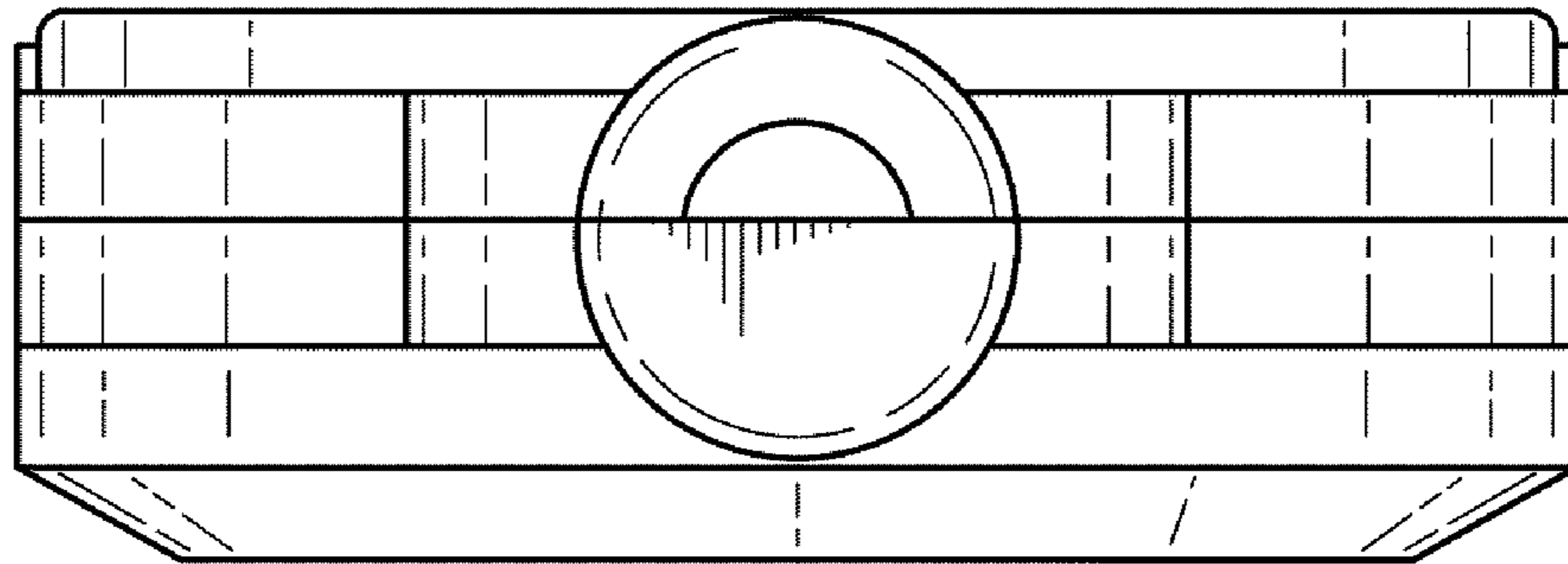
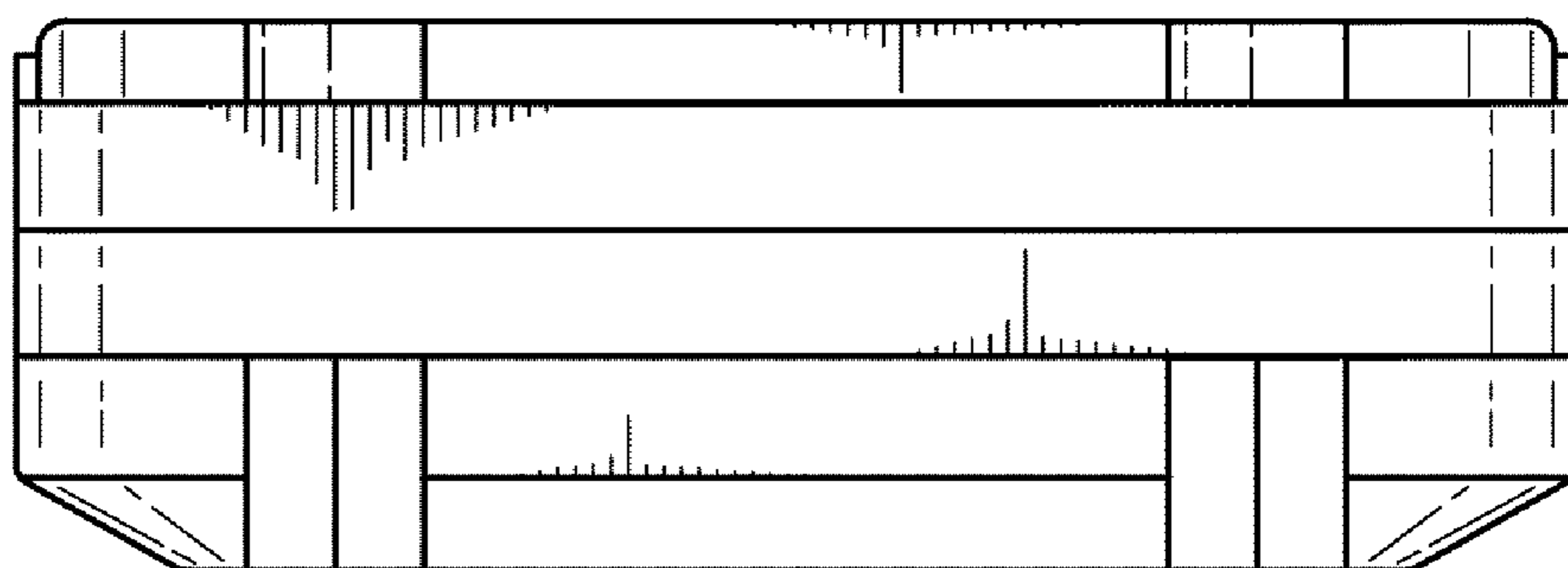


FIG. 6



*FIG. 7*



*FIG. 8*